



US00D698153S

(12) **United States Design Patent**
Santy

(10) **Patent No.:** **US D698,153 S**
(45) **Date of Patent:** **** Jan. 28, 2014**

(54) **LUGGAGE WHEEL HOUSING**

D491,365 S 6/2004 Proot
D539,543 S 4/2007 Wu
2008/0078637 A1 4/2008 Su

(75) Inventor: **Dirk Santy**, Koekelare (BE)

FOREIGN PATENT DOCUMENTS

(73) Assignee: **Samsonite IP Holdings S.a.r.l.**,
Luxembourg (LU)

GB 2438189 A 11/2007

(**) Term: **14 Years**

OTHER PUBLICATIONS

(21) Appl. No.: **29/420,378**

U.S. Appl. No. 29/420,376, filed May 8, 2012, Santy, Dirk.

(22) Filed: **May 8, 2012**

* cited by examiner

(30) **Foreign Application Priority Data**

Primary Examiner — Sandra Snapp

Nov. 15, 2011 (EM) 001947847-0002

(74) *Attorney, Agent, or Firm* — Dorsey & Whitney LLP

(51) **LOC (10) Cl.** **03-01**

(57) **CLAIM**

The ornamental design for a luggage wheel housing, as shown and described.

(52) **U.S. Cl.**

USPC **D3/318**

DESCRIPTION

(58) **Field of Classification Search**

USPC D3/279, 299, 301, 303, 318, 319, 273,
D3/289, 292, 294, 295, 296, 228; D9/424,
D9/420; D27/189; 206/349; 220/833;
312/902; 190/100; 150/100, 107, 118

See application file for complete search history.

FIG. 1 shows a front perspective view of a luggage wheel housing;
FIG. 2 shows a right elevation view of the luggage wheel housing of FIG. 1;
FIG. 3 shows a left elevation view of the luggage wheel housing of FIG. 1;
FIG. 4 shows a front elevation view of the luggage wheel housing of FIG. 1;
FIG. 5 shows a rear elevation view of the luggage wheel housing of FIG. 1;
FIG. 6 shows a top view of the luggage wheel housing of FIG. 1; and,
FIG. 7 shows a bottom view of the luggage wheel housing of FIG. 1.

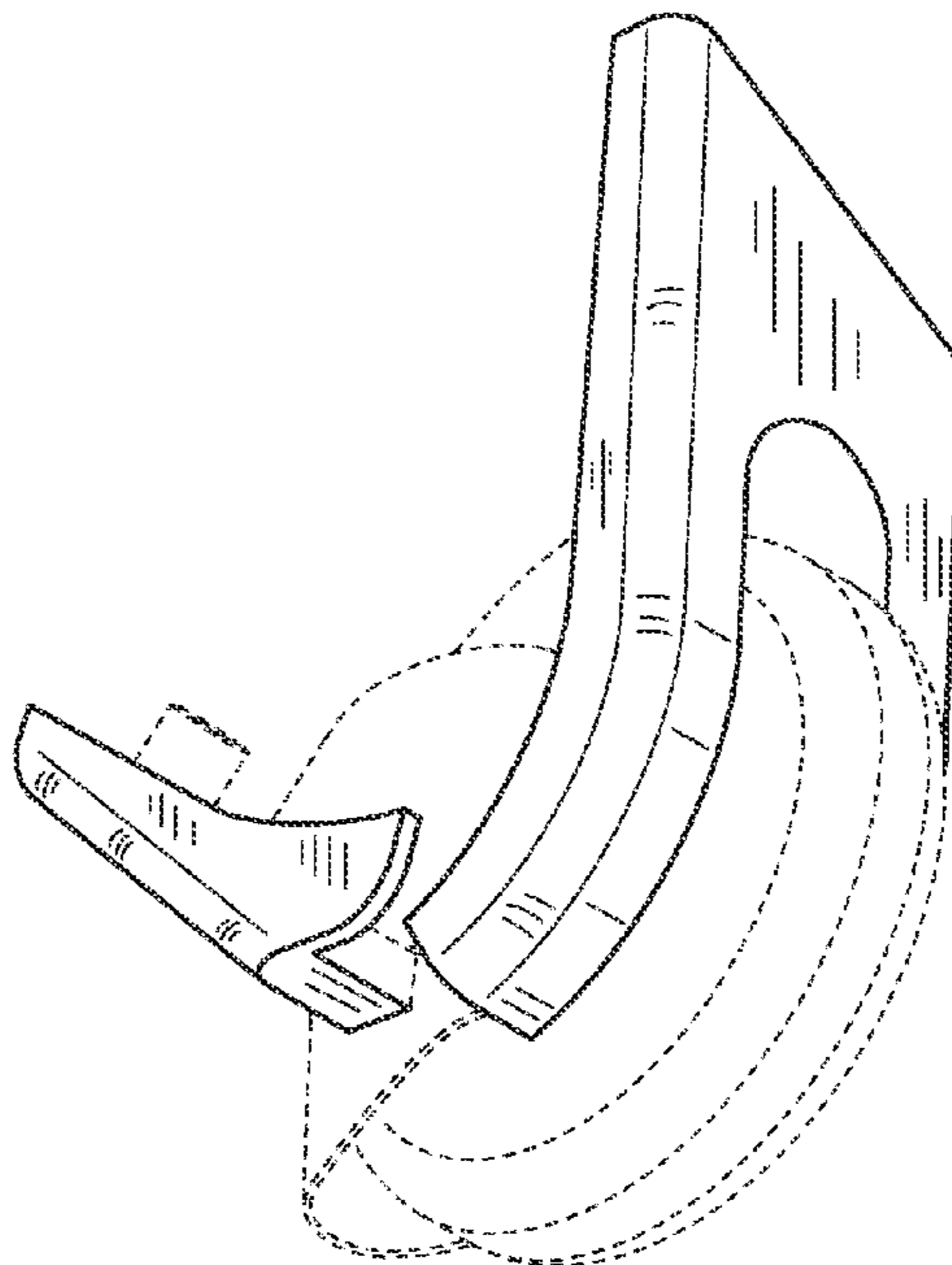
The dashed lines in FIGS. 1-7 show the environment and boundaries of the luggage wheel housing and form no part of the claimed invention.

(56) **References Cited**

U.S. PATENT DOCUMENTS

D375,202 S * 11/1996 Vermillion et al. D3/318
5,575,361 A * 11/1996 Chou 190/18 A
5,794,744 A * 8/1998 Lin 190/18 A
D425,705 S 5/2000 Santy et al.
D430,792 S * 9/2000 Wang D8/375
D439,410 S 3/2001 Chang
6,460,668 B1 * 10/2002 Godshaw et al. 190/18 A

1 Claim, 5 Drawing Sheets



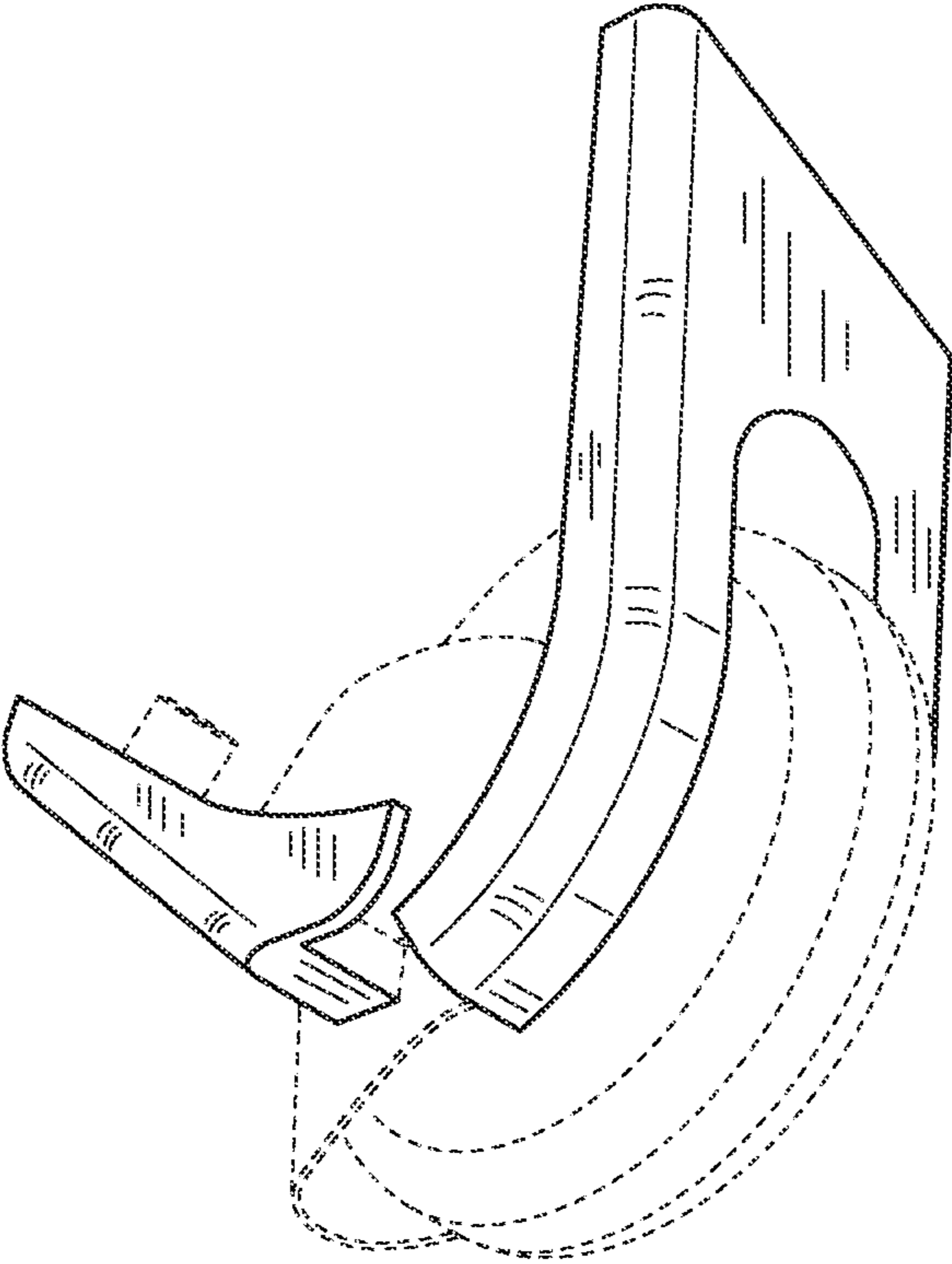


FIG. 1

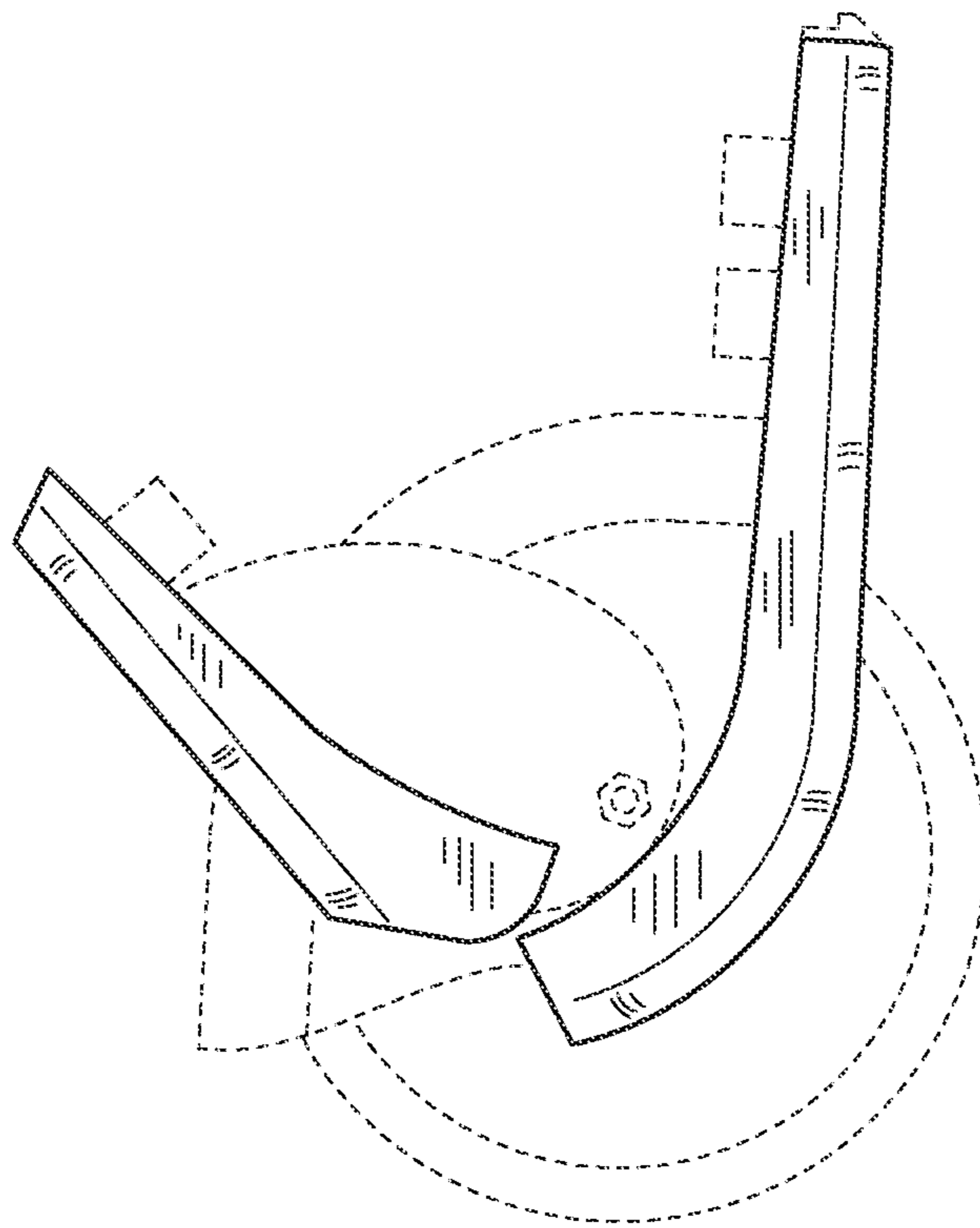


FIG.2

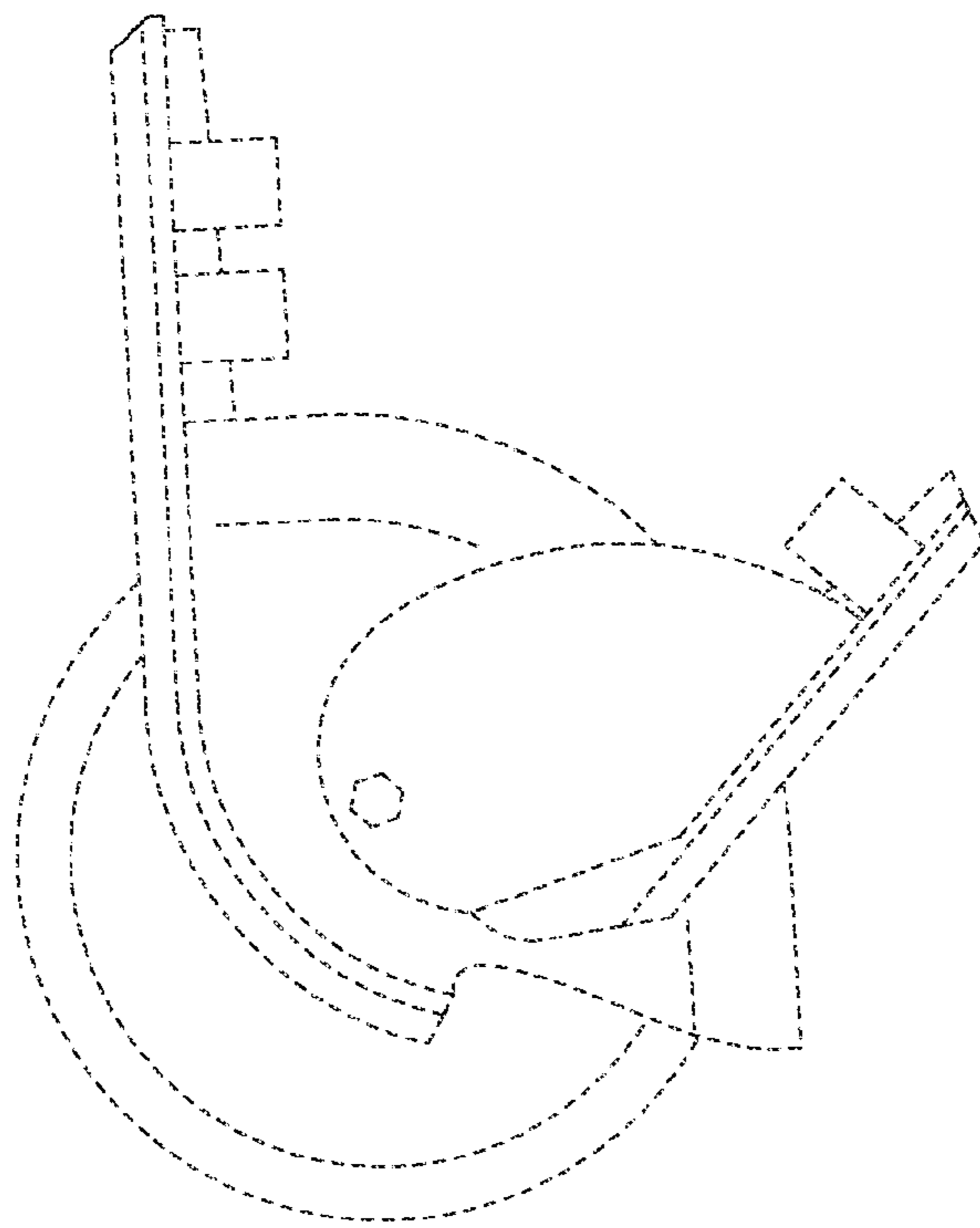


FIG.3

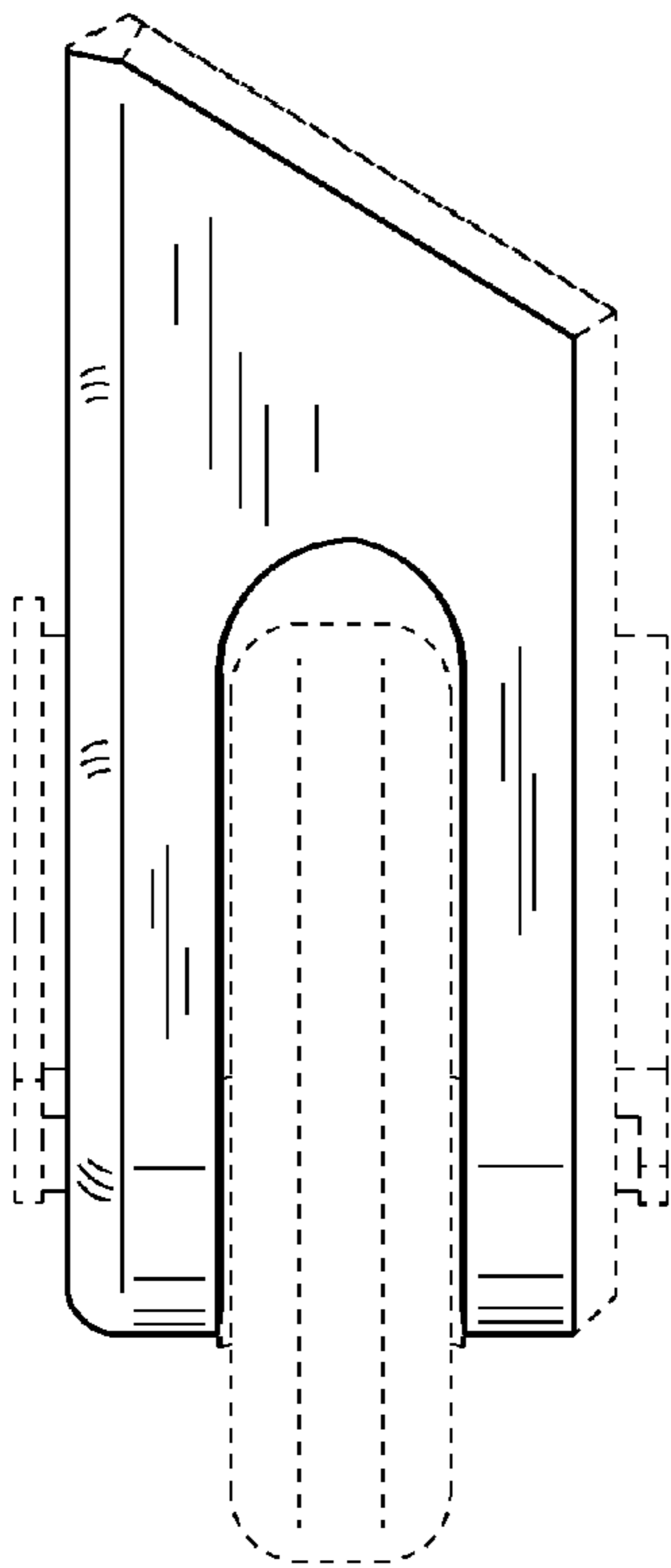


FIG. 4

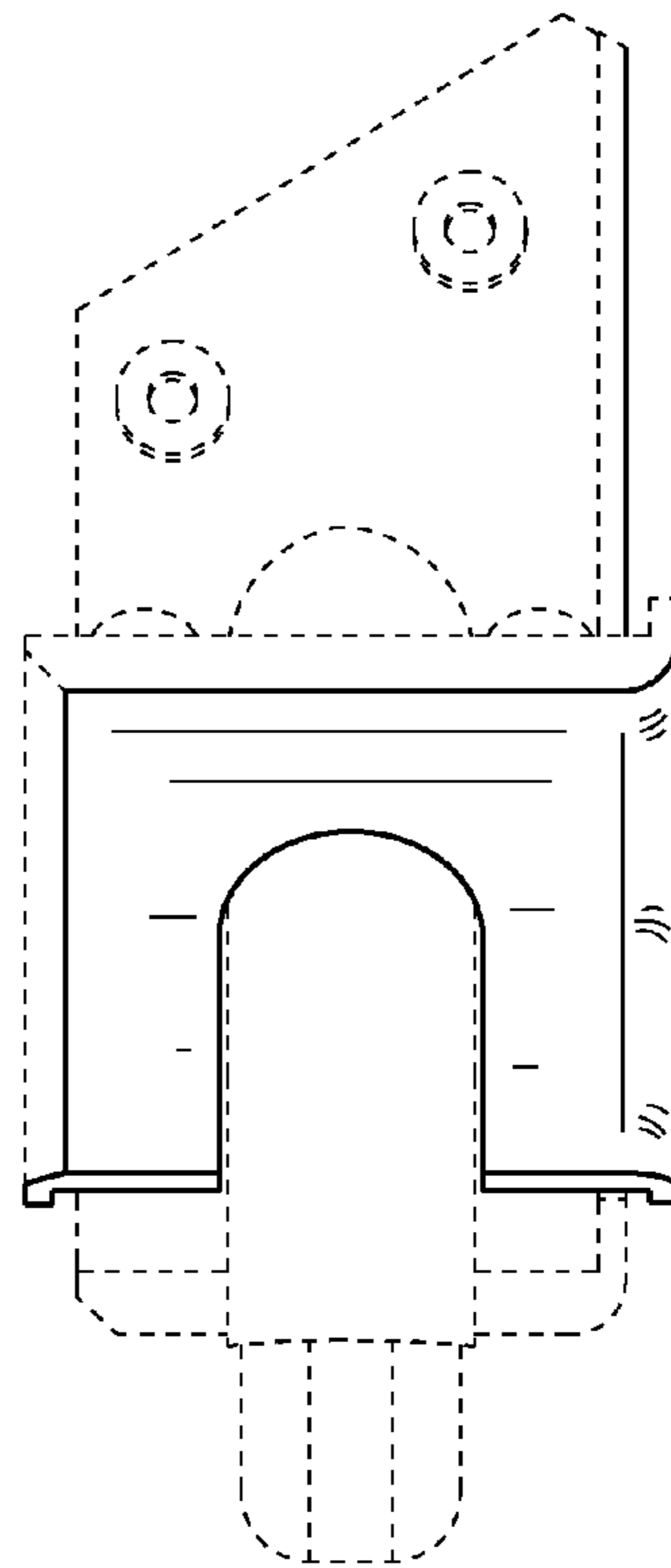


FIG. 5

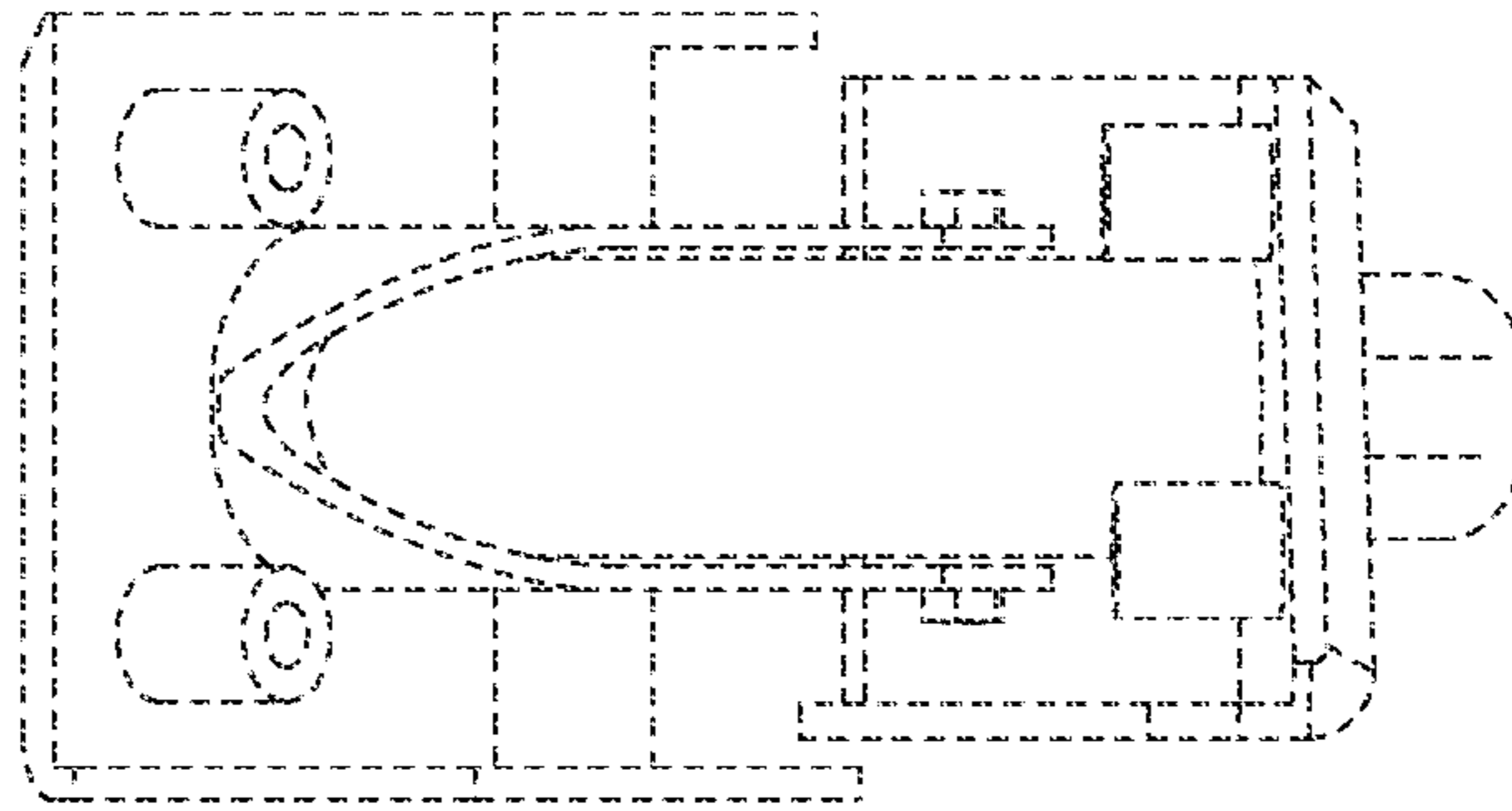


FIG. 6

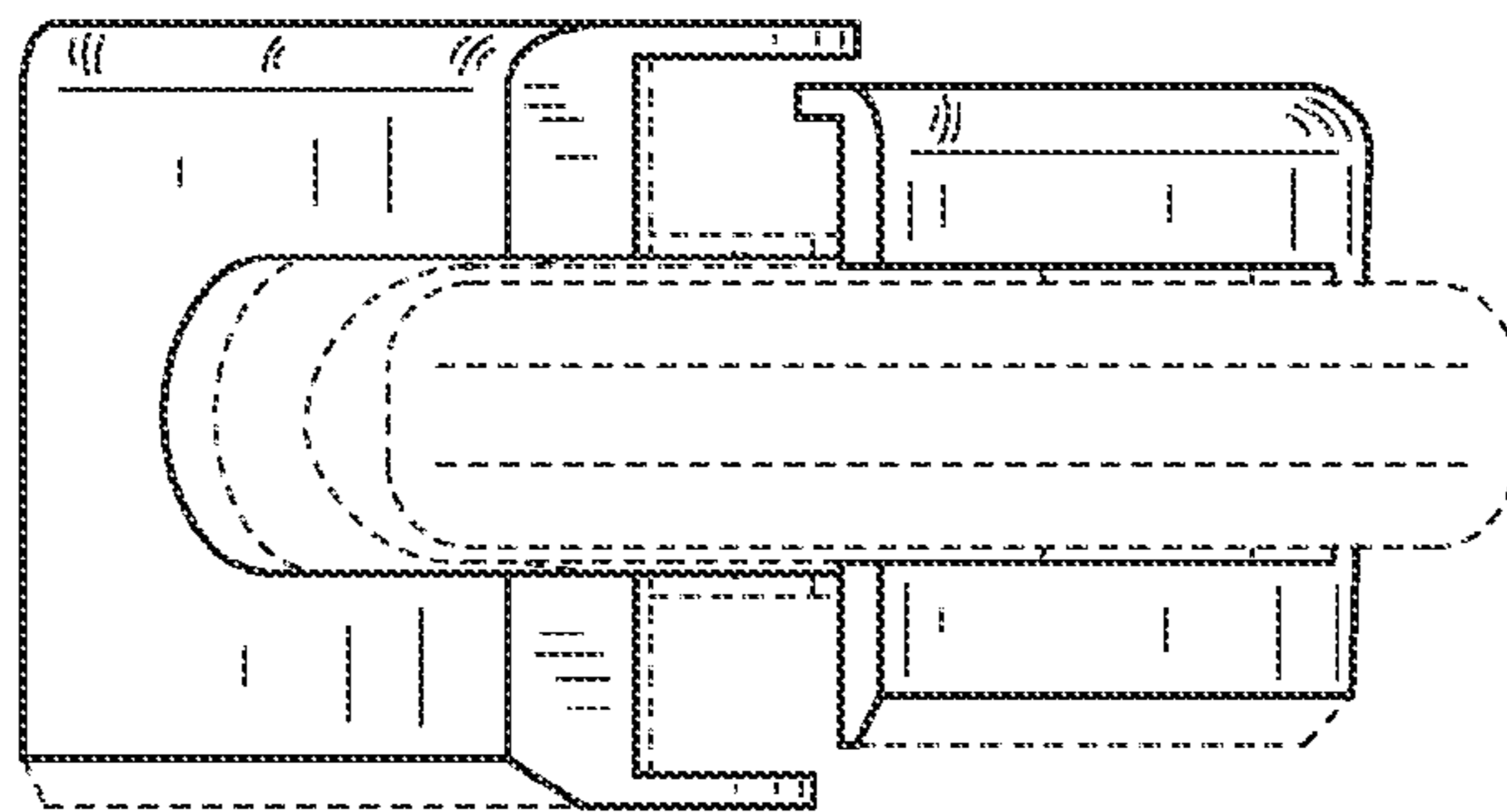


FIG. 7