



US00D698150S

(12) **United States Design Patent**  
**Sabounjian**

(10) **Patent No.:** **US D698,150 S**  
(45) **Date of Patent:** **\*\* Jan. 28, 2014**

- (54) **COLLAPSIBLE CONTAINER**
- (75) Inventor: **Azad Sabounjian**, Irvine, CA (US)
- (73) Assignee: **Pro-Mart Industries, Inc.**, Irvine, CA (US)
- (\*\*) Term: **14 Years**
- (21) Appl. No.: **29/418,418**
- (22) Filed: **Apr. 16, 2012**
- (51) **LOC (10) Cl.** ..... **03-01**
- (52) **U.S. Cl.**  
USPC ..... **D3/285; D3/289**
- (58) **Field of Classification Search**  
USPC ..... D3/273, 276, 280, 283–293, 301, 300,  
D3/294; 190/100–127, 900–903; 150/106,  
150/107, 108, 110, 111, 112, 118; 206/320;  
383/12, 16, 38–40, 104, 907; 220/6,  
220/9.1–9.4  
See application file for complete search history.

D438,009 S 2/2001 Kellogg et al.  
6,220,998 B1 4/2001 Kellogg et al.  
D449,447 S 10/2001 Kellogg et al.

(Continued)

**OTHER PUBLICATIONS**

Design U.S. Appl. No. 29/390,322, filed Apr. 22, 2011, for a Collapsible Container With Pockets, First named inventor Azad Sabounjian, Assigned to Pro-Mart Industries, Inc.

(Continued)

*Primary Examiner* — Jennifer Rivard

(74) *Attorney, Agent, or Firm* — Stetina Brunda Garred & Brucker; Lowell Anderson

(57) **CLAIM**

The ornamental design for a collapsible container, as shown and described.

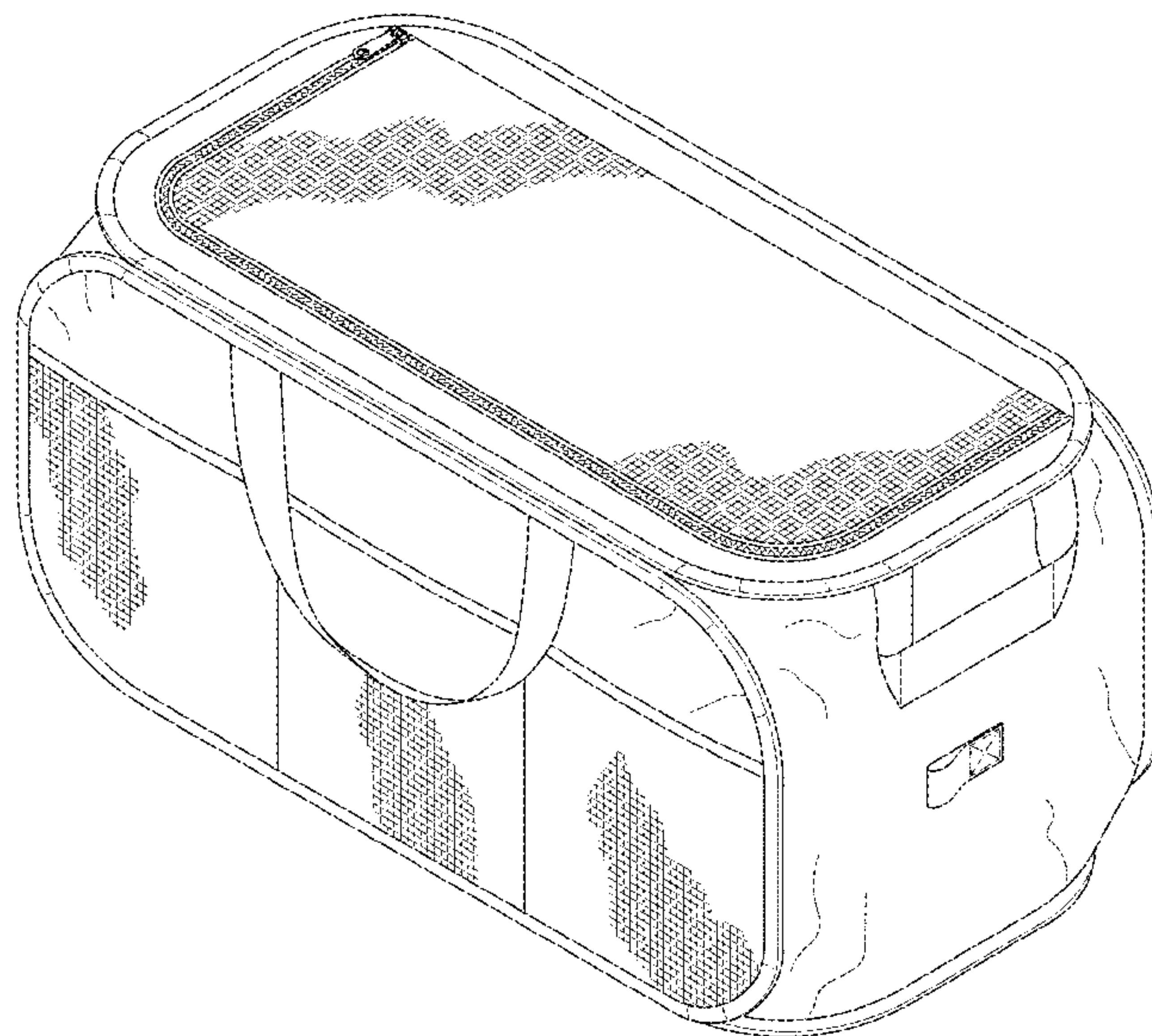
**DESCRIPTION**

FIG. 1 is a perspective view of the container of this invention with a cover that is closed;  
FIG. 2 is a top plan view of the container of FIG. 1;  
FIG. 3 is a front elevation view of the container of FIG. 1, with the opposing rear side being a mirror image thereof;  
FIG. 4 is a right side elevation view of the container of FIG. 1, with the opposing side view being a mirror image thereof;  
FIG. 5 is a bottom plan view of the container of FIG. 1;  
FIG. 6 is a perspective view of the container of FIG. 1 with the cover open;  
FIG. 7 is a top plan view of the container of FIG. 1 with the container open; and,  
FIG. 8 is a sectional view taken along line 8-8 in FIG. 2, but with the cover open with the opposing end being a mirror image thereof.  
The dashed lines shown on the loops in FIGS. 1, 4 and 6 illustrate stitching and form no part of the claimed design.

(56) **References Cited**  
**U.S. PATENT DOCUMENTS**

1,869,071	A	7/1932	McLean	
4,210,186	A *	7/1980	Belenson	206/316.2
4,463,789	A *	8/1984	Leiserson	383/97
4,895,230	A	1/1990	King	
D317,081	S *	5/1991	King	D3/287
5,316,387	A	5/1994	Polett et al.	
5,413,199	A *	5/1995	Clement	190/108
5,620,069	A	4/1997	Hurwitz	
5,794,747	A *	8/1998	Bryant	190/18 R
D406,423	S	3/1999	Kellogg et al.	
5,967,357	A	10/1999	Kellogg et al.	
5,971,188	A	10/1999	Kellogg et al.	
D431,361	S	10/2000	Kellogg et al.	
D433,810	S	11/2000	Kellogg et al.	

**1 Claim, 5 Drawing Sheets**



(56)

**References Cited**

U.S. PATENT DOCUMENTS

D461,638	S	8/2002	Kellogg et al.	
RE37,924	E	12/2002	Kellogg et al.	
6,494,335	B1	12/2002	Kellogg et al.	
6,702,119	B2	3/2004	Sabounjian	
D509,959	S *	9/2005	Nykoluk .....	D3/289
6,948,632	B2	9/2005	Kellogg et al.	
6,997,338	B2	2/2006	Sabounjian	
D519,280	S	4/2006	Kellogg et al.	
D526,484	S *	8/2006	Flint .....	D3/283
D536,872	S	2/2007	Kellogg et al.	
D547,950	S	8/2007	Kellogg et al.	
D548,408	S *	8/2007	Martz .....	D3/273
D551,452	S	9/2007	Kellogg et al.	
D555,905	S	11/2007	Kellogg et al.	
7,353,963	B1	4/2008	Sabounjian	
D575,059	S *	8/2008	Cappiello et al. ....	D3/283
D601,800	S	10/2009	Kellogg et al.	
D602,253	S *	10/2009	Rees et al. ....	D3/289
D612,117	S	3/2010	Krotts et al.	
D620,708	S *	8/2010	Sanz .....	D3/276
D622,466	S	8/2010	Sabounjian	
D622,960	S	9/2010	Sabounjian	
D625,102	S *	10/2010	Jacobs .....	D3/289

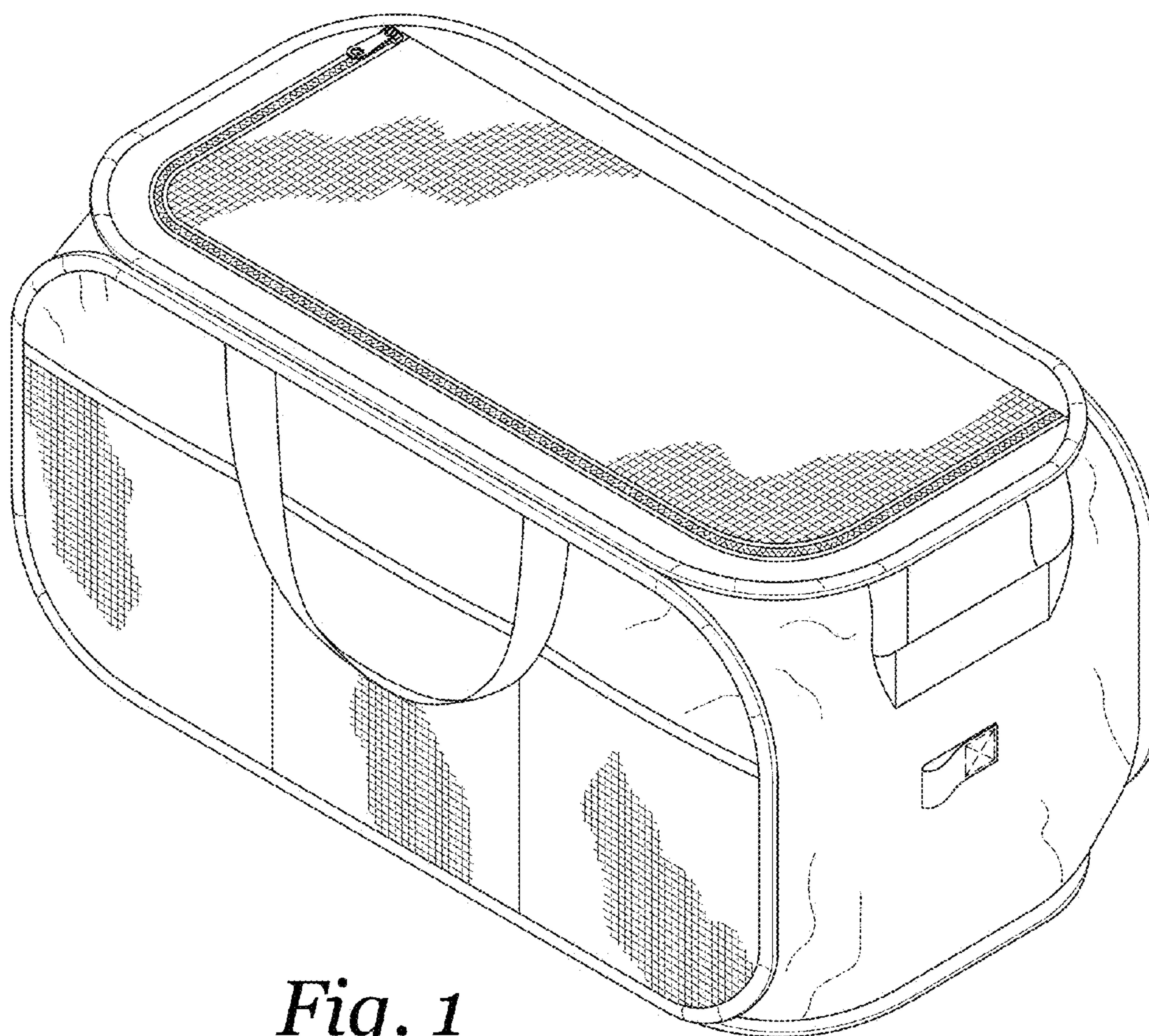
D625,891	S	10/2010	Krotts et al.	
7,845,507	B2	12/2010	Kellogg et al.	
D634,932	S	3/2011	Sabounjian	
D641,165	S	7/2011	Sabounjian	
D648,533	S *	11/2011	Sosnovsky .....	D3/283
2002/0145022	A1	10/2002	Nguyen et al.	
2006/0065500	A1 *	3/2006	Herrig .....	190/107
2007/0257034	A1	11/2007	Sabounjian	
2008/0210727	A1 *	9/2008	Gallaway .....	224/575
2008/0283350	A1 *	11/2008	Vorderkunz .....	190/115
2010/0018968	A1	1/2010	Sabounjian	
2011/0127132	A1 *	6/2011	Fair et al. ....	190/110
2011/0174811	A1	7/2011	Sabounjian	
2011/0182532	A1 *	7/2011	Baltus .....	383/109
2011/0220444	A1 *	9/2011	Perez .....	190/103
2012/0267365	A1 *	10/2012	Sabounjian .....	220/6

OTHER PUBLICATIONS

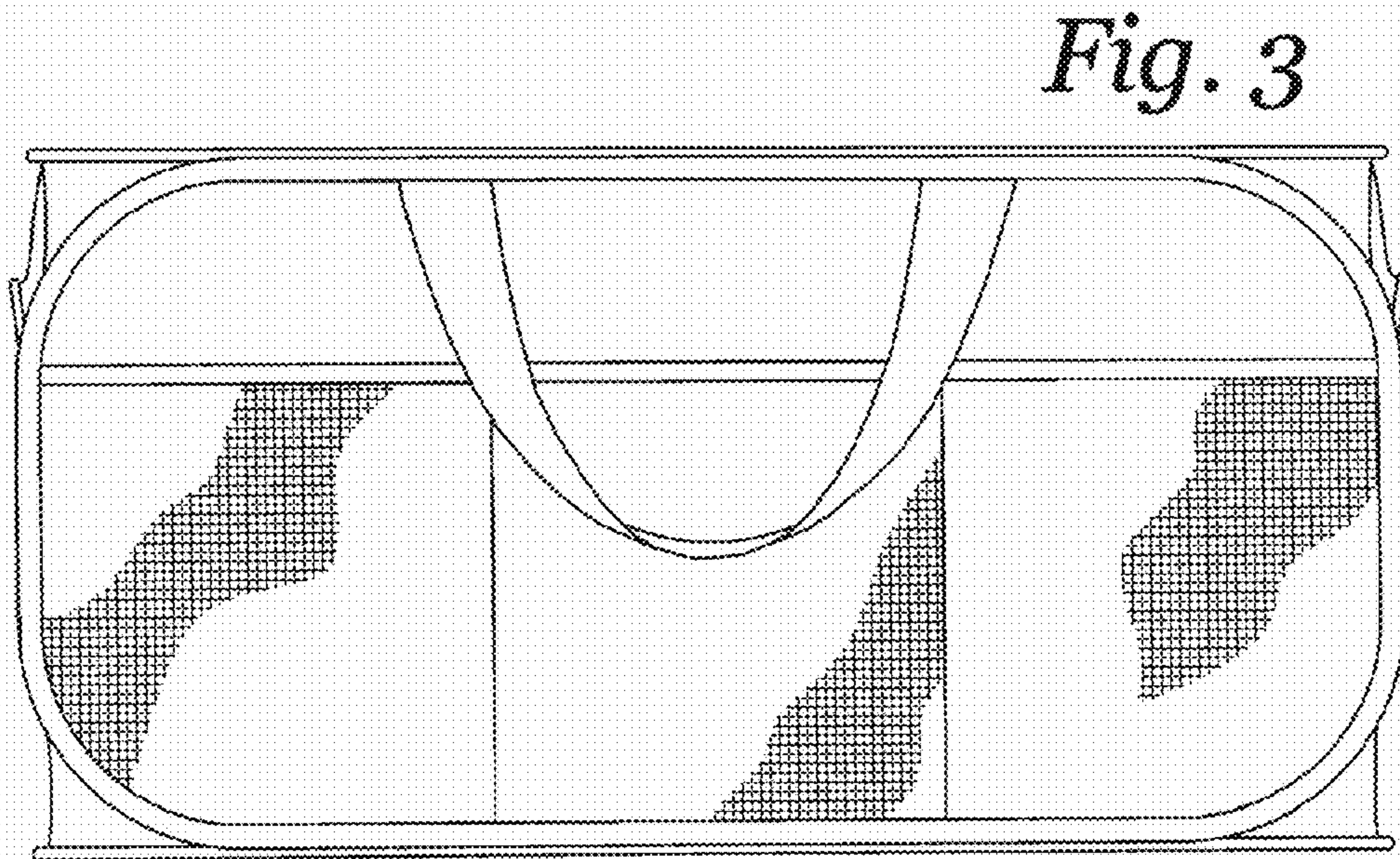
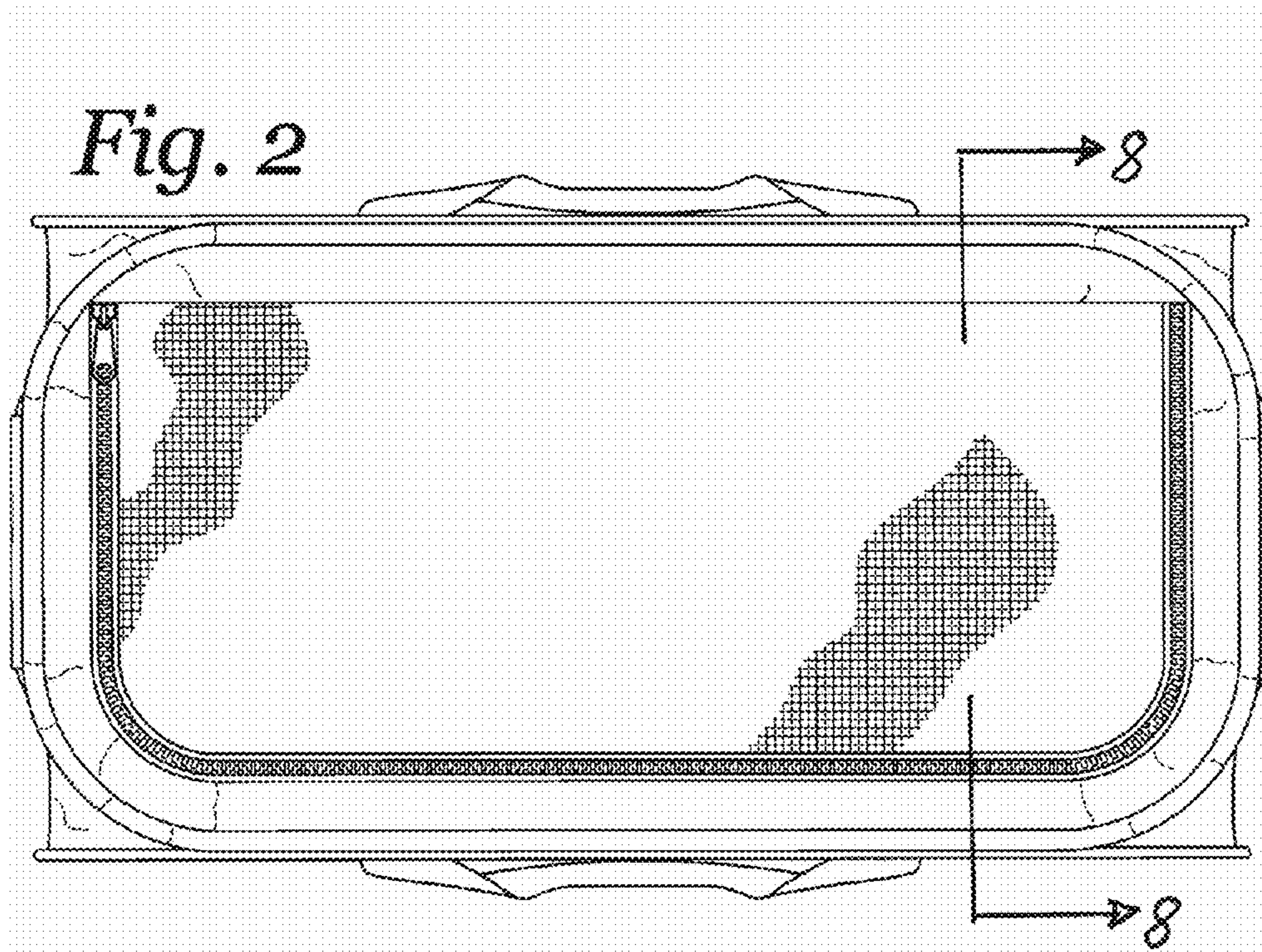
U.S. Appl. No. 13/450,330, filed Apr. 18, 2012, for a Collapsible Container, First named inventor Azad Sabounjian, Assigned to Pro-Mart Industries, Inc.  
 International Search Report for Collapsible Container with Pockets, International App. No. PCT/US2012/034291, Applicant Pro-Mart Industries, Inc.

\* cited by examiner

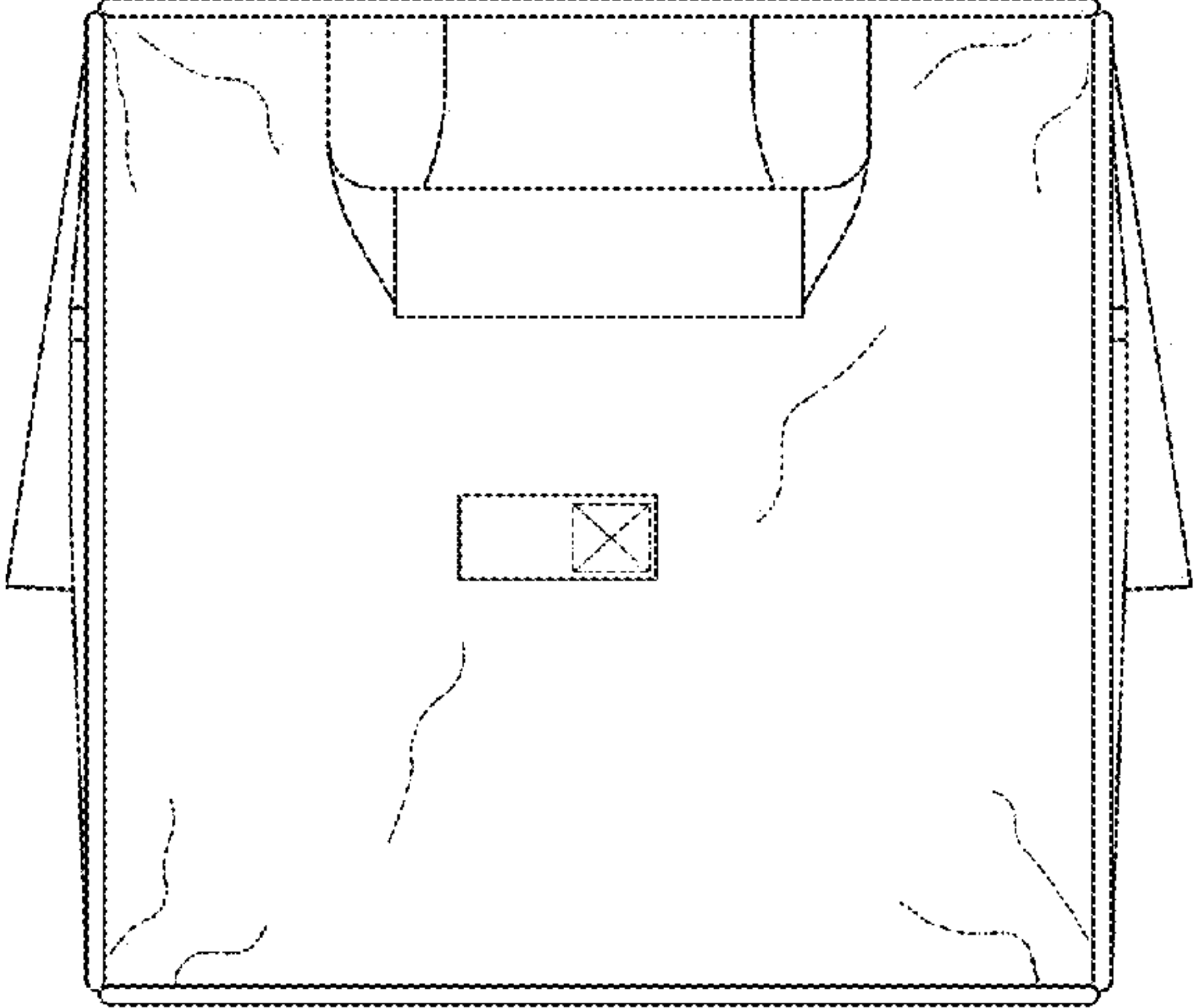




*Fig. 1*

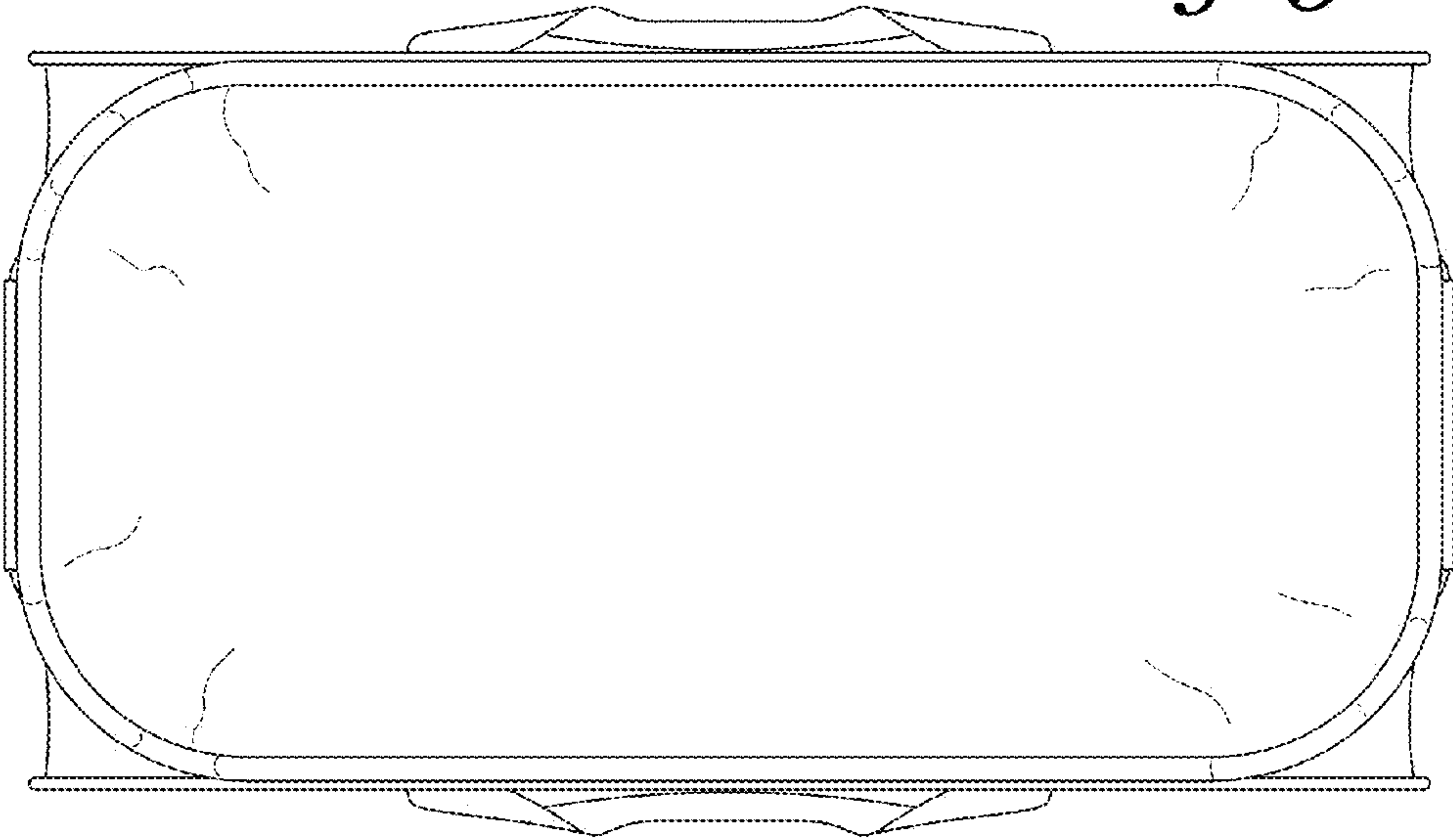


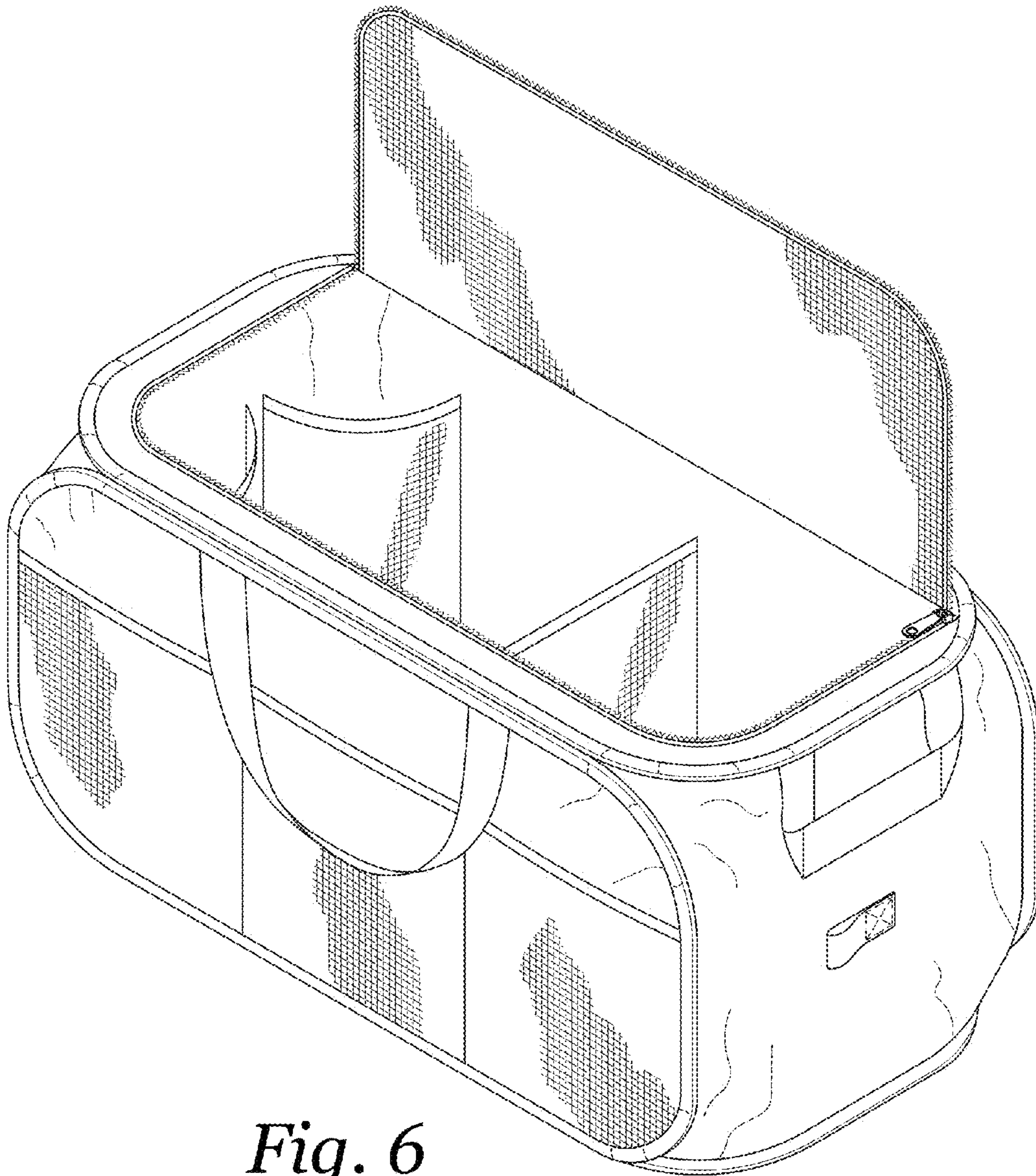




*Fig. 4*

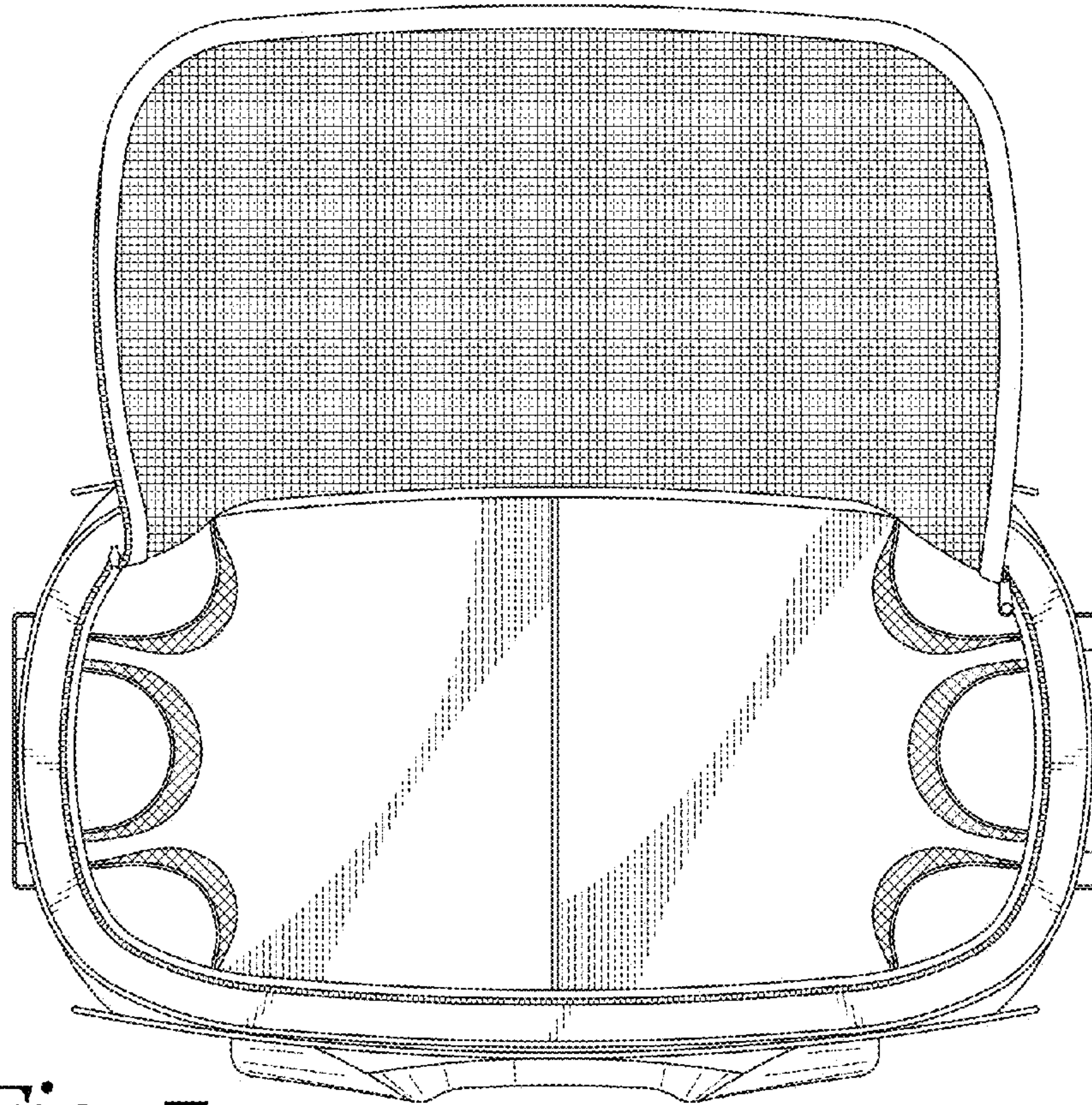
*Fig. 5*



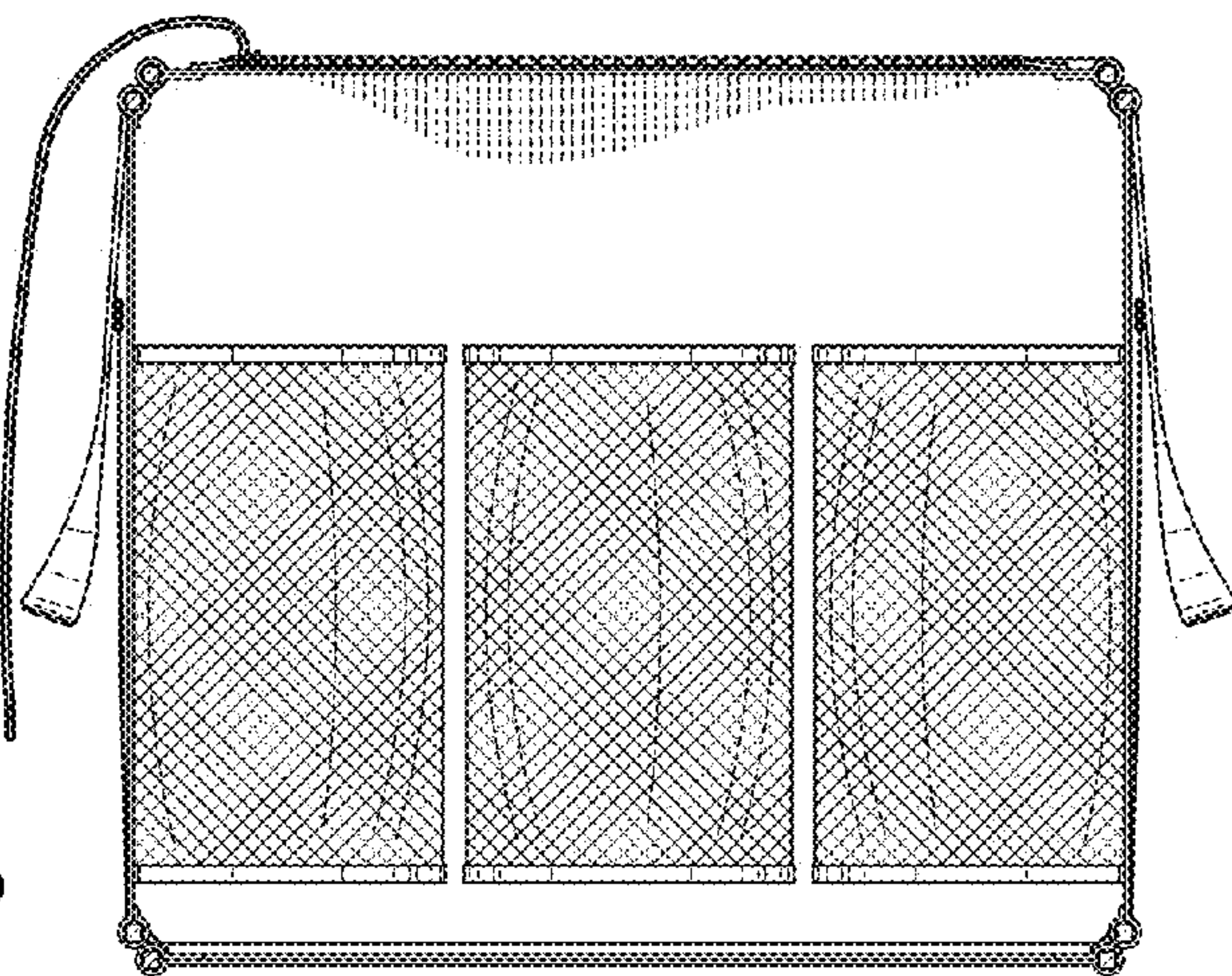


*Fig. 6*





*Fig. 7*



*Fig. 8*