



US00D698149S

(12) **United States Design Patent**  
**Sonntag et al.**

(10) **Patent No.:** **US D698,149 S**  
(45) **Date of Patent:** **\*\* Jan. 28, 2014**

(54) **PORTABLE GOLF CLUB CARRYING CASE**

*Primary Examiner* — Holly Baynham

(76) Inventors: **Carl J. Sonntag**, Colorado Springs, CO (US); **Donald Dancison**, Glendale, AZ (US)

(\*\*) Term: **14 Years**

(21) Appl. No.: **29/412,556**

(22) Filed: **Feb. 4, 2012**

**Related U.S. Application Data**

(63) Continuation-in-part of application No. 29/372,968, filed on Feb. 11, 2011, now abandoned.

(51) **LOC (10) Cl.** ..... **03-01**

(52) **U.S. Cl.**  
USPC ..... **D3/255**

(58) **Field of Classification Search**  
USPC ..... D3/255; 206/315.2–315.8  
See application file for complete search history.

(56) **References Cited**

**U.S. PATENT DOCUMENTS**

1,288,320	A *	12/1918	Weaver	.....	224/613
1,563,816	A *	12/1925	Worthington	.....	206/315.2
3,495,641	A *	2/1970	Bethel	.....	206/315.2
D283,758	S *	5/1986	Stewart et al.	.....	D7/703
5,102,529	A *	4/1992	Hickin	.....	206/315.3
D386,303	S *	11/1997	Wang	.....	D3/255
6,286,673	B1 *	9/2001	Robertson	.....	206/315.3
6,352,187	B2 *	3/2002	Strode	.....	224/664
D461,634	S *	8/2002	Watson, Sr.	.....	D3/255
8,066,119	B2 *	11/2011	Doman	.....	206/315.2

\* cited by examiner

(57) **CLAIM**

We claim the ornamental design for a portable golf club carrying case, as shown and described.

**DESCRIPTION**

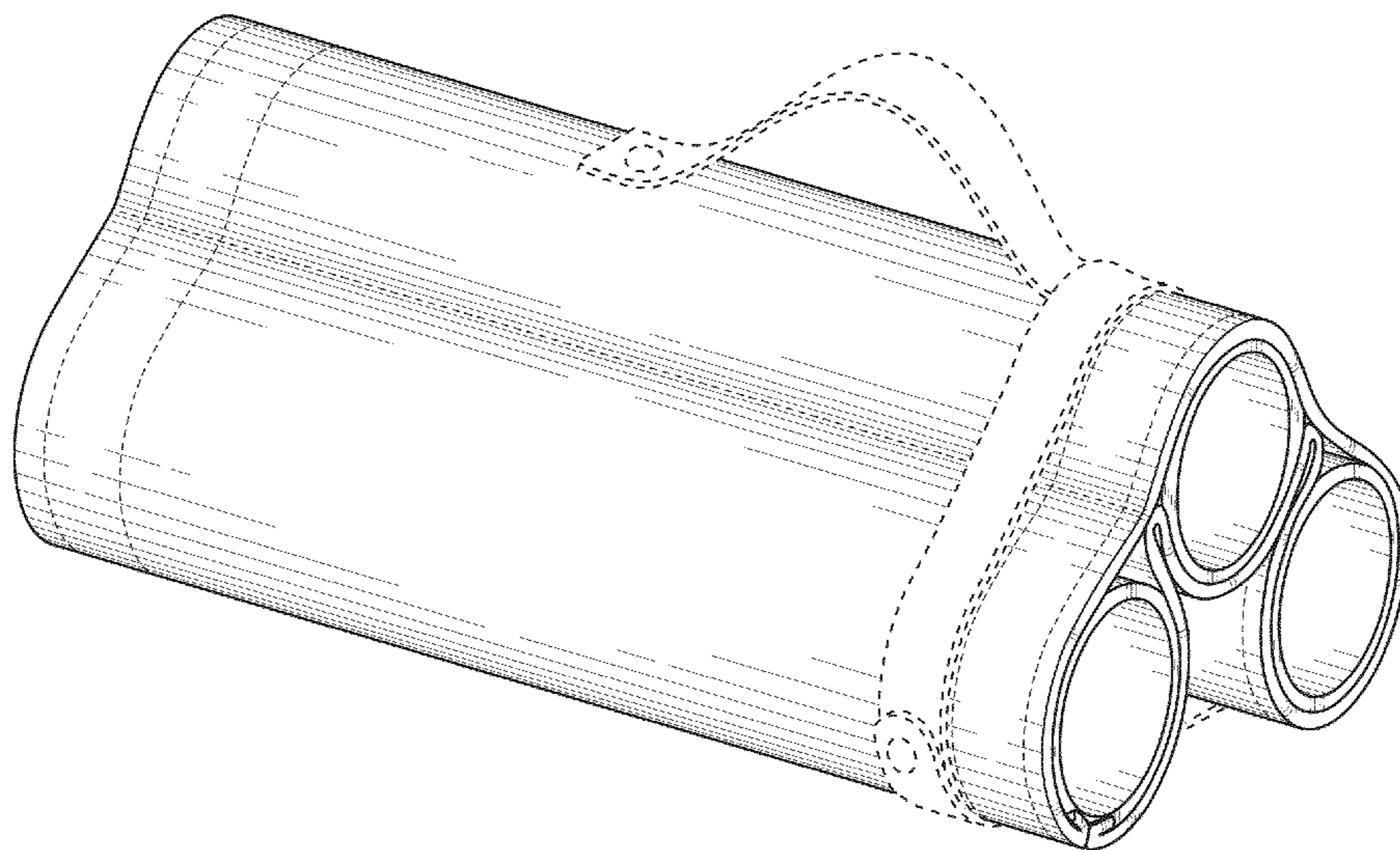
FIG. 1 is a side perspective of the portable golf club carrying case which illustrates the three receptacles for holding the golf clubs, the general shape of the case, and a handle; and FIG. 2 is a side perspective of the portable golf club carrying case showing the handle placement; and FIG. 3 is an end view of the portable golf club carrying case; and FIG. 4 is a top view of the portable golf club carrying case; and, FIG. 5 is a view of the bottom side of the portable golf club carrying case.

The broken lines showing straps and handles are for the purposes of illustrating environment and forms no part of the claimed design.

This design invention relates to a portable golf club carrying case which may be used in conjunction with a standard club case or as a standalone unit. The portable carrying case contains three circular slots for inserting golf clubs quickly and easily without the need for transporting an entire set of golf clubs from one point to another.

The case may be enclosed in a variety of materials and colors, and an embodiment may include a longer handle which would serve as a shoulder strap for user comfort or preference.

**1 Claim, 4 Drawing Sheets**



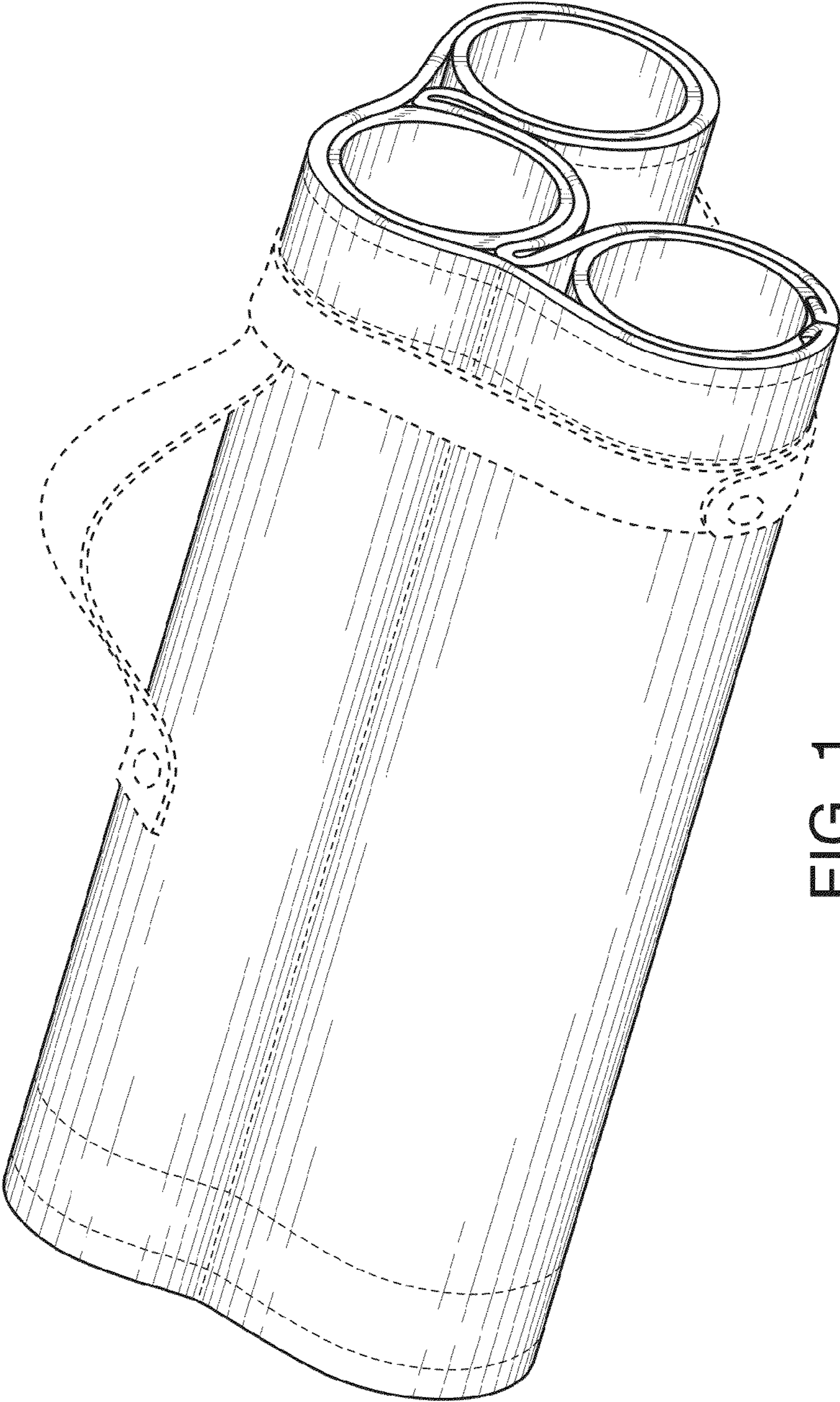


FIG. 1

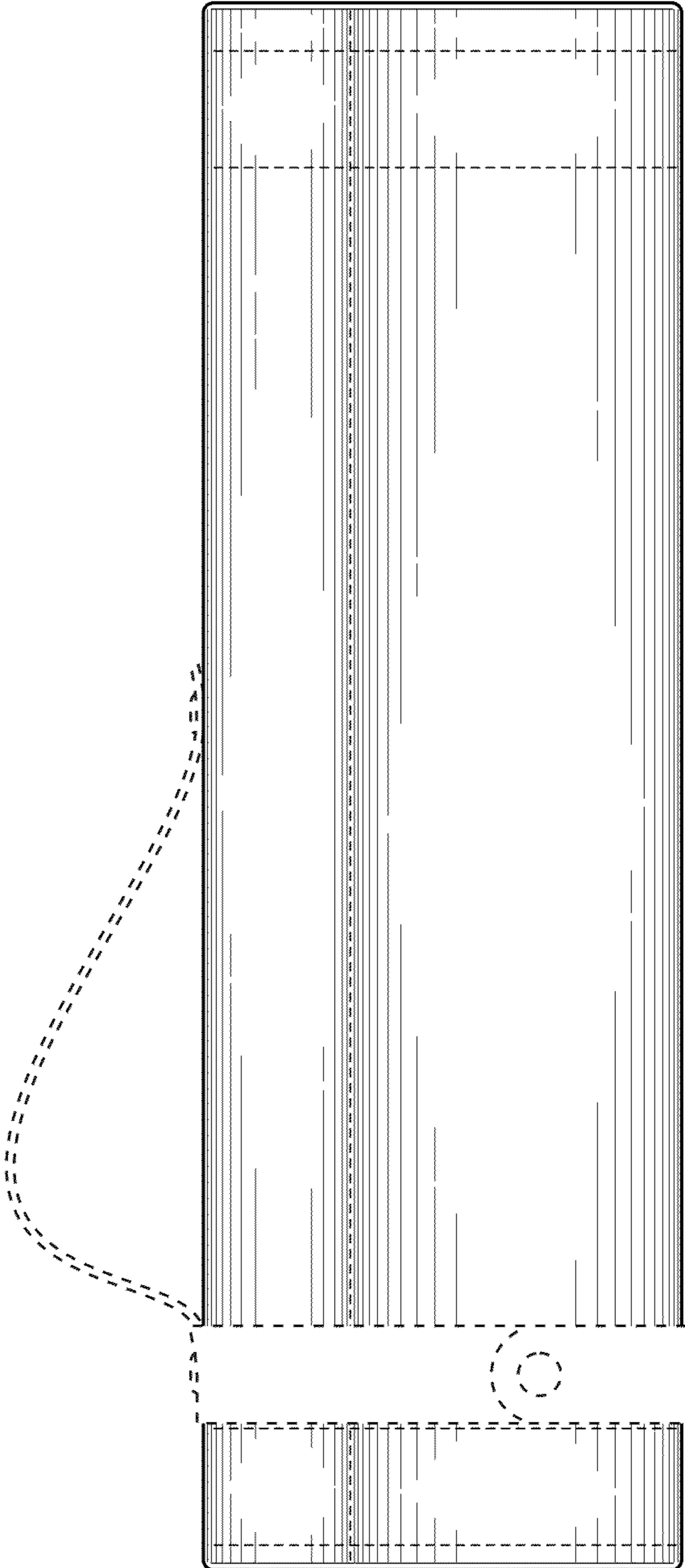


FIG. 2

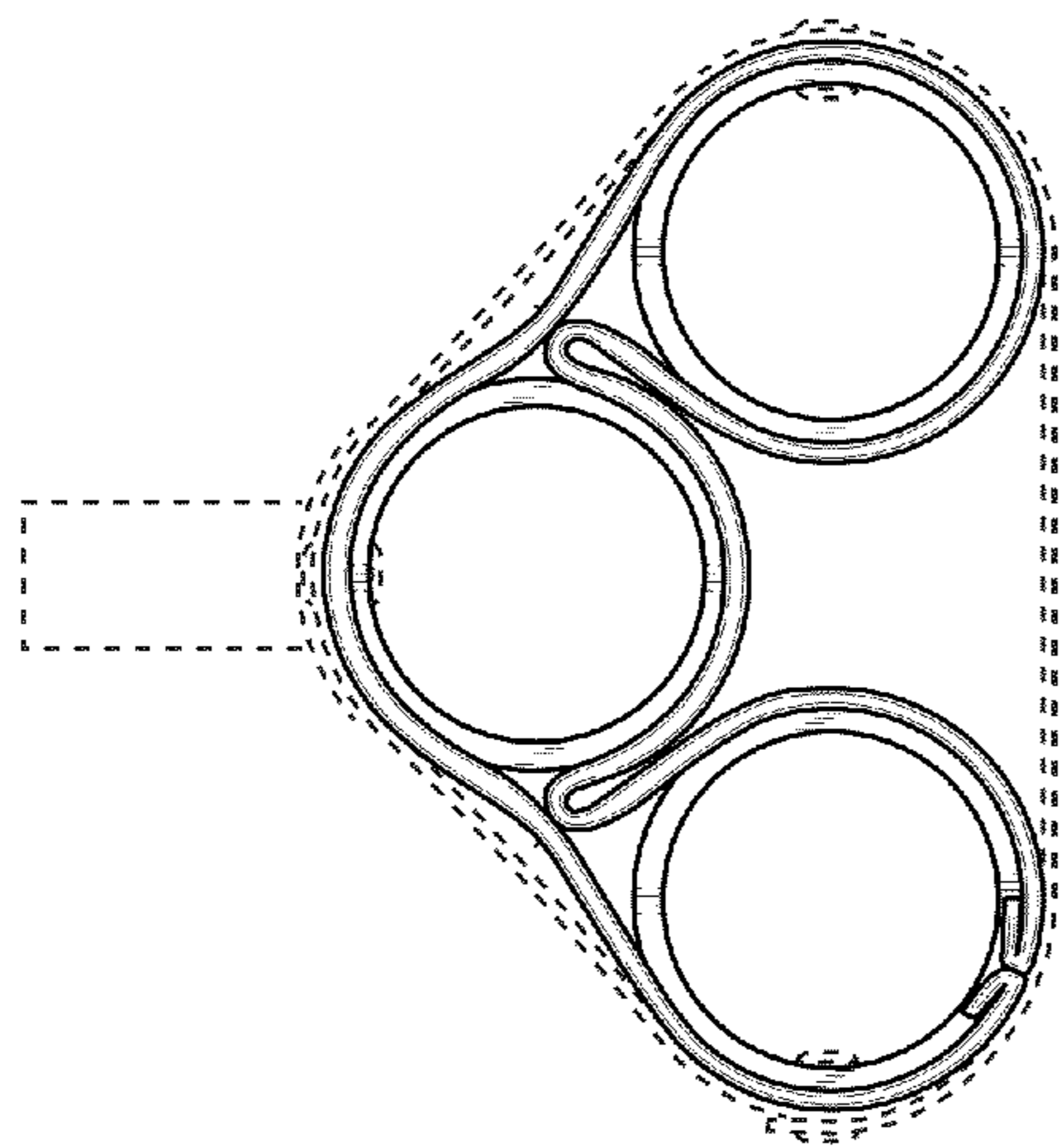


FIG. 3

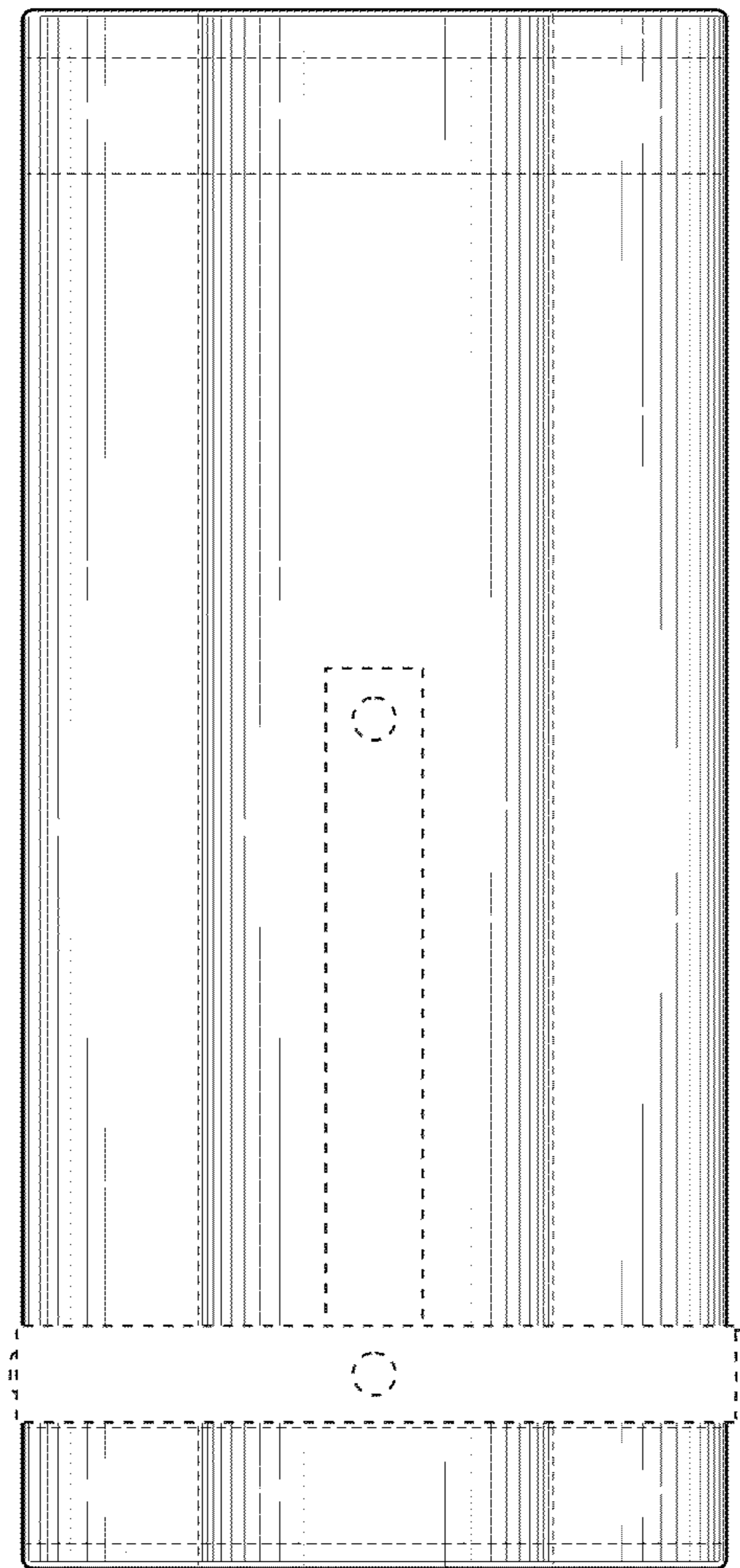


FIG. 4

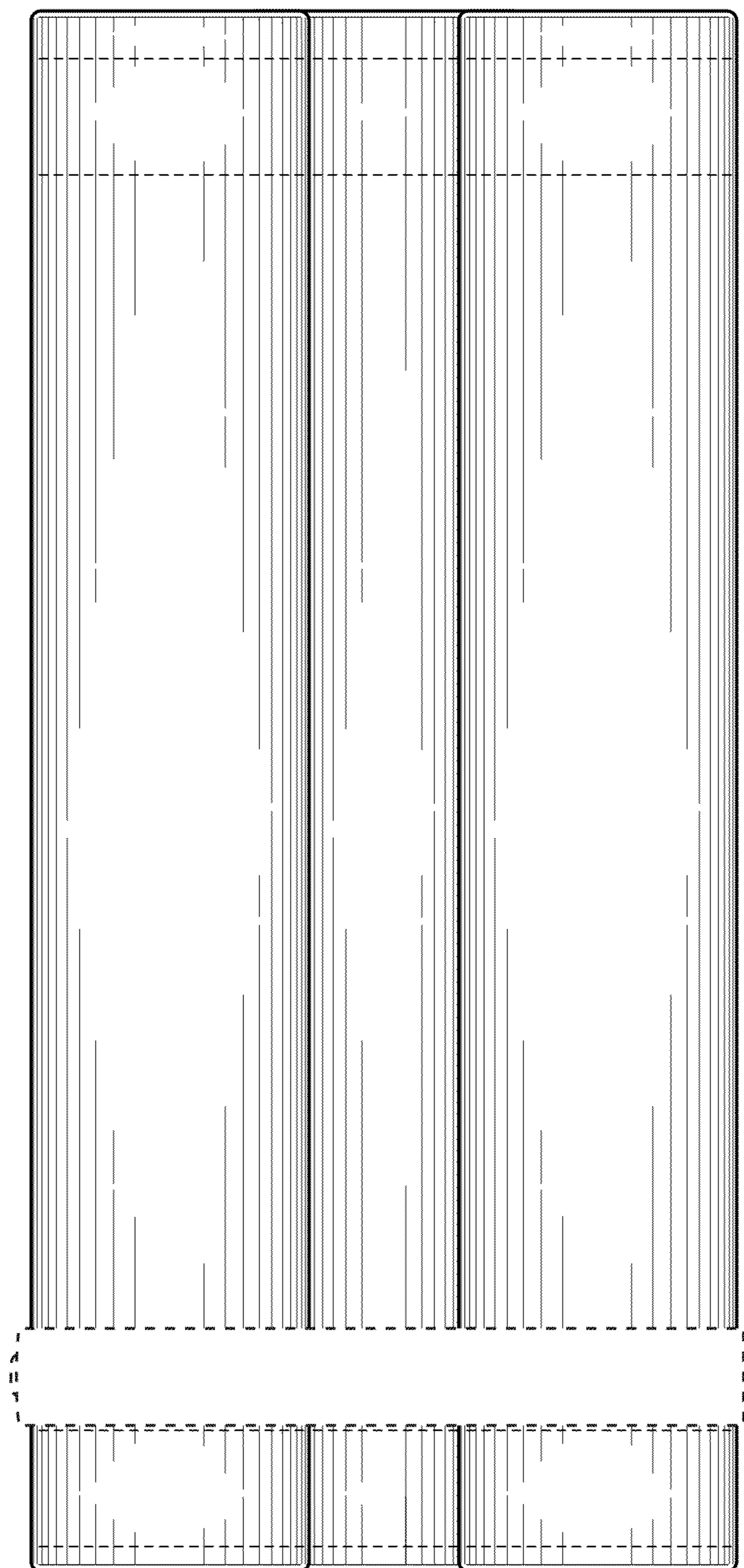


FIG. 5