



US00D698146S

(12) **United States Design Patent**
Deneve

(10) **Patent No.:** **US D698,146 S**
(45) **Date of Patent:** **** Jan. 28, 2014**

(54) **HANDBAG**

(71) Applicant: **Yves Saint Laurent**, Paris (FR)

(72) Inventor: **Paul Deneve**, Paris (FR)

(73) Assignee: **Yves Saint Laurent**, Paris (FR)

(**) Term: **14 Years**

(21) Appl. No.: **29/444,948**

(22) Filed: **Feb. 6, 2013**

(51) **LOC (10) Cl.** **03-01**

(52) **U.S. Cl.**
USPC **D3/245**

(58) **Field of Classification Search**
USPC D3/232-233, 240-243, 245-246;
150/100, 103-110, 113-114, 117-119
See application file for complete search history.

(56) **References Cited**

U.S. PATENT DOCUMENTS

D626,332 S *	11/2010	Guyon et al.	D3/245
D644,432 S *	9/2011	Gerbi	D3/245
D649,780 S *	12/2011	Fendi	D3/245

* cited by examiner

Primary Examiner — Holly Baynham

(74) *Attorney, Agent, or Firm* — Donald J. Ranft; Collen IP

(57) **CLAIM**

The ornamental design for a handbag, as shown and described.

DESCRIPTION

FIG. 1 is a front top left perspective view of a handbag showing my new design;
FIG. 2 is a front view thereof;
FIG. 3 is a rear view thereof;
FIG. 4 is a right side view thereof;
FIG. 5 is a left side view thereof;
FIG. 6 is a top view thereof;
FIG. 7 is a bottom view thereof;
FIG. 8 is an additional perspective view with the lock removed from the mini pouch thereof; and,
FIG. 9 is a bottom front right perspective view thereof.

1 Claim, 7 Drawing Sheets





FIG. 1

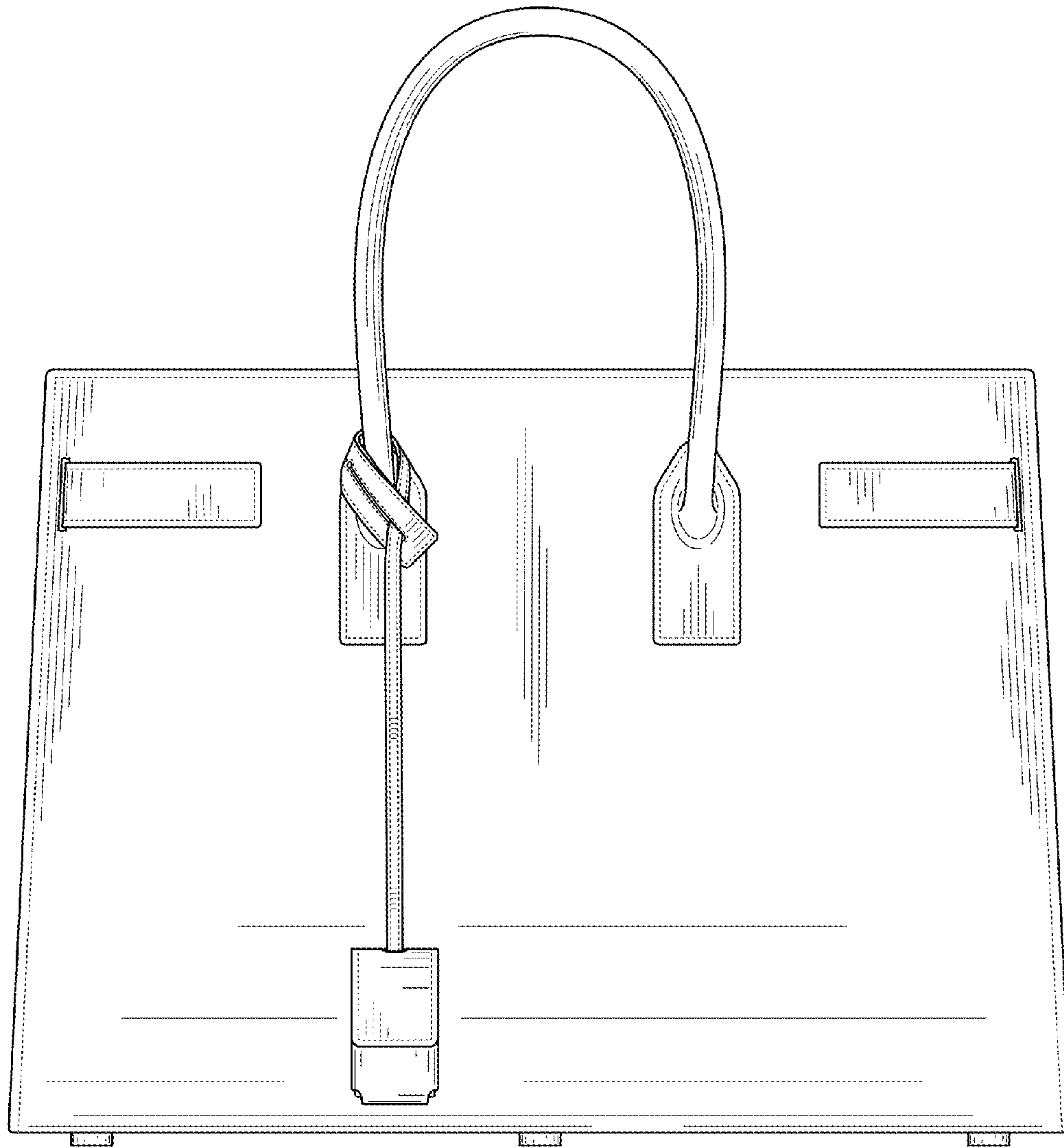


FIG. 2



FIG. 3

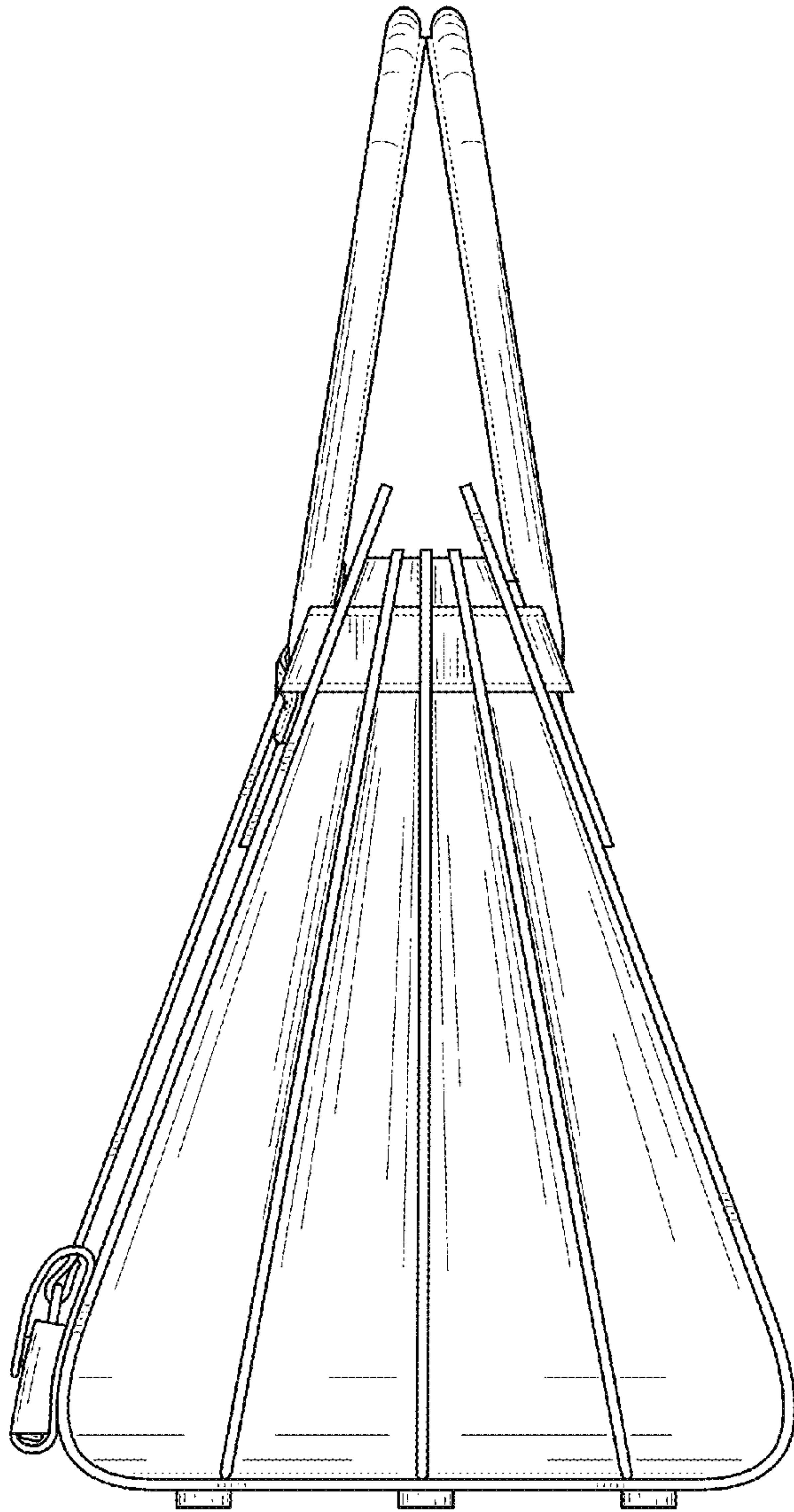


FIG. 4

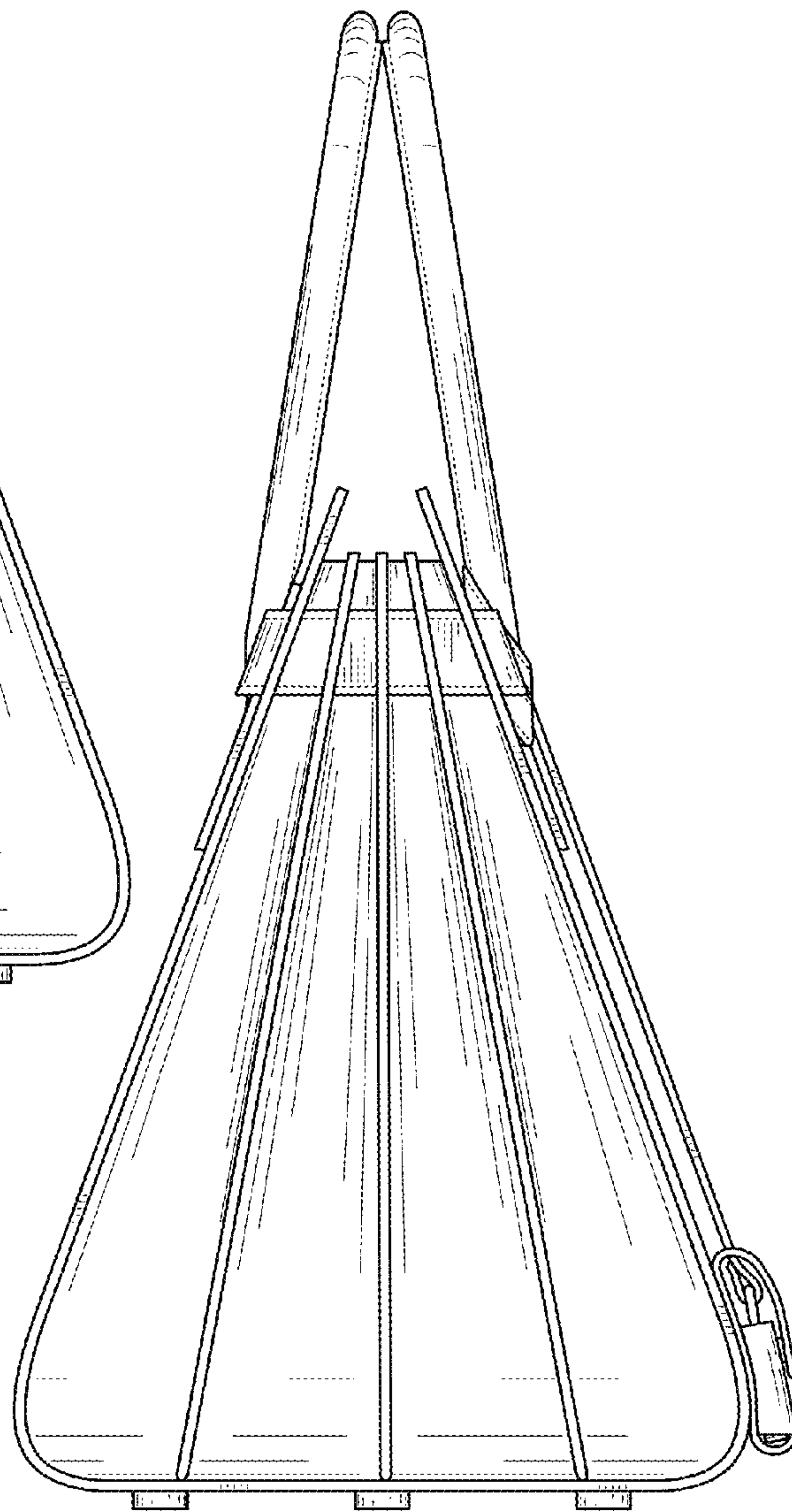


FIG. 5

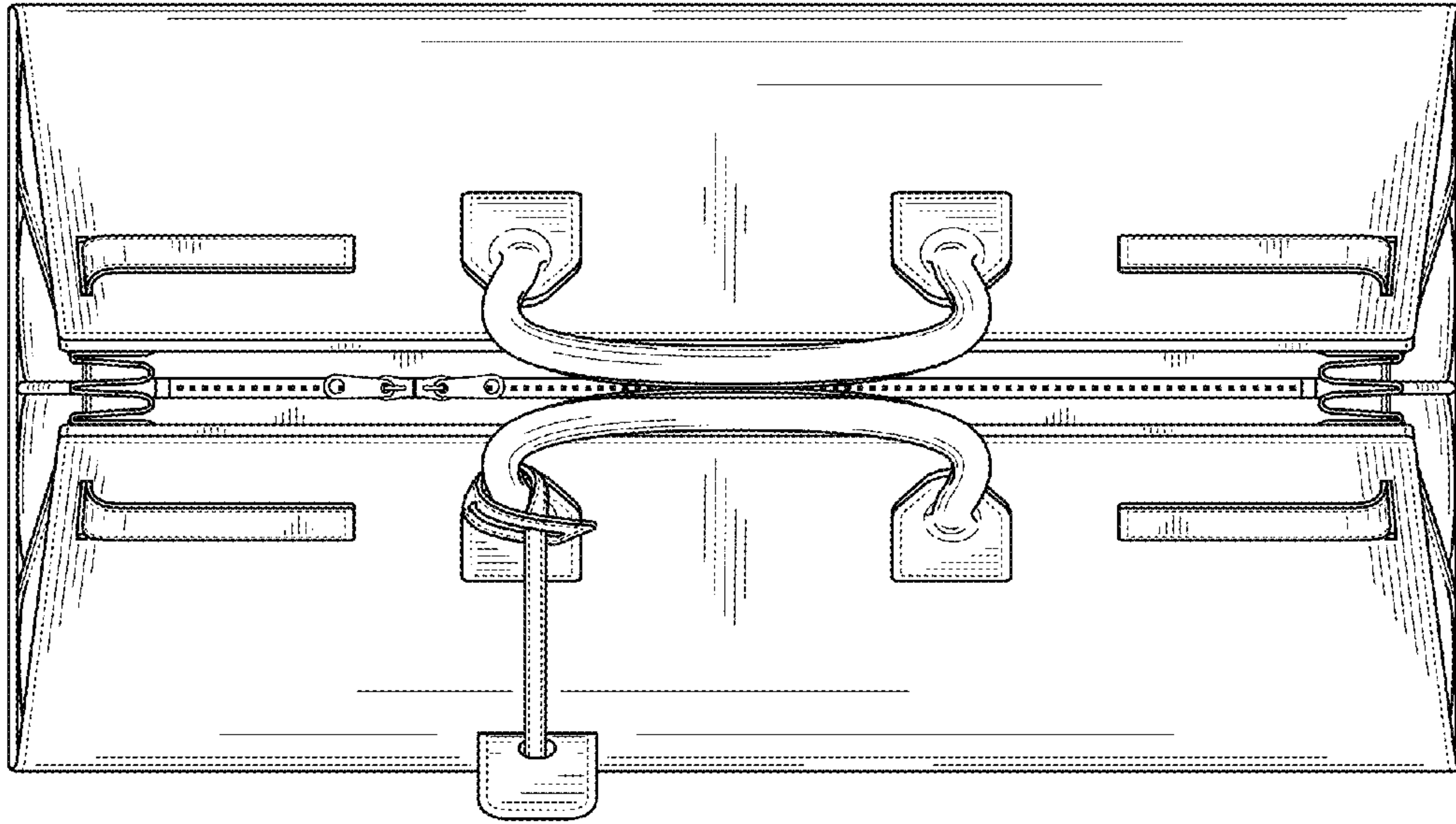


FIG. 6

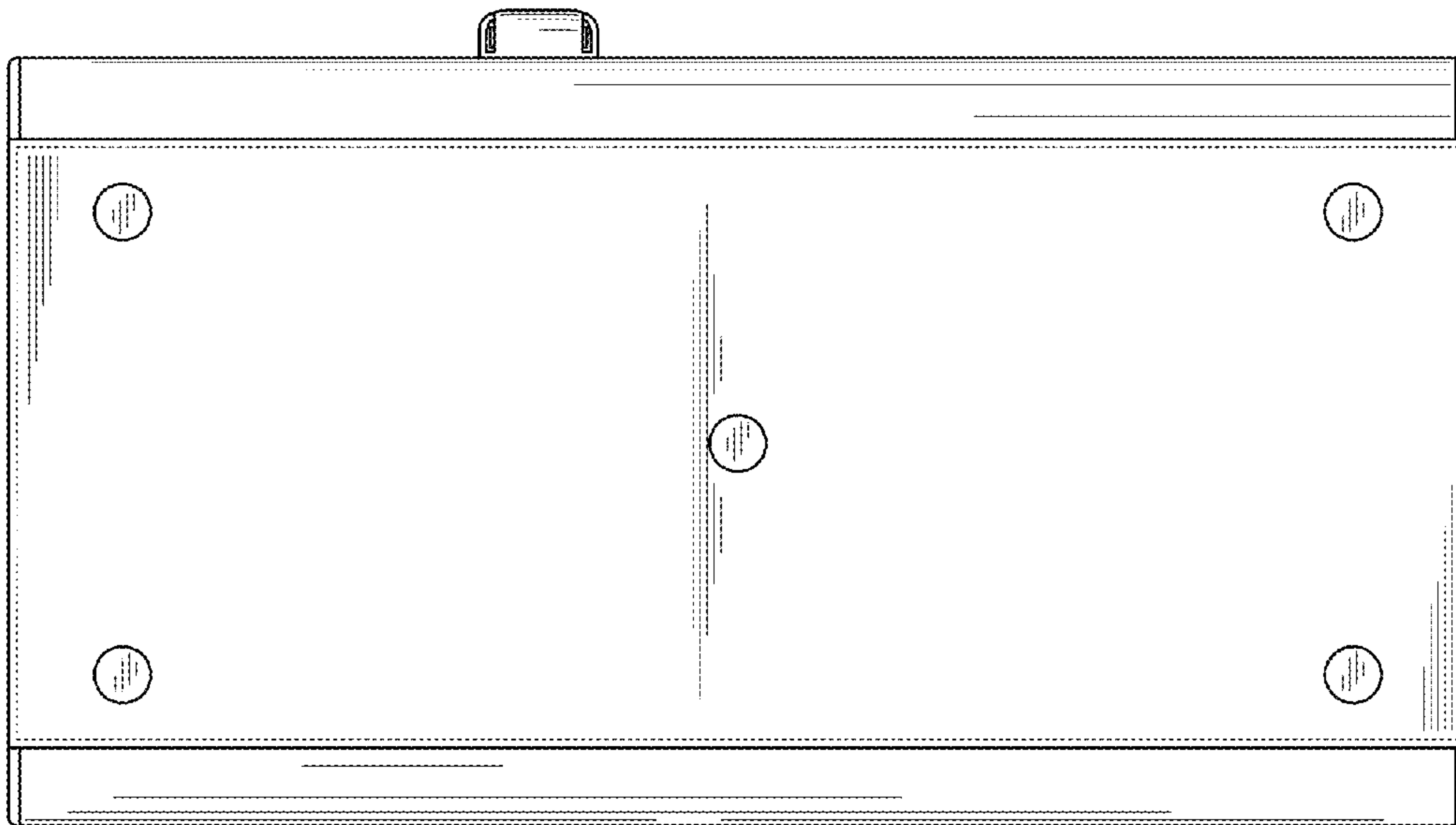


FIG. 7



FIG. 8

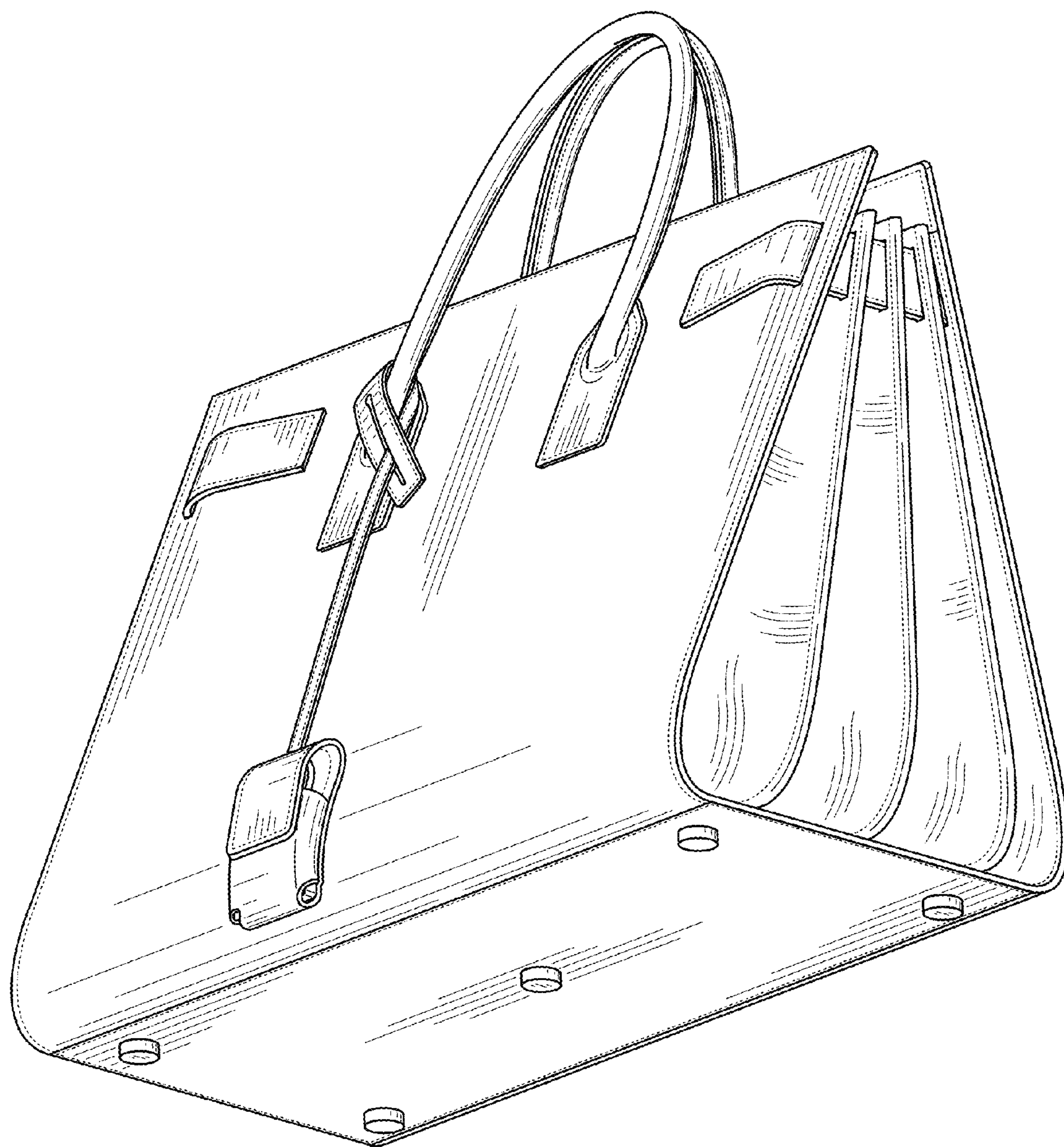


FIG. 9