



US00D698145S

(12) **United States Design Patent**
Deneve

(10) **Patent No.:** **US D698,145 S**
(45) **Date of Patent:** **** Jan. 28, 2014**

(54) **HANDBAG**

(71) Applicant: **Yves Saint Laurent**, Paris (FR)

(72) Inventor: **Paul Deneve**, Paris (FR)

(73) Assignee: **Yves Saint Laurent**, Paris (FR)

(**) Term: **14 Years**

(21) Appl. No.: **29/444,952**

(22) Filed: **Feb. 6, 2013**

(51) **LOC (10) Cl.** **03-01**

(52) **U.S. Cl.**
USPC **D3/243**

(58) **Field of Classification Search**
USPC D3/232–233, 240–243, 245–246;
150/100, 103–110, 113–114, 117–119
See application file for complete search history.

(56) **References Cited**

U.S. PATENT DOCUMENTS

2,026,663 A * 1/1936 Wunthal 150/113
2,034,398 A * 3/1936 Kash 150/117
D132,023 S * 4/1942 Adams D3/233

D154,329 S * 6/1949 Schiff D3/233
D351,062 S * 10/1994 Shapland et al. D3/233
D632,889 S * 2/2011 Jobert D3/243
D655,583 S * 3/2012 Palazzolo D7/709

* cited by examiner

Primary Examiner — Holly Baynham

(74) *Attorney, Agent, or Firm* — Donald J. Ranft; Collen IP

(57) **CLAIM**

The ornamental design for a handbag, as shown.

DESCRIPTION

FIG. 1 is a front top perspective view of a handbag showing my new design;

FIG. 2 is a front view thereof;

FIG. 3 is a rear view thereof;

FIG. 4 is a right side view thereof;

FIG. 5 is a left side view thereof;

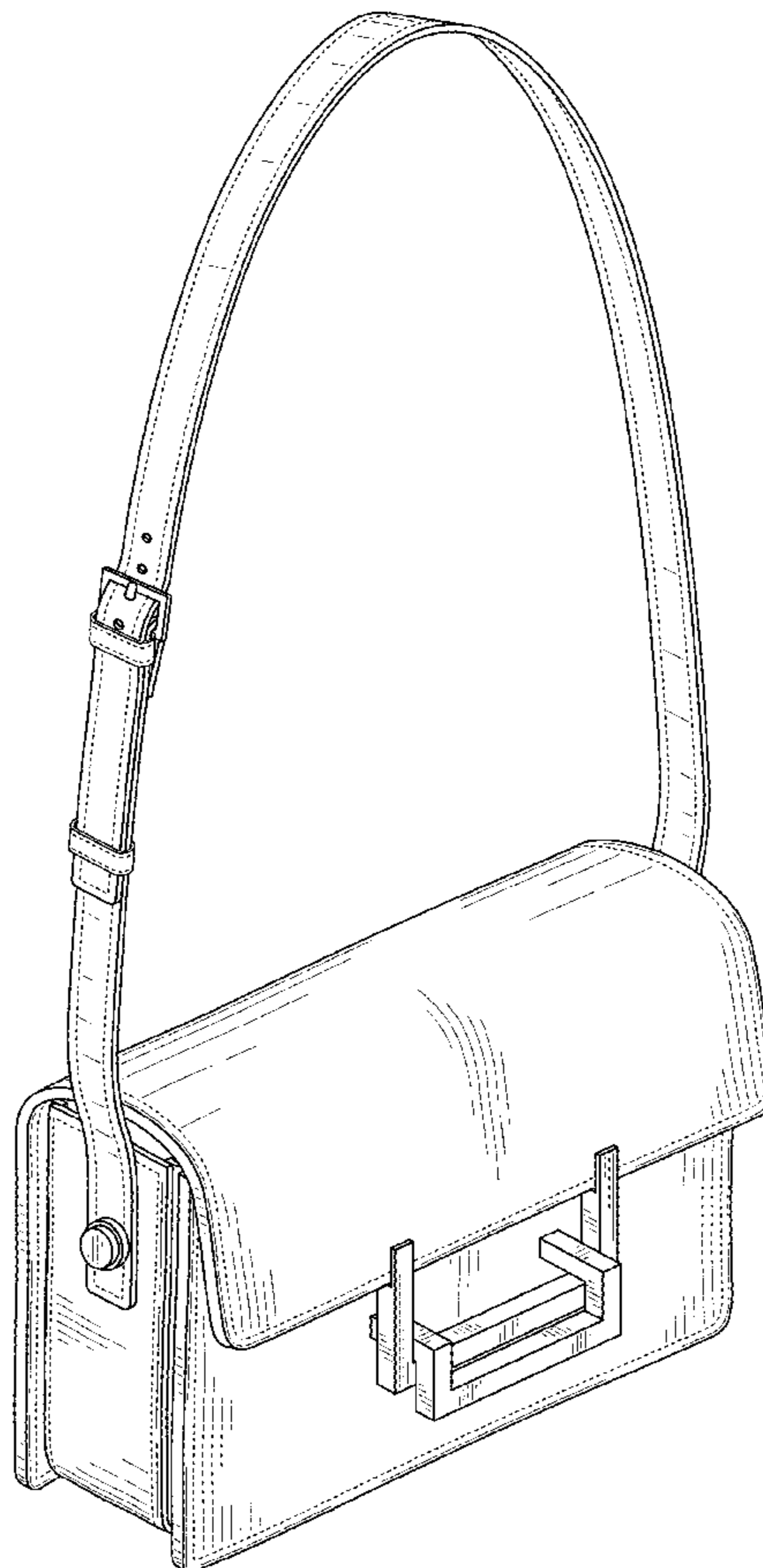
FIG. 6 is a top view thereof;

FIG. 7 is a bottom view thereof; and,

FIG. 8 is a bottom front right perspective view thereof.

The broken lines representing stitching are part of the claimed design.

1 Claim, 7 Drawing Sheets



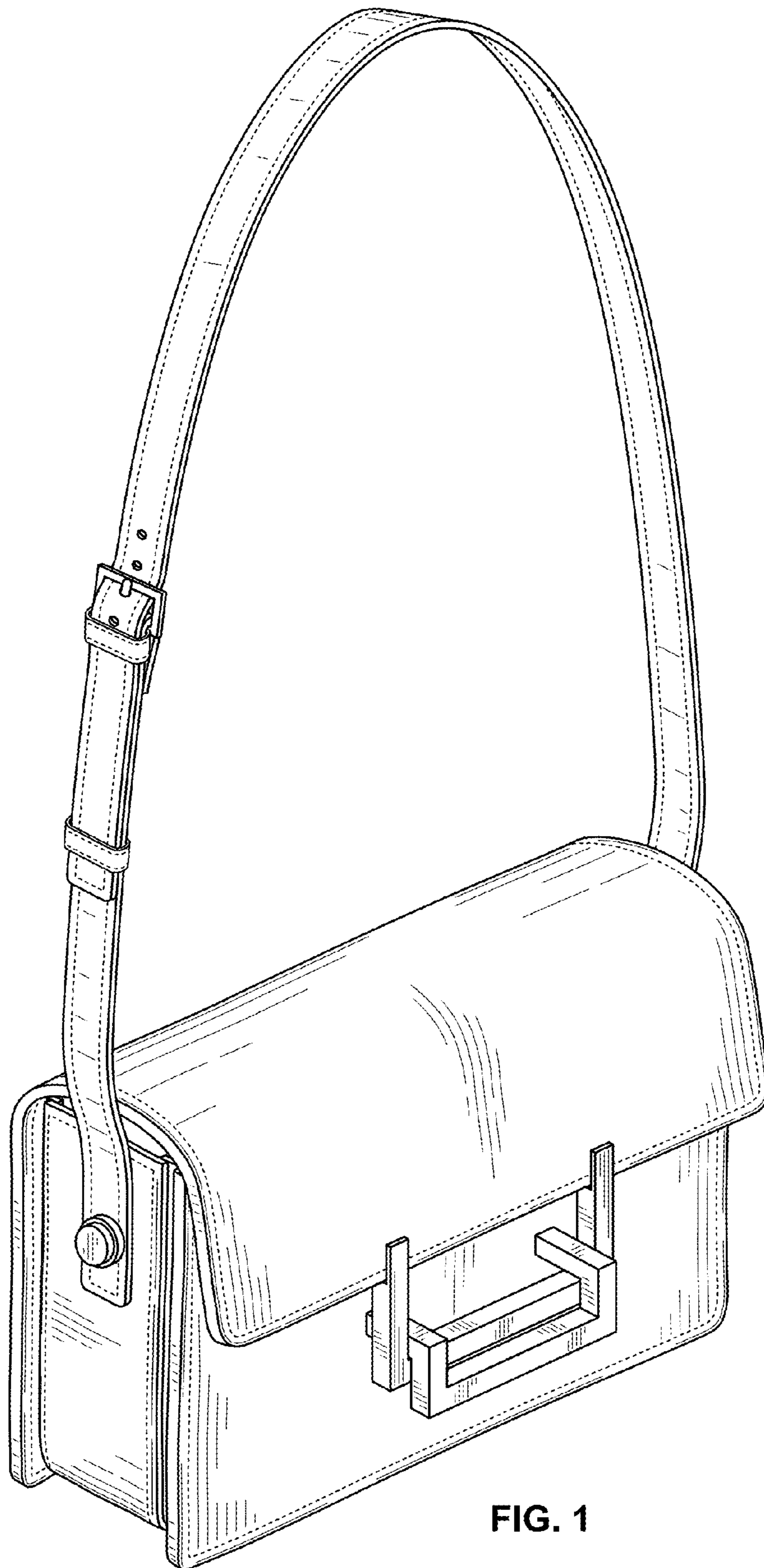


FIG. 1

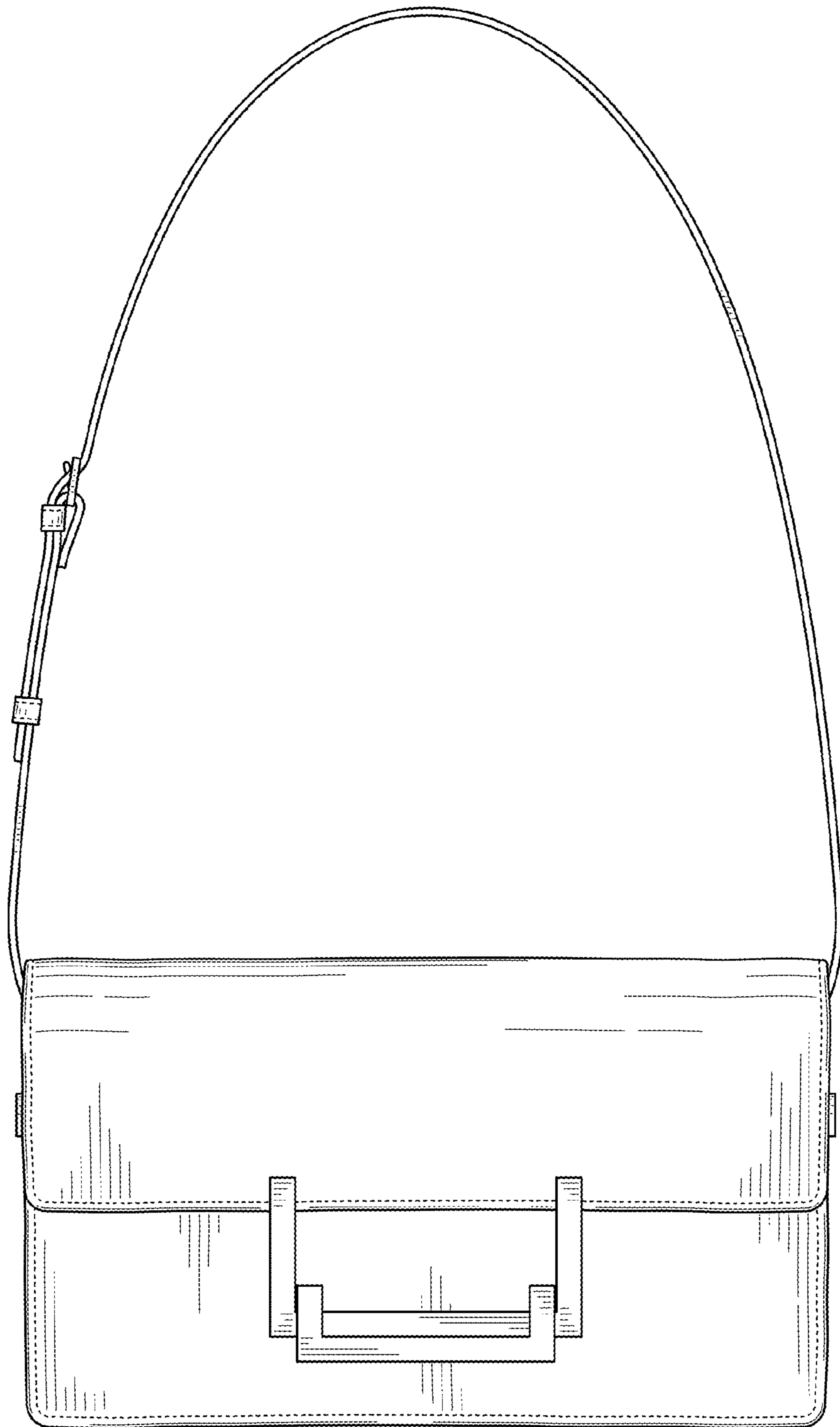


FIG. 2

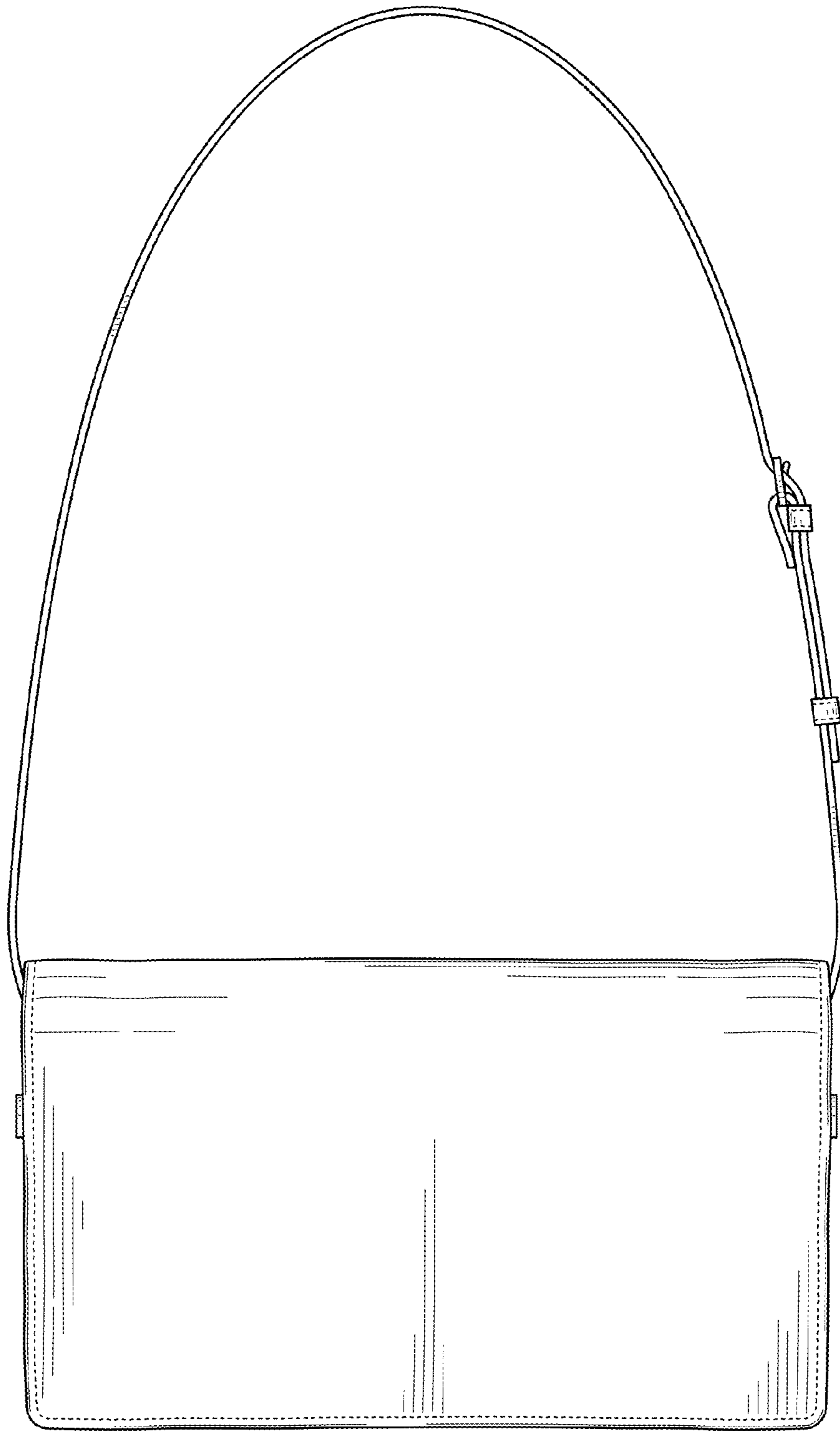


FIG. 3

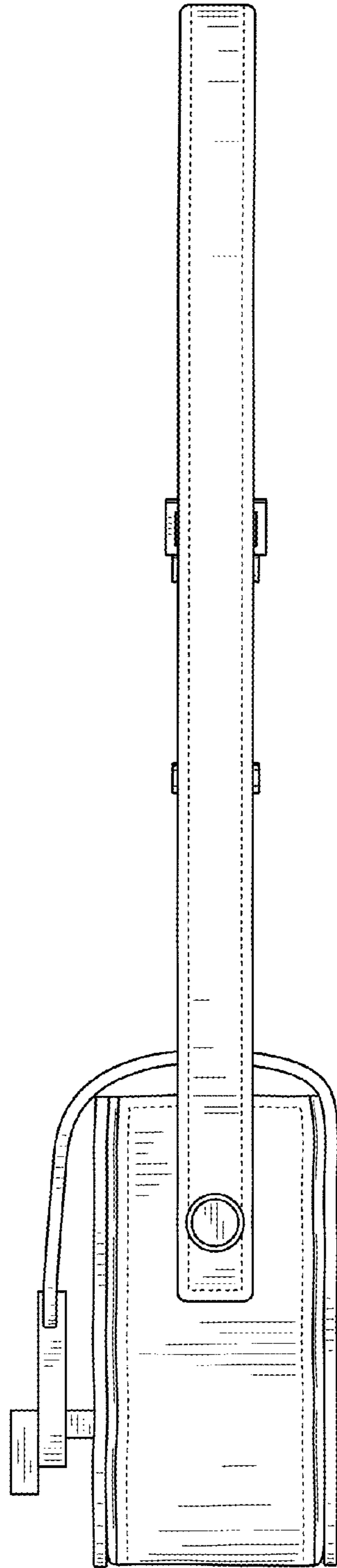


FIG. 4

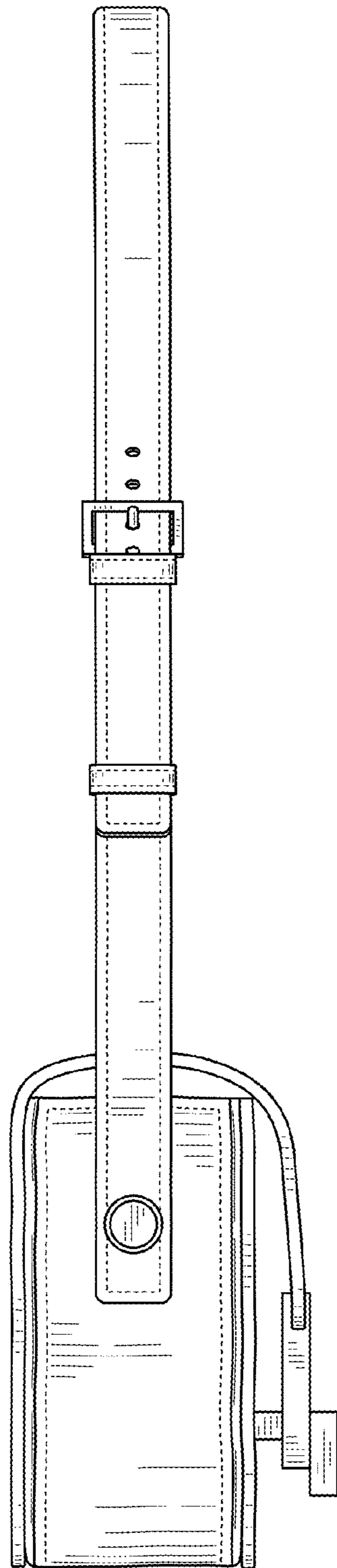


FIG. 5

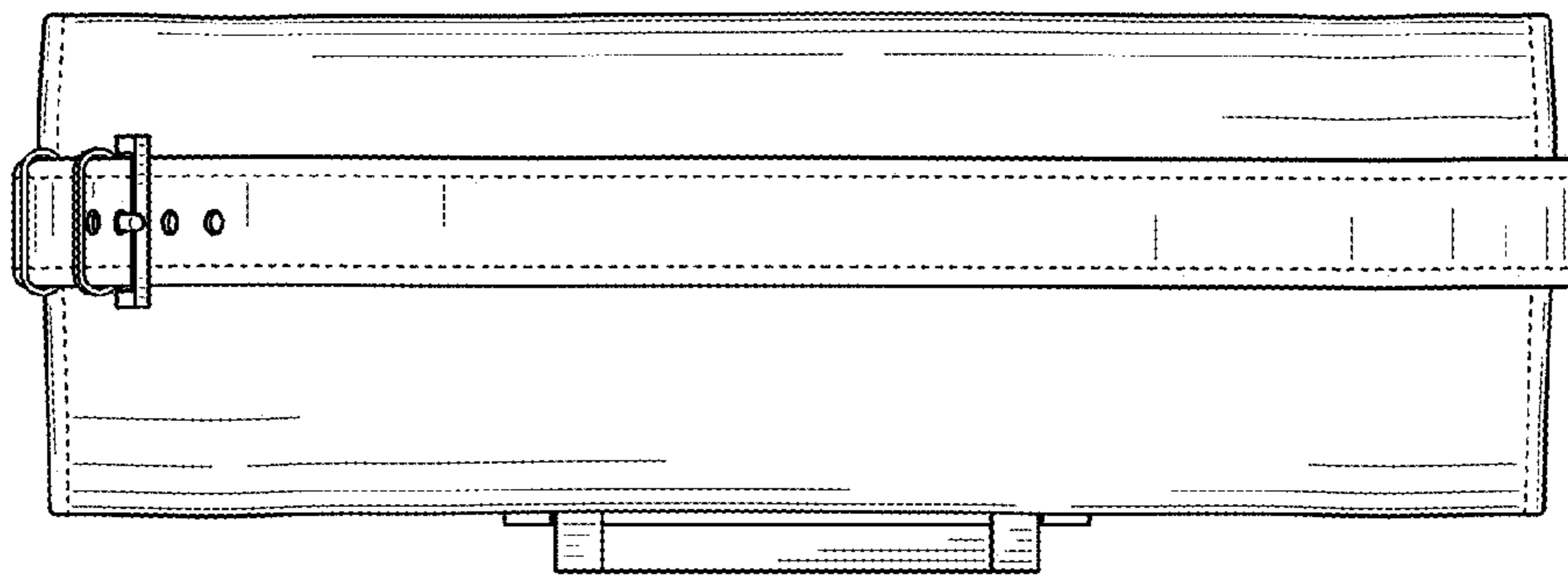


FIG. 6

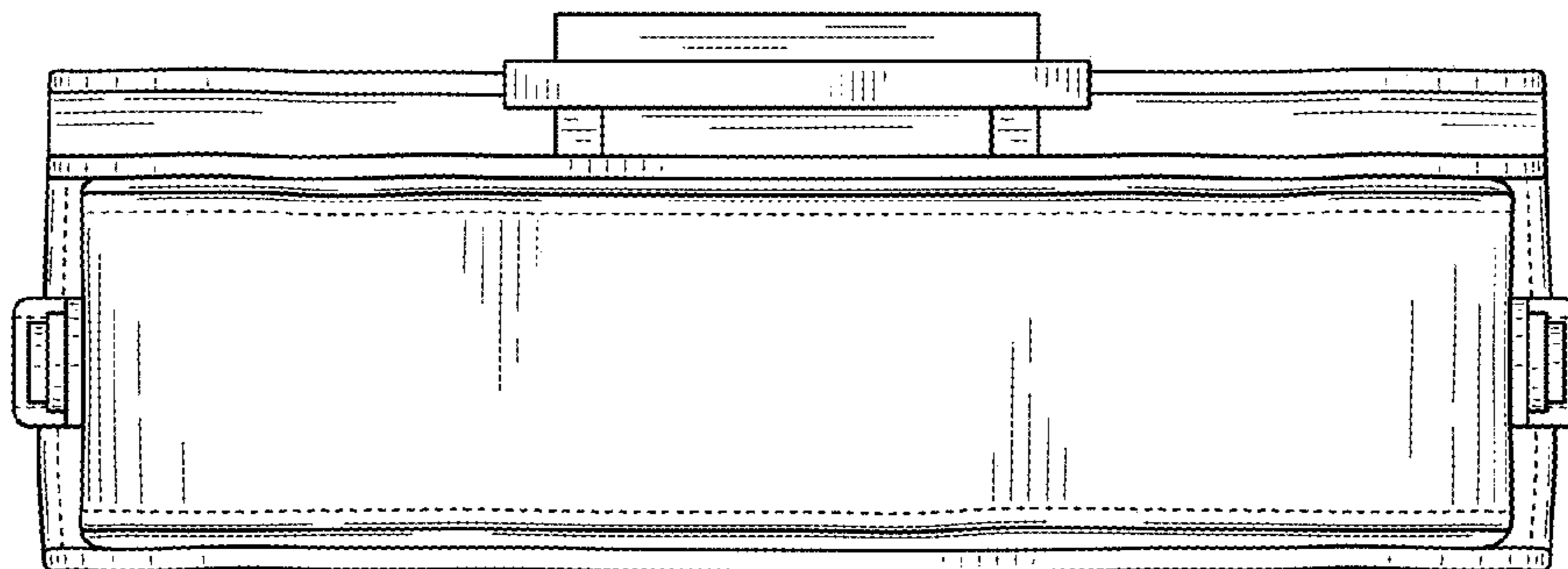


FIG. 7

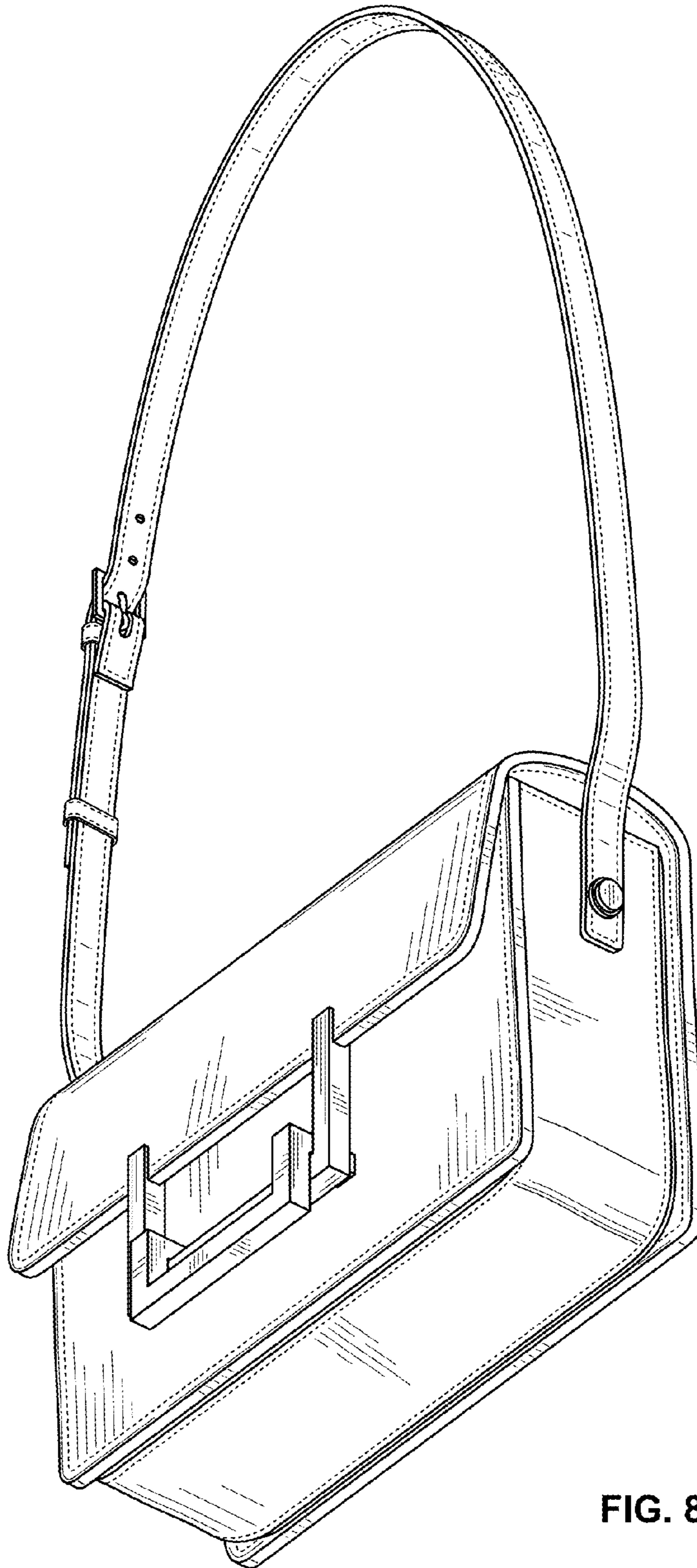


FIG. 8