



US00D698141S

(12) **United States Design Patent**  
**Priebe et al.**

(10) **Patent No.:** **US D698,141 S**  
(45) **Date of Patent:** **\*\* Jan. 28, 2014**

(54) **PILL CONTAINER**

**DESCRIPTION**

- (71) Applicant: **Apothecary Products, Inc.**, Burnsville, MN (US)
- (72) Inventors: **Robert N. Priebe**, Bloomington, MN (US); **Terrance O. Noble**, Burnsville, MN (US)
- (73) Assignee: **Apothecary Products, Inc.**, Burnsville, MN (US)
- (\*\*) Term: **14 Years**
- (21) Appl. No.: **29/447,893**
- (22) Filed: **Mar. 7, 2013**
- (51) **LOC (10) Cl.** ..... **03-01**
- (52) **U.S. Cl.**  
USPC ..... **D3/203.3**
- (58) **Field of Classification Search**  
USPC ..... D3/201–205, 264; 206/532–540;  
D10/40  
See application file for complete search history.

FIG. 1 is a perspective view of a first embodiment of a pill container, according to our design;  
 FIG. 2 is a front view thereof;  
 FIG. 3 is a rear view thereof;  
 FIG. 4 is a right view thereof;  
 FIG. 5 is a left view thereof;  
 FIG. 6 is a top view thereof;  
 FIG. 7 is a bottom view thereof;  
 FIG. 8 is a perspective view of a second embodiment of a pill container, according to our new design, the portions shown in broken lines forming no part of the design sought to be patented;  
 FIG. 9 is a front view thereof;  
 FIG. 10 is a rear view thereof;  
 FIG. 11 is a right view thereof;  
 FIG. 12 is a left view thereof;  
 FIG. 13 is a top view thereof, the portions shown in broken lines forming no part of the design sought to be patented;  
 FIG. 14 is a bottom view thereof;  
 FIG. 15 is a perspective view of a third embodiment of a pill container, according to our new design;  
 FIG. 16 is a front view thereof;  
 FIG. 17 is a rear view thereof;  
 FIG. 18 is a right view thereof;  
 FIG. 19 is a left view thereof;  
 FIG. 20 is a top view thereof;  
 FIG. 21 is a bottom view thereof;  
 FIG. 22 is a perspective view of a fourth embodiment of a pill container, according to our new design, the portions shown in broken lines forming no part of the design sought to be patented;  
 FIG. 23 is a front view thereof;  
 FIG. 24 is a rear view thereof;  
 FIG. 25 is a right view thereof;  
 FIG. 26 is a left view thereof;  
 FIG. 27 is a top view thereof, the portions shown in broken lines forming no part of the design sought to be patented; and,  
 FIG. 28 is a bottom view thereof.

- (56) **References Cited**  
U.S. PATENT DOCUMENTS  
D227,552 S 7/1973 Bridges  
D298,803 S 12/1988 Ebling  
(Continued)

- OTHER PUBLICATIONS  
Photos of prior art pill boxes, in public use before May 11, 2012.  
(Continued)

*Primary Examiner* — Catheri Oliver-Garcia  
 (74) *Attorney, Agent, or Firm* — Merchant & Gould P.C.

- (57) **CLAIM**  
The ornamental design for pill container, as shown and described.

**1 Claim, 18 Drawing Sheets**



(56)

**References Cited**

U.S. PATENT DOCUMENTS

D304,905 S 12/1989 Zimmerman  
5,163,559 A 11/1992 Bunin  
D337,725 S 7/1993 Bunin  
D401,762 S 12/1998 Abrams et al.  
6,000,546 A 12/1999 Noble  
D457,819 S 5/2002 Noble et al.  
D466,801 S \* 12/2002 Holland ..... D3/203.3  
D528,288 S 9/2006 Coe et al.  
7,387,207 B2 \* 6/2008 Priebe et al. .... 206/532

D587,005 S \* 2/2009 Gardner ..... D3/203.3  
7,494,012 B1 \* 2/2009 Priebe et al. .... 206/538  
7,798,330 B2 9/2010 Noble et al.  
D627,151 S \* 11/2010 Young et al. .... D3/203.3  
8,006,845 B2 8/2011 Noble et al.  
8,381,911 B2 \* 2/2013 Buchner et al. .... 206/538  
D684,355 S \* 6/2013 Priebe ..... D3/203.3  
8,459,459 B2 \* 6/2013 Noble et al. .... 206/538

OTHER PUBLICATIONS

Design U.S. Appl. No. 29/420,707, filed May 11, 2012.

\* cited by examiner

FIG. 1

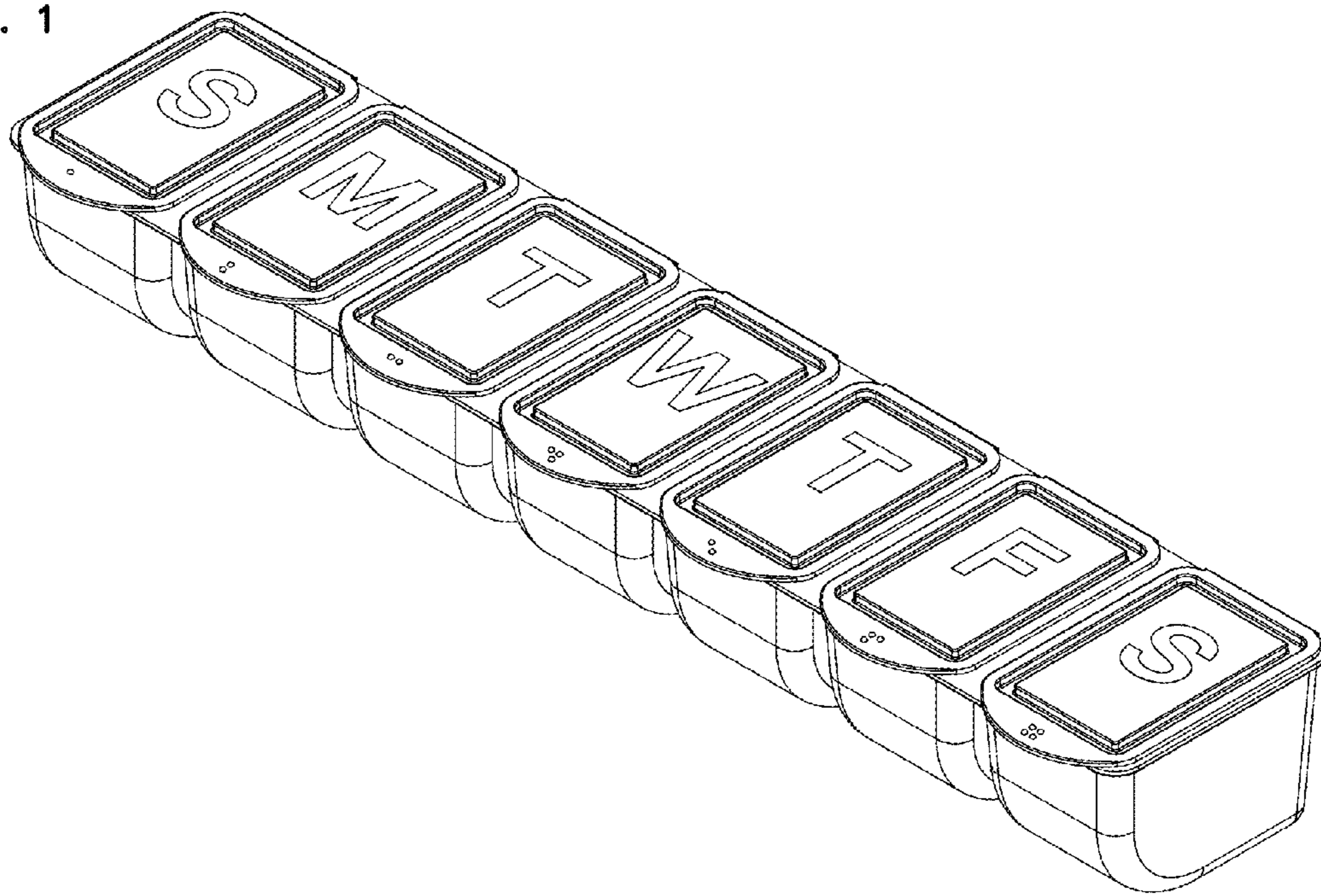


FIG. 2

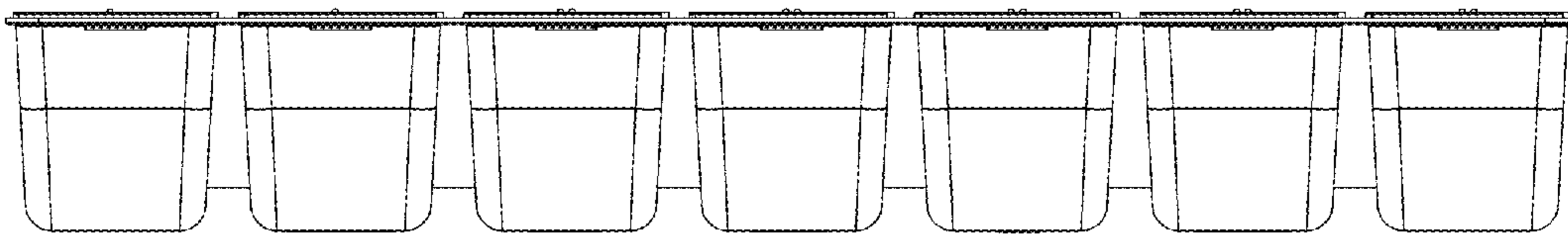


FIG. 3

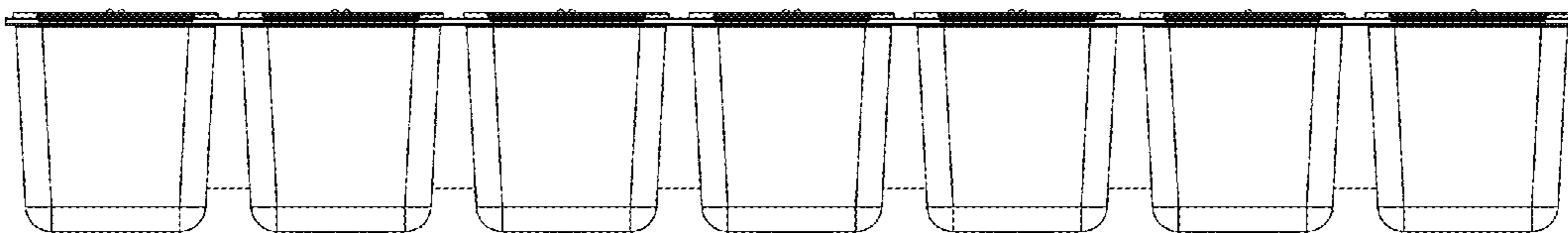


FIG. 4

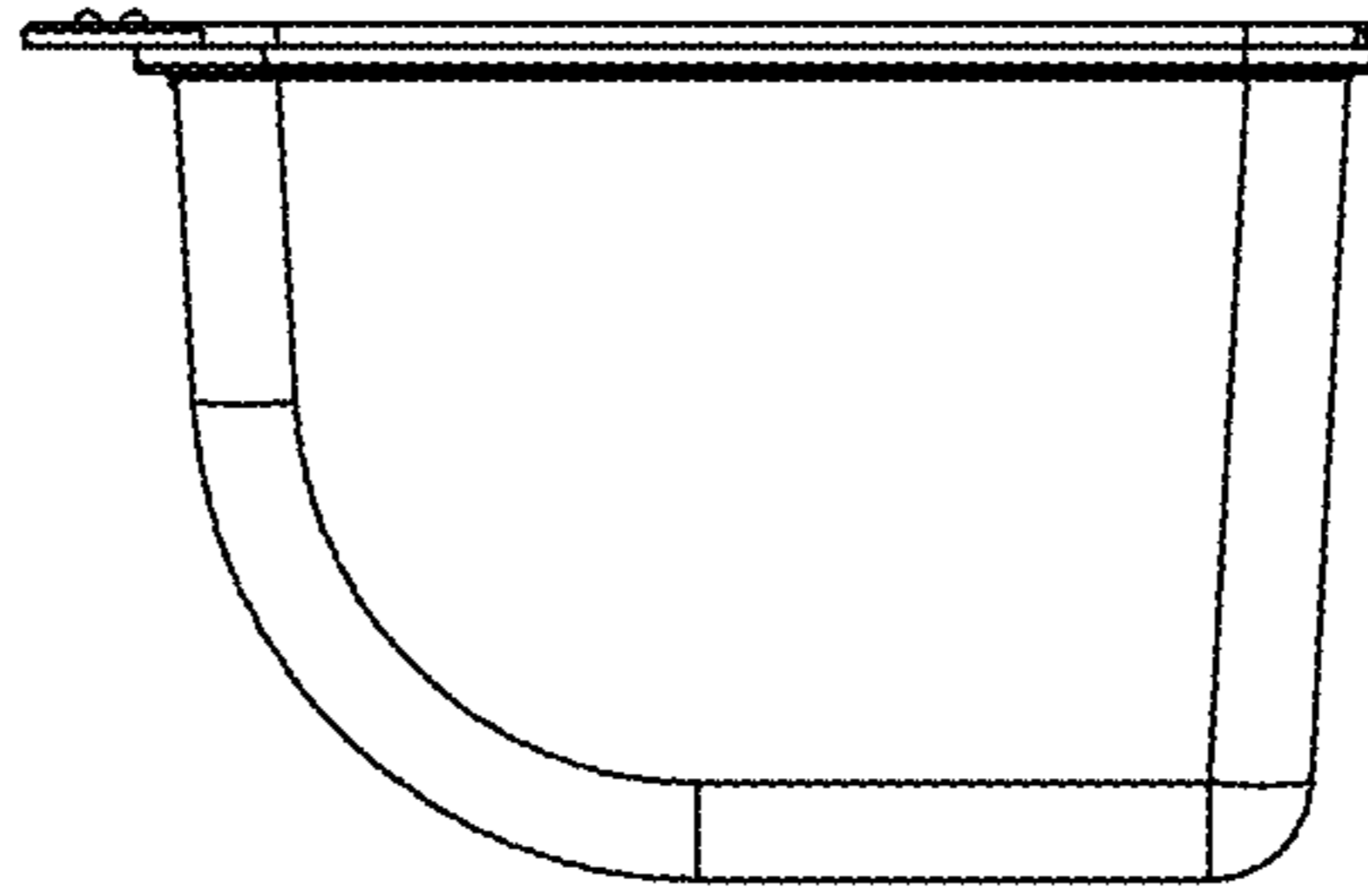


FIG. 5

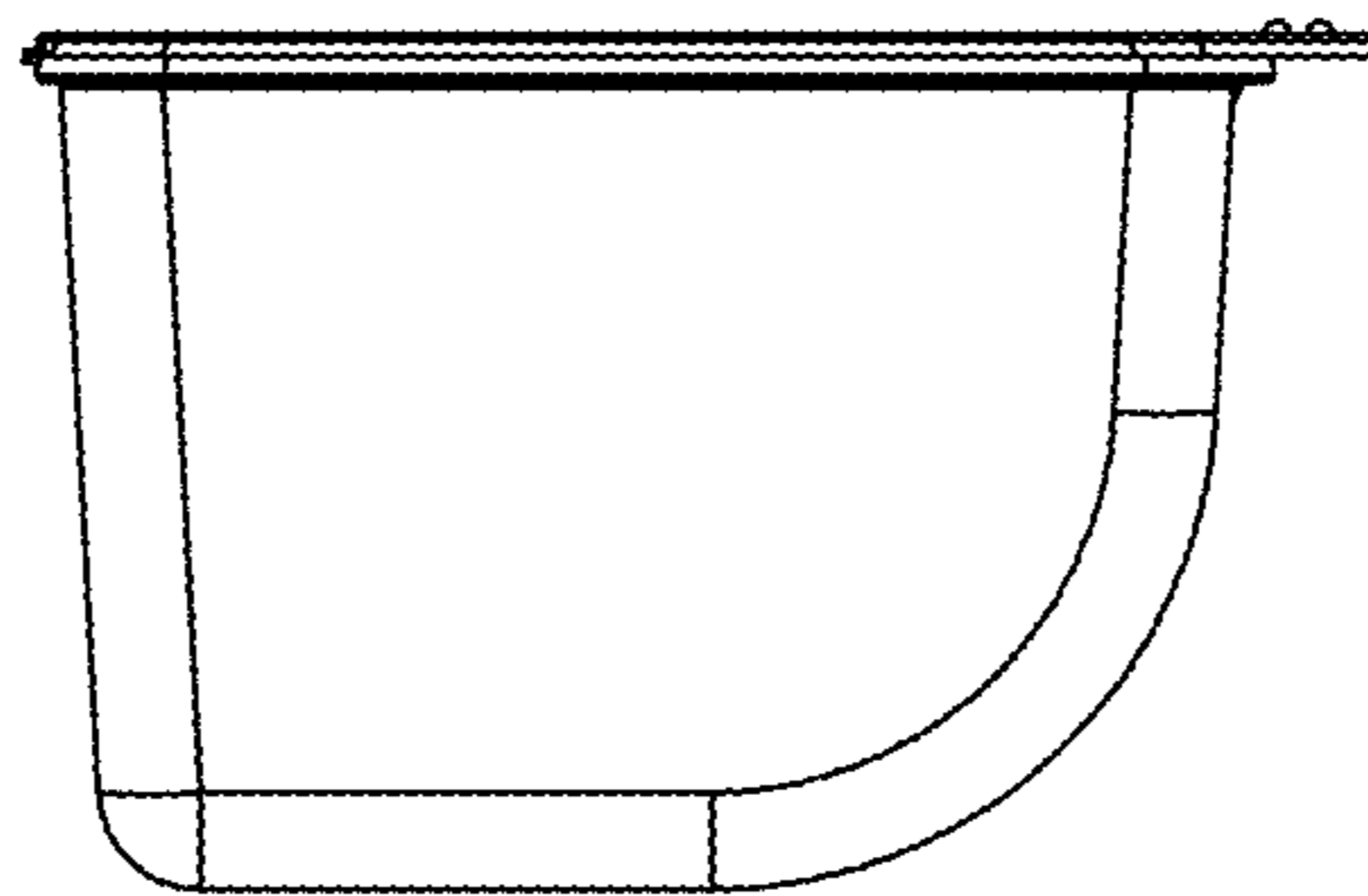


FIG. 6

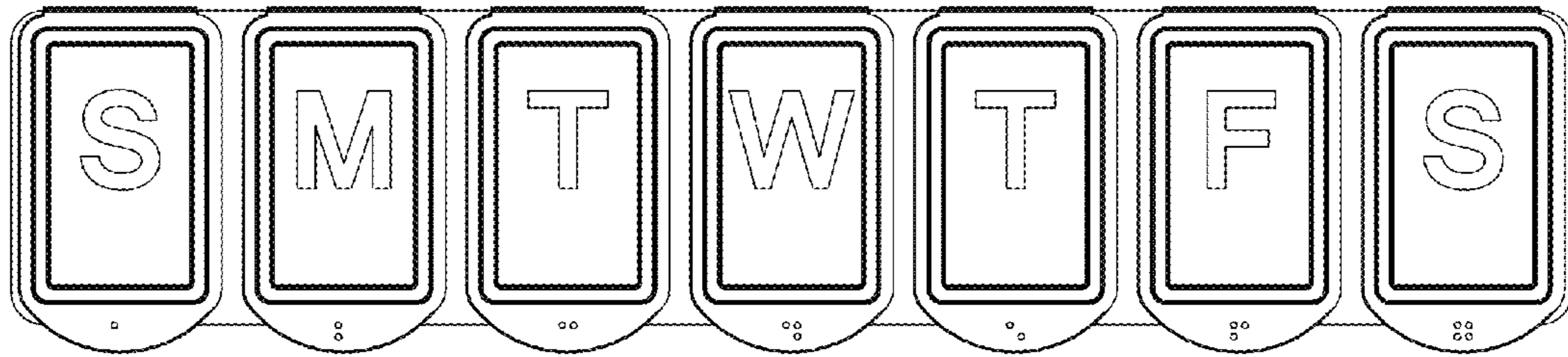


FIG. 7

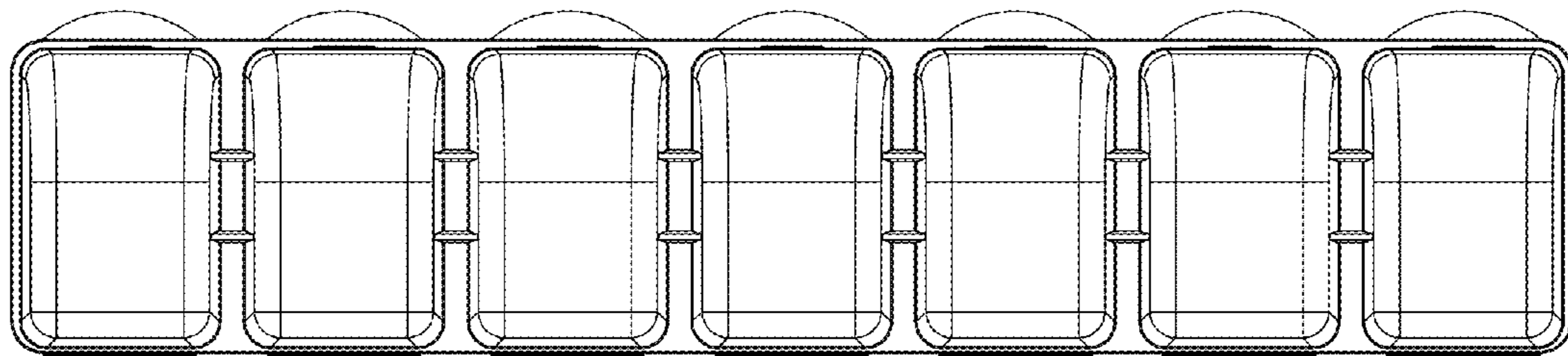


FIG. 8

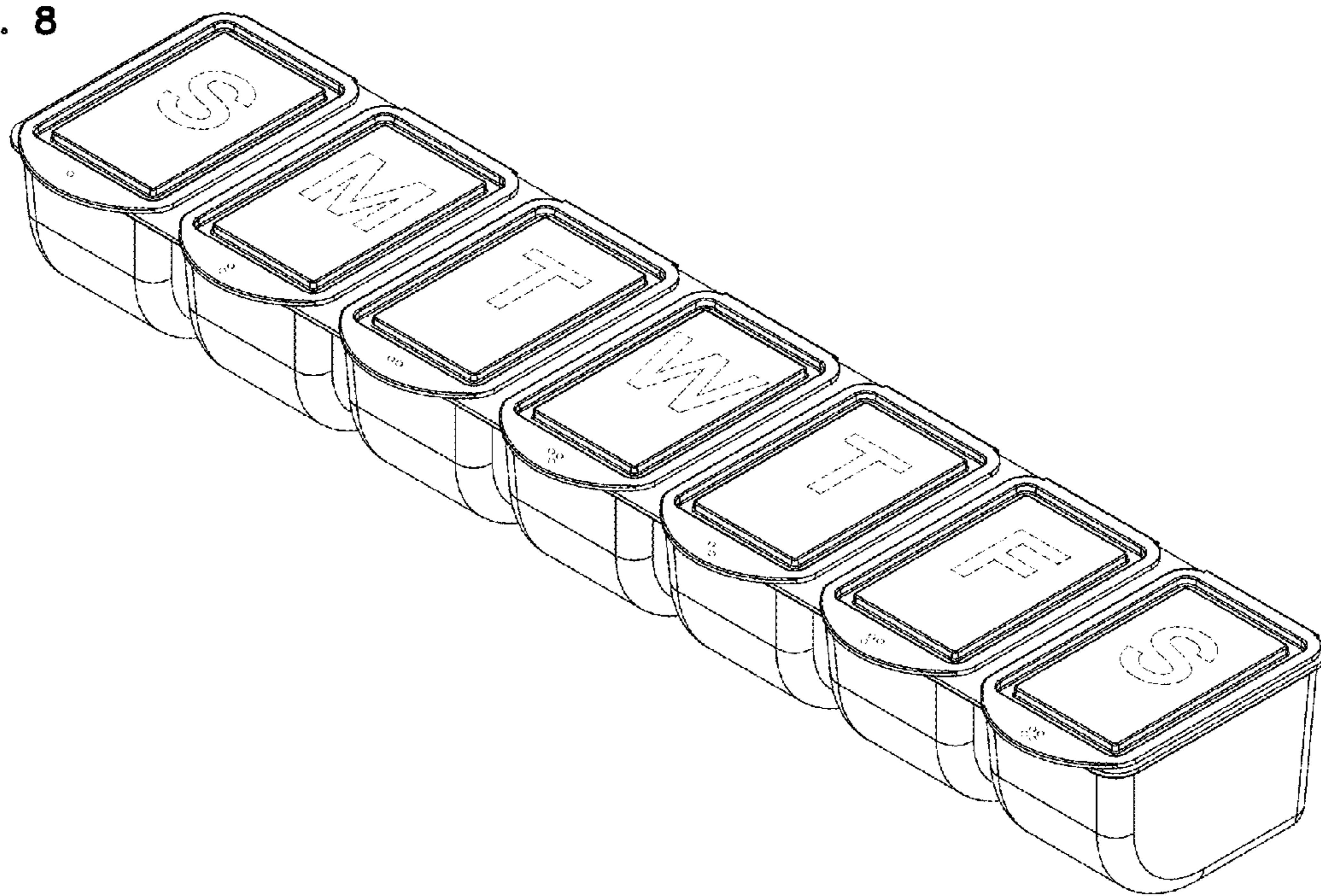


FIG. 9

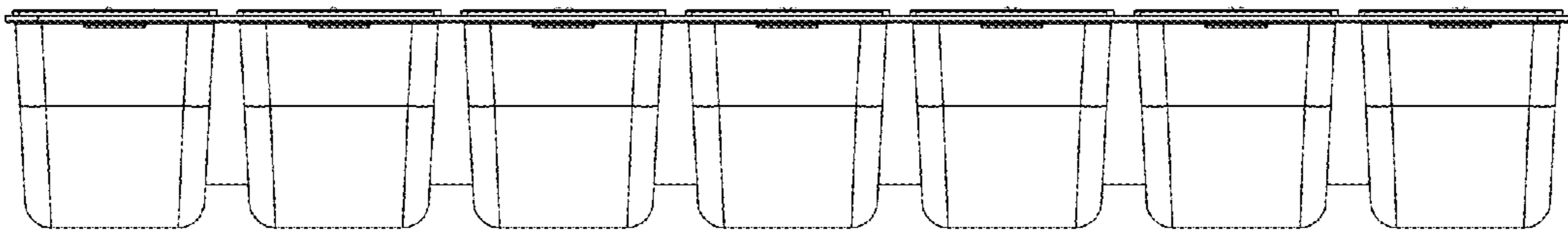


FIG. 10

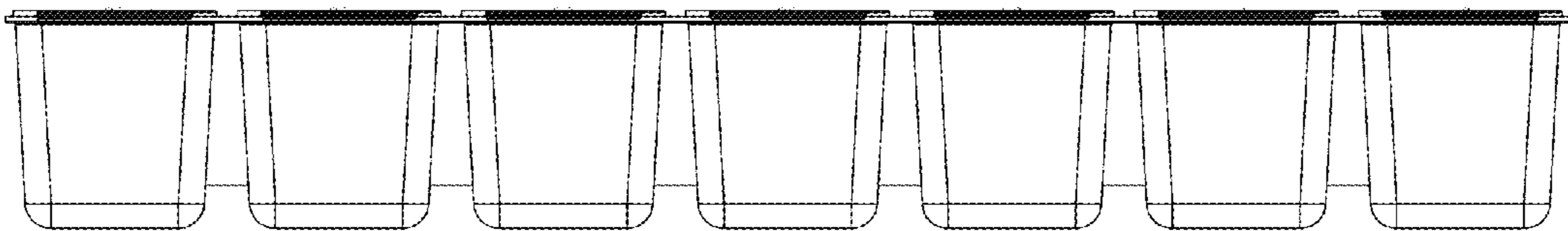




FIG. 11

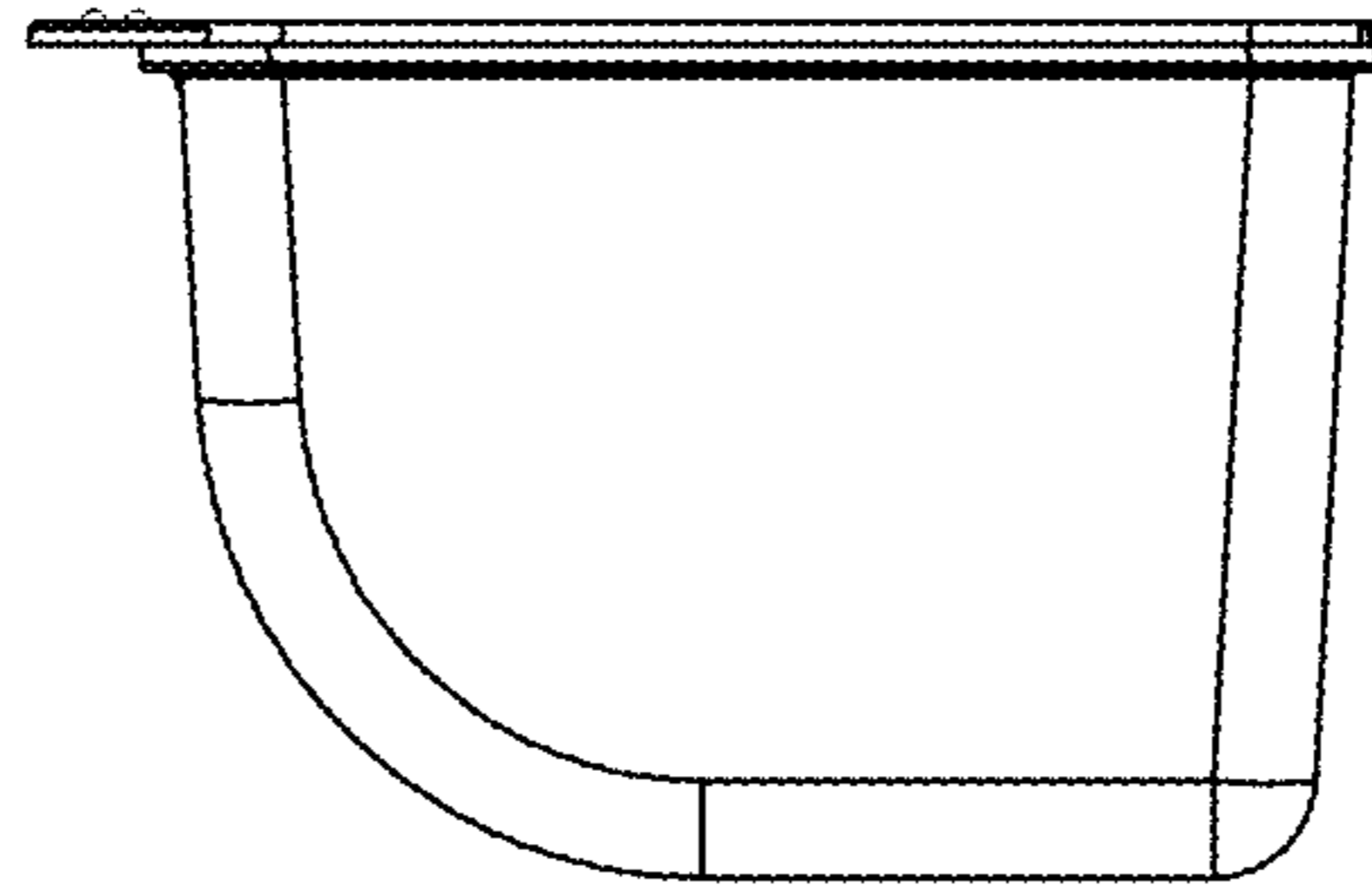


FIG. 12

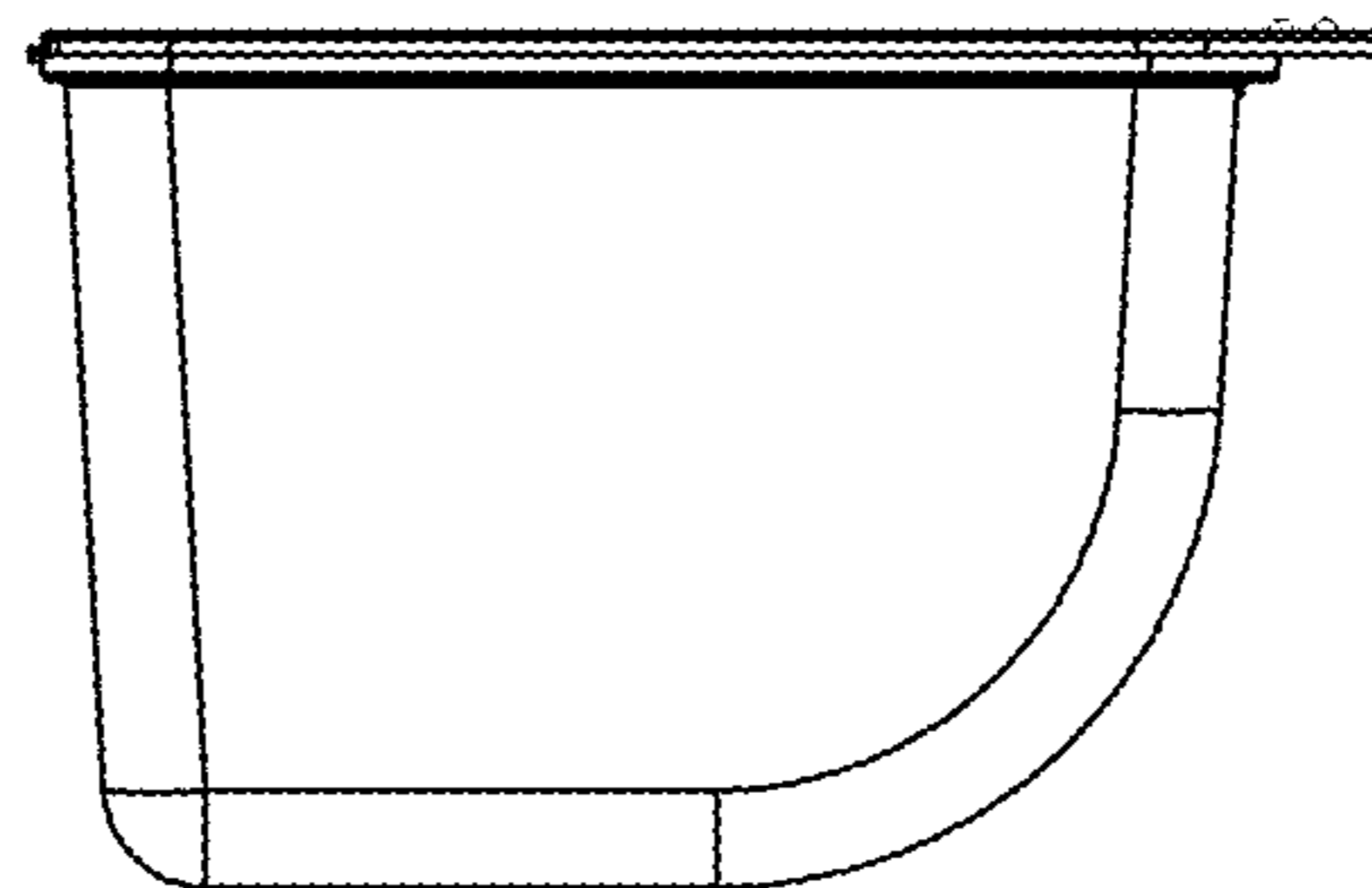


FIG. 13

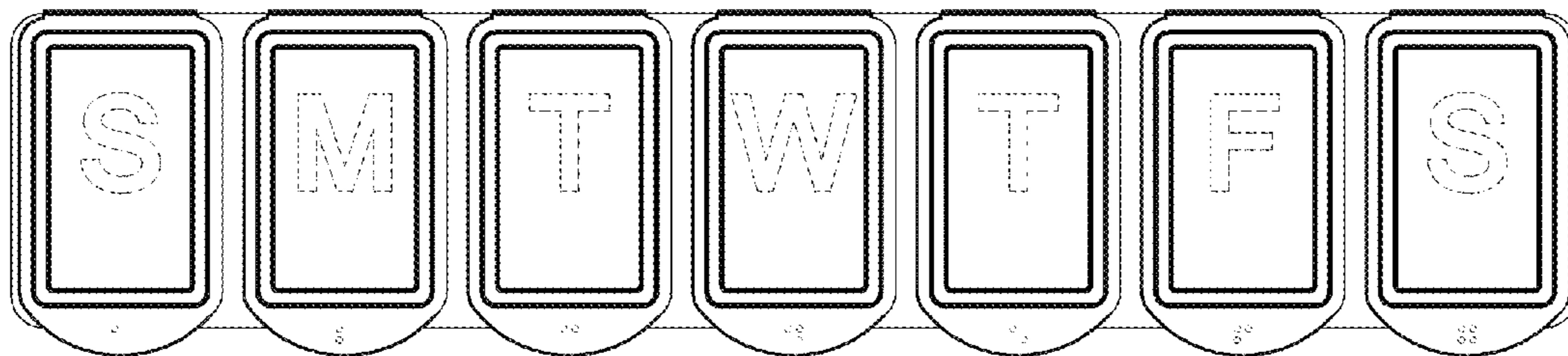


FIG. 14

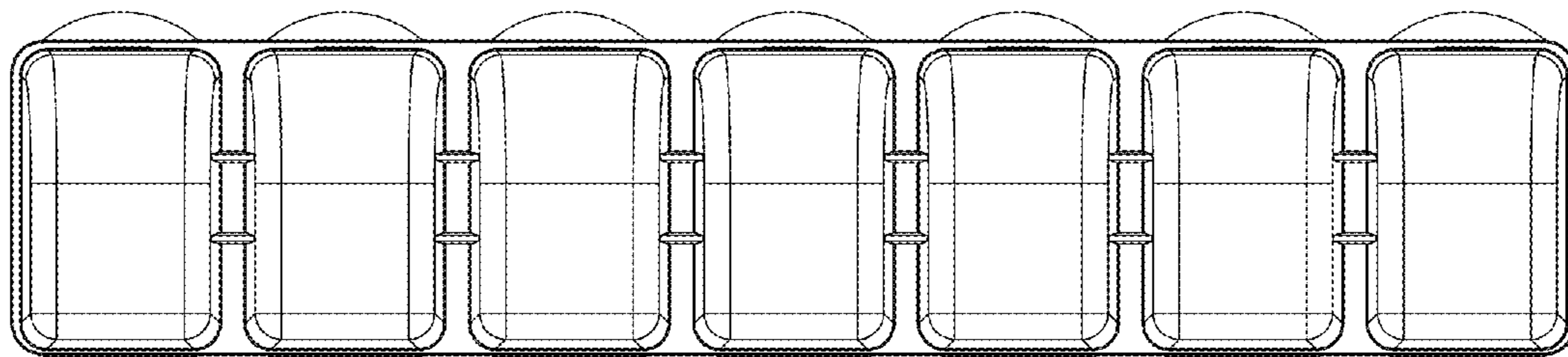


FIG. 15

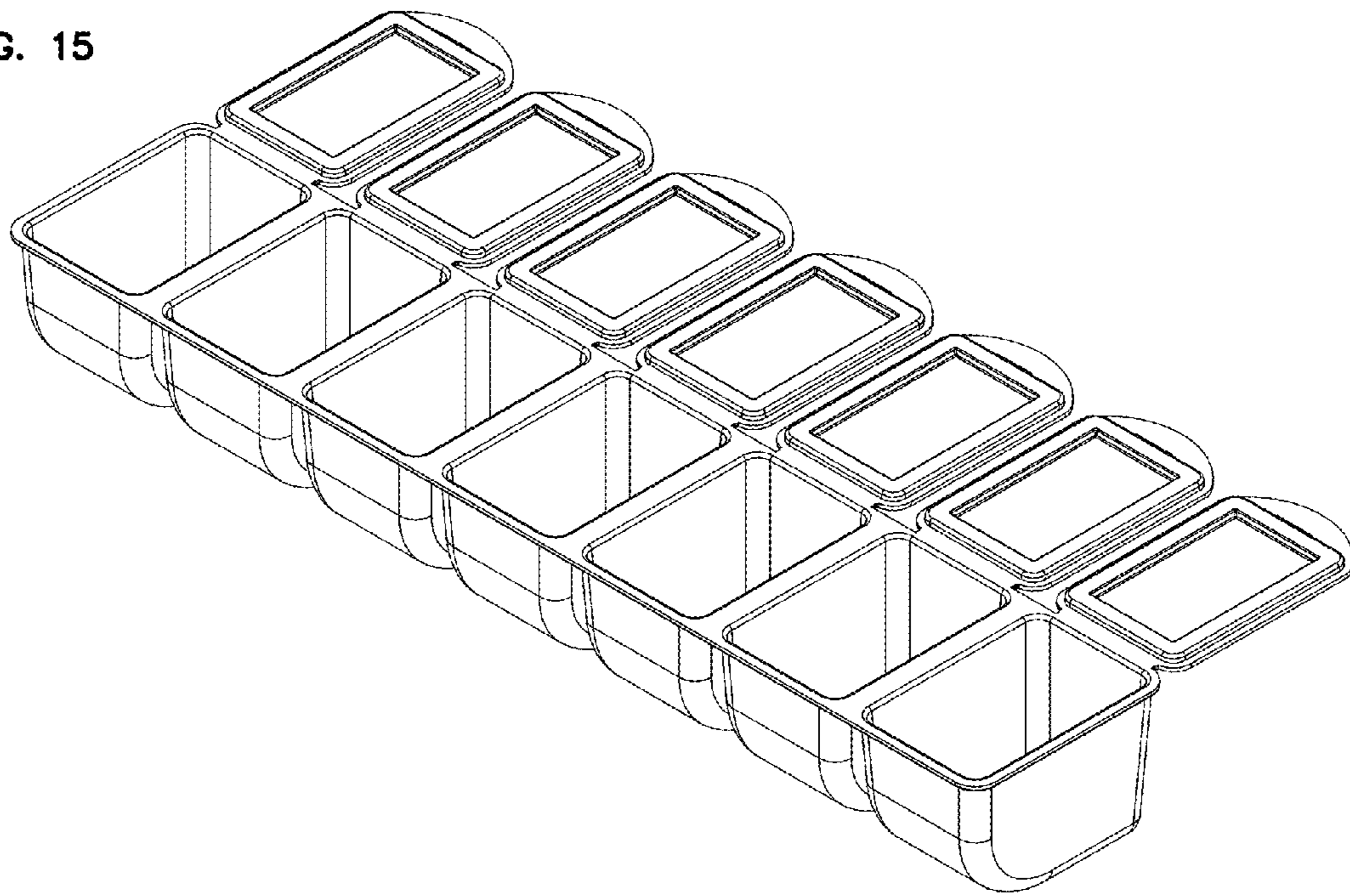


FIG. 16

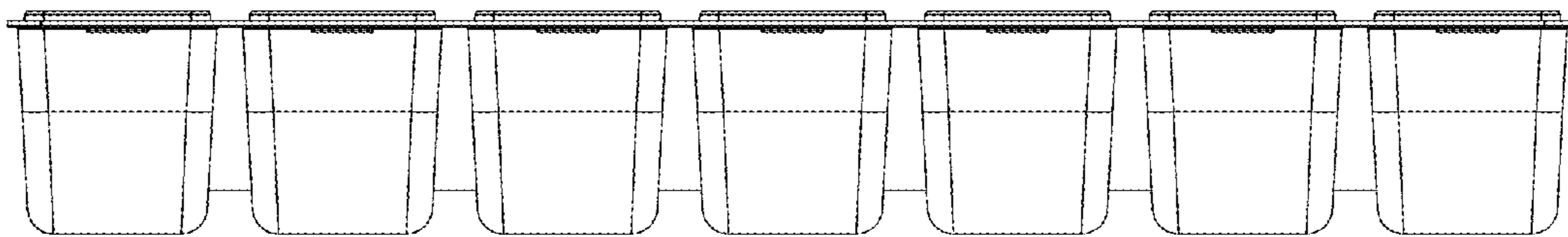


FIG. 17

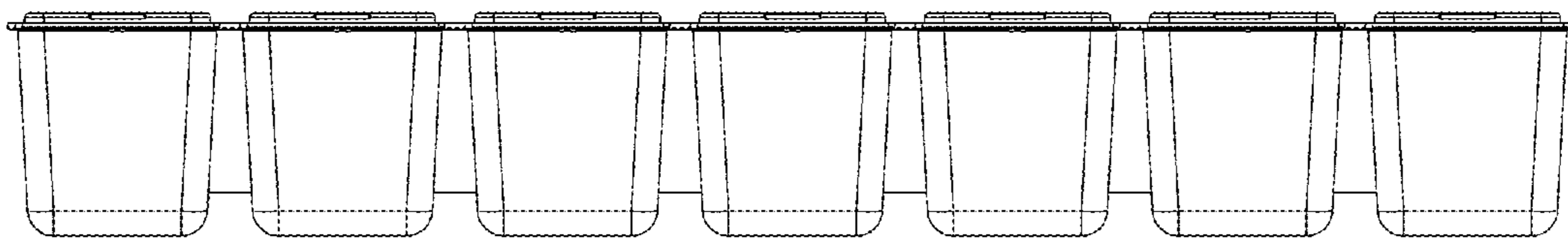


FIG. 18

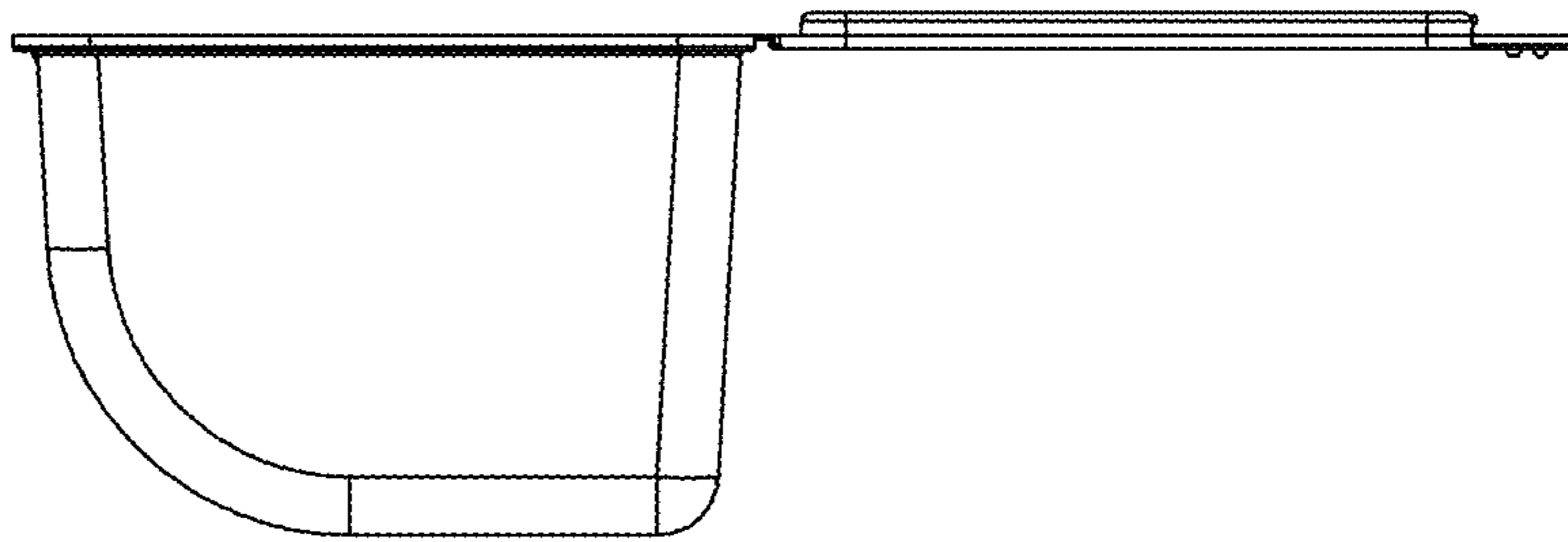


FIG. 19

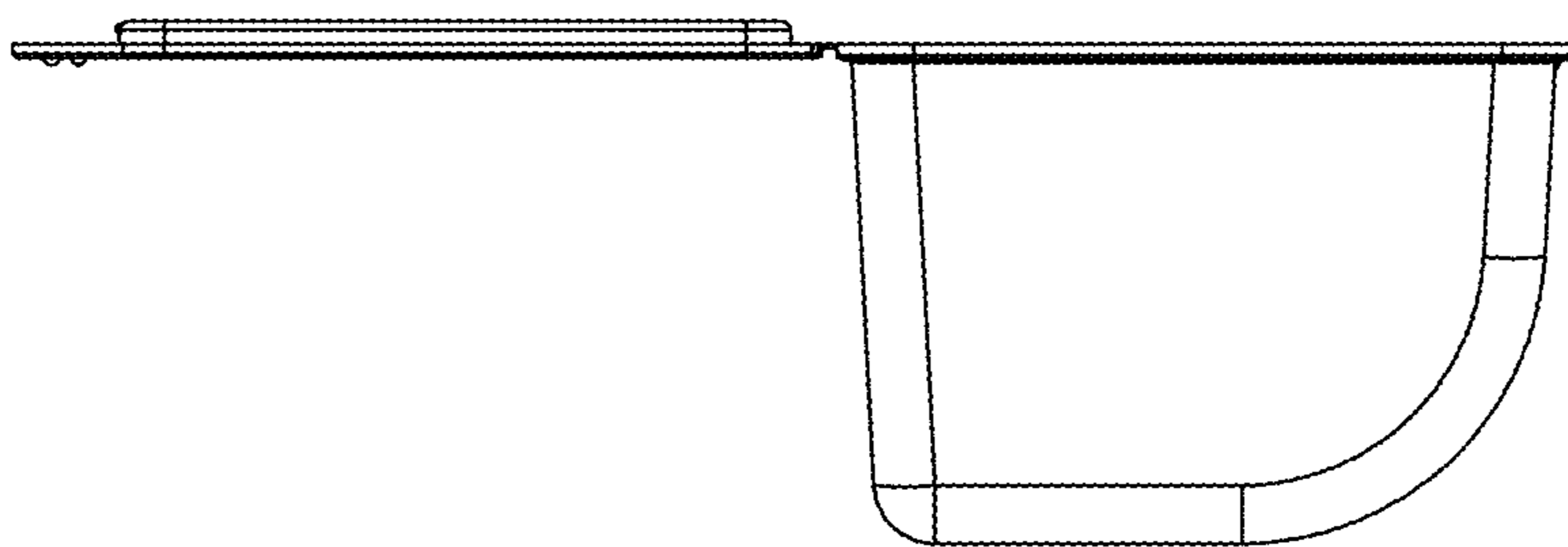


FIG. 20

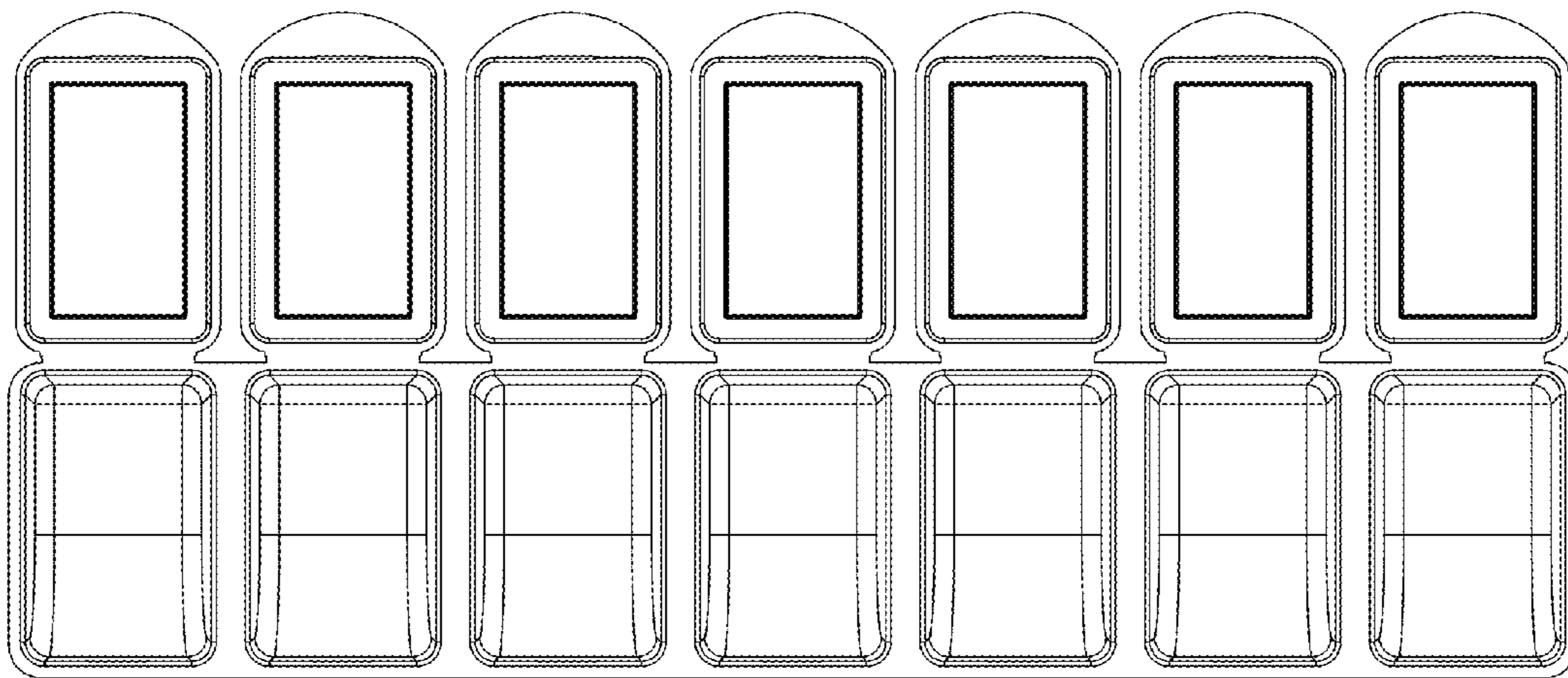


FIG. 21

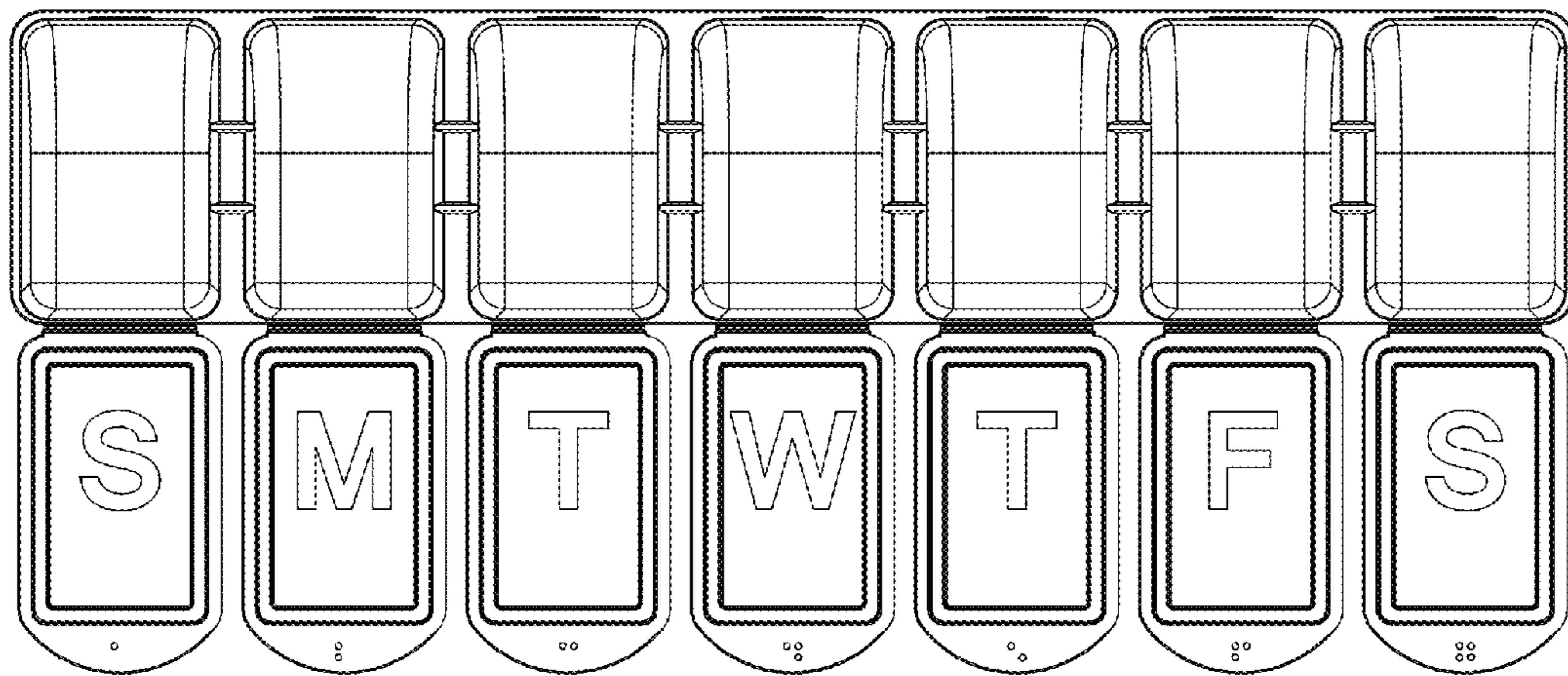


FIG. 22

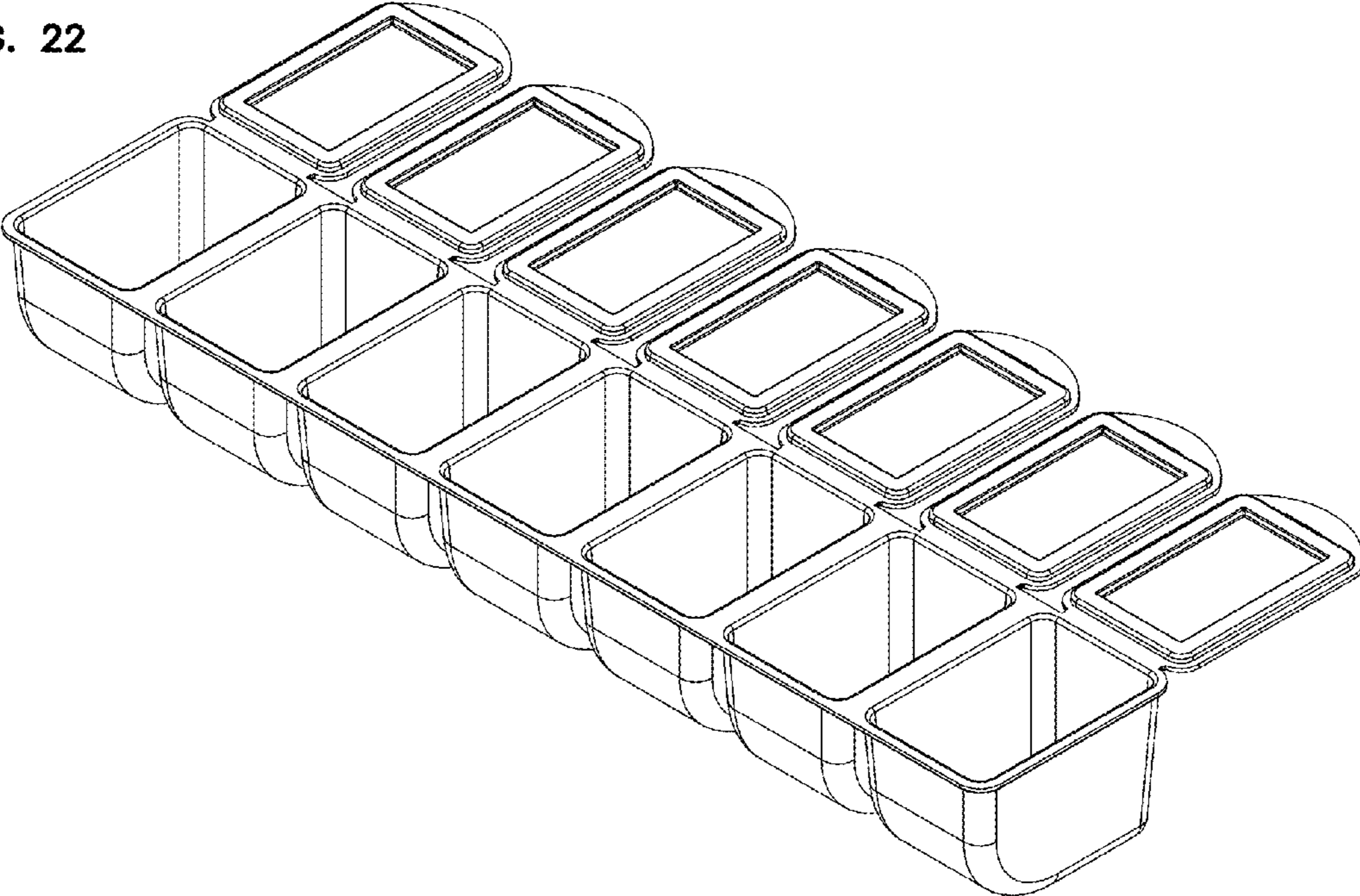




FIG. 23

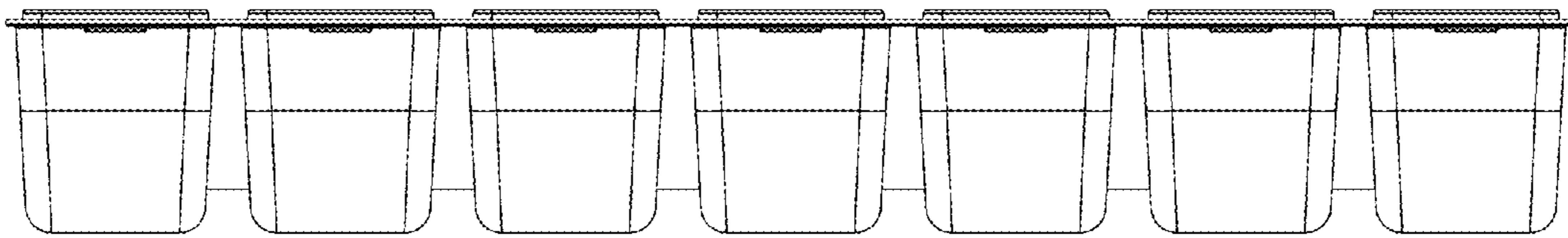


FIG. 24

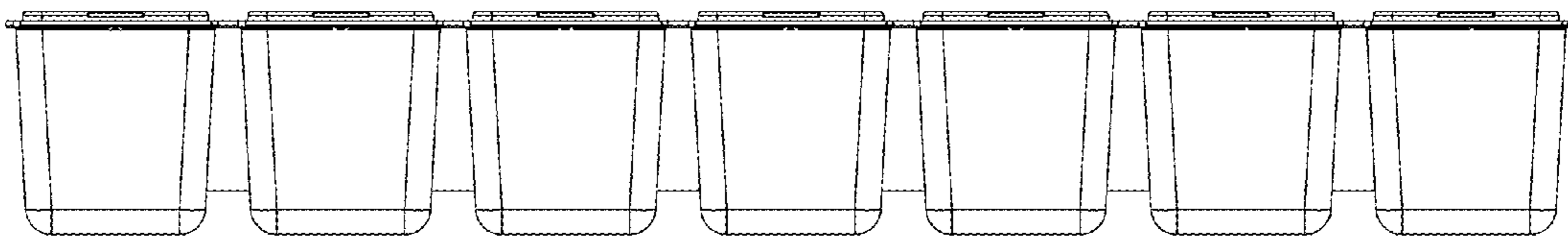


FIG. 25

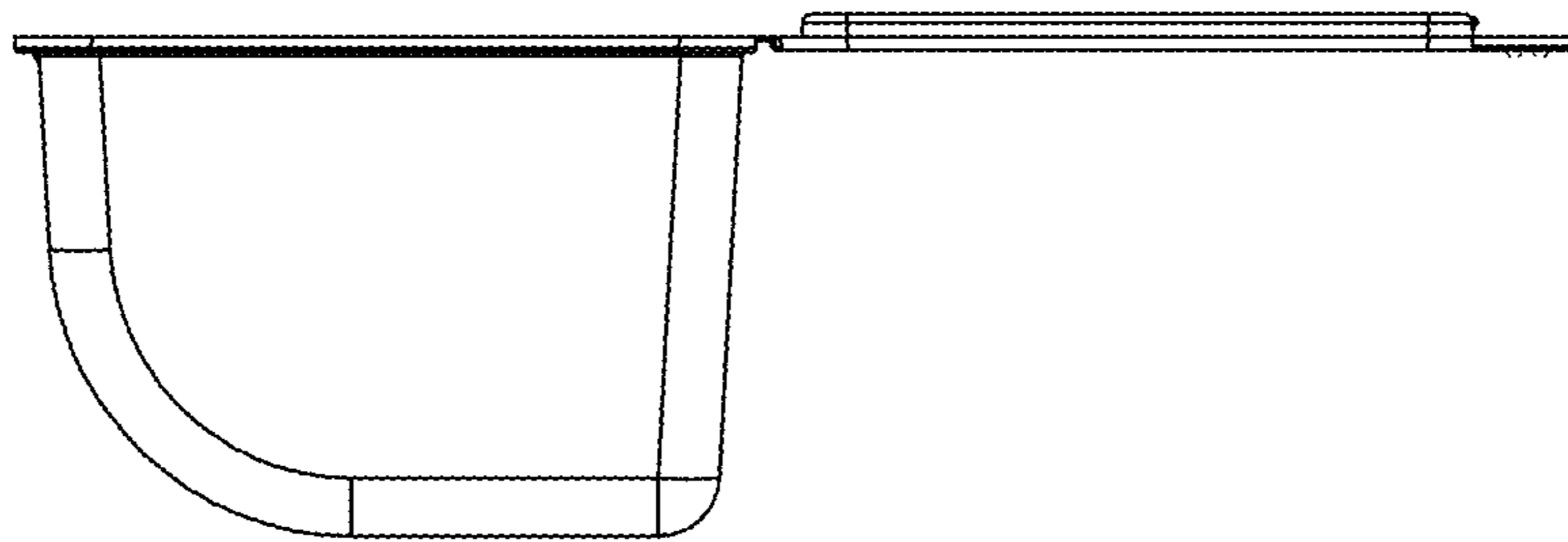


FIG. 26

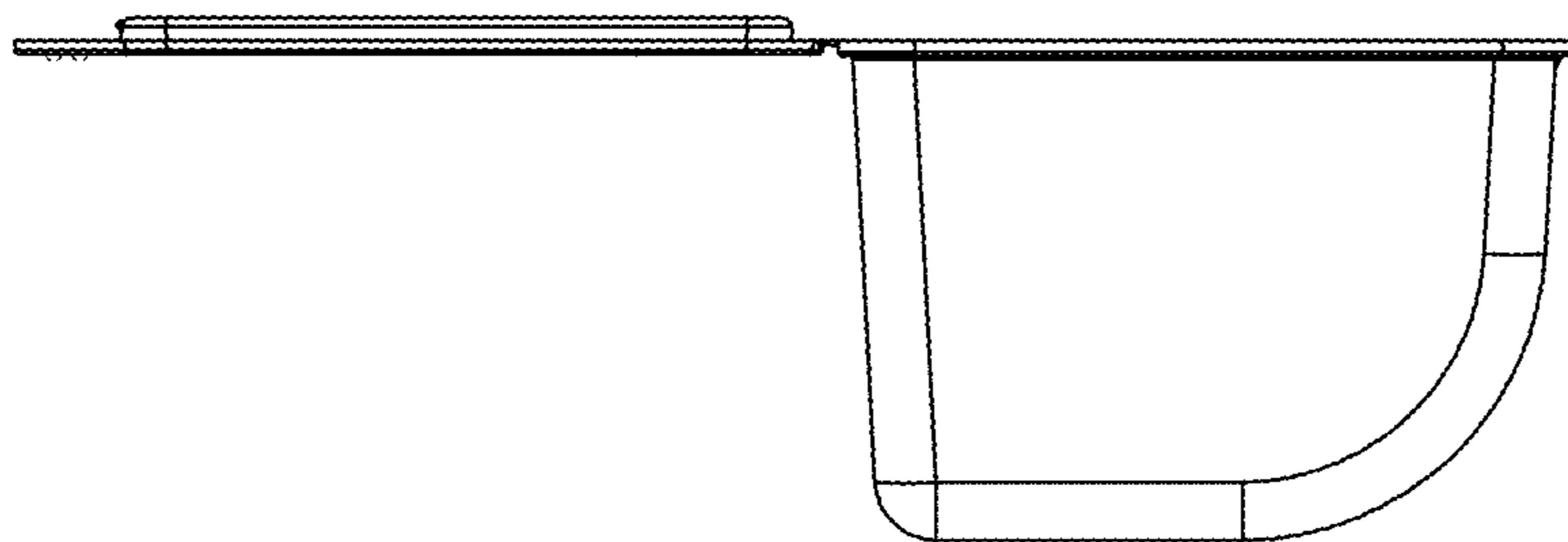


FIG. 27

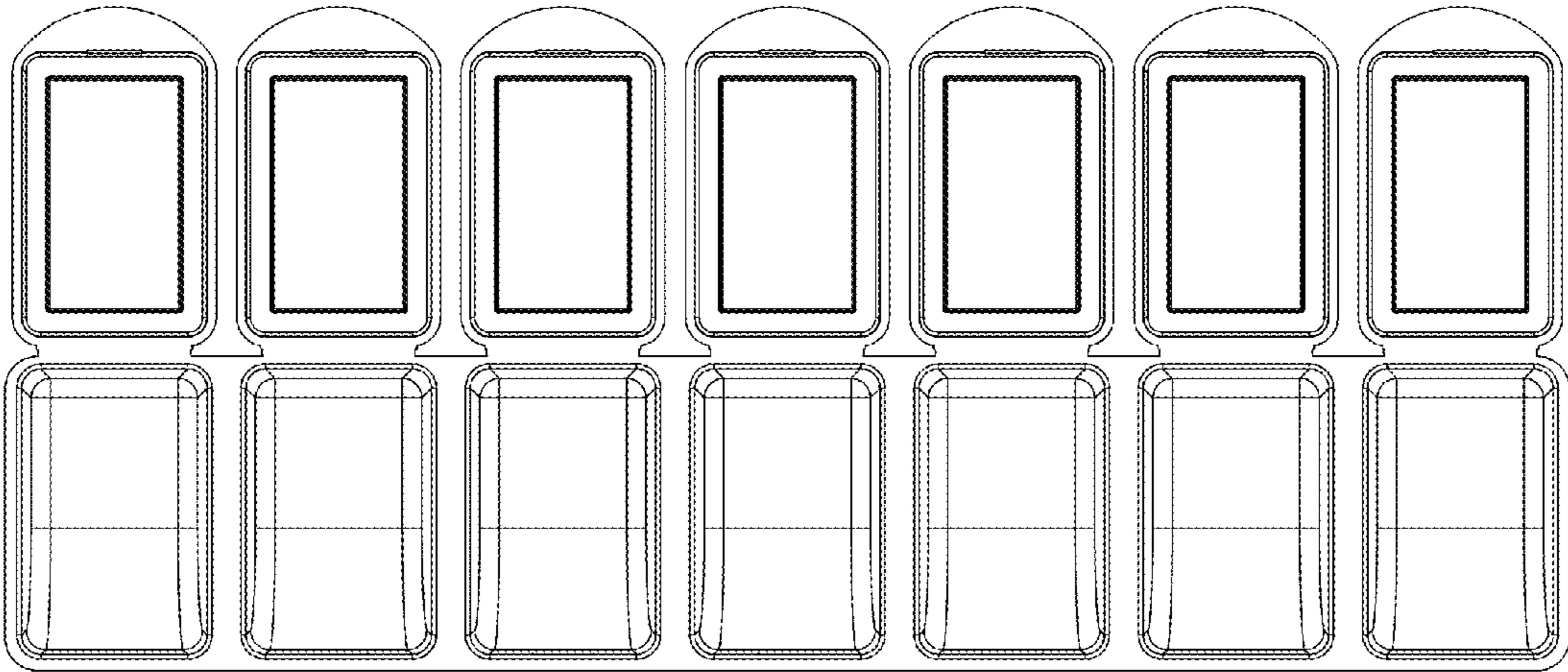


FIG. 28

