



US00D698140S

(12) **United States Design Patent**  
**Parker et al.**

(10) **Patent No.:** **US D698,140 S**

(45) **Date of Patent:** **\*\* Jan. 28, 2014**

(54) **CANE AND FLASH LIGHT COMBINATION**

(76) Inventors: **Kosmin Parker**, Van Nuys, CA (US);  
**Peter Parker**, Van Nuys, CA (US);  
**Sandy Parker**, Van Nuys, CA (US)

(\*\*) Term: **14 Years**

(21) Appl. No.: **29/416,474**

(22) Filed: **Mar. 22, 2012**

(51) **LOC (10) Cl.** ..... **03-03**

(52) **U.S. Cl.**  
USPC ..... **D3/7; D3/13**

(58) **Field of Classification Search**  
USPC ..... D3/3-17; D12/130, 133; 135/65-73,  
135/76-85  
See application file for complete search history.

(56) **References Cited**

U.S. PATENT DOCUMENTS

71,460	A *	11/1867	Crossley	362/102
754,631	A *	3/1904	Allen	362/102
1,079,088	A *	11/1913	Wysocki	362/157
1,128,167	A *	2/1915	Manson	200/60
D56,737	S *	12/1920	Chmielewski	D3/13
2,259,443	A *	10/1941	Geier	362/102
D154,627	S *	7/1949	Peterlin et al.	D26/38
2,478,325	A *	8/1949	Russell	362/102
2,534,179	A *	12/1950	Peterson et al.	362/190
D230,531	S *	2/1974	Thomas	D3/9
4,788,995	A *	12/1988	Rushing	135/16

4,837,666	A *	6/1989	Conkle	362/102
4,872,468	A *	10/1989	Cole	135/16
D336,361	S *	6/1993	Stanwood et al.	D3/5
5,580,157	A	12/1996	Patricca et al.	
5,588,735	A	12/1996	Harada	
5,722,445	A	3/1998	Hae et al.	
D408,126	S *	4/1999	Hunnicut, Jr. et al.	D3/7
D410,328	S *	6/1999	Alajajian et al.	D3/13
D417,068	S *	11/1999	Swercheck et al.	D3/7
D441,950	S *	5/2001	Suen	D3/7
D483,558	S *	12/2003	Tran	D3/5
6,772,778	B2	8/2004	Morosini et al.	
D555,350	S *	11/2007	Graves et al.	D3/7
D620,161	S *	7/2010	Kang et al.	D26/45
D646,885	S *	10/2011	You	D3/5
8,459,282	B2 *	6/2013	Gorey et al.	135/66

\* cited by examiner

*Primary Examiner* — John Windmuller

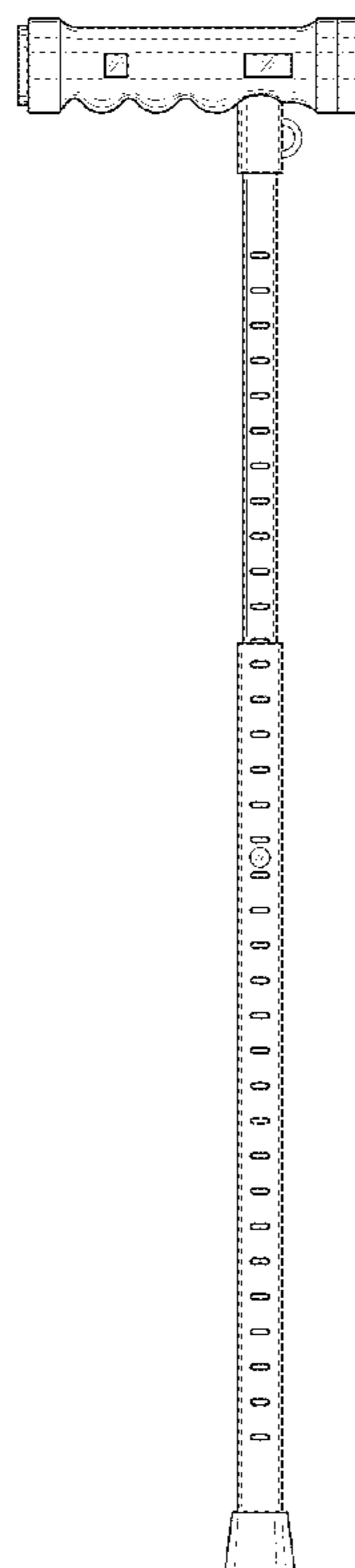
(57) **CLAIM**

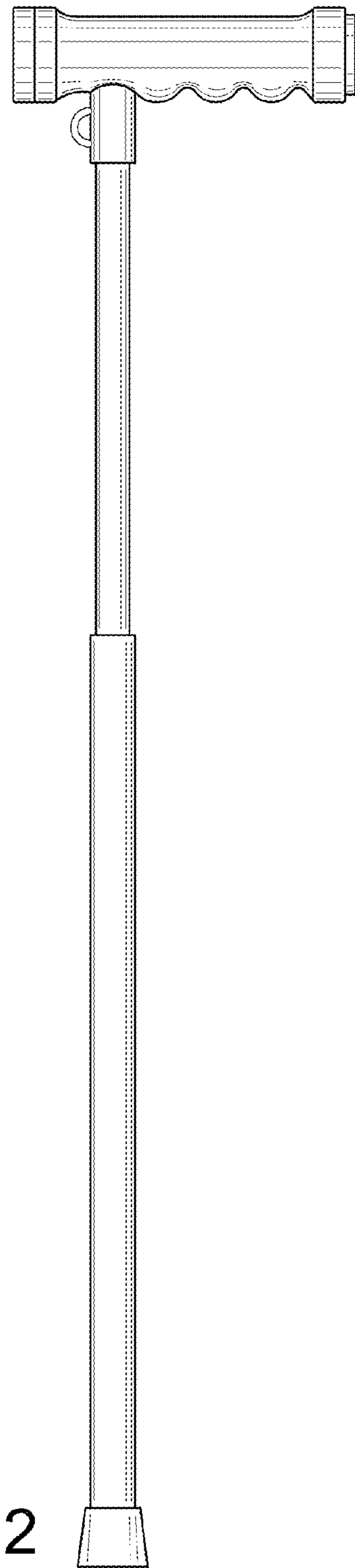
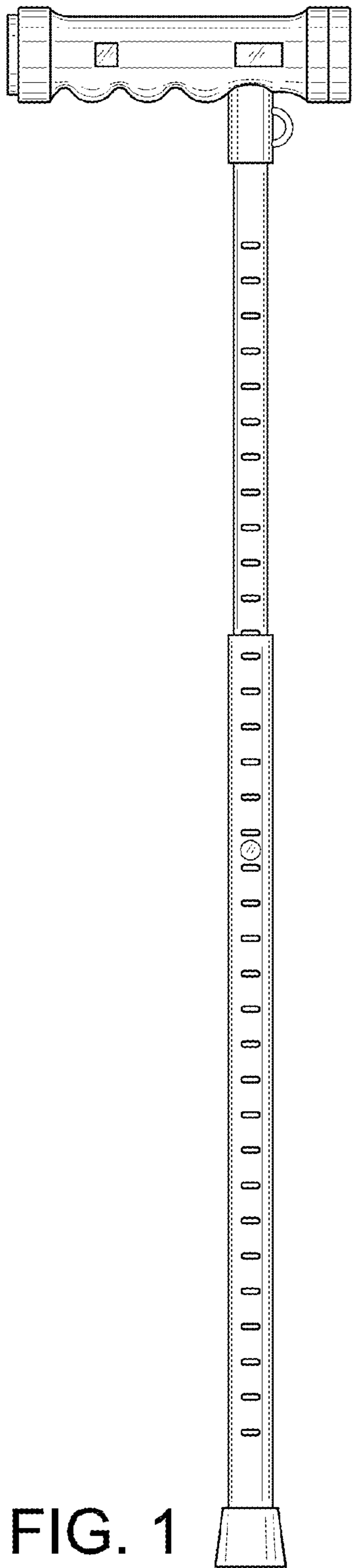
The ornamental design for a cane and flash light combination, as shown and described.

**DESCRIPTION**

FIG. 1 is a front elevation view of a cane and flash light combination showing our new design; FIG. 2 is a rear elevation view thereof; FIG. 3 is a right elevation view thereof; FIG. 4 is a left elevation view thereof; FIG. 5 is a top plan view thereof; and, FIG. 6 is a bottom plan view thereof.

**1 Claim, 2 Drawing Sheets**





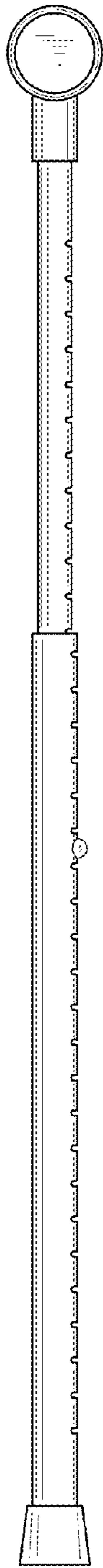


FIG. 3

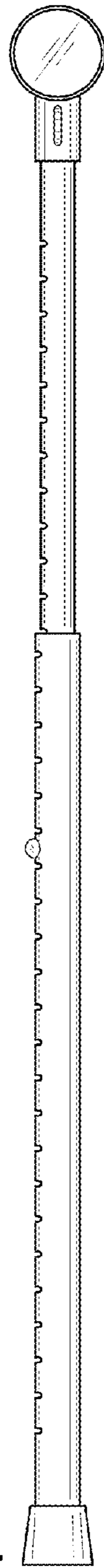


FIG. 4

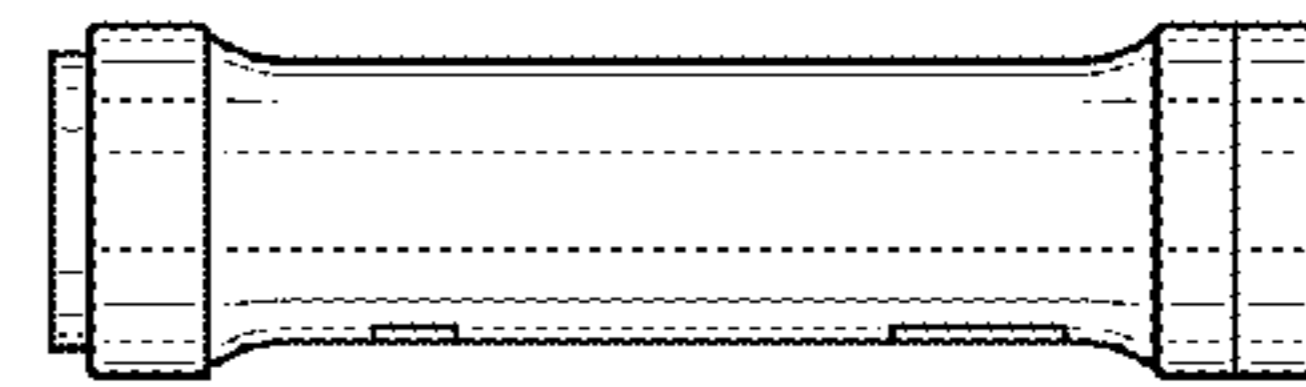


FIG. 5

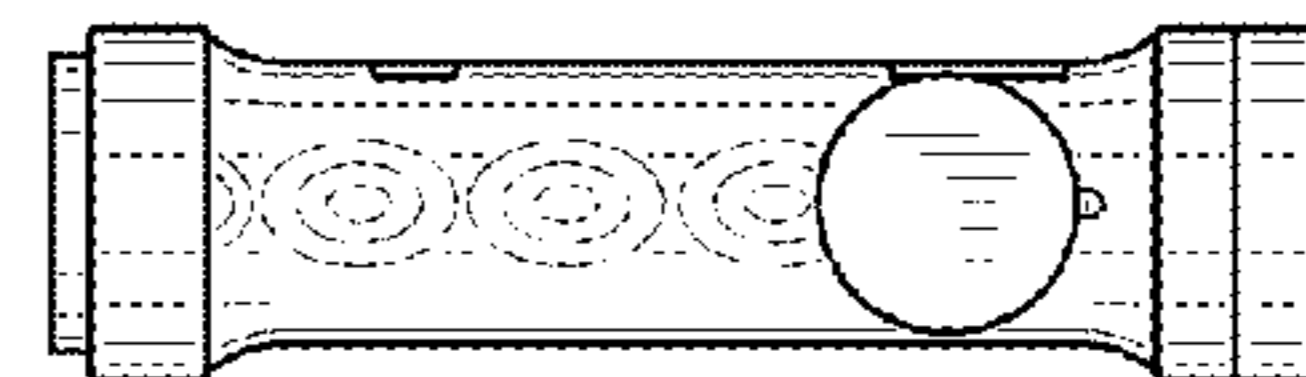


FIG. 6