



US00D698138S

(12) **United States Design Patent**
Reaux

(10) **Patent No.:** **US D698,138 S**
(45) **Date of Patent:** **** Jan. 28, 2014**

- (54) **FOOTWEAR UPPER LINK WITH THEME**
- (76) Inventor: **Brian K. Reaux**, Red Oak, TX (US)
- (**) Term: **14 Years**
- (21) Appl. No.: **29/421,512**
- (22) Filed: **Aug. 6, 2012**
- (51) **LOC (10) Cl.** **02-04**
- (52) **U.S. Cl.**
USPC **D2/969; D2/976**
- (58) **Field of Classification Search**
USPC D02/896–900, 916–917, 946, 952, 969,
D02/976; 36/45, 136, 137, 50.1; D11/40,
D11/47, 79, 86, 95; 24/712, 714
See application file for complete search history.

- D613,938 S * 4/2010 Alexander D2/976
- D623,839 S * 9/2010 Leleu D2/972
- D627,146 S * 11/2010 Kantor et al. D2/976
- D634,523 S * 3/2011 Hirschfeld et al. D2/946

* cited by examiner

Primary Examiner — Robert M Spear
Assistant Examiner — Rashida C McCoy

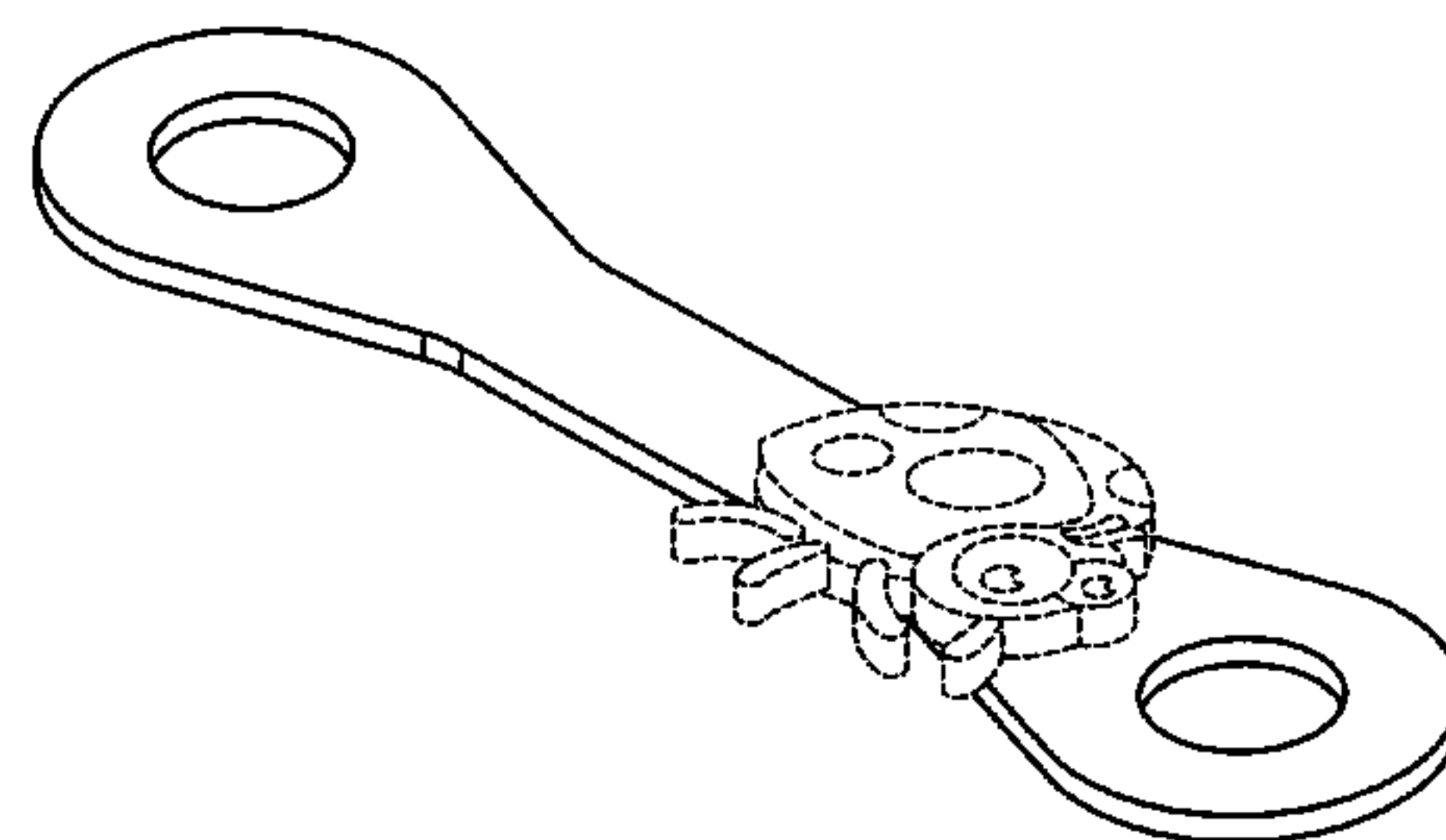
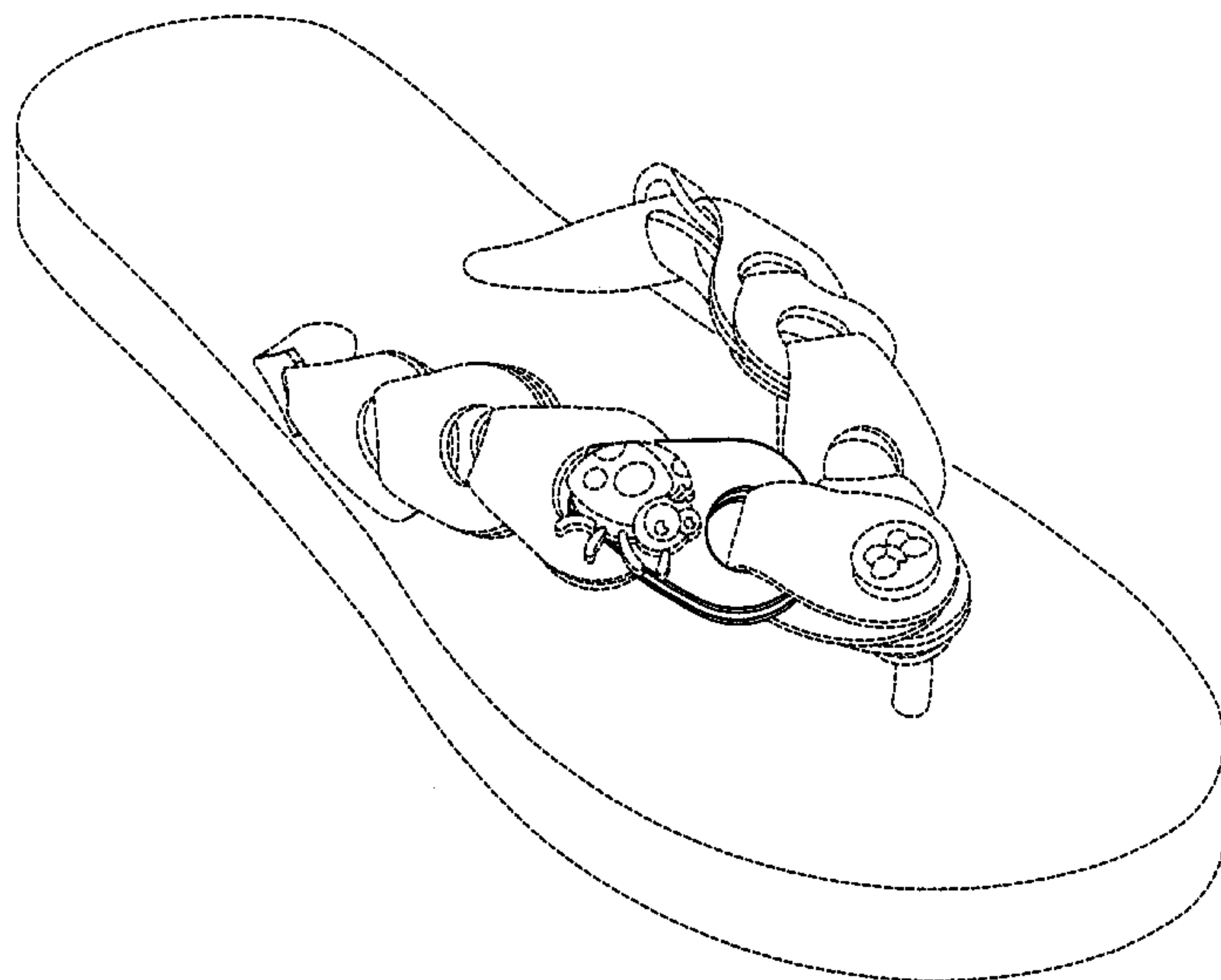
(57) **CLAIM**
The ornamental design for a footwear upper link with theme, as shown and described.

DESCRIPTION

FIG. 1 is a perspective view of a footwear upper link with theme, showing my new design in use;
FIG. 2 is a perspective view of a footwear upper link with theme, shown in an unfolded condition;
FIG. 3 is a top view thereof;
FIG. 4 is a back view thereof;
FIG. 5 is a front view thereof;
FIG. 6 is a bottom view thereof;
FIG. 7 is a left side view thereof; and,
FIG. 8 is a right side view thereof.
The broken lines in the drawings represent unclaimed environmental subject matter and form no part of the claim.

- (56) **References Cited**
U.S. PATENT DOCUMENTS
- D404,770 S * 1/1999 Meade et al. D20/24
- 6,477,754 B1 * 11/2002 Alexander 24/712
- D509,348 S * 9/2005 Brewer D2/972
- D548,432 S * 8/2007 Martin D2/946
- D550,430 S * 9/2007 Martin, Jr. D2/946
- D556,441 S * 12/2007 Athouriste D2/976
- D570,092 S * 6/2008 Della Valle D2/976
- D575,038 S * 8/2008 Huston D2/946
- D579,194 S * 10/2008 Caylor D2/976

1 Claim, 3 Drawing Sheets



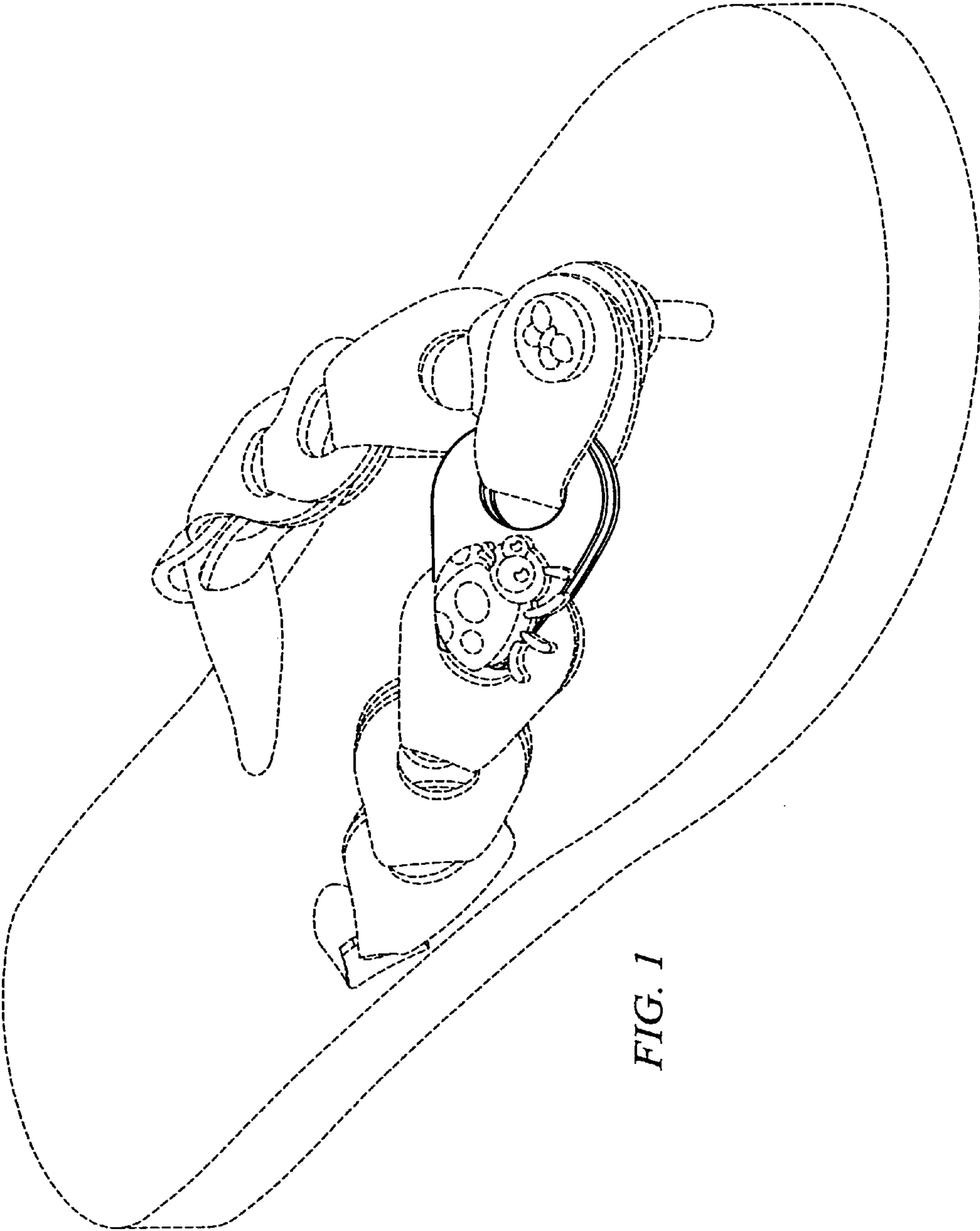


FIG. 1

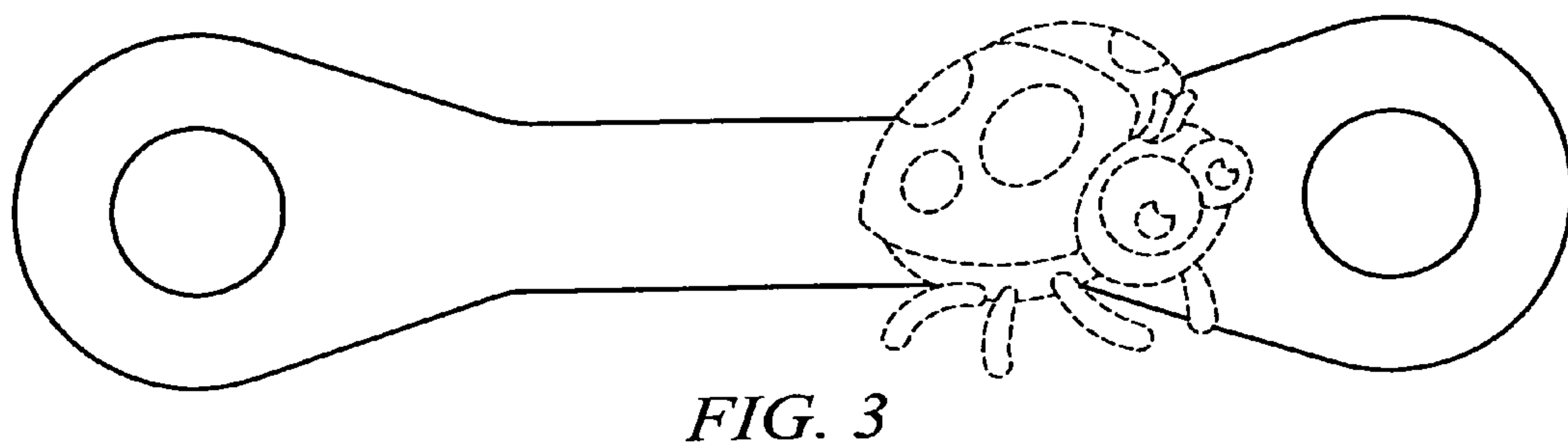
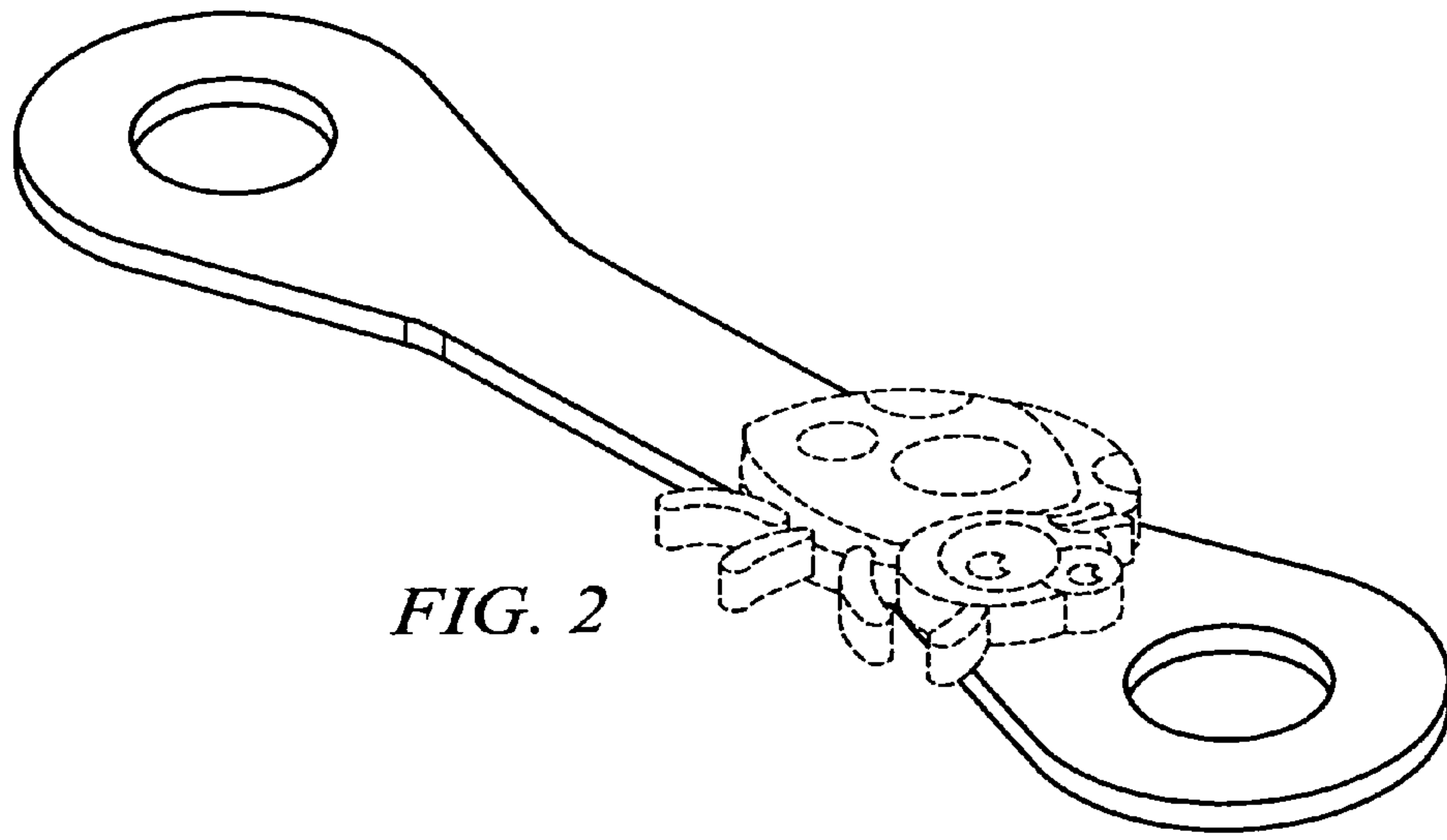




FIG. 4



FIG. 5

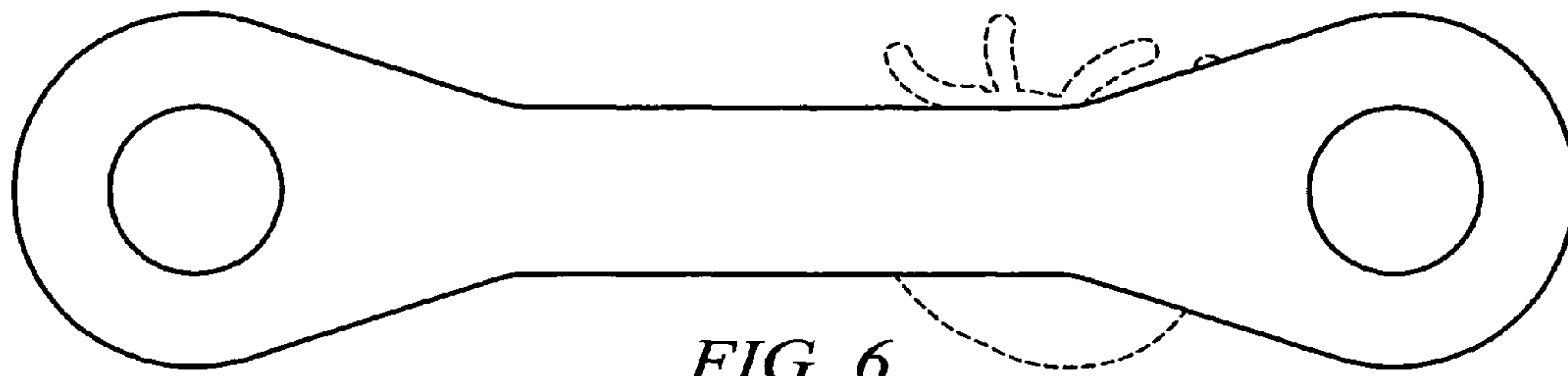


FIG. 6

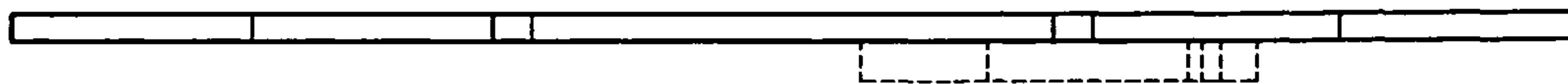


FIG. 7



FIG. 8