



US00D698118S

(12) **United States Design Patent**
Denning

(10) **Patent No.:** **US D698,118 S**
(45) **Date of Patent:** **** Jan. 28, 2014**

- (54) **MEN'S BOXER BRIEFS**
- (75) Inventor: **Rochelle Denning**, Springfield, NJ (US)
- (73) Assignee: **EasyUndies, LLC**, Springfield, NJ (US)
- (**) Term: **14 Years**
- (21) Appl. No.: **29/411,129**
- (22) Filed: **Jan. 17, 2012**
- (51) **LOC (10) Cl.** **02-01**
- (52) **U.S. Cl.**
USPC **D2/712**
- (58) **Field of Classification Search**
USPC D2/712, 713, 714, 715, 716, 731, 736,
D2/737, 739, 742, 860, 863, 864; 2/46, 53,
2/54, 67, 73, 78.1, 78.2, 78.3, 227, 228,
2/235, 236, 237, 238, 272, 400, 401, 402,
2/403, 404, 405, 406, 407, 408; 450/100,
450/101, 102, 103, 104; 602/67; 604/345,
604/359, 387
See application file for complete search history.

(56) **References Cited**

U.S. PATENT DOCUMENTS

| | | | | | |
|-----------|-----|---------|---------------|-------|--------|
| 1,995,531 | A * | 3/1935 | Bachelis | | 2/67 |
| RE20,567 | E * | 12/1937 | Bachelis | | 2/67 |
| 2,319,138 | A | 5/1943 | Kneibler | | |
| 2,486,499 | A * | 11/1949 | Schoendorf | | 2/404 |
| 2,505,219 | A * | 4/1950 | Spare | | 2/404 |
| 2,618,266 | A * | 11/1952 | De Leone | | 2/402 |
| 2,824,560 | A * | 2/1958 | Clinton | | 602/67 |
| 4,258,440 | A * | 3/1981 | McGowan | | 2/114 |
| 4,586,199 | A * | 5/1986 | Birring | | 2/401 |
| 5,014,364 | A * | 5/1991 | Orr | | 2/408 |
| D378,947 | S | 4/1997 | Desmond | | |
| 5,987,650 | A * | 11/1999 | Carroll | | 2/244 |
| D417,940 | S * | 12/1999 | Coates et al. | | D2/713 |

| | | | | | |
|--------------|------|---------|----------------|-------|---------|
| D470,993 | S | 3/2003 | Anderson | | |
| 6,895,603 | B2 * | 5/2005 | Coates | | 2/400 |
| D510,791 | S * | 10/2005 | Nathan-Kohan | | D2/712 |
| 7,000,261 | B1 * | 2/2006 | Loffredo | | 2/400 |
| D540,009 | S | 4/2007 | Ceffalio | | |
| D553,826 | S * | 10/2007 | Austin | | D2/716 |
| 7,559,216 | B2 | 7/2009 | Imboden et al. | | |
| D603,582 | S | 11/2009 | Fennell | | |
| 7,827,623 | B2 * | 11/2010 | Kurata | | 2/400 |
| D646,047 | S * | 10/2011 | Arensdorf | | D2/712 |
| 8,083,880 | B2 * | 12/2011 | Kurata | | 156/227 |
| 2004/0128742 | A1 * | 7/2004 | Jackson | | 2/400 |
| 2009/0320184 | A1 * | 12/2009 | Schaefer | | 2/405 |

* cited by examiner

Primary Examiner — Karen E Eldridge Powers

(74) *Attorney, Agent, or Firm* — Hoxie & Associates LLC

(57) **CLAIM**

The ornamental design for men's boxer briefs, as shown and described.

DESCRIPTION

FIG. 1 is a front elevation view of the men's boxer briefs of the present design, shown in a state whereby the fastener strips are engaged;

FIG. 2 is an interior plan view of the men's boxer briefs of FIG. 1 laid flat.

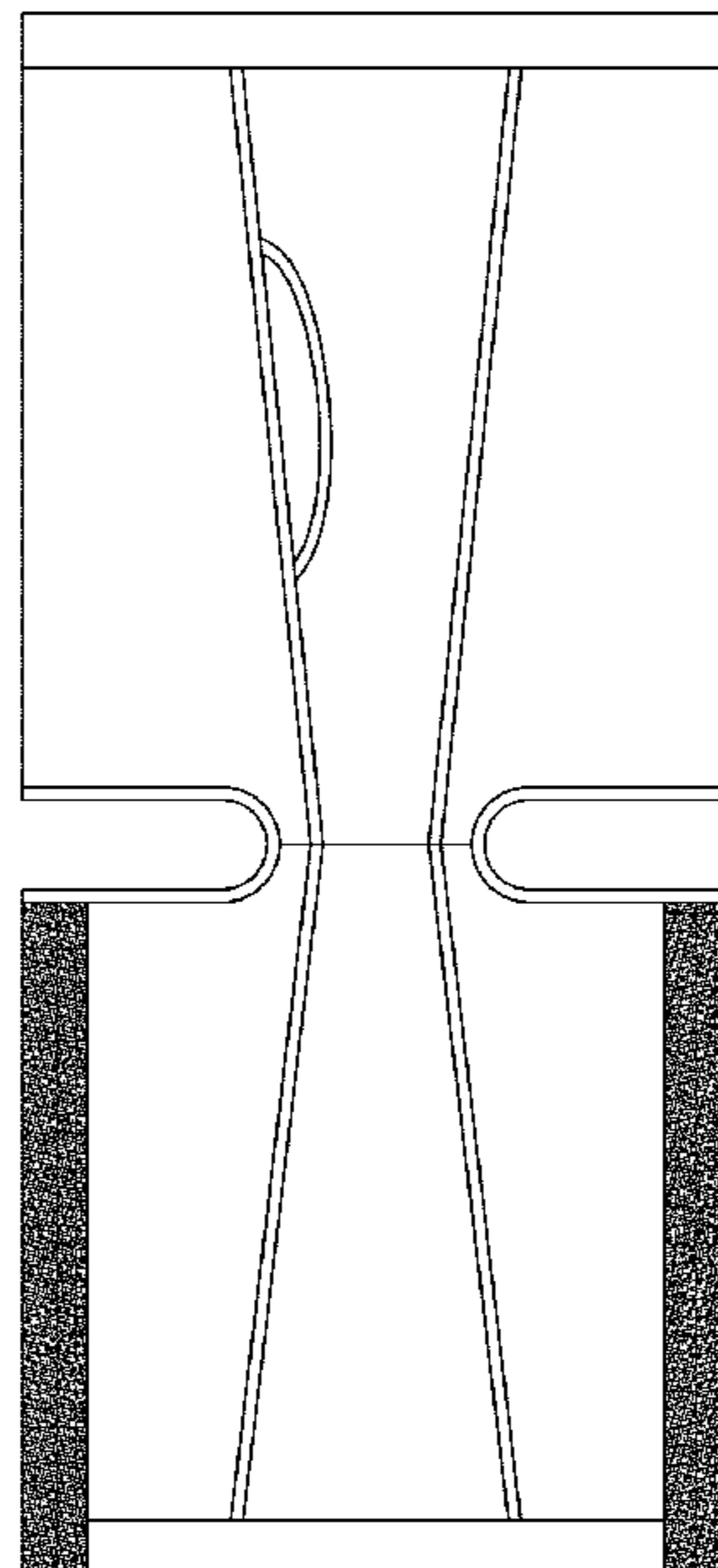
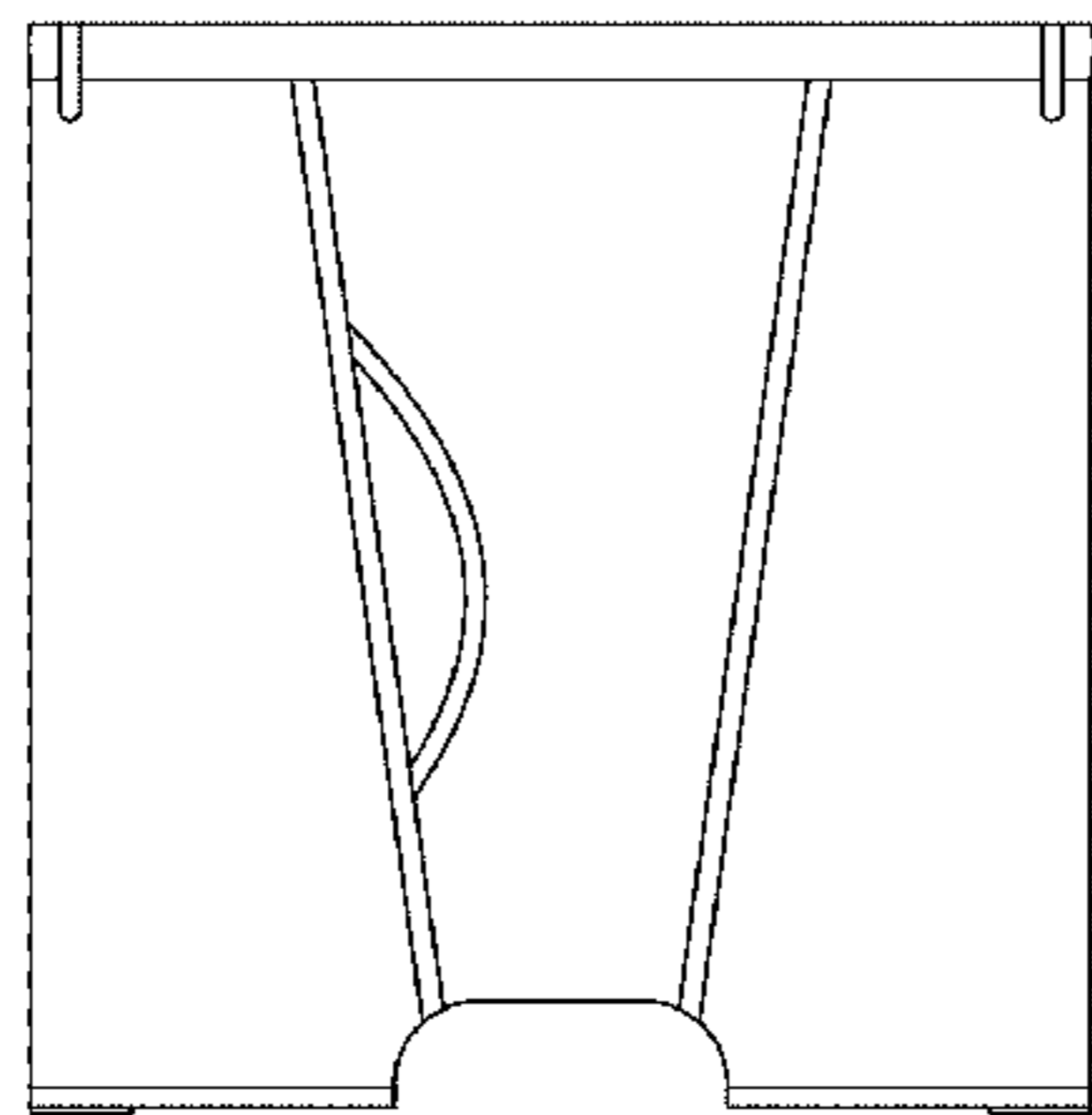
FIG. 3 is an exterior plan view of the men's boxer briefs of FIG. 1 laid flat;

FIG. 4 is a side elevation view of the men's boxer briefs of FIG. 1;

FIG. 5 is a side elevation view of the hook and loops fasteners of the men's boxer briefs of FIGS. 1-4; and,

FIG. 6 is an enlarged detail view of the tab section located on the men's boxer briefs of FIGS. 1-5. The broken lines are boundaries of the detail and form no part of the claimed design.

1 Claim, 5 Drawing Sheets



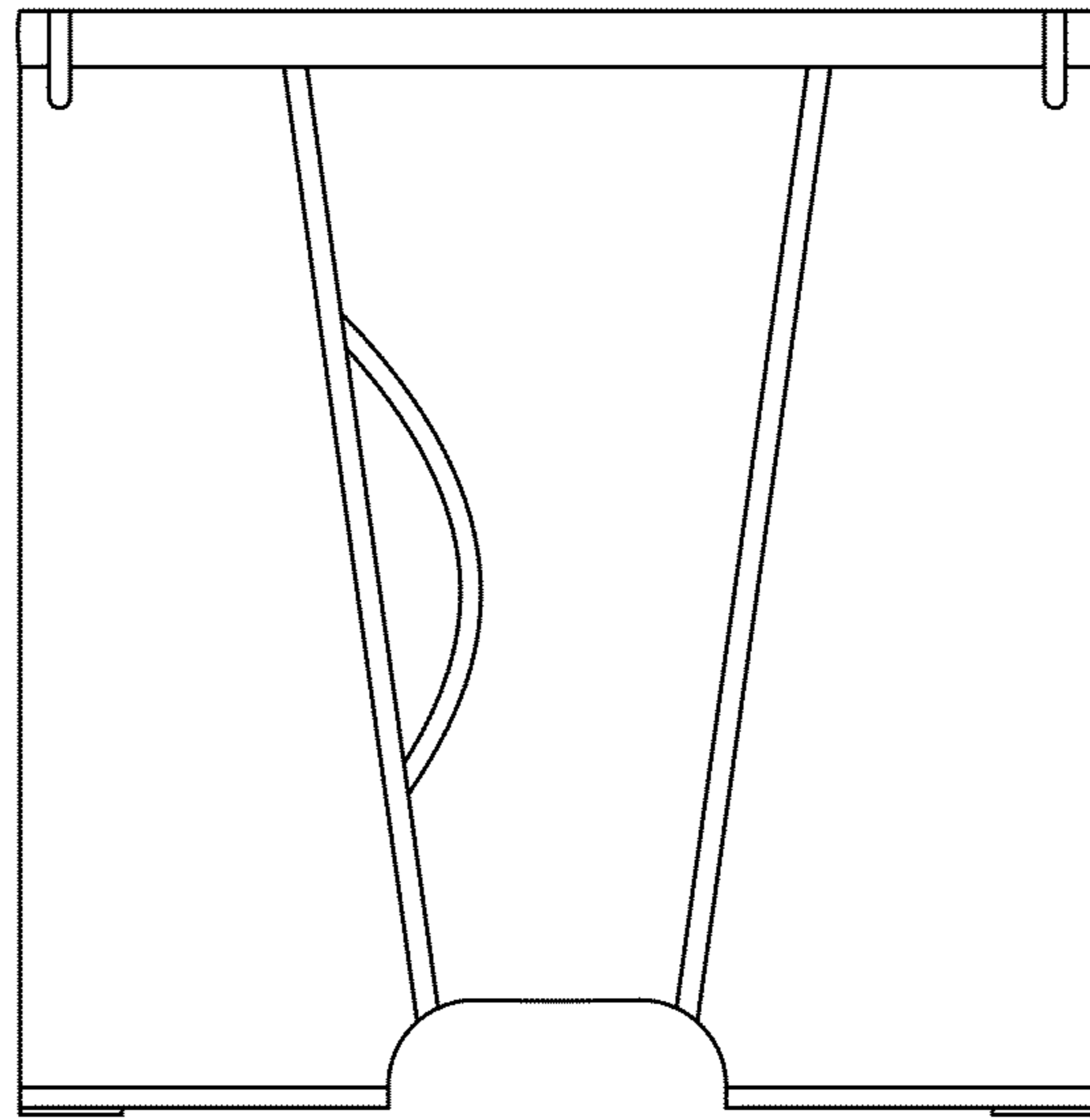


FIG. 1

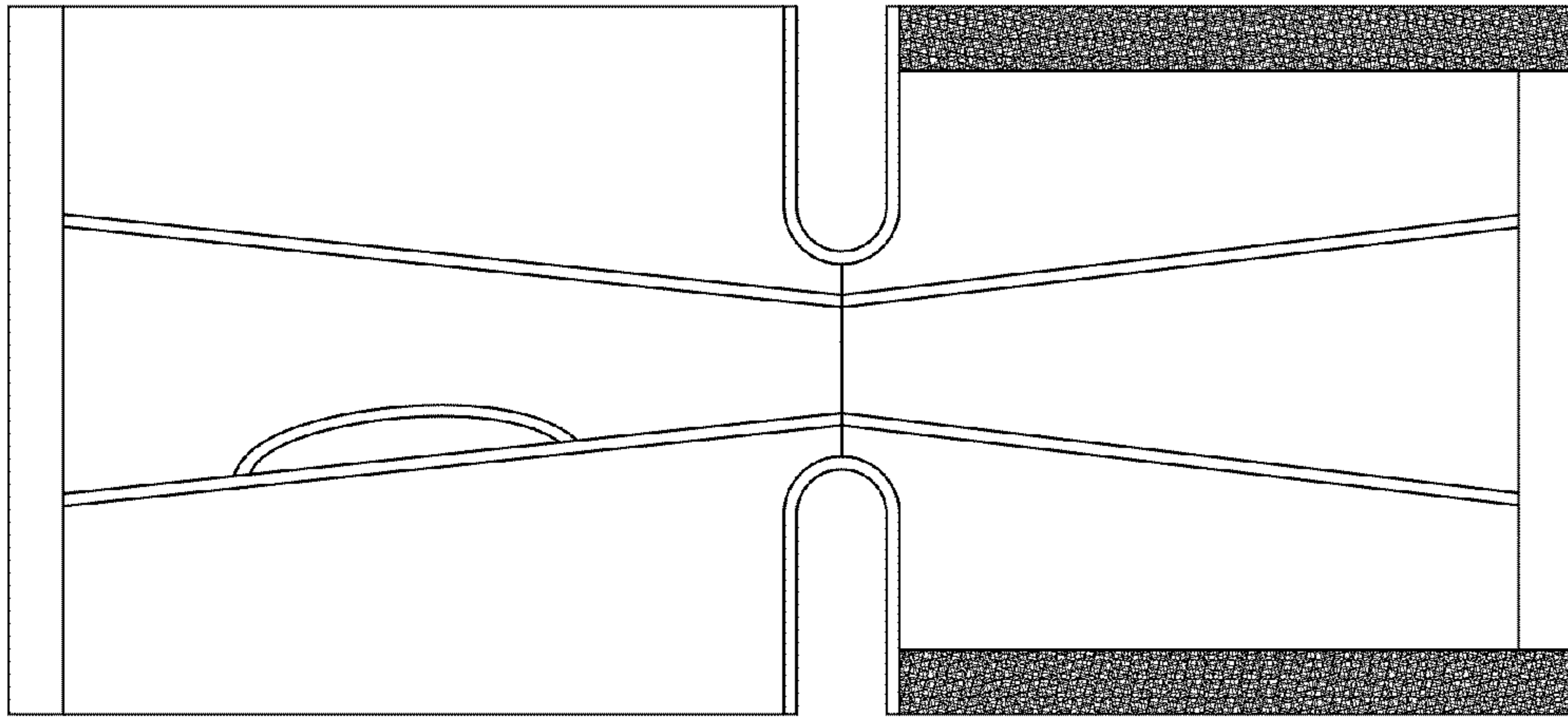


FIG. 2

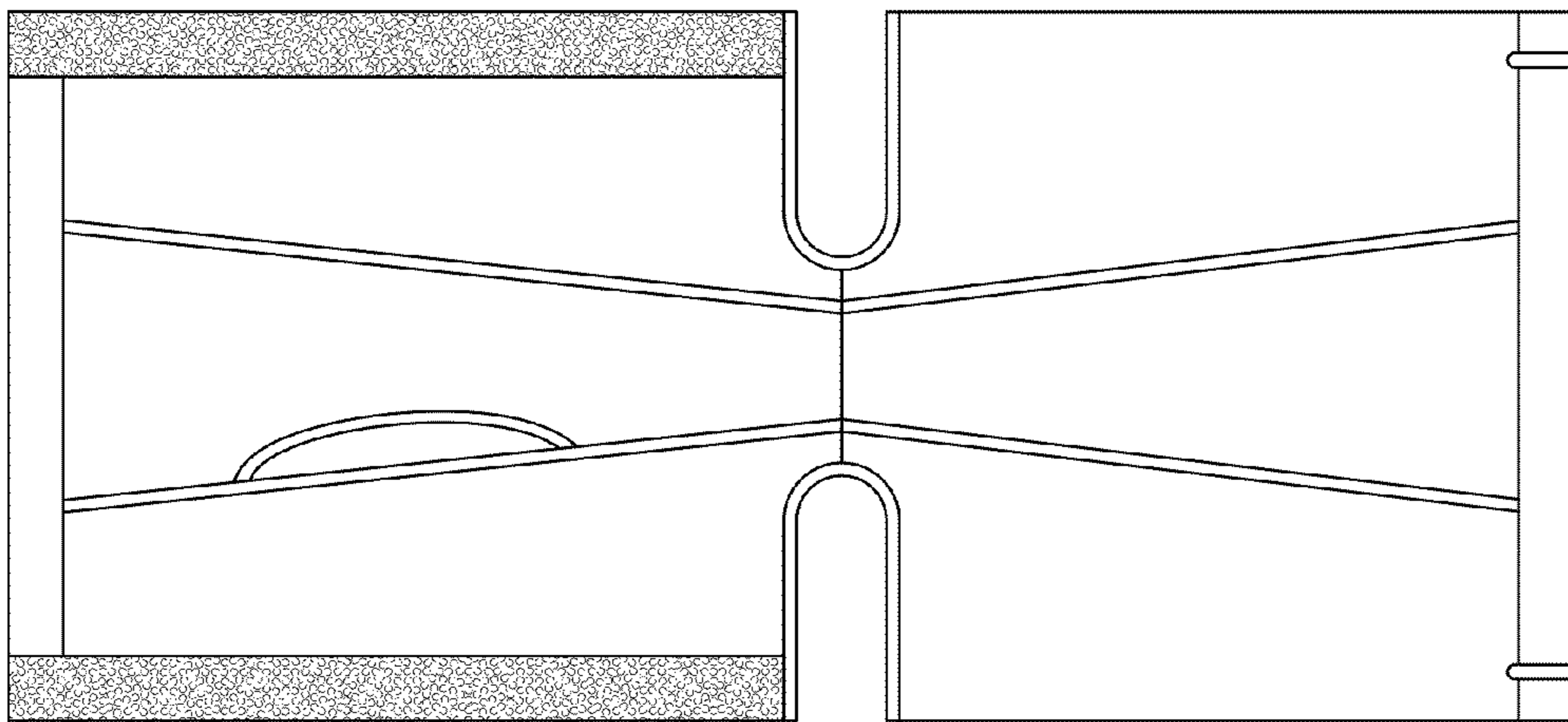


FIG. 3

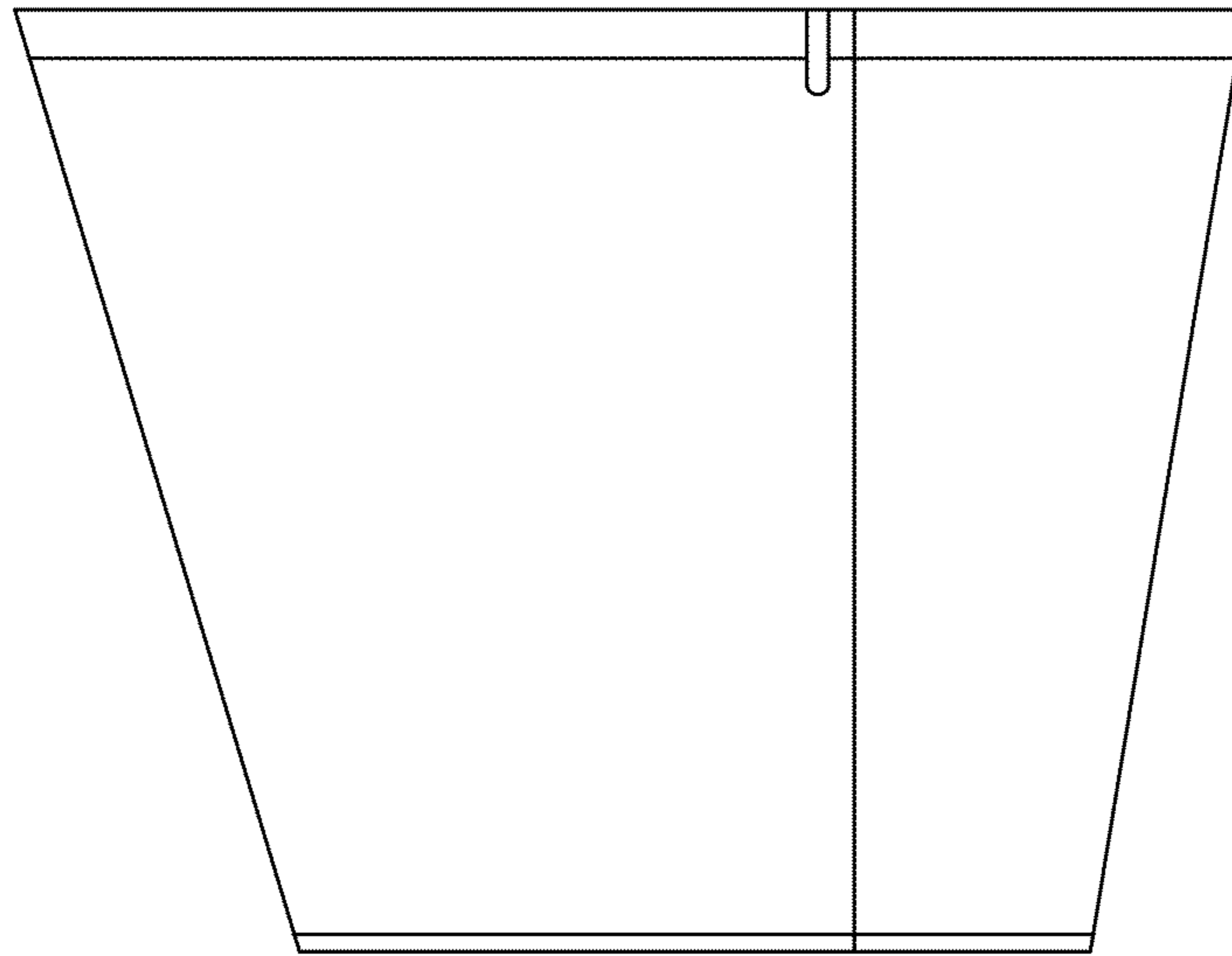


FIG. 4

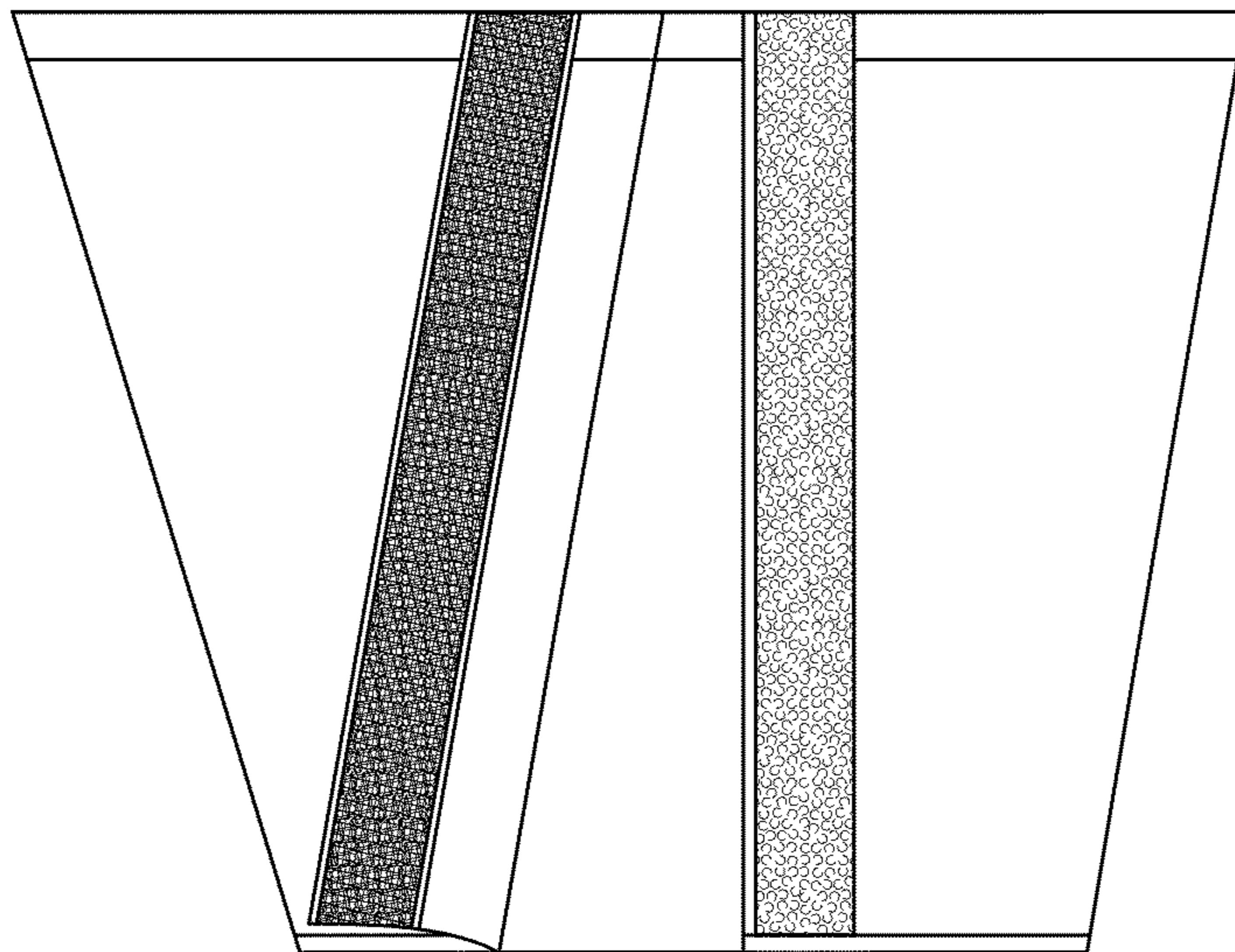


FIG. 5

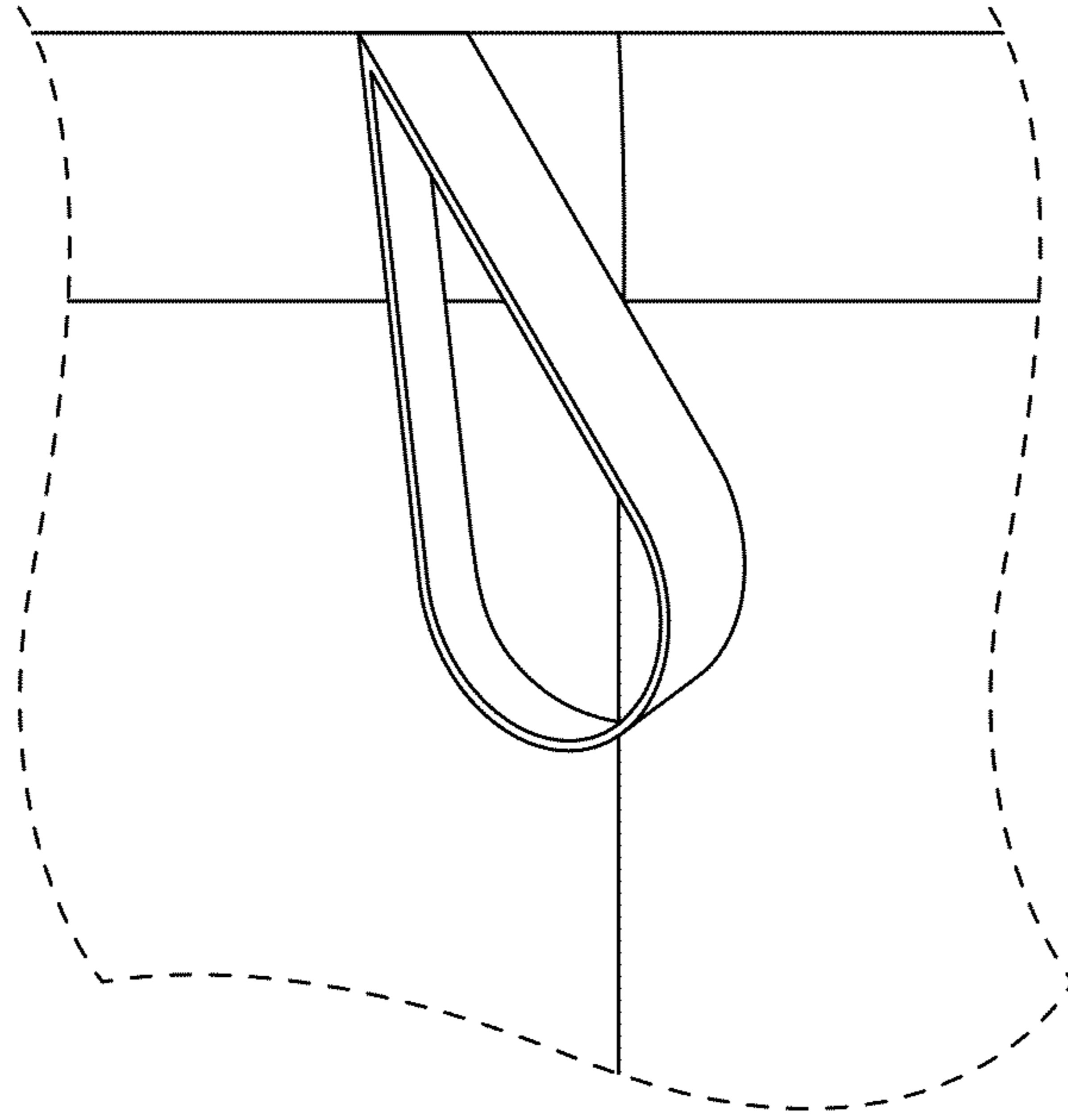


FIG. 6