



US00D698115S

(12) **United States Design Patent**
Plesh et al.

(10) **Patent No.:** **US D698,115 S**
(45) **Date of Patent:** **** Jan. 21, 2014**

(54) **MOBILE DOLLY**

(75) Inventors: **Michael Oleg Plesh**, Sun Valley, CA (US); **Jeffrey D. Atherton**, Alhambra, CA (US); **Brian Babson**, Long Beach, CA (US); **Joseph Sampietro**, Los Angeles, CA (US)

(73) Assignee: **Bucket All, LLC**, Los Angeles, CA (US)

(**) Term: **14 Years**

(21) Appl. No.: **29/415,598**

(22) Filed: **Mar. 12, 2012**

Related U.S. Application Data

(63) Continuation-in-part of application No. 29/391,425, filed on May 9, 2011, now Pat. No. Des. 655,881, and a continuation-in-part of application No. 12/475,555, filed on May 31, 2009, now Pat. No. 8,276,923, said application No. 29/391,425 is a continuation of application No. 29/360,647, filed on Apr. 29, 2010, now Pat. No. Des. 637,784.

(51) **LOC (10) Cl.** **12-02**

(52) **U.S. Cl.**
USPC **D34/24**

(58) **Field of Classification Search**
USPC D34/11-27; 280/79.2, 79.11, 47.34, 280/47.23, 79.3, 47.26, 62, 47.37; 248/129, 248/127

See application file for complete search history.

(56) **References Cited**

U.S. PATENT DOCUMENTS

D637,784 S 5/2011 Plesh
D655,881 S 3/2012 Plesh

OTHER PUBLICATIONS

U.S. Appl. No. 61/057,847, filed May 31, 2008; first named inventor: Plesh; Title: mobile gimbaled 5-gallon bucket dolly.

U.S. Appl. No. 12/475,555, filed May 31, 2009; first named inventor: Plesh; Title: mobile gimbaled 5-gallon bucket dolly.
Design U.S. Appl. No. 29/360,647, filed Apr. 29, 2010, which issued as United States Design Patent No. D637784 May 10, 2011; first named inventor: Plesh; Title: mobile dolly.
U.S. Appl. No. 61/343,588, filed May 1, 2010; first named inventor: Plesh; Title: mobile gimbaled 5-gallon bucket dolly ver. 2.
PCT Patent Appl. No. PCT/US2010/036790, filed May 31, 2010; first named inventor: Plesh; Title: mobile gimbaled 5-gallon bucket dolly.

(Continued)

Primary Examiner — Cynthia Ramirez

(74) *Attorney, Agent, or Firm* — Law Office of David Hong

(57) **CLAIM**

The ornamental design for a mobile dolly, as shown and described.

DESCRIPTION

This application is also related to U.S. patent application Ser. No. 13/375,483, filed Nov. 30, 2011.

FIG. 1 is a perspective view of our new design for our mobile dolly invention.

FIG. 2 is a first side elevation view of the mobile dolly invention of FIG. 1; the second side or opposite side elevation view is not shown but is the mirror image of the first side elevation view shown.

FIG. 3 is a front elevation view of the mobile dolly invention of FIG. 1.

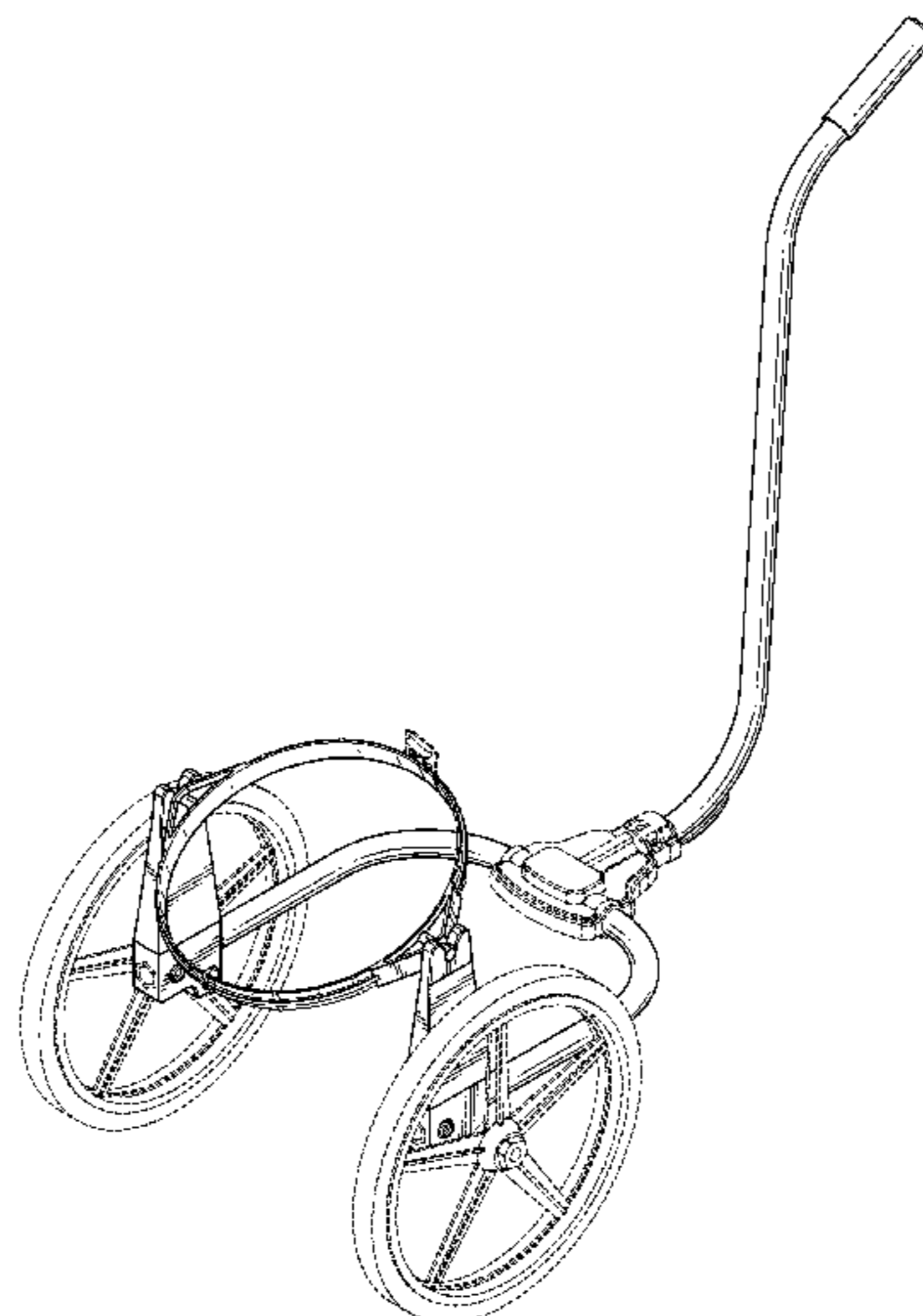
FIG. 4 is a rear elevation view of the mobile dolly invention of FIG. 1.

FIG. 5 is a top view of the mobile dolly invention of FIG. 1; and,

FIG. 6 is a bottom view of the mobile dolly invention of FIG. 1.

In FIG. 1-6, there are broken lines shown for the wheels and connector structures for the purpose of illustrating environment and form no part of the claimed design.

1 Claim, 4 Drawing Sheets



(56)

References Cited

OTHER PUBLICATIONS

Design U.S. Appl. No. 29/391,425, filed May 9, 2011 and issues as U.S. Design Patent No. D655881 on Mar. 13, 2012; first named inventor: Plesh; Title: mobile dolly.

U.S. Appl. No. 61/484,218, filed May 9, 2011; first named inventor:

Plesh; Title: snap ring attachment for mobile dolly.

U.S. Appl. No. 13/375,483, filed Nov. 30, 2011; first named inventor:

Plesh; Title: mobile gimbaled 5-gallon bucket dolly.

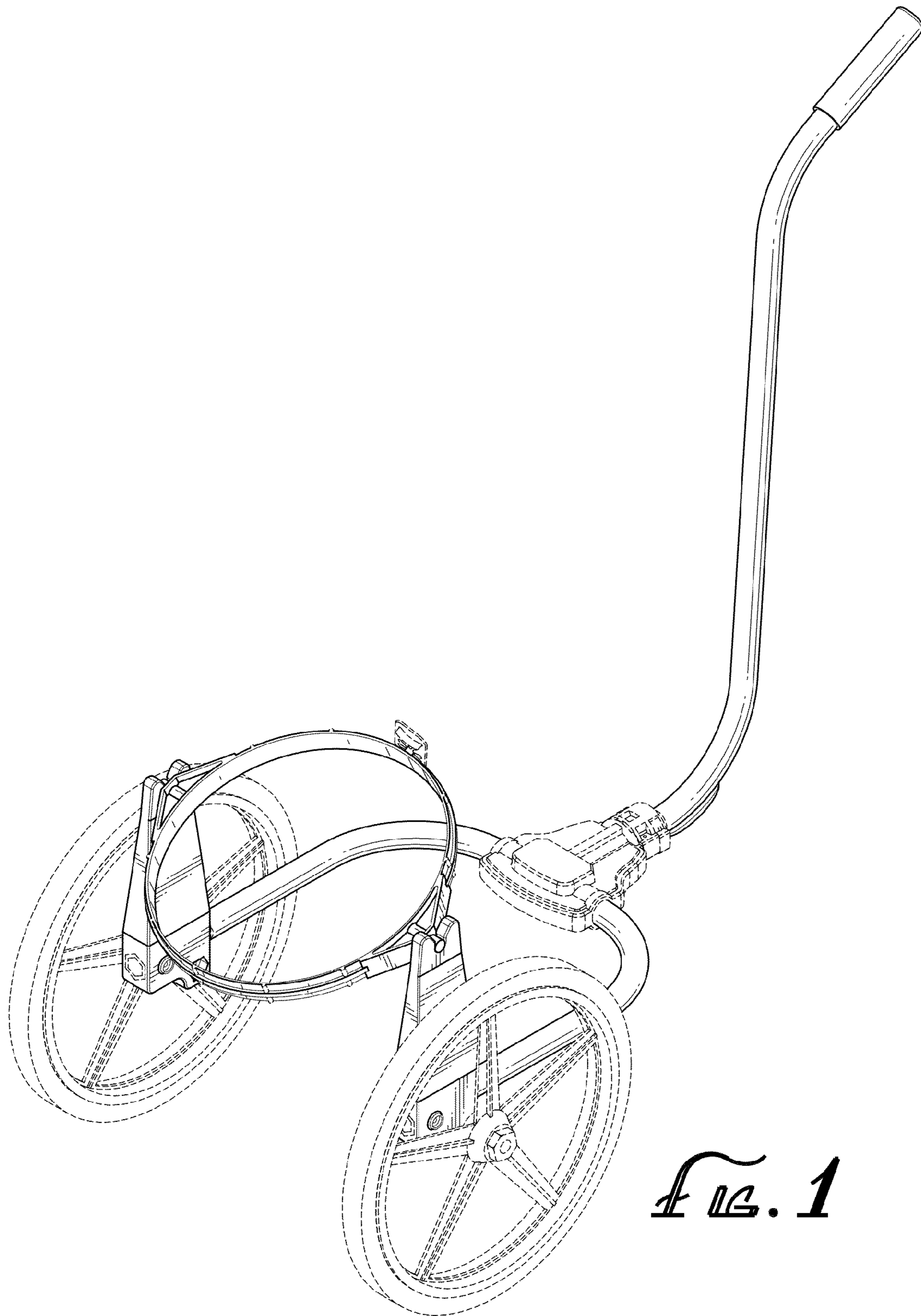


FIG. 1

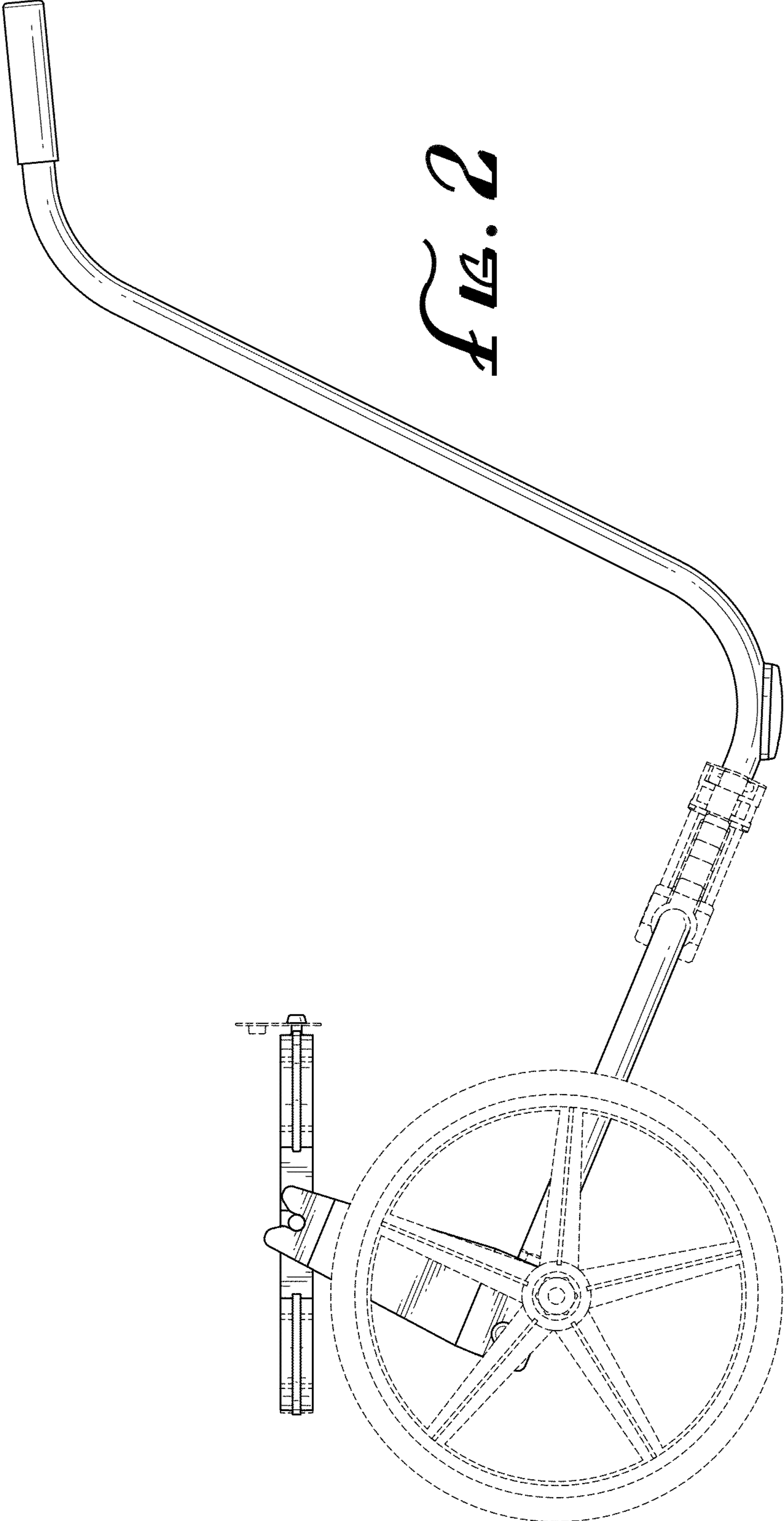


Fig. 2

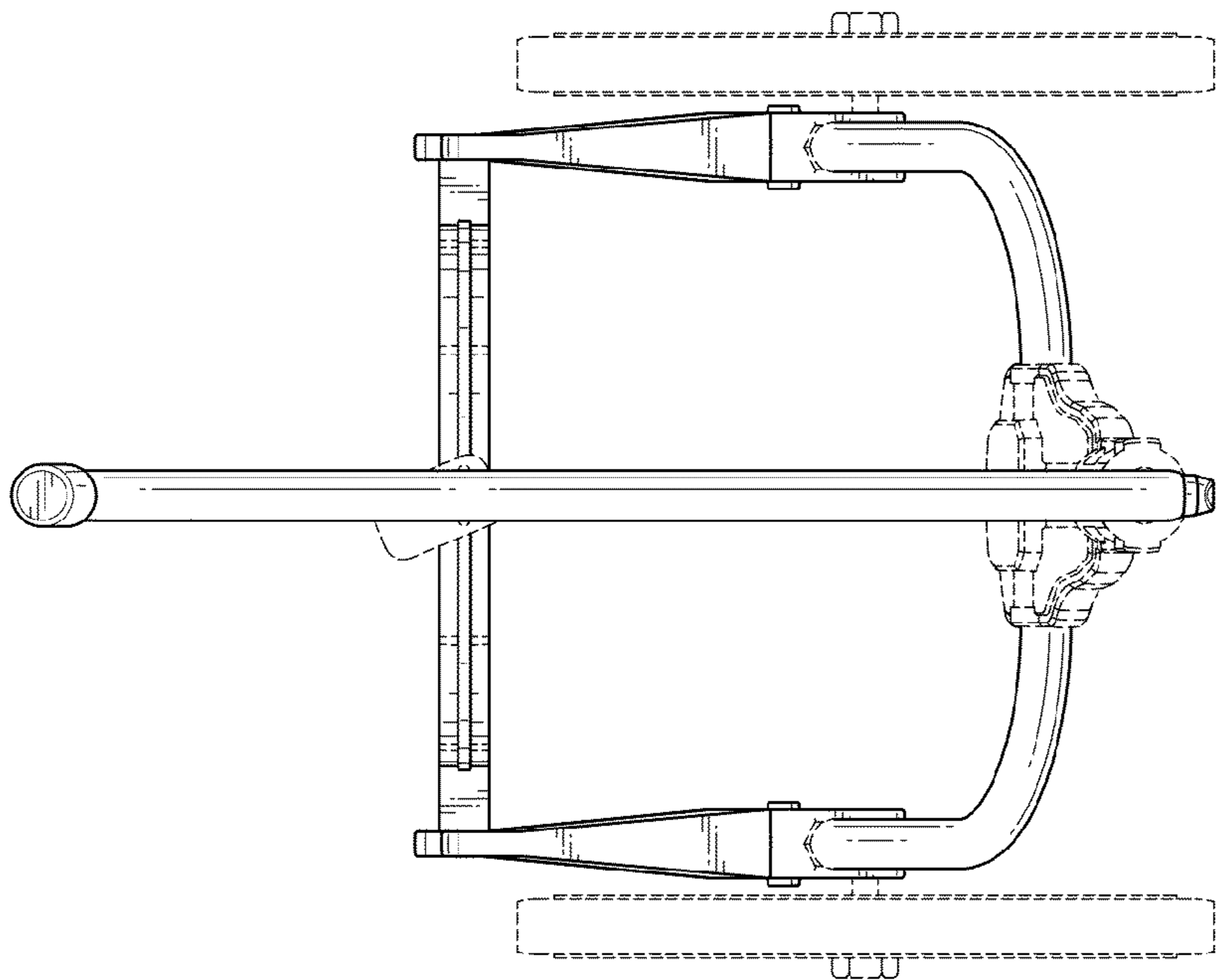


FIG. 4

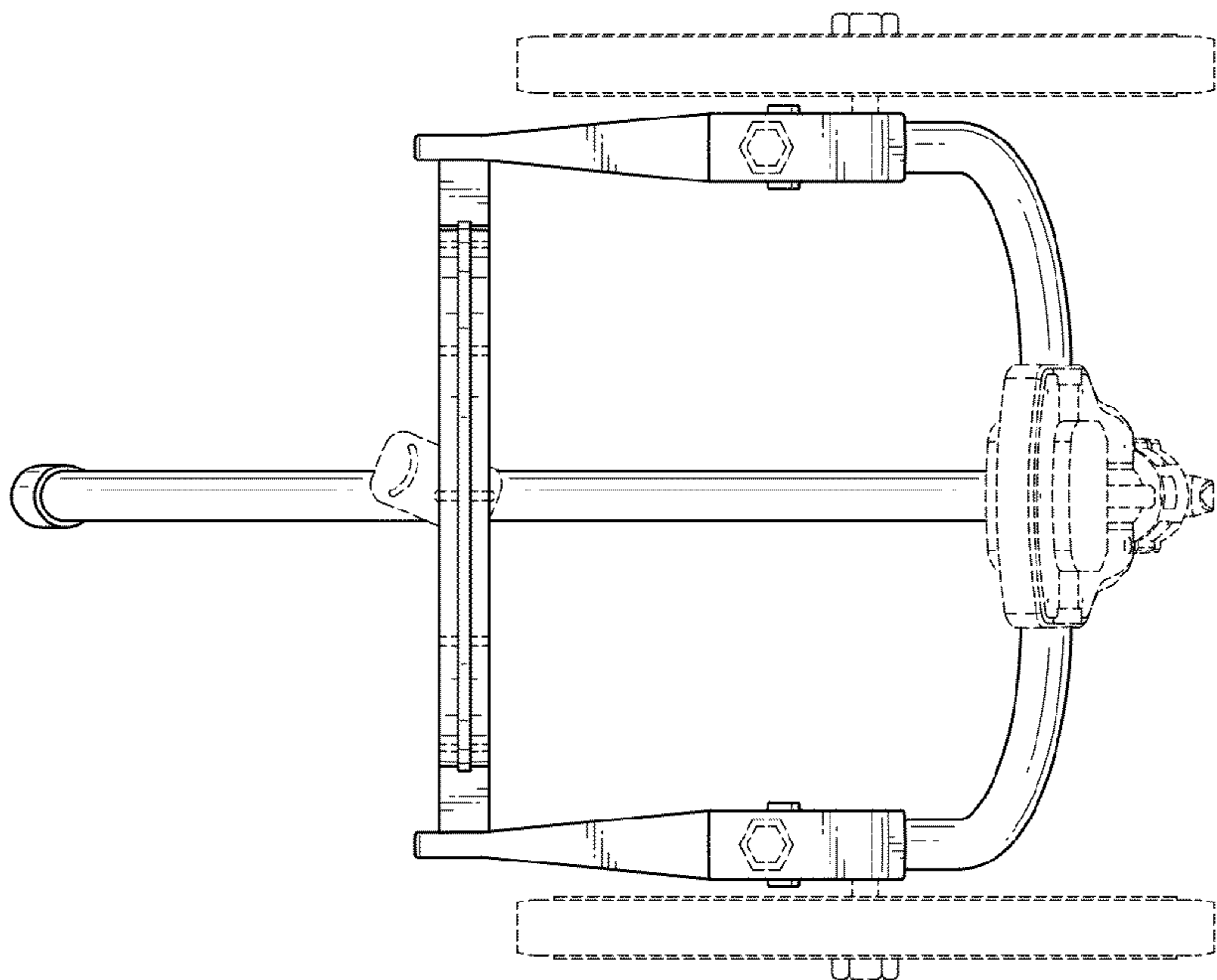


FIG. 3

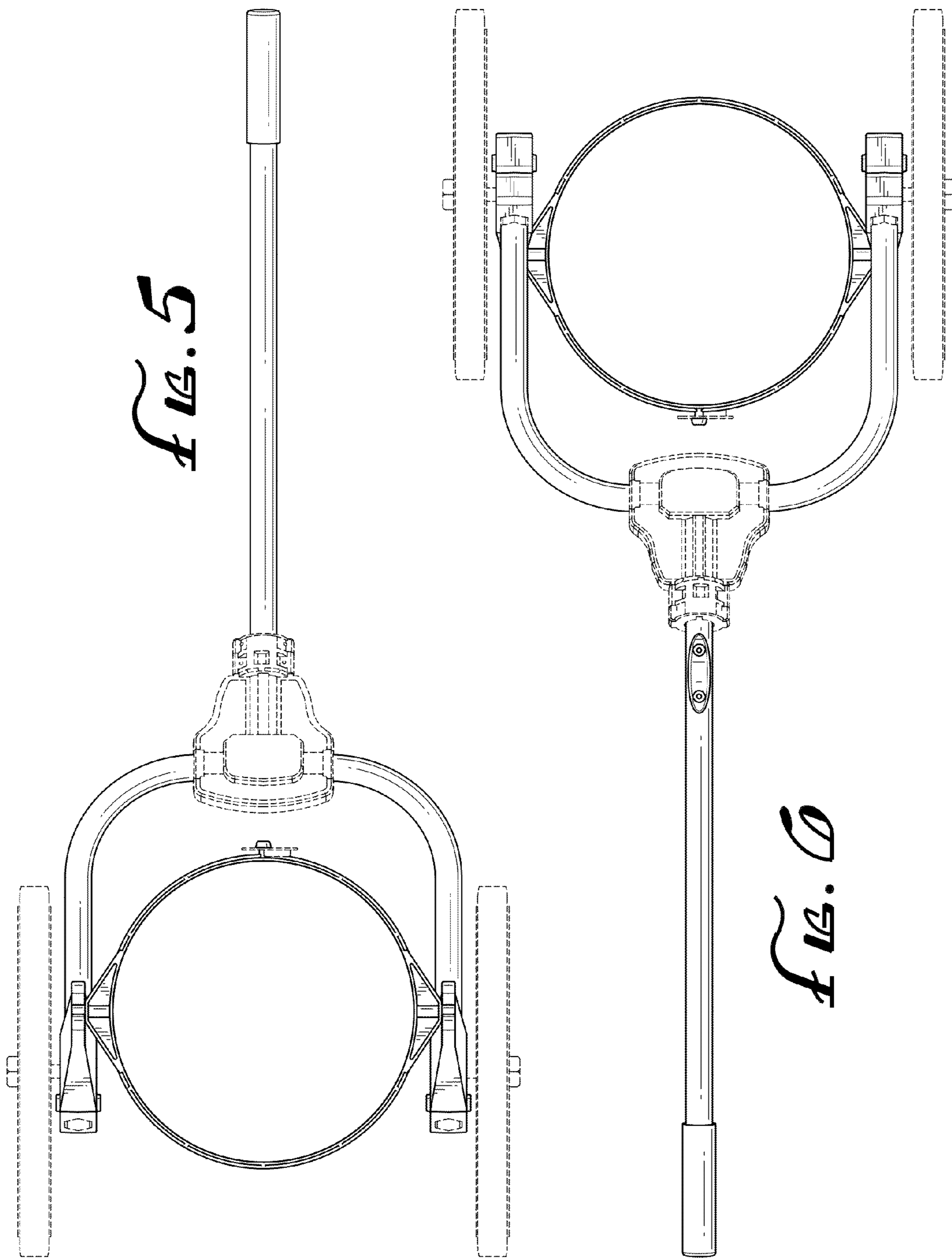


FIG. 5

FIG. 6