



US00D698113S

(12) **United States Design Patent**
Grönholm et al.

(10) **Patent No.:** **US D698,113 S**
(45) **Date of Patent:** **** Jan. 21, 2014**

(54) **BASE FOR ROLL CONTAINERS**
(75) Inventors: **Jack Grönholm**, Söderkulla (FI);
Markku Tiilikainen, Söderkulla (FI)
(73) Assignee: **K. Hartwall Oy AB**, Soderkulla (FI)
(**) Term: **14 Years**

(21) Appl. No.: **29/425,951**
(22) Filed: **Jun. 28, 2012**

(30) **Foreign Application Priority Data**
Jan. 3, 2012 (EM) 001970799-0002
(51) **LOC (10) Cl.** **12-02**
(52) **U.S. Cl.**
USPC **D34/17**
(58) **Field of Classification Search**
USPC D34/12-27, 38; 108/53.1, 51.1, 52.1,
108/53.3, 55.3; 280/47.34, 79.11, 47.35,
280/47.371, 651, 655.1, 79.2, 79.3
See application file for complete search history.

(56) **References Cited**
U.S. PATENT DOCUMENTS
D300,075 S * 2/1989 Sahm, Jr. D34/38
D396,922 S * 8/1998 Agtuca D34/23

6,474,665 B1 * 11/2002 Fink et al. 280/79.2
6,478,169 B2 * 11/2002 Krusell 211/85.7
6,857,642 B2 * 2/2005 Gruber 280/33.991
7,201,385 B2 * 4/2007 Renz et al. 280/79.11
7,219,904 B1 * 5/2007 Boom et al. 280/79.3
7,249,738 B2 * 7/2007 Kaczorowski 248/129
7,293,785 B2 * 11/2007 Bush et al. 280/47.34
D650,546 S * 12/2011 MacDonald et al. D34/38

* cited by examiner

Primary Examiner — Cynthia Ramirez

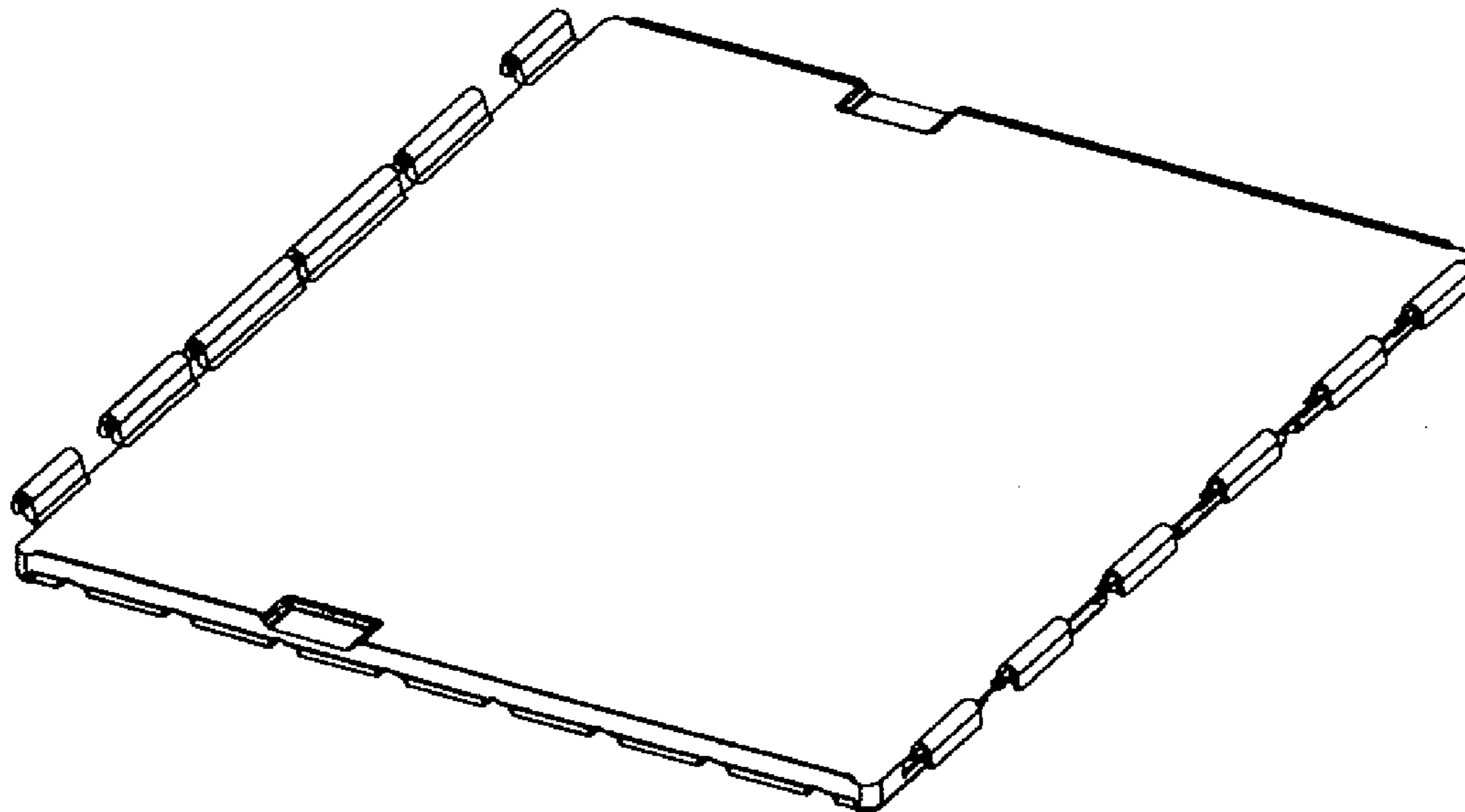
(74) *Attorney, Agent, or Firm* — Birch, Stewart, Kolasch & Birch, LLP

(57) **CLAIM**
The ornamental design for a base for roll containers, as shown and described.

DESCRIPTION

FIG. 1 is a top perspective view of a base for roll containers showing our new design;
FIG. 2 is a bottom perspective view thereof;
FIG. 3 is a left side elevational view thereof;
FIG. 4 is a right side elevational view thereof;
FIG. 5 is a rear elevational view thereof;
FIG. 6 is a front elevational view thereof;
FIG. 7 is a top plan view thereof; and,
FIG. 8 is a bottom view thereof.

1 Claim, 2 Drawing Sheets



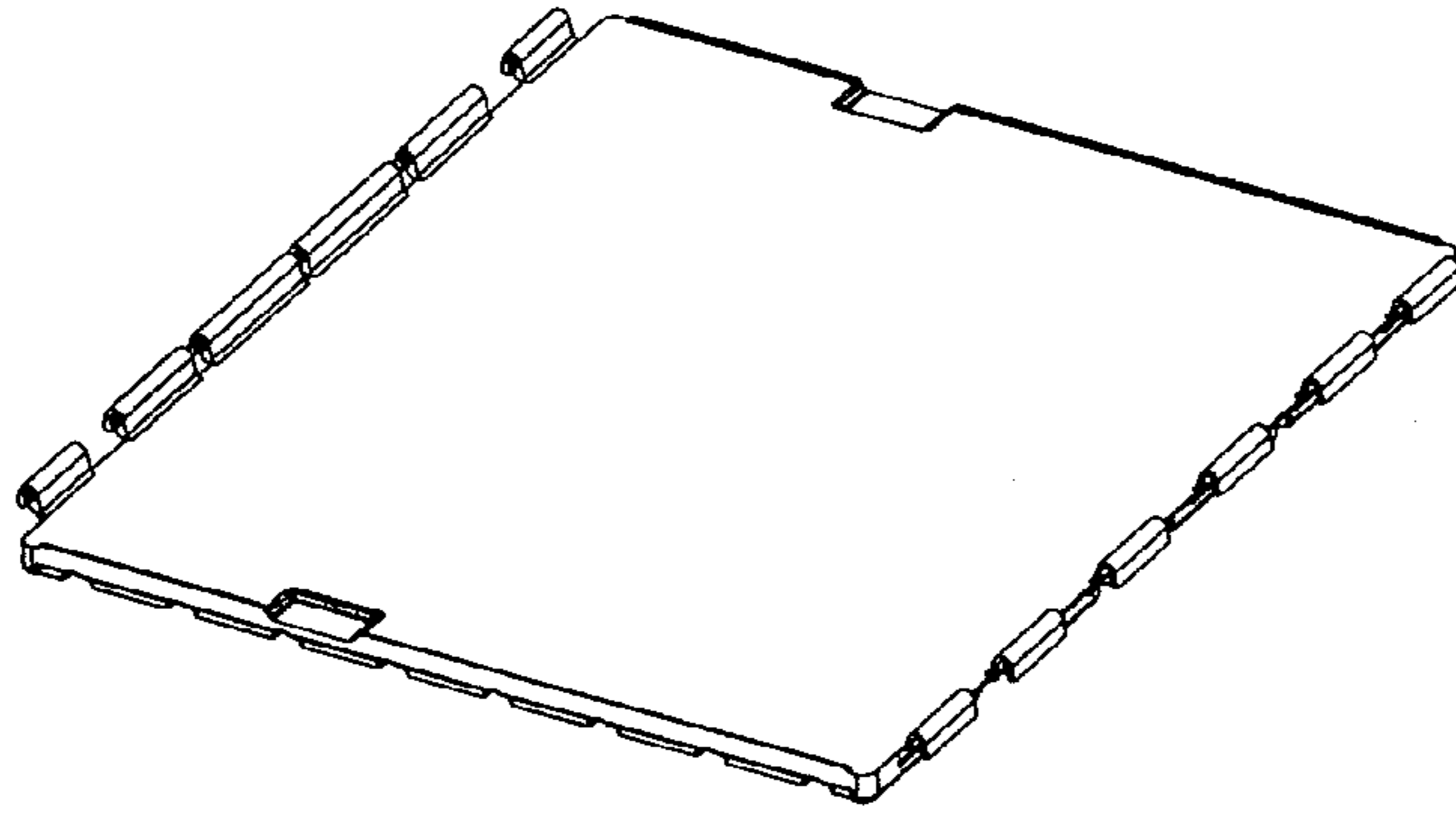


FIG. 1

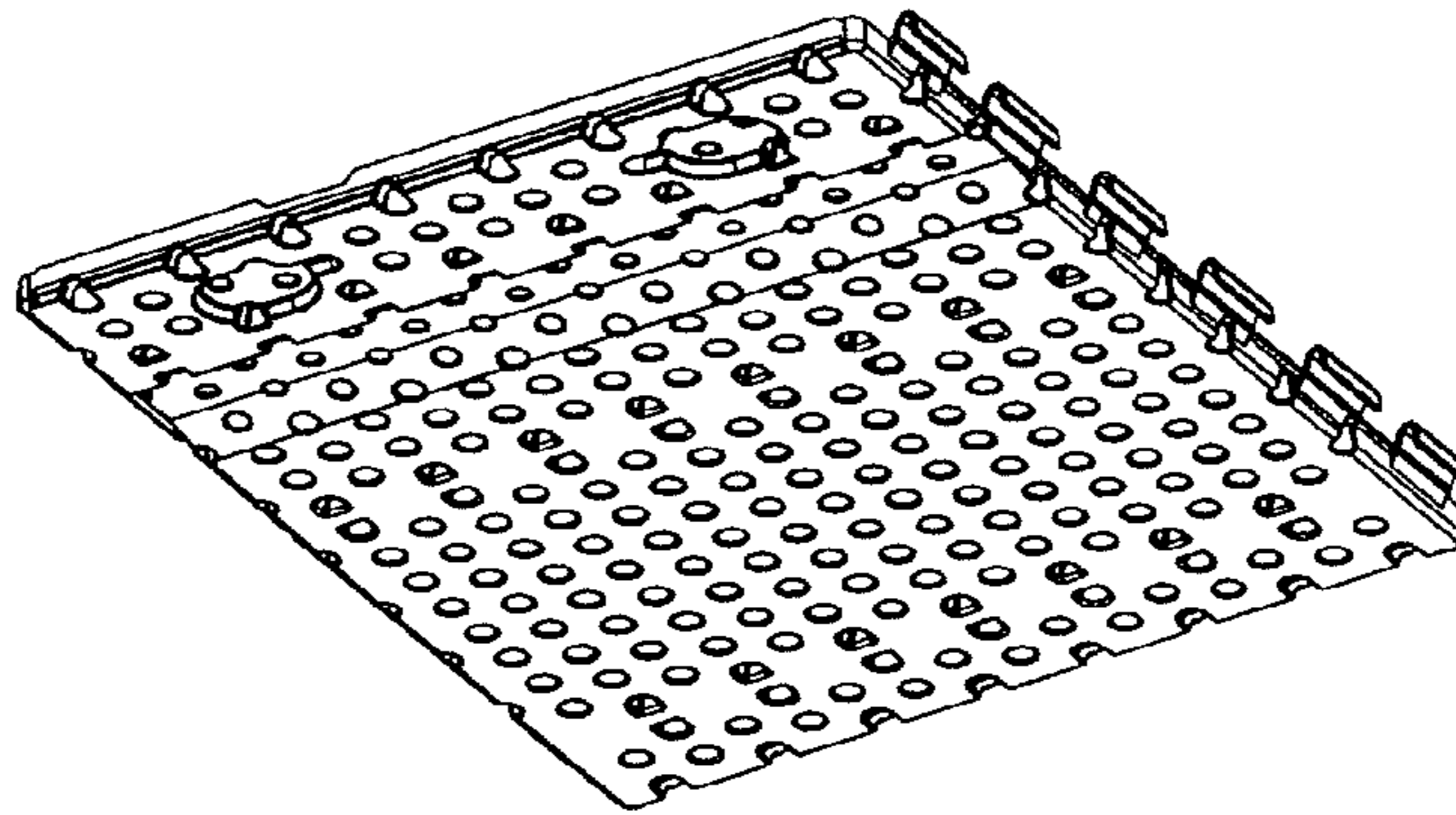


FIG. 2



FIG. 3



FIG. 4

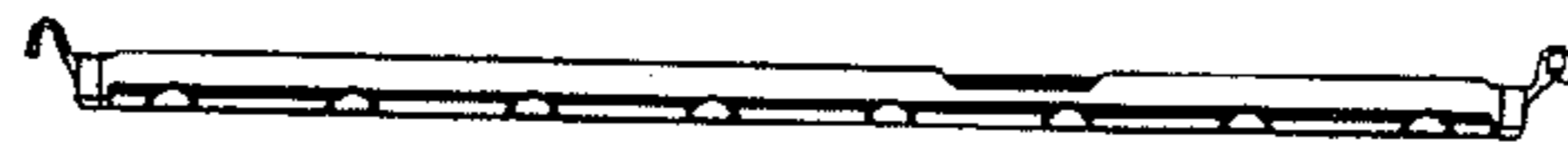


FIG. 5

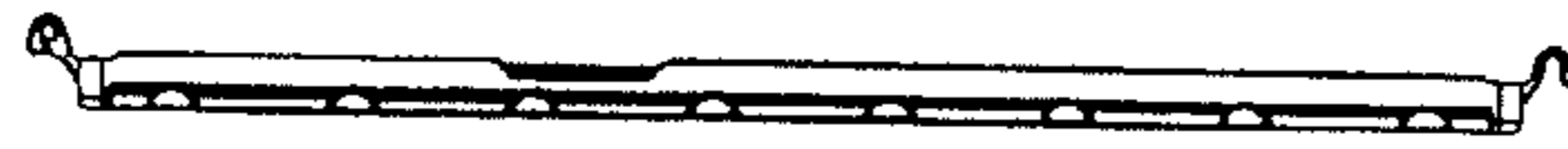


FIG. 6

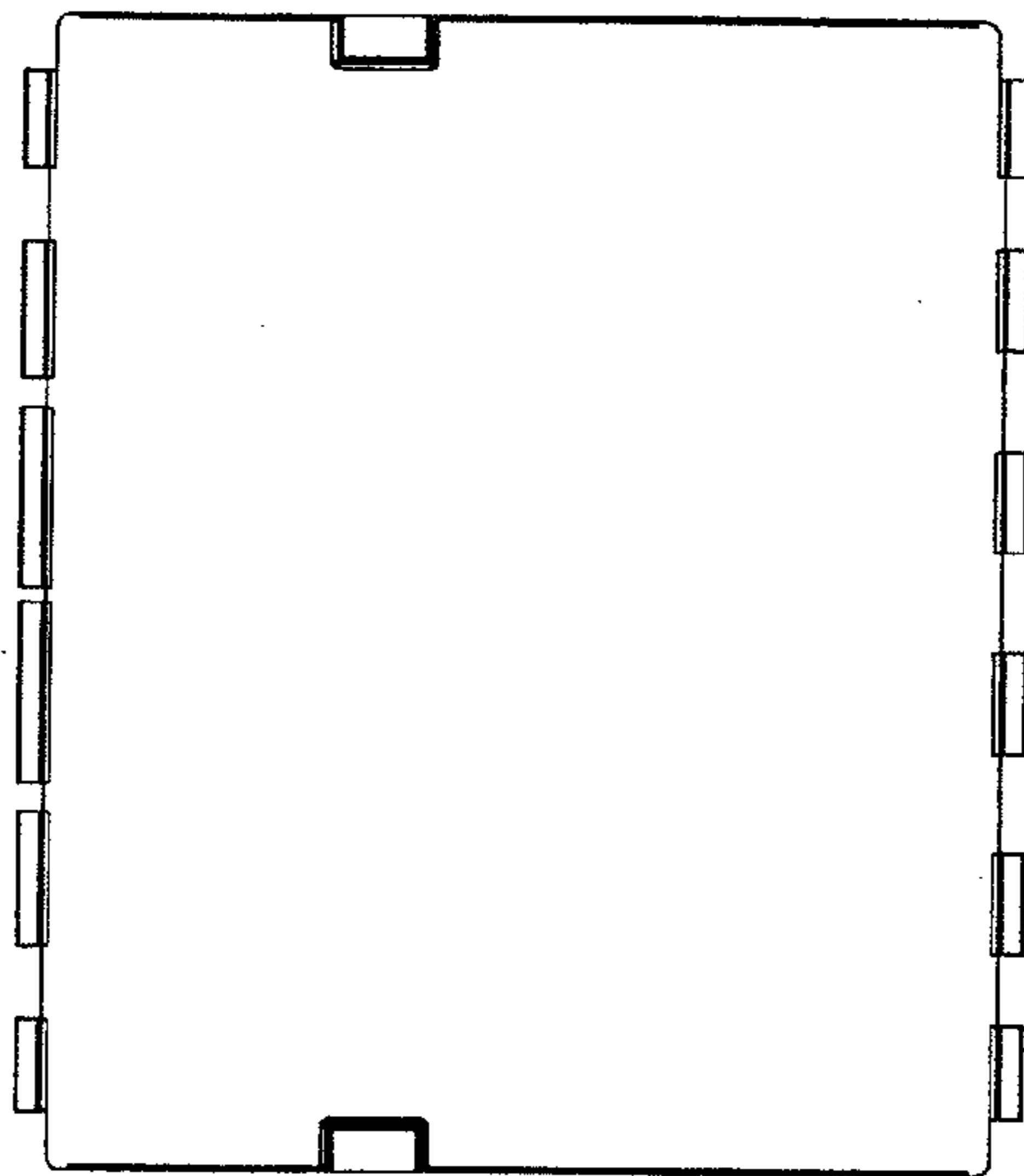


FIG. 7

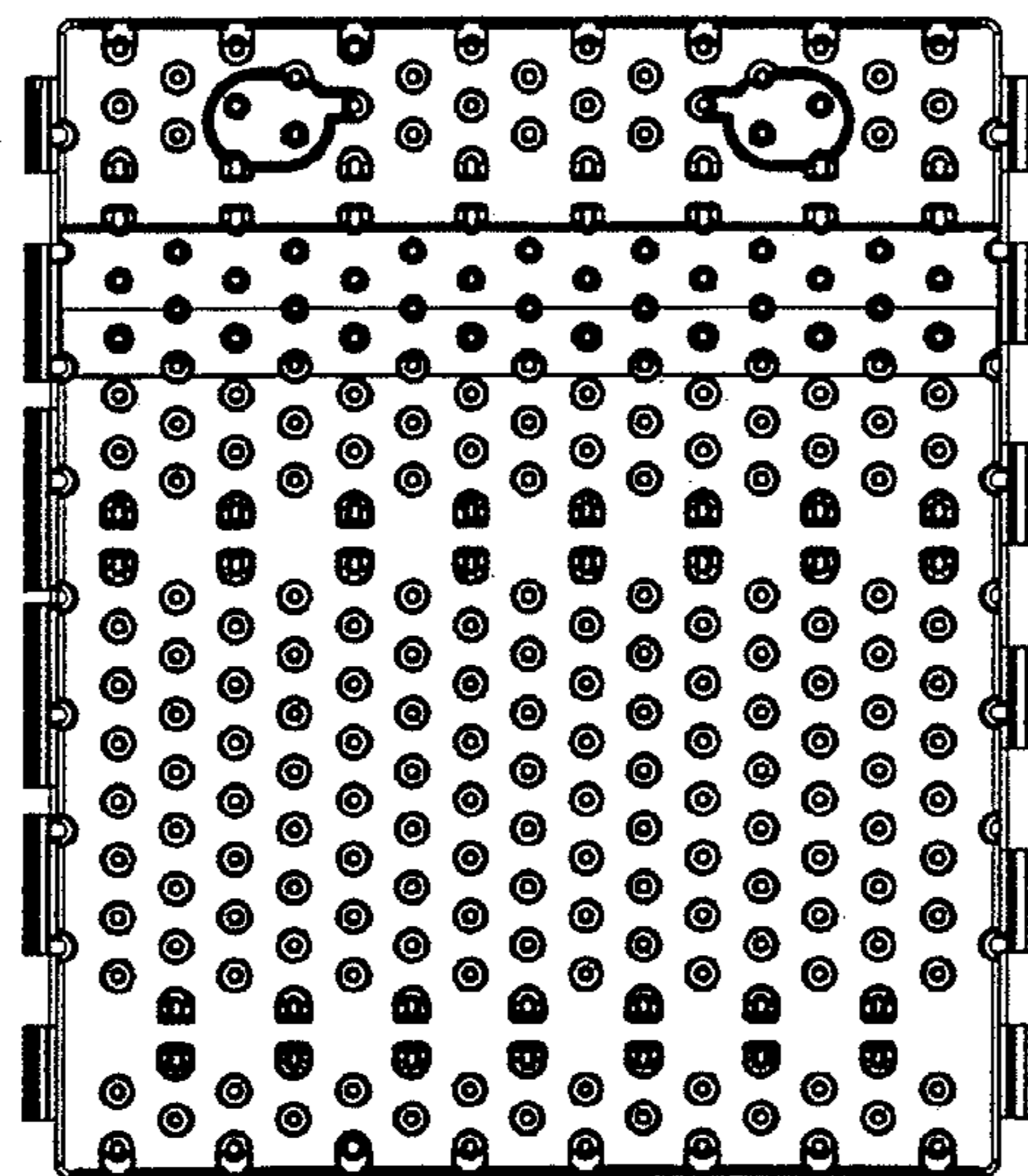


FIG. 8