



US00D698111S

(12) **United States Design Patent**
Casini et al.

(10) **Patent No.:** **US D698,111 S**
(45) **Date of Patent:** **** Jan. 21, 2014**

(54) **BROOM HEAD**

(71) Applicant: **Carl Freudenberg KG**, Weinheim (DE)

(72) Inventors: **Luca Casini**, Milan (IT); **Hans-Jörg Clemen**, Heidelberg (DE)

(73) Assignee: **Carl Freudenberg KG**, Weinheim (DE)

(**) Term: **14 Years**

(21) Appl. No.: **29/460,527**

(22) Filed: **Jul. 11, 2013**

(30) **Foreign Application Priority Data**

Jan. 11, 2013 (EM) 002165019-0003

(51) **LOC (10) Cl.** **04-01**

(52) **U.S. Cl.**
USPC **D32/50**

(58) **Field of Classification Search**
USPC D32/40-45, 50-52; 15/118, 244.1,
15/244.2, 244.3, 244.4, 116.1, 116.2,
15/119.1, 119.2, 104.9, 228, 229.2, 229.4;
401/135-140; D4/199
See application file for complete search history.

(56) **References Cited**

U.S. PATENT DOCUMENTS

3,076,217 A * 2/1963 Scholl 15/145
D195,818 S * 8/1963 Herman et al. D32/50
D249,821 S * 10/1978 Cooke et al. D4/199
D250,245 S * 11/1978 Bebb D32/50
4,823,427 A * 4/1989 Gibbs et al. 15/247
D384,818 S * 10/1997 Wolfenden D4/199
D547,017 S * 7/2007 Van Lanningham, Jr. D32/51

D549,414 S * 8/2007 Van Lanningham, Jr. D32/50
D549,912 S * 8/2007 Van Lanningham D32/40
D569,064 S * 5/2008 Hinder et al. D32/25
D582,619 S * 12/2008 Kong D32/50
D583,118 S * 12/2008 Snyder D32/51
D585,613 S * 1/2009 Senyuva D32/50
D585,614 S * 1/2009 Enyuva D32/50
D597,269 S * 7/2009 McNeil et al. D32/45
D602,660 S * 10/2009 Hinder et al. D32/25
D625,480 S * 10/2010 Raven D32/50
D655,876 S * 3/2012 Lee D32/50
D657,928 S * 4/2012 Byrne D32/50
D658,344 S * 4/2012 Babic et al. D32/50
D664,729 S * 7/2012 Robertson et al. D32/50
D668,827 S * 10/2012 Best et al. D32/50
D673,748 S * 1/2013 Snyder et al. D32/50

* cited by examiner

Primary Examiner — John Windmuller

(74) *Attorney, Agent, or Firm* — Leydig, Voit & Mayer, Ltd.

(57) **CLAIM**

The ornamental design for a broom head, as shown and described.

DESCRIPTION

FIG. 1 is a perspective view of the right side of a broom head showing our new design;

FIG. 2 is a perspective view of the left side thereof;

FIG. 3 is a top plan view thereof;

FIG. 4 is a bottom plan view thereof;

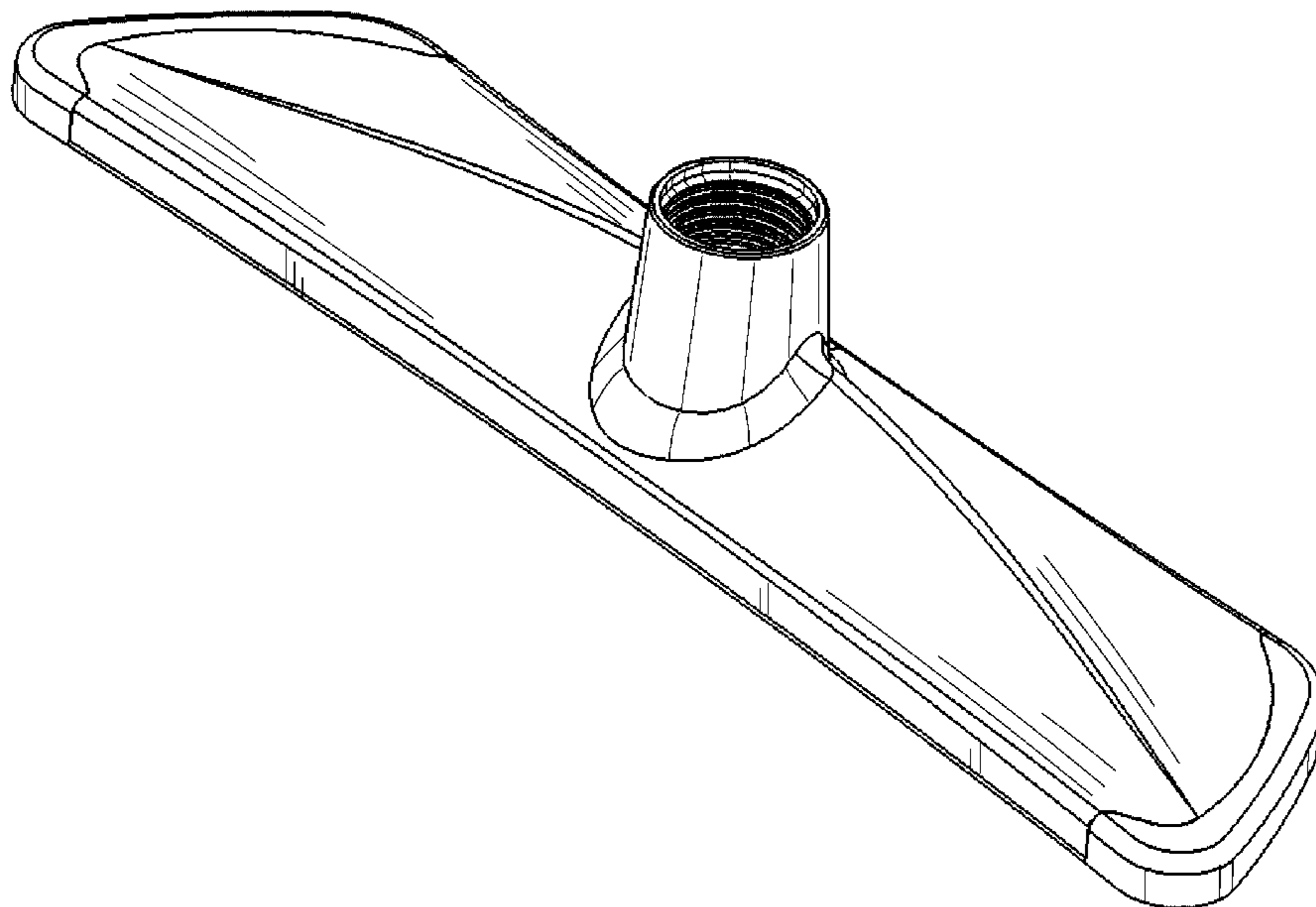
FIG. 5 is a right side elevation view thereof;

FIG. 6 is a left side elevation view thereof; and,

FIG. 7 is an end elevation view thereof, the opposite end elevation being a mirror image.

The broken lines in the figures depict portions of the broom head that form no part of the claimed design.

1 Claim, 7 Drawing Sheets



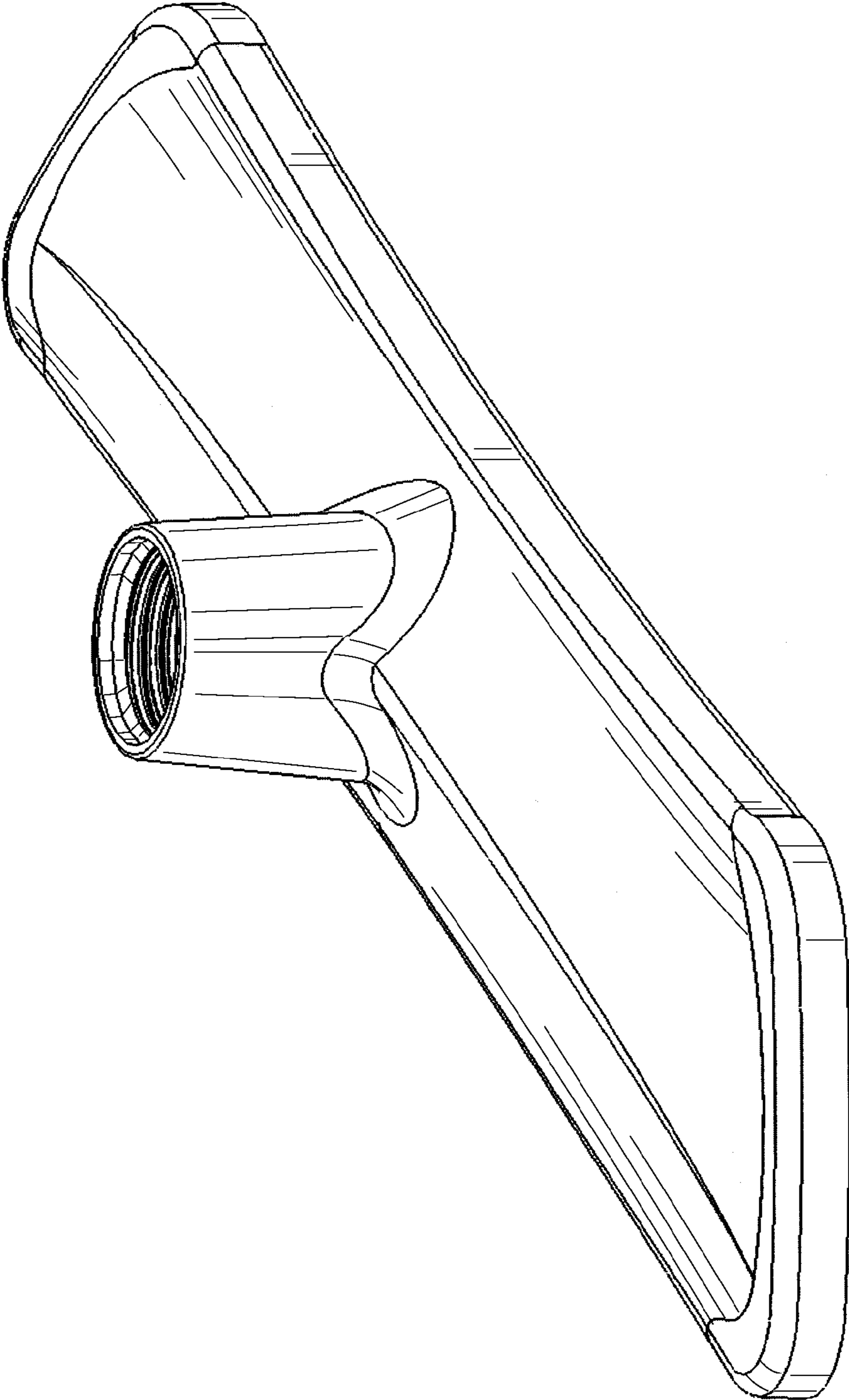


FIG. 1

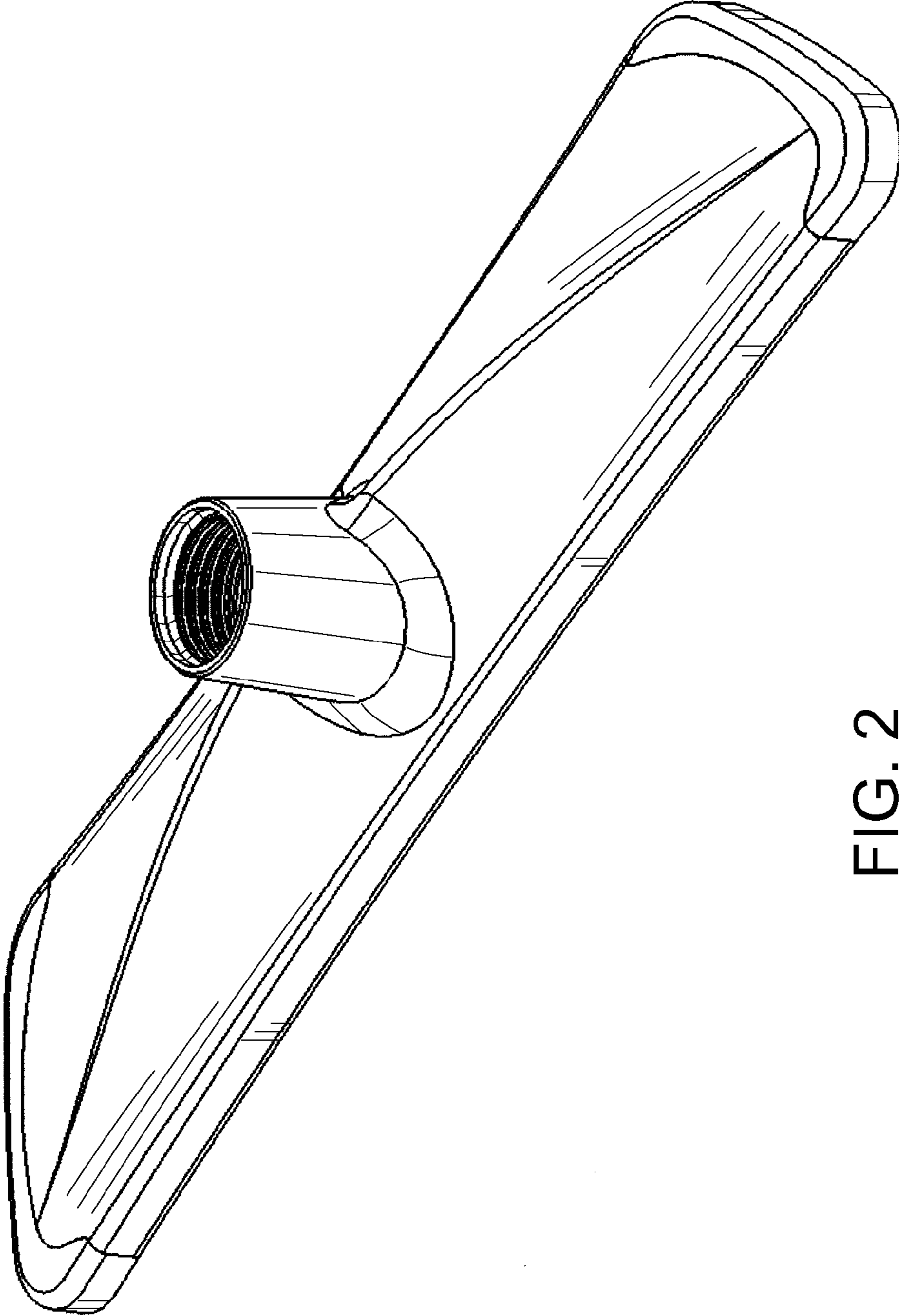


FIG. 2

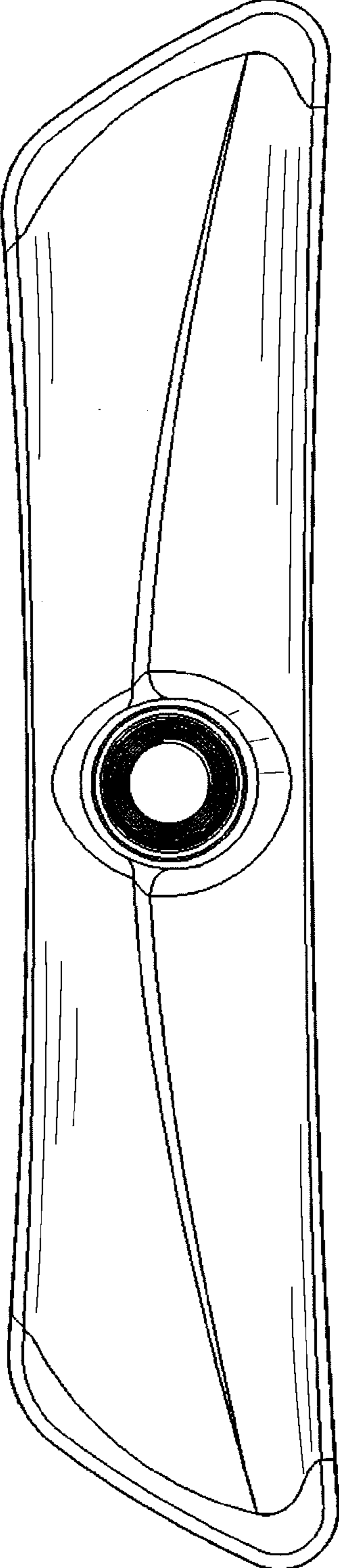


FIG. 3

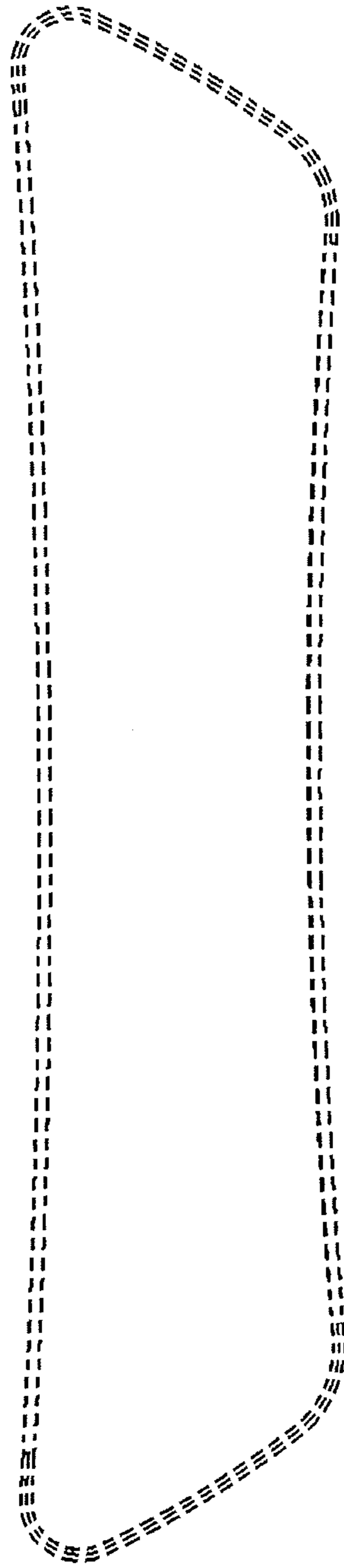


FIG. 4

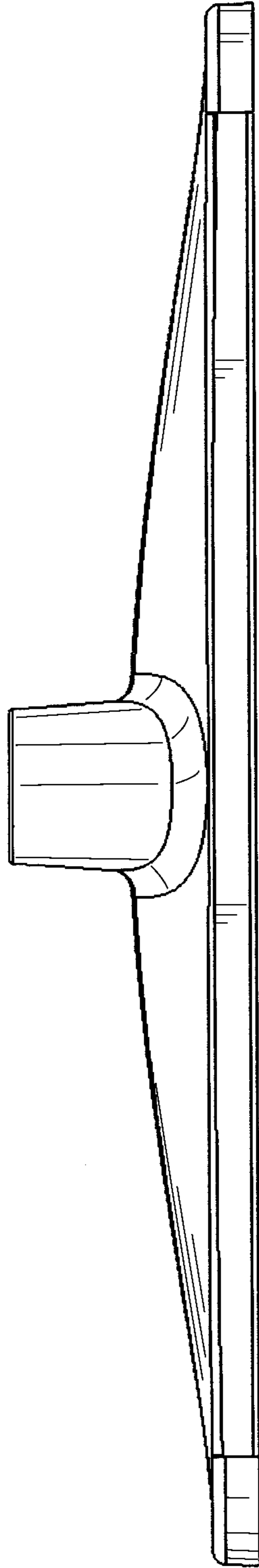


FIG. 5

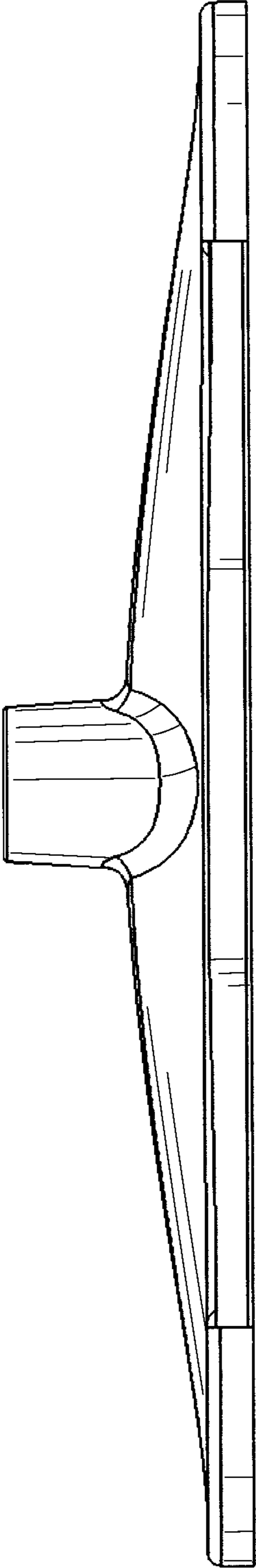


FIG. 6

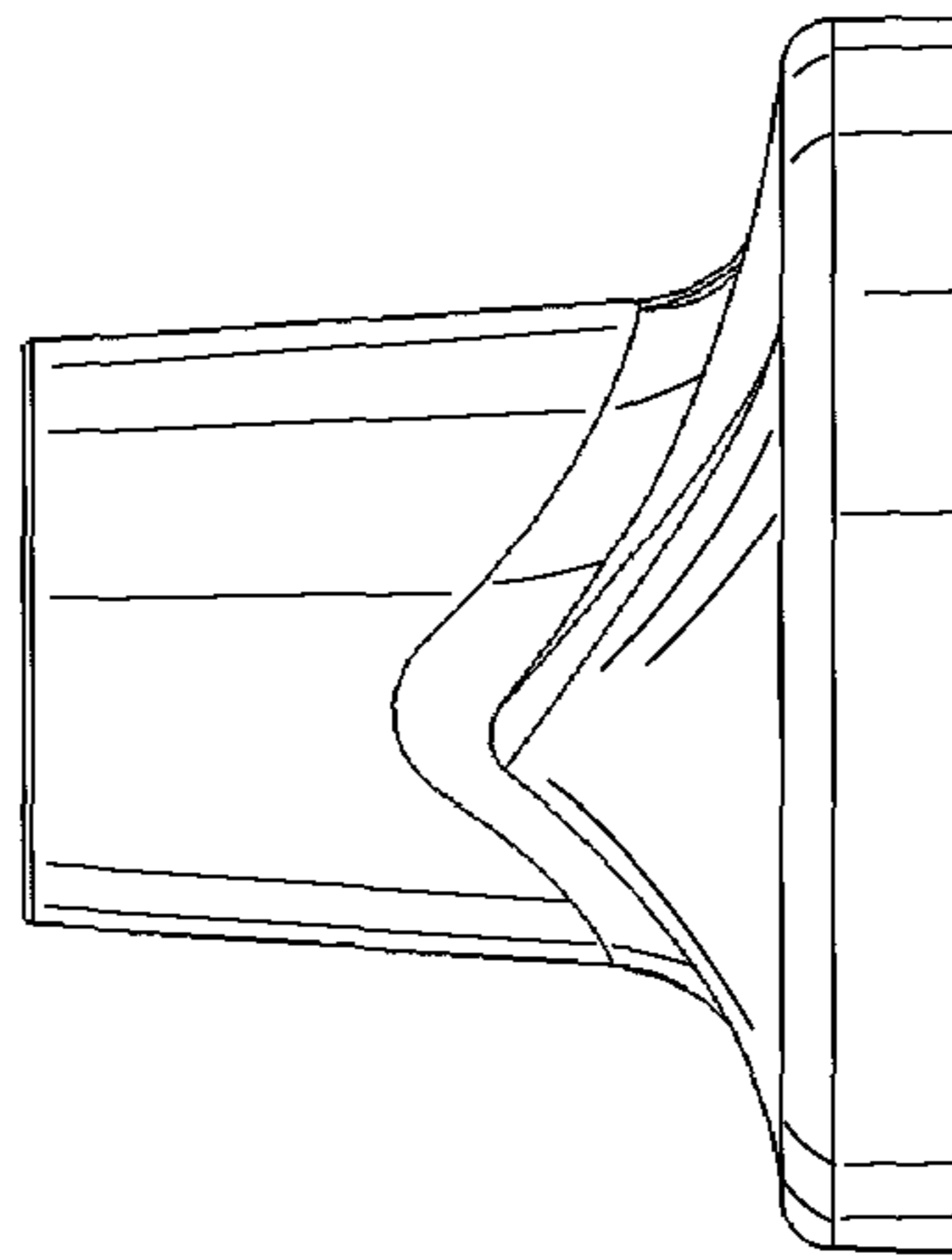


FIG. 7