



US00D698108S

(12) **United States Design Patent**
Selby

(10) **Patent No.:** **US D698,108 S**
(45) **Date of Patent:** **** Jan. 21, 2014**

- (54) **WASHING MACHINE HOSE**
 - (71) Applicant: **William J. Selby**, Stoughton, MA (US)
 - (72) Inventor: **William J. Selby**, Stoughton, MA (US)
 - (**) Term: **14 Years**
 - (21) Appl. No.: **29/443,014**
 - (22) Filed: **Jan. 31, 2013**
 - (51) **LOC (10) Cl.** **15-05**
 - (52) **U.S. Cl.**
USPC **D32/25**
 - (58) **Field of Classification Search**
USPC D32/1, 25; D23/200, 213, 262, 266;
138/109-110, 118, 124-127, 137;
68/207-208
- See application file for complete search history.

| | | | | | |
|--------------|------|---------|----------------|-------|---------|
| D469,520 | S * | 1/2003 | McLean | | D23/266 |
| 7,017,614 | B2 * | 3/2006 | Handley | | 138/109 |
| 7,077,166 | B2 * | 7/2006 | Heo et al. | | 138/118 |
| D537,218 | S * | 2/2007 | Selby | | D32/25 |
| D586,435 | S * | 2/2009 | Reckseen | | D23/266 |
| D613,378 | S * | 4/2010 | Hinson | | D23/266 |
| 2002/0017330 | A1 * | 2/2002 | Armenia et al. | | 138/109 |
| 2002/0129861 | A1 * | 9/2002 | Holdenried | | 138/109 |
| 2005/0247363 | A1 * | 11/2005 | Selby | | 138/127 |

* cited by examiner

Primary Examiner — T. Chase Nelson
Assistant Examiner — Kathleen M Sims
(74) *Attorney, Agent, or Firm* — Steven N. Fox, Esq.

(57) **CLAIM**
The ornamental design for a washing machine hose, as shown and described.

DESCRIPTION

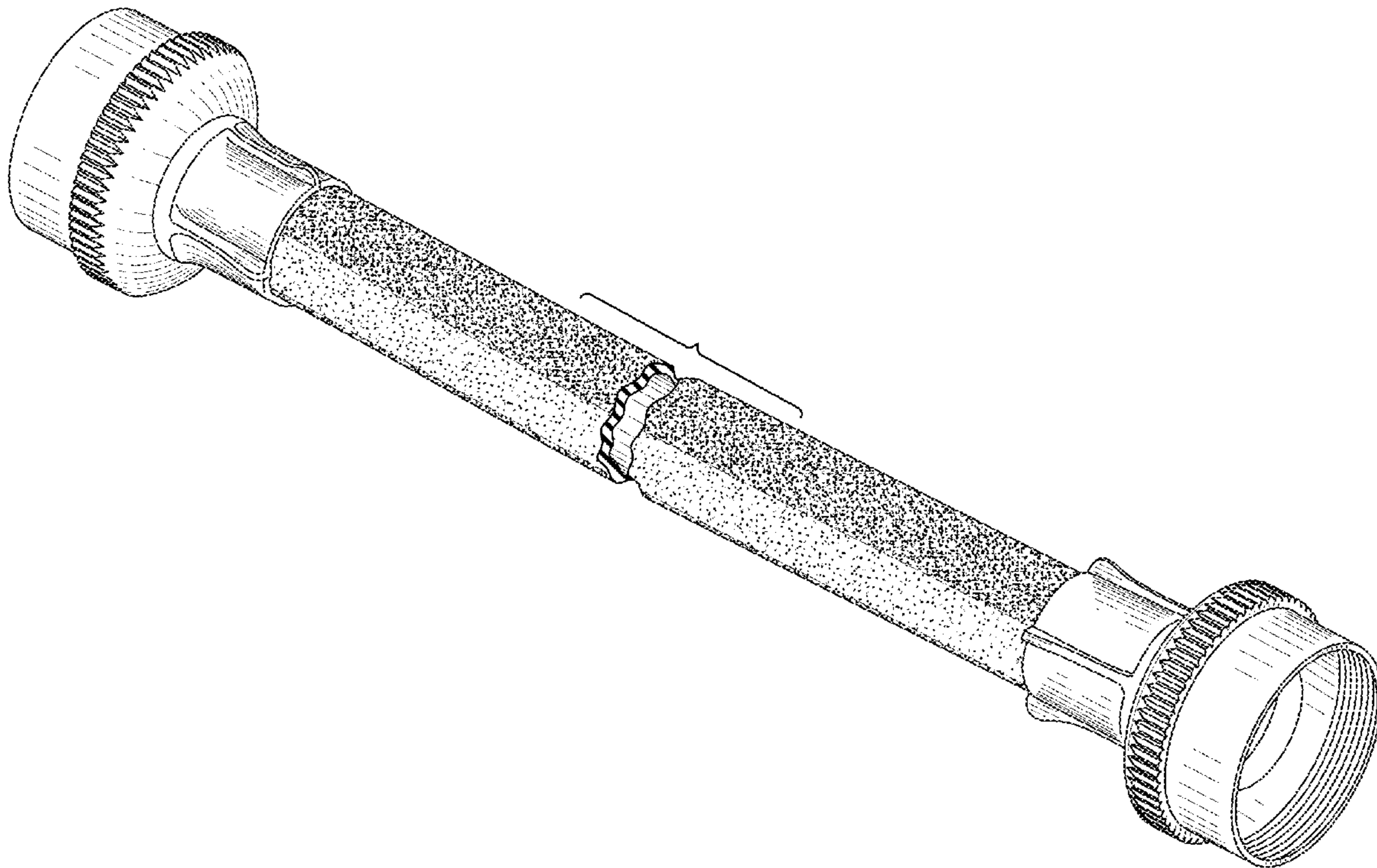
FIG. 1 is a perspective view of a washing machine hose according to the present invention; FIG. 2 is a top view thereof; the bottom view being a mirror image thereof; FIG. 3 is a left side view thereof; the right side view being a mirror image thereof; FIG. 4 is a front view thereof; and, FIG. 5 is a rear view thereof. The broken away symbols in the drawings indicate that any portion of the article beyond what is shown forms no part of the claimed design.

1 Claim, 3 Drawing Sheets

(56) **References Cited**

U.S. PATENT DOCUMENTS

| | | | | | |
|-----------|------|--------|----------------|-------|---------|
| D213,957 | S * | 4/1969 | Myerly | | D23/262 |
| D323,207 | S * | 1/1992 | Cole et al. | | D23/266 |
| 5,311,753 | A * | 5/1994 | Kanao | | 68/208 |
| 5,931,184 | A * | 8/1999 | Armenia et al. | | 137/312 |
| D413,657 | S * | 9/1999 | Lidgett | | D23/266 |
| 6,039,066 | A * | 3/2000 | Selby | | 137/312 |
| D425,184 | S * | 5/2000 | Lidgett | | D23/266 |
| 6,446,671 | B2 * | 9/2002 | Armenia et al. | | 138/109 |



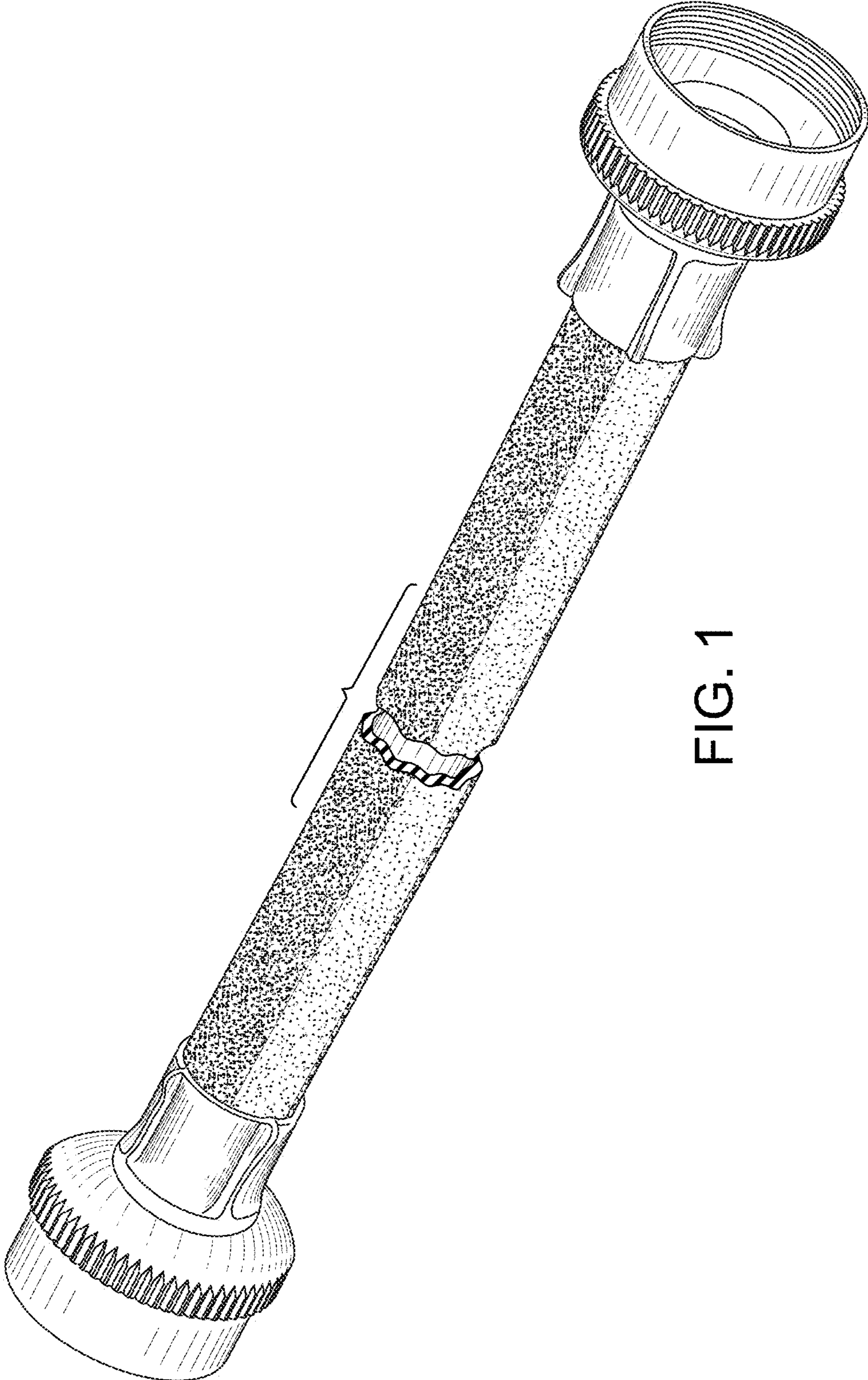


FIG. 1

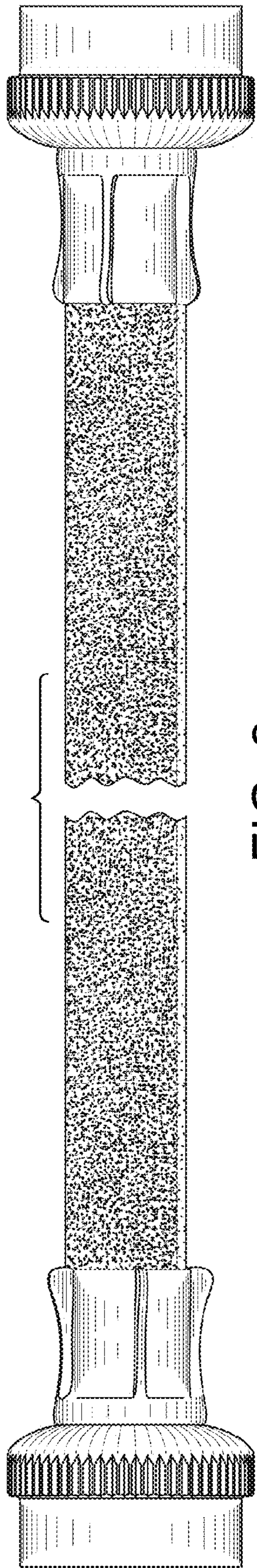


FIG. 2

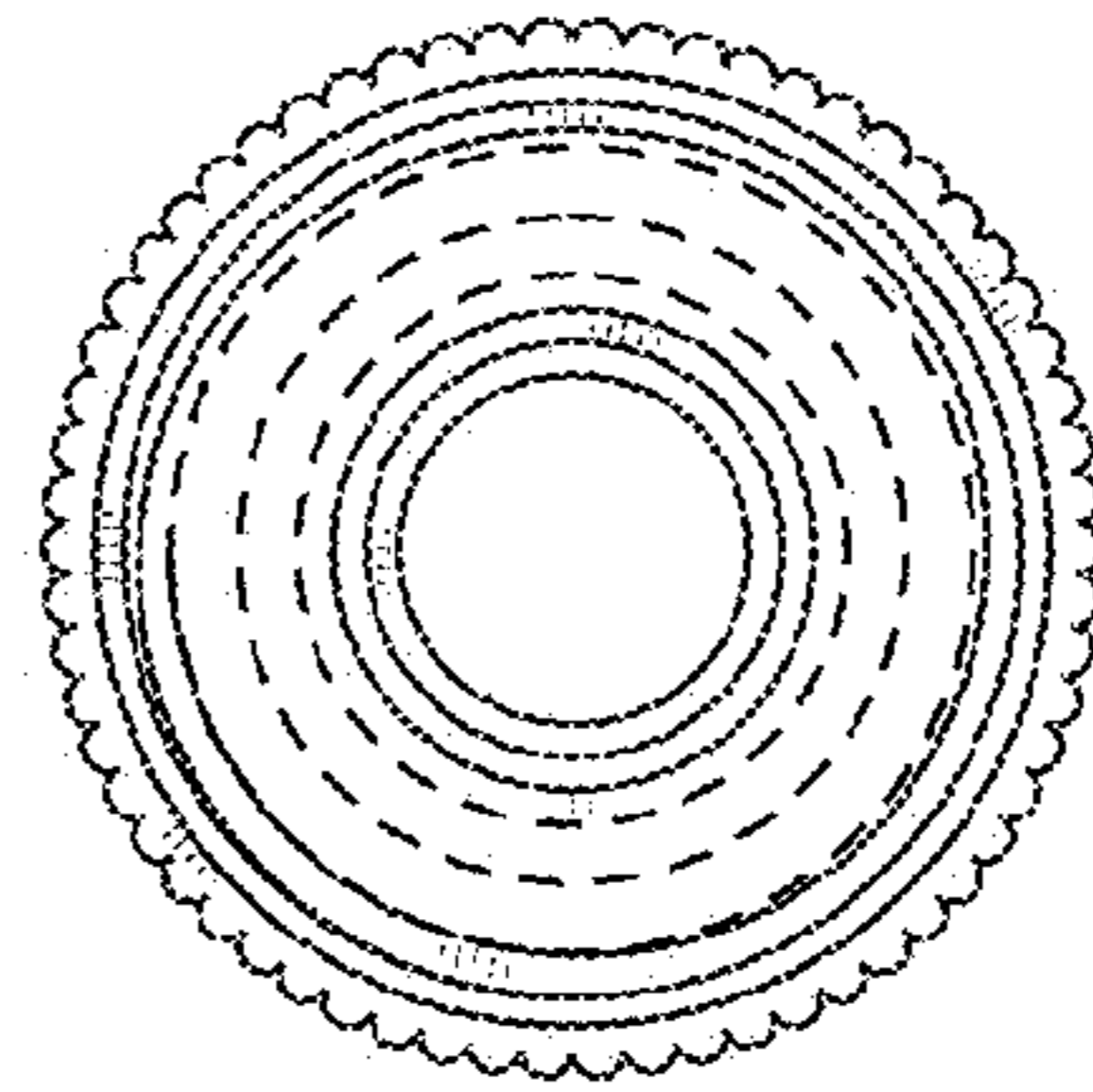


FIG. 3

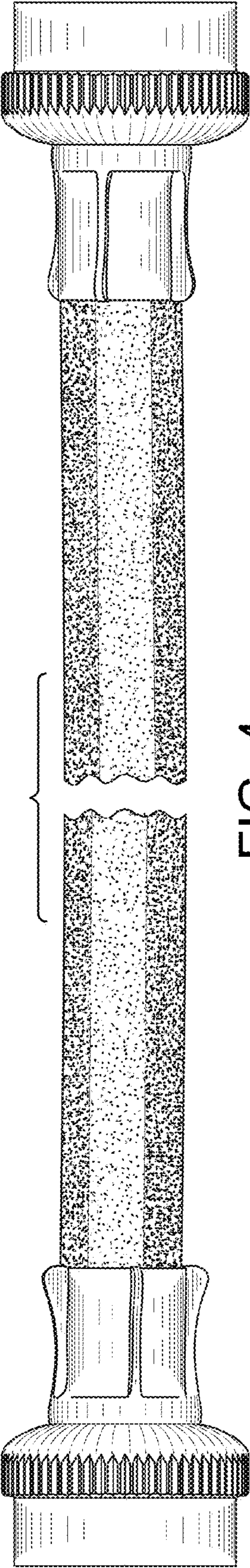


FIG. 4

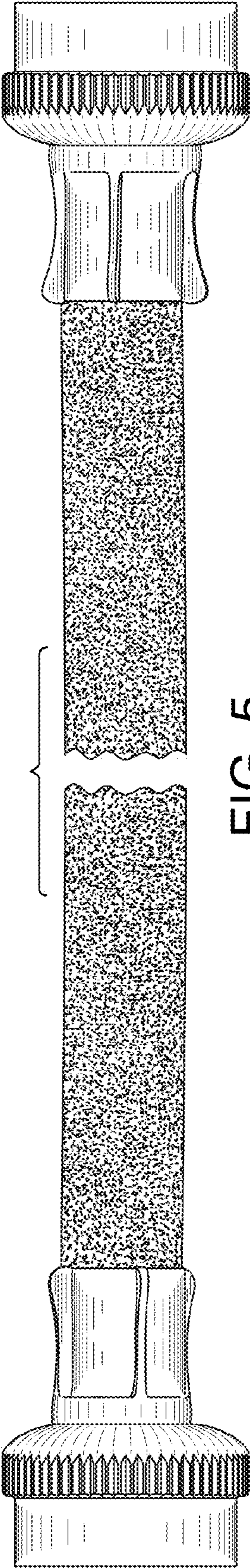


FIG. 5