



US00D698106S

(12) **United States Design Patent**
Crawley

(10) **Patent No.:** **US D698,106 S**
(45) **Date of Patent:** **** Jan. 21, 2014**

(54) **SWEEPER**

(75) Inventor: **Graeme Crawley**, Newcastle-upon-Tyne (GB)

(73) Assignee: **Black & Decker Inc.**, Newark, DE (US)

(**) Term: **14 Years**

(21) Appl. No.: **29/429,822**

(22) Filed: **Aug. 17, 2012**

(30) **Foreign Application Priority Data**

Feb. 20, 2012 (EM) 001314983

(51) **LOC (10) Cl.** **15-05**

(52) **U.S. Cl.**
USPC **D32/15**

(58) **Field of Classification Search**
USPC D32/1, 15, 17-19; D23/213, 383;
15/300.1, 330, 344-345, 405
See application file for complete search history.

(56) **References Cited**

U.S. PATENT DOCUMENTS

D359,603	S	*	6/1995	Rakocy et al.	D32/15
5,604,594	A	*	2/1997	Juffinger	356/405
D400,322	S	*	10/1998	Webster et al.	D32/15
D408,950	S	*	4/1999	Basham	D32/15
D416,360	S	*	11/1999	Enkyo et al.	D32/15
6,552,891	B1	*	4/2003	Prach	361/212
D480,844	S	*	10/2003	Noma et al.	D32/15
6,735,813	B2	*	5/2004	Oohama	15/330
D497,692	S	*	10/2004	Nawrozki et al.	D32/15

D498,885	S	*	11/2004	Robson	D32/15
D526,750	S	*	8/2006	Ito	D32/15
D558,939	S	*	1/2008	Yuasa	D32/15
D569,055	S	*	5/2008	Bochmann et al.	D32/15
D577,113	S	*	9/2008	Tinius	D23/383
D584,461	S	*	1/2009	Sweeney	D32/15
D594,961	S	*	6/2009	Tinius	D23/383
D605,819	S	*	12/2009	Tinius	D32/15
D615,716	S	*	5/2010	Tinius	D32/15
7,748,078	B2	*	7/2010	Andriolo et al.	15/345
D637,774	S	*	5/2011	Li et al.	D32/15
8,104,138	B2	*	1/2012	Schliemann et al.	15/330

* cited by examiner

Primary Examiner — T. Chase Nelson

Assistant Examiner — Kathleen M Sims

(74) *Attorney, Agent, or Firm* — John Yun

(57) **CLAIM**

The ornamental design for a sweeper, as shown and described.

DESCRIPTION

FIG. 1 is a left perspective view of a sweeper showing my new design;

FIG. 2 is a left side view thereof

FIG. 3 is a right side view thereof;

FIG. 4 is a front view thereof;

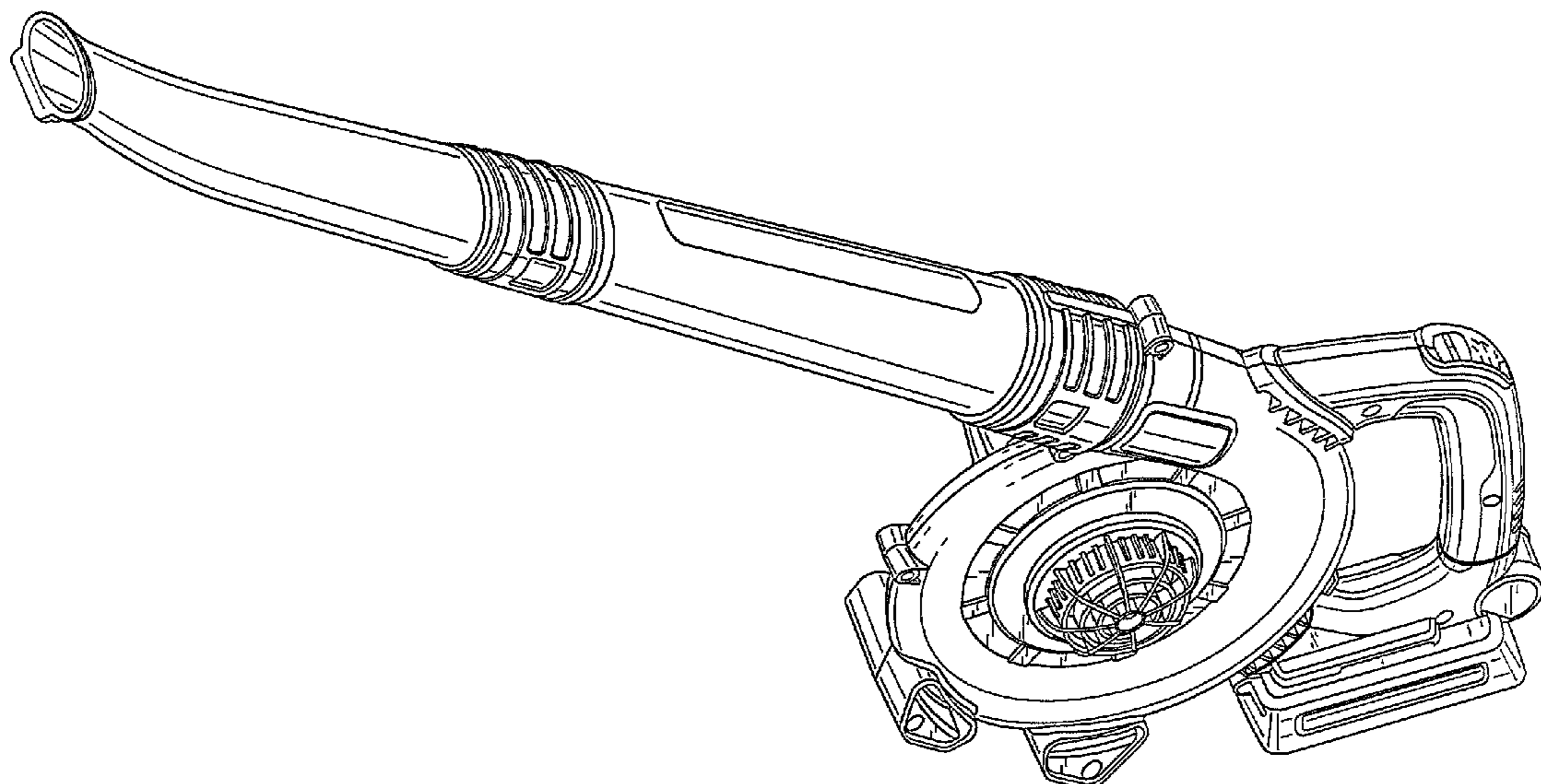
FIG. 5 is a rear view thereof;

FIG. 6 is a top plan view thereof; and,

FIG. 7 is a bottom plan view thereof.

The broken line showing of details in FIGS. 1, 3 and 6 are included for the purpose of showing environmental portions of the sweeper and form no part of the claimed design.

1 Claim, 5 Drawing Sheets



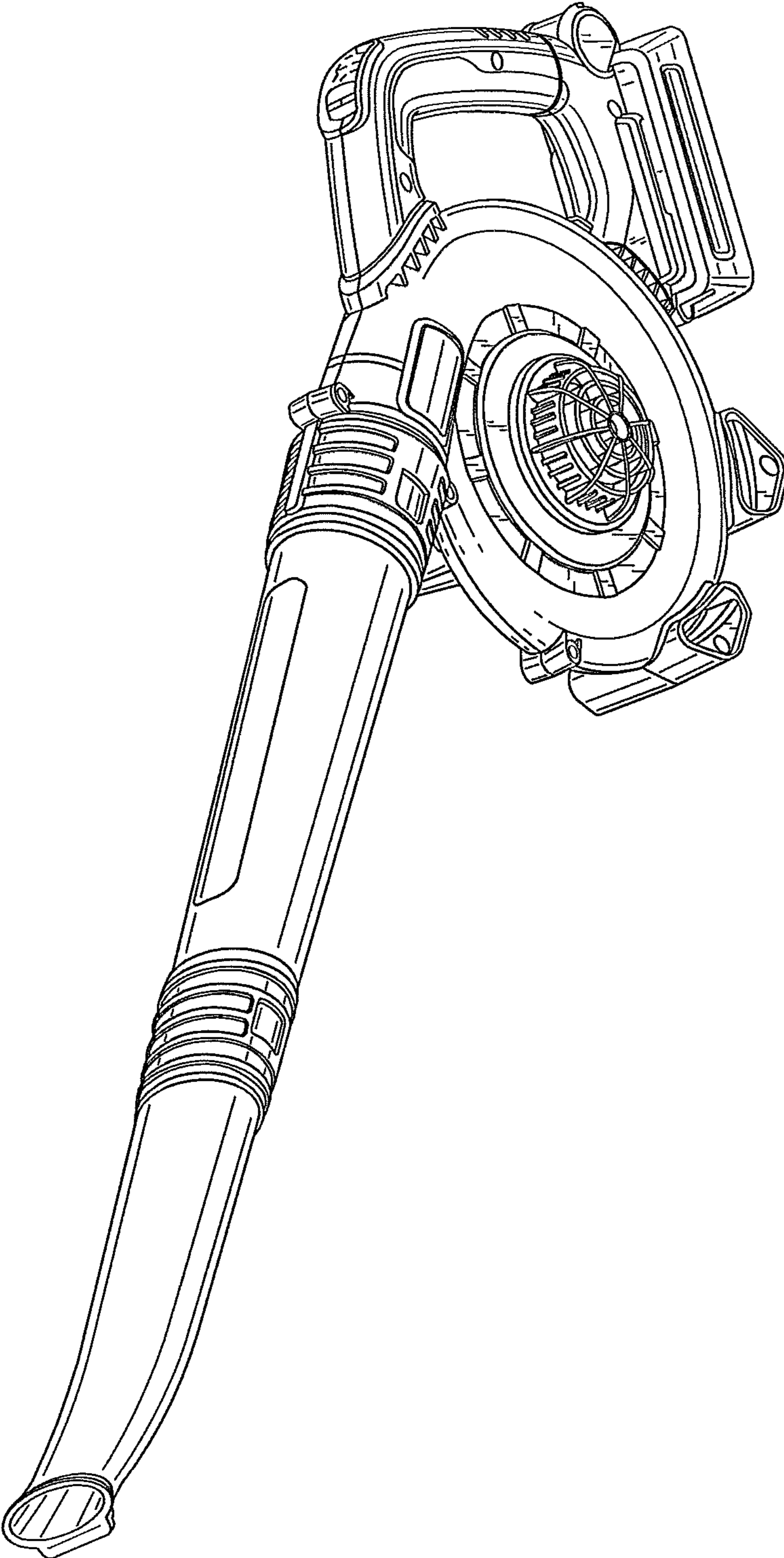


FIG. 1

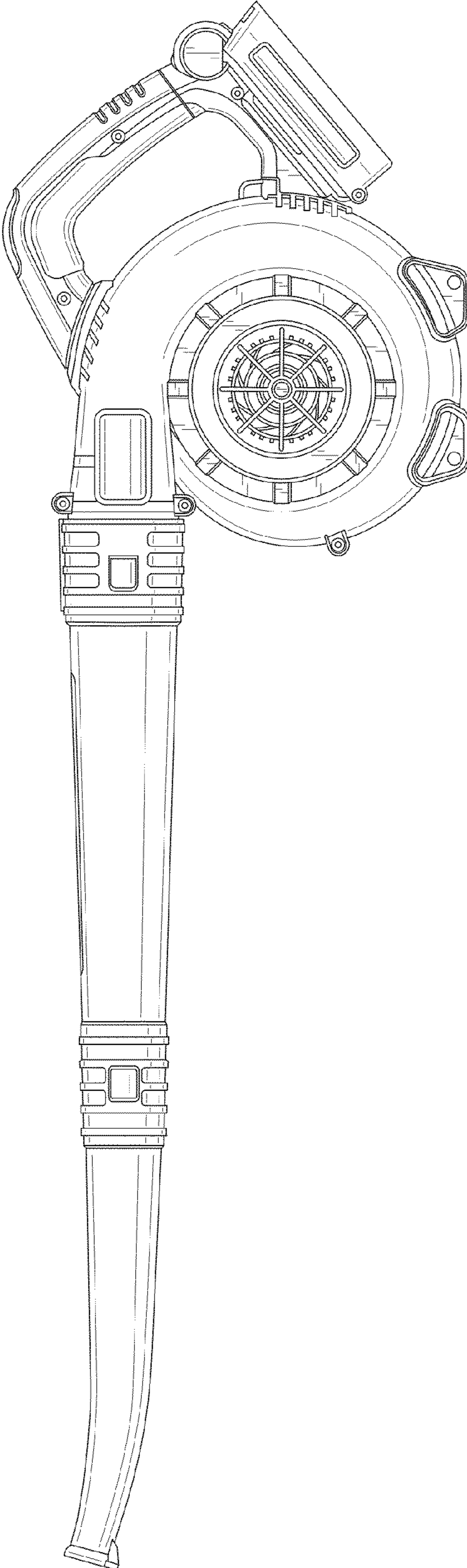


FIG. 2

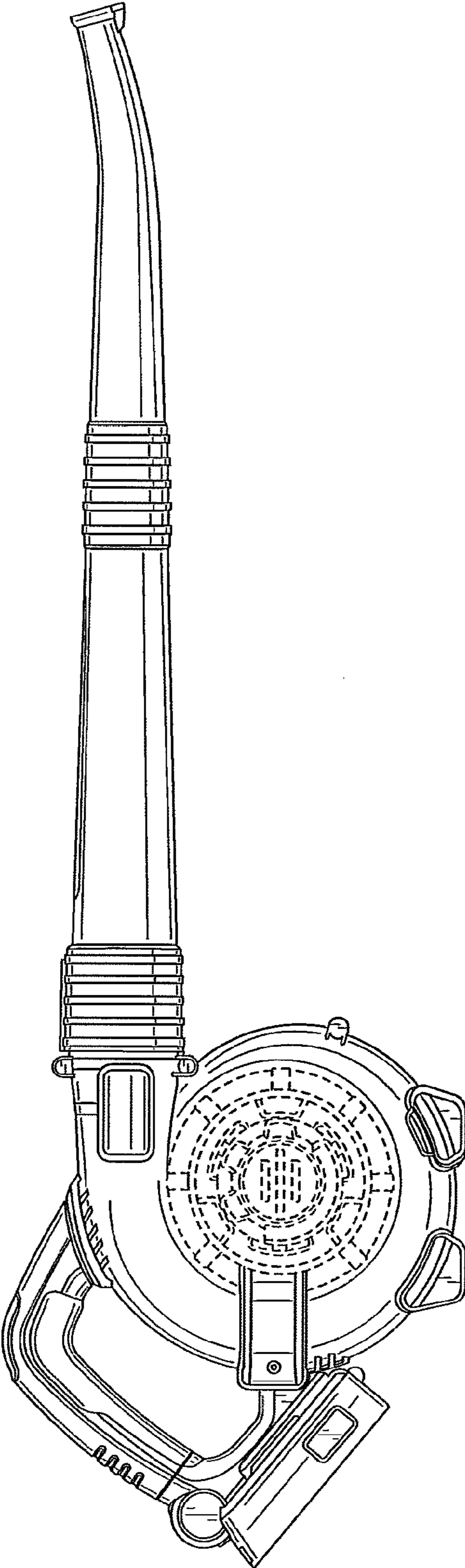


FIG. 3

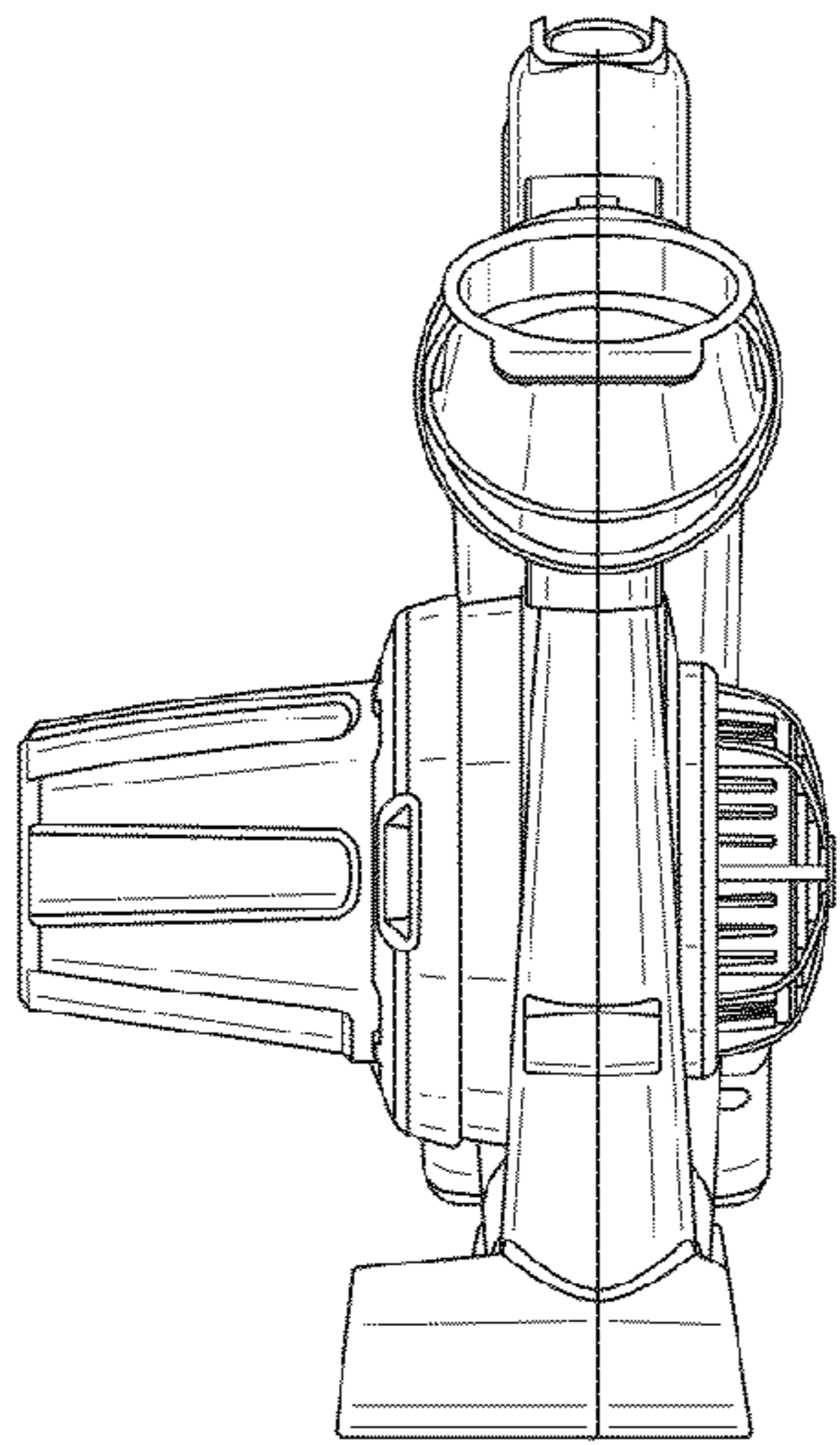


FIG. 4

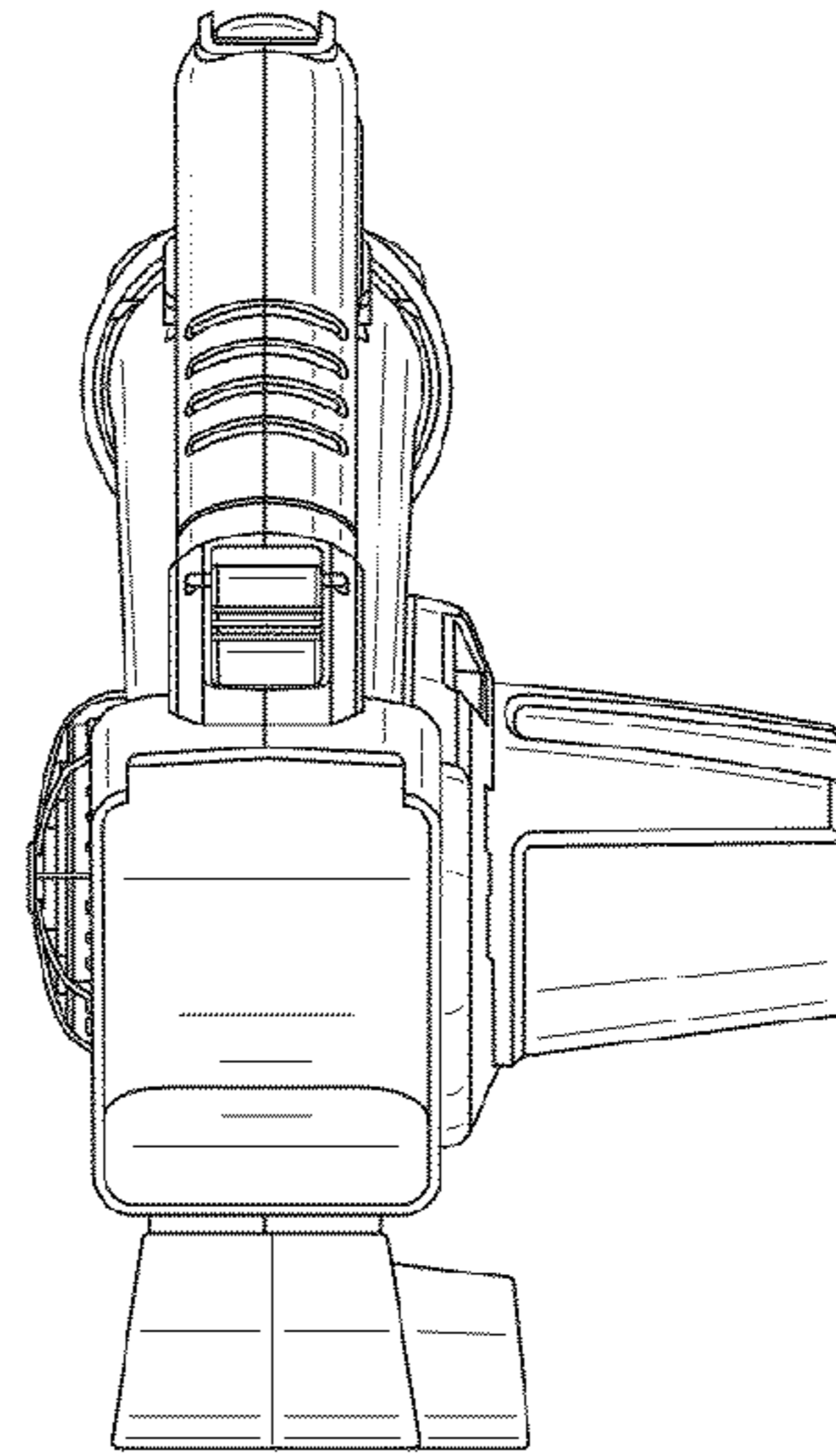


FIG. 5

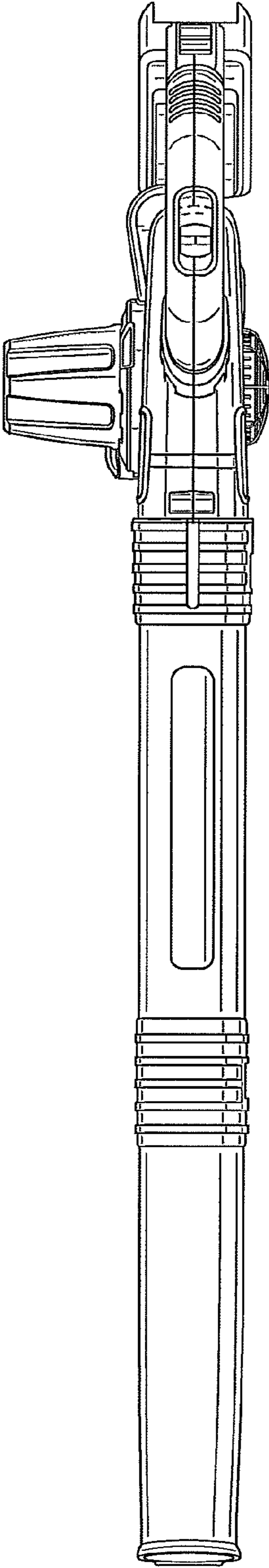


FIG. 6

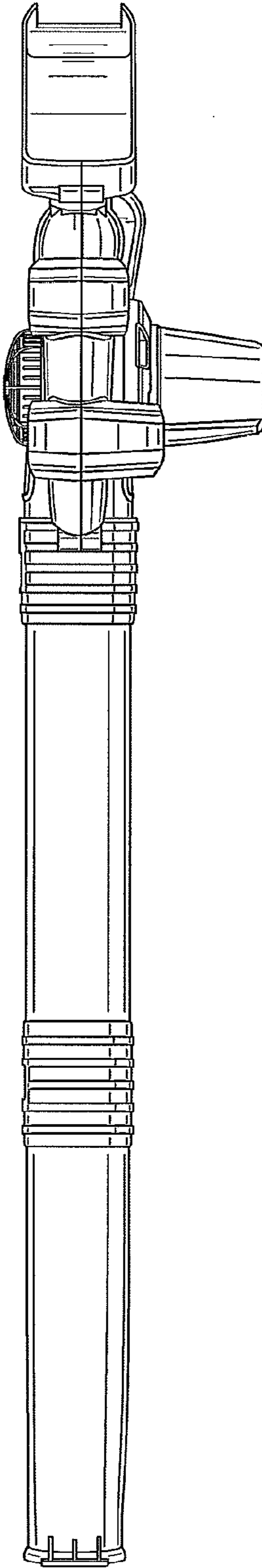


FIG. 7