

US00D698105S

(12) **United States Design Patent**
Huster

(10) **Patent No.:** **US D698,105 S**
(45) **Date of Patent:** **** Jan. 21, 2014**

(54) **ANIMAL TRANSPORT DEVICE**
(76) Inventor: **Steven J. Huster**, Sunman, IN (US)
(**) Term: **14 Years**
(21) Appl. No.: **29/392,518**
(22) Filed: **May 23, 2011**
(51) **LOC (10) Cl.** **30-99**
(52) **U.S. Cl.**
USPC **D30/199**
(58) **Field of Classification Search**
USPC D30/199, 144, 151, 154-156, 158;
D8/14, 107, 28, 51; D2/641, 643;
D3/18, 28; D22/134, 139, 199;
D34/10; 294/153, 165, 152, 151, 26, 2,
294/209, 210, 175, 146, 15, 156, 74, 141,
294/81.56; 452/187, 189; 43/53.5; 224/921
See application file for complete search history.

1,328,964 A * 1/1920 Penn 294/26
1,335,888 A * 4/1920 Fulton 294/153
1,465,510 A * 8/1923 Cote 294/26
1,527,280 A * 2/1925 Smith 294/11
1,555,605 A * 9/1925 Pomeroy 294/26
1,562,034 A * 11/1925 Mieher 294/26
1,710,575 A * 4/1929 Grant 294/26

(Continued)

OTHER PUBLICATIONS

One-page website printout from Rural King & Mills Fleet Farm for DragBuddy®, Copyright 2008, printout obtained May 10, 2011, <<http://www.dragbuddy.com/>>.

(Continued)

Primary Examiner — Susan Moon Lee
(74) *Attorney, Agent, or Firm* — Wood, Herron & Evans, LLP

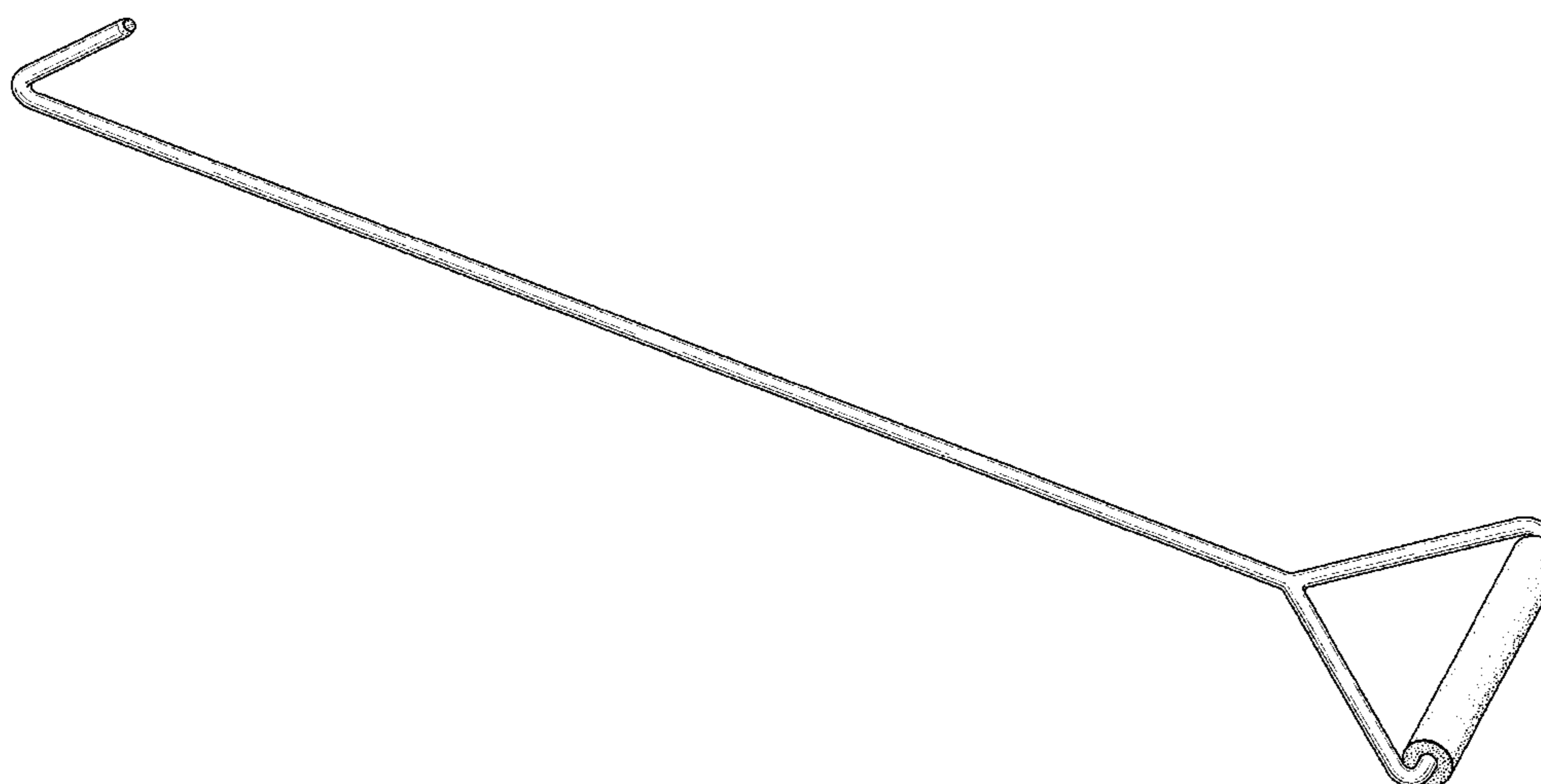
(57) **CLAIM**
I claim the ornamental design for an animal transport device.

DESCRIPTION

FIG. 1 is a perspective view of an animal transport device, showing my new design;
FIG. 2 is a left side elevation view thereof;
FIG. 3 is a front view thereof;
FIG. 4 is a back view thereof;
FIG. 5 is a top view thereof;
FIG. 6 is a bottom view thereof;
FIG. 7 is a perspective view of a second embodiment of the animal transport device;
FIG. 8 is a left side elevation view thereof;
FIG. 9 is a front view thereof;
FIG. 10 is a back view thereof;
FIG. 11 is a top view thereof; and,
FIG. 12 is a bottom view thereof.
The broken lines are not claimed.

1 Claim, 6 Drawing Sheets

(56) **References Cited**
U.S. PATENT DOCUMENTS
139,029 A * 5/1873 Smith 294/26
338,885 A * 3/1886 Stockinger 294/26
494,945 A * 4/1893 Wallace 294/26
510,526 A * 12/1893 Butler 294/26
524,230 A * 8/1894 Wesson 294/26
555,681 A * 3/1896 Dalton 294/26
642,282 A * 1/1900 Barclay 294/26
673,830 A * 5/1901 Wade 294/26
804,665 A * 11/1905 Marezek 294/26
867,886 A * 10/1907 Kriner 294/26
901,057 A * 10/1908 Autenrieth 294/26
901,210 A * 10/1908 Tarrant 119/717
1,004,297 A * 9/1911 Nygren et al. 294/26
1,055,748 A * 3/1913 Howse 43/44.82
1,086,636 A * 2/1914 Anderson 294/26
1,111,370 A * 9/1914 Faix et al. 294/26
1,202,120 A * 10/1916 Stuckel 294/26
1,311,618 A * 7/1919 Penn 294/26
D54,235 S * 12/1919 Bellows D8/26



(56)

References Cited

U.S. PATENT DOCUMENTS

- | | | | | | | | | | |
|-----------|-----|---------|-------------------|----------|-----------|------|---------|------------------|-----------|
| 1,910,725 | A * | 5/1933 | Valenta | 294/11 | D362,930 | S * | 10/1995 | Markles | D32/35 |
| 2,215,275 | A * | 9/1940 | Philips | 43/53.5 | D374,518 | S * | 10/1996 | McIntyre | D30/153 |
| 2,289,767 | A * | 7/1942 | Ford | 43/53.5 | D376,091 | S * | 12/1996 | Heglin | D8/98 |
| 2,441,458 | A * | 5/1948 | Underwood | 43/53.5 | D381,063 | S * | 7/1997 | Miller | D22/149 |
| 2,482,314 | A * | 9/1949 | Beckwell | 294/26 | 5,660,099 | A * | 8/1997 | Figueira, Jr. | 99/337 |
| 2,488,312 | A * | 11/1949 | Millican et al. | 294/26 | D384,253 | S * | 9/1997 | Patino | D8/14 |
| 2,541,331 | A * | 2/1951 | Boyd | 43/53.5 | D385,076 | S * | 10/1997 | Milbury | D34/10 |
| 2,610,884 | A * | 9/1952 | Enderle et al. | 294/15 | D395,808 | S * | 7/1998 | Loucks | D8/14 |
| 2,739,330 | A * | 3/1956 | Hitchcock | 15/176.3 | D407,461 | S * | 3/1999 | Creel | D22/149 |
| 2,793,463 | A * | 5/1957 | Nieman | 43/53.5 | 5,876,080 | A * | 3/1999 | Grippio | 294/26 |
| 2,809,864 | A * | 10/1957 | Carr | 239/201 | 5,901,999 | A * | 5/1999 | Brock | 294/153 |
| 2,812,206 | A * | 11/1957 | Brunn | 452/192 | 5,951,080 | A * | 9/1999 | Wessner | 294/153 |
| 2,830,840 | A * | 4/1958 | Johnson | 452/189 | 5,971,458 | A * | 10/1999 | Contreras et al. | 294/150 |
| 2,882,084 | A * | 4/1959 | Eatinger | 294/26 | D416,772 | S * | 11/1999 | Milbury | D8/14 |
| 2,931,629 | A * | 4/1960 | Keller | 254/409 | 6,003,914 | A * | 12/1999 | Brisbin | 294/26 |
| 2,970,001 | A * | 1/1961 | Sobotka | 294/26 | 6,006,968 | A * | 12/1999 | McCarthy et al. | 224/184 |
| 2,998,670 | A * | 9/1961 | Edwards | 43/53.5 | D424,762 | S * | 5/2000 | Nasser | D30/153 |
| 3,029,503 | A * | 4/1962 | Meyer | 29/283 | 6,089,636 | A * | 7/2000 | Harris | 294/150 |
| 3,038,644 | A * | 6/1962 | Johnson | 224/184 | D430,780 | S * | 9/2000 | Stephenson | D8/14 |
| 3,099,100 | A * | 7/1963 | Wiseman | 43/53.5 | 6,129,399 | A * | 10/2000 | Burch, Sr. | 294/153 |
| 3,162,475 | A * | 12/1964 | Van Allen | 294/26 | D434,199 | S * | 11/2000 | Alviso | D34/28 |
| 3,188,130 | A * | 6/1965 | Pietrowicz | 294/74 | 6,142,547 | A * | 11/2000 | Bowerman | 294/150 |
| D203,935 | S * | 3/1966 | Kleber | D22/149 | D435,328 | S * | 12/2000 | Harris et al. | D2/641 |
| 3,310,331 | A * | 3/1967 | Michaud | 294/26 | 6,250,699 | B1 * | 6/2001 | Robertson | 294/153 |
| 3,385,625 | A * | 5/1968 | Heines | 294/26 | D456,484 | S * | 4/2002 | D'Antico | D22/149 |
| 3,645,212 | A * | 2/1972 | Dahlstrom | 105/354 | 6,397,513 | B1 * | 6/2002 | Reed | 43/53.5 |
| 3,706,154 | A * | 12/1972 | Luebbbers et al. | 43/53.5 | D459,959 | S * | 7/2002 | Fetterman et al. | D8/14 |
| D227,759 | S * | 7/1973 | Enagureto | D22/150 | 6,422,623 | B1 * | 7/2002 | Thomas | 294/24 |
| 3,752,525 | A * | 8/1973 | Hanna et al. | 294/74 | 6,457,763 | B2 * | 10/2002 | Cornelius | 294/153 |
| 3,761,121 | A * | 9/1973 | Reid | 294/26 | D475,258 | S * | 6/2003 | Wilson | D8/14 |
| 3,837,622 | A * | 9/1974 | Gale | 254/131 | D483,799 | S * | 12/2003 | Kadota | D18/40 |
| 3,888,038 | A * | 6/1975 | Howell | 43/53.5 | D486,879 | S * | 2/2004 | Powell et al. | D22/199 |
| 3,927,538 | A * | 12/1975 | Martella | 66/117 | D488,592 | S * | 4/2004 | Flint | D30/199 |
| 4,045,904 | A * | 9/1977 | Lore | 43/53.5 | 6,755,454 | B1 * | 6/2004 | Cary | 294/150 |
| 4,098,442 | A * | 7/1978 | Moore | 294/141 | 6,824,182 | B2 * | 11/2004 | Graham | 294/137 |
| 4,127,957 | A * | 12/1978 | Bourquin et al. | 43/53.5 | 6,837,132 | B1 * | 1/2005 | MacDonald | 81/488 |
| 4,132,427 | A * | 1/1979 | McGee | 280/19 | D504,934 | S * | 5/2005 | Amburgey | D22/149 |
| 4,206,561 | A * | 6/1980 | Wong et al. | 43/53.5 | D507,688 | S * | 7/2005 | Jean | D34/10 |
| 4,243,164 | A * | 1/1981 | Burlison et al. | 294/146 | 6,921,325 | B1 * | 7/2005 | Mace | 452/6 |
| D258,342 | S * | 2/1981 | Boulis et al. | D8/14 | 6,935,664 | B2 * | 8/2005 | McGrew et al. | 294/26 |
| D259,299 | S * | 5/1981 | Vreeken | D2/641 | D509,329 | S * | 9/2005 | Willner et al. | D30/153 |
| 4,335,891 | A * | 6/1982 | Alley et al. | 280/19 | D509,881 | S * | 9/2005 | Waltrip | D22/199 |
| 4,364,592 | A * | 12/1982 | Jackson | 294/26 | D512,285 | S * | 12/2005 | Schwartz | D8/14 |
| 4,431,121 | A * | 2/1984 | Bensette | 224/153 | D515,659 | S * | 2/2006 | Szymanski | D22/149 |
| 4,529,240 | A * | 7/1985 | Engel | 294/141 | 7,052,057 | B2 * | 5/2006 | Hiles | 294/26 |
| 4,574,512 | A * | 3/1986 | Hahn | 43/5 | 7,090,217 | B1 * | 8/2006 | Siron | 273/148 R |
| D298,299 | S * | 11/1988 | Deibel | D8/14 | 7,108,304 | B2 * | 9/2006 | White | 294/10 |
| D298,769 | S * | 11/1988 | Atkinson | D22/149 | 7,131,675 | B1 * | 11/2006 | Loucks | 294/10 |
| D300,713 | S * | 4/1989 | Trapasso | D8/1 | 7,159,260 | B2 * | 1/2007 | Hansen | 7/143 |
| 4,828,307 | A * | 5/1989 | Sokol et al. | 452/192 | D536,415 | S * | 2/2007 | Riley | D22/149 |
| 4,914,853 | A * | 4/1990 | Swindle | 43/53.5 | D543,257 | S * | 5/2007 | Kaempfe et al. | D22/199 |
| D308,005 | S * | 5/1990 | Nickert | D8/14 | D543,425 | S * | 5/2007 | Fiore et al. | D8/10 |
| 4,955,647 | A * | 9/1990 | Alfredson | 294/14 | D546,147 | S * | 7/2007 | Cullen | D8/16 |
| D311,311 | S * | 10/1990 | Metzger | D8/14 | 7,341,506 | B1 * | 3/2008 | Hogue | 452/189 |
| D311,312 | S * | 10/1990 | Morton | D8/14 | 7,344,170 | B2 * | 3/2008 | Ingram | 294/11 |
| D311,482 | S * | 10/1990 | Morton | D8/51 | 7,344,172 | B1 * | 3/2008 | Bauman | 294/26 |
| D312,164 | S * | 11/1990 | Pierotti | D34/28 | D566,495 | S * | 4/2008 | Hackmann | D8/14 |
| D325,688 | S * | 4/1992 | Schreib | D8/14 | D583,638 | S * | 12/2008 | Lautenbacher | D8/14 |
| D327,614 | S * | 7/1992 | Banks et al. | D8/14 | D587,470 | S * | 3/2009 | Croisdale et al. | D6/317 |
| 5,131,707 | A * | 7/1992 | Zazzara et al. | 294/156 | D594,296 | S * | 6/2009 | Slingerland | D8/14 |
| 5,145,224 | A * | 9/1992 | Welk | 294/2 | D600,082 | S * | 9/2009 | Braver | D8/14 |
| D330,494 | S * | 10/1992 | Eagle, Jr. | D8/14 | D603,014 | S * | 10/2009 | Rice | D22/199 |
| 5,171,052 | A * | 12/1992 | Cunningham | 294/210 | 7,699,368 | B2 * | 4/2010 | Nicol | 294/26 |
| D332,382 | S * | 1/1993 | Westcott | D8/89 | D623,489 | S * | 9/2010 | Powell et al. | D8/14 |
| D333,695 | S * | 3/1993 | Gatto et al. | D22/199 | D623,910 | S * | 9/2010 | Botkin | D8/14 |
| 5,217,240 | A * | 6/1993 | Gardenhour et al. | 280/282 | 7,818,914 | B1 * | 10/2010 | Baiamonte et al. | 43/53.5 |
| 5,240,300 | A * | 8/1993 | Ramsey | 294/153 | 7,896,414 | B1 * | 3/2011 | Brigham | 294/26 |
| D342,610 | S * | 12/1993 | Stetson et al. | D4/122 | 7,896,416 | B2 * | 3/2011 | Carter | 294/167 |
| 5,305,960 | A * | 4/1994 | Healey | 294/219 | D636,036 | S * | 4/2011 | Rios | D21/662 |
| 5,316,356 | A * | 5/1994 | Nutting | 294/118 | 8,015,619 | B2 * | 9/2011 | McKay et al. | 2/69 |
| 5,351,365 | A * | 10/1994 | Hauck | 16/422 | 8,016,335 | B2 * | 9/2011 | McKay | 294/152 |
| D353,981 | S * | 1/1995 | Harbaugh et al. | D34/28 | D651,055 | S * | 12/2011 | Braver | D8/14 |
| D354,662 | S * | 1/1995 | Brezany | D34/28 | D653,002 | S * | 1/2012 | Hull | D30/153 |
| 5,382,064 | A * | 1/1995 | Blais | 294/26 | D665,641 | S * | 8/2012 | Raleigh | D8/28 |
| 5,439,263 | A * | 8/1995 | Chambers | 294/26 | 8,251,421 | B1 * | 8/2012 | Homan | 294/153 |
| | | | | | 8,292,341 | B1 * | 10/2012 | Sokoly | 294/152 |
| | | | | | 8,348,254 | B2 * | 1/2013 | Mooney | 269/47 |
| | | | | | D676,107 | S * | 2/2013 | Malcarne | D22/149 |
| | | | | | 8,366,164 | B2 * | 2/2013 | Lee | 294/150 |

(56)

References Cited

U.S. PATENT DOCUMENTS

D679,560	S *	4/2013	Fehsenfeld et al.	D8/14
D684,443	S *	6/2013	Thompson	D8/14
2001/0048230	A1 *	12/2001	Cornelius	294/153
2004/0025408	A1 *	2/2004	Newman, Sr.	43/53.5
2004/0100109	A1 *	5/2004	Johnson	294/26
2004/0217609	A1 *	11/2004	Freiling et al.	294/26
2005/0088002	A1 *	4/2005	Dwyer	294/26
2005/0093314	A1 *	5/2005	McGrew et al.	294/26
2006/0103150	A1 *	5/2006	Leonard	294/26
2007/0089355	A1 *	4/2007	Burgett	43/53.5
2007/0296232	A1 *	12/2007	Elder	294/157
2008/0039003	A1 *	2/2008	Peitz	452/187
2009/0261607	A1 *	10/2009	Braver	294/26
2009/0284032	A1 *	11/2009	Nicol	294/26
2010/0026025	A1 *	2/2010	McKay	294/140
2010/0320784	A1 *	12/2010	Rosenbaum	294/26
2011/0268553	A1 *	11/2011	Hershberger	414/800

OTHER PUBLICATIONS

One-page website printout from Explore Products.com for Allen Deer Drag Harness, printout obtained May 10, 2011, <http://www.exploreproducts.com/allen-deer-drag-harness-3.3htm>.

One-page website printout from Gander Mtn® for Heavy Hauler Deer Drag Harness, printout obtained May 10, 2011, http://www.gandermountain.com/modperl/product/details.cgi&i=428715&pdesc=Heavy_Hauler_Deer_Drag_Harness.

One-page website printout from Game Glide, for Game Glide Deer Drag Sled Launch, launched Aug. 16, 2010, printout obtained May 9, 2011, <http://gameglide.com/game-glide-deer-drag-sled-launch>.

One-page website printout from Glenn's Deer Handle for Glenn's Deer Handle, printout obtained May 9, 2011, [http:// www.deerhandle.com/](http://www.deerhandle.com/).

One-page website printout from KL Industries Viking Deer Drag (65") at Blain's Farm & Fleet, for Viking Deer Drag, printout obtained May 9, 2011, http://www.farmandfleet.com/products/327725-viking_deer_drag.html?source=googleps.

One-page website printout from Nextag, for Hunting: Ameristep Backpack Game Cart; printout obtained May 9, 2011, <http://www.nextag.com/Ameristep-Non-Typical-Deer-648577699/prices.html>.

One-page website printout from L.L. Bean, for Dead Sled Deer Drag, printout obtained May 9, 2011, http://www.llbean.com/llb/shop/48200?pi=831195&subrnd=0&qs=3021021_pmd_nextag.

One-page website printout from 3 Rivers Archery, for E-Z Up Climbing & Deer Drag Belt, printout obtained May 10, 2011, http://www-3riversarchery.com/Treestands+Blinds+Treestand+Accesso...-Z+Up+Climbing+%26+Deer+Drag+Belt_c60_s176_p0_i7550X_product.html.

Two-page website printout from ebay for 8" Tag & Drag handle Kit Deer hunting Camo Rope Drags, printout obtained May 9, 2011, <http://cgi.ebay.com/ws/eBayISAPI.dll?ViewItem&Item=350230551651>.

Two-page website printout from E-Z Hunter®, for the New E-Z Hunter® Deer Drag, printout obtained May 10, 2011, <http://www.e-hunter.com/>.

Two-page website printout from Cabela's, for Game Carts and Carriers, printout obtained May 9, 2011, <http://www.cabelas.com/game-carts-carriers.shtml>.

* cited by examiner

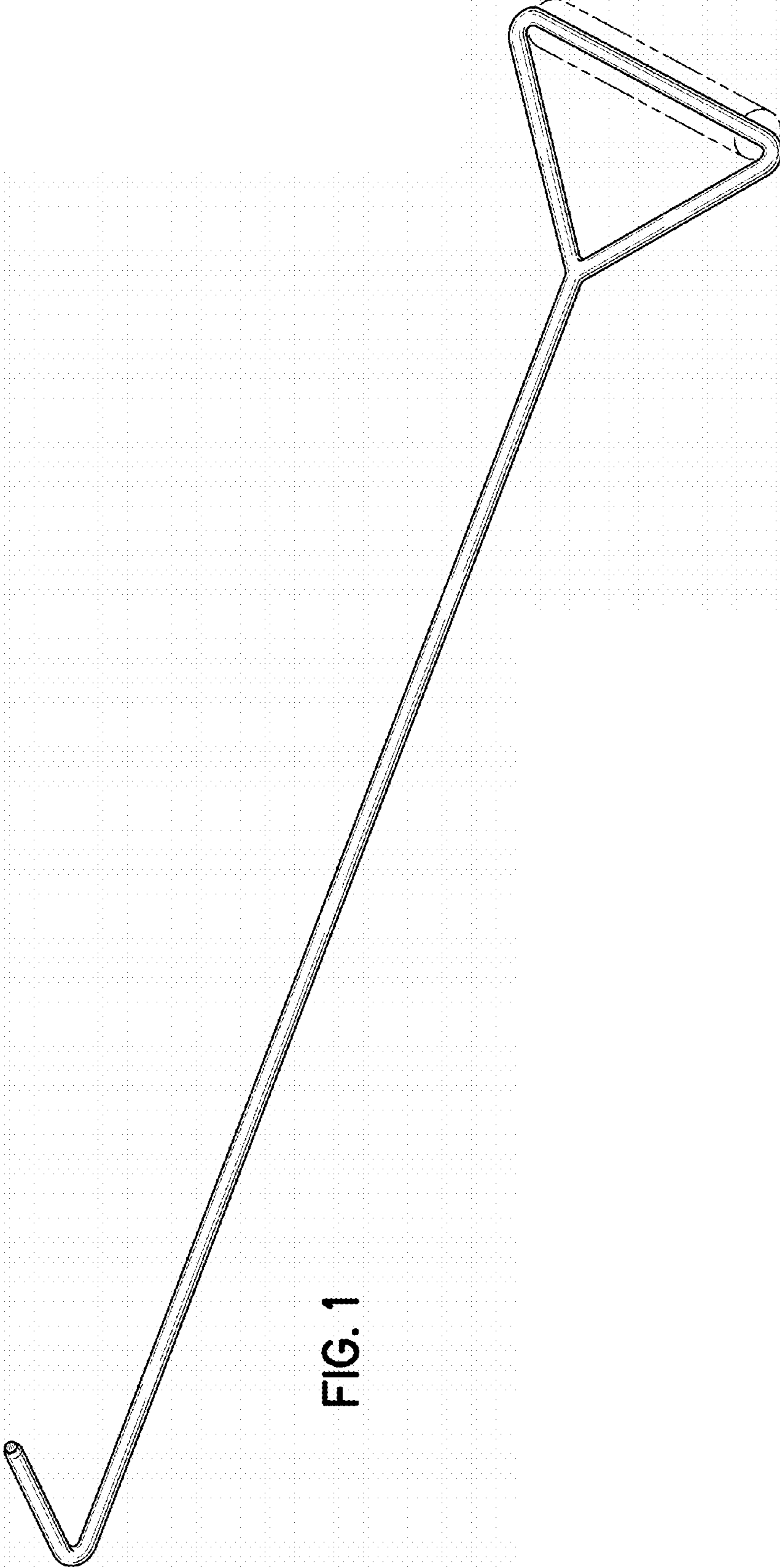


FIG. 1

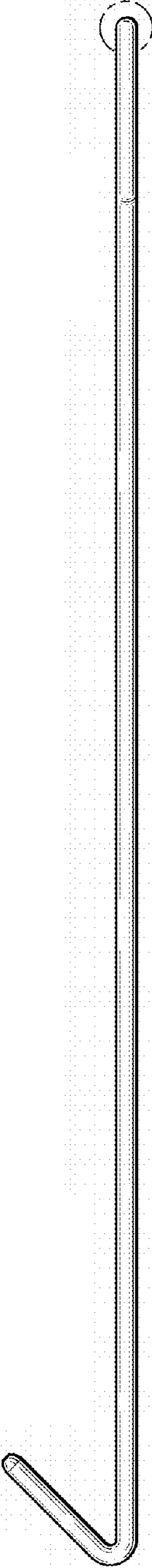


FIG. 2

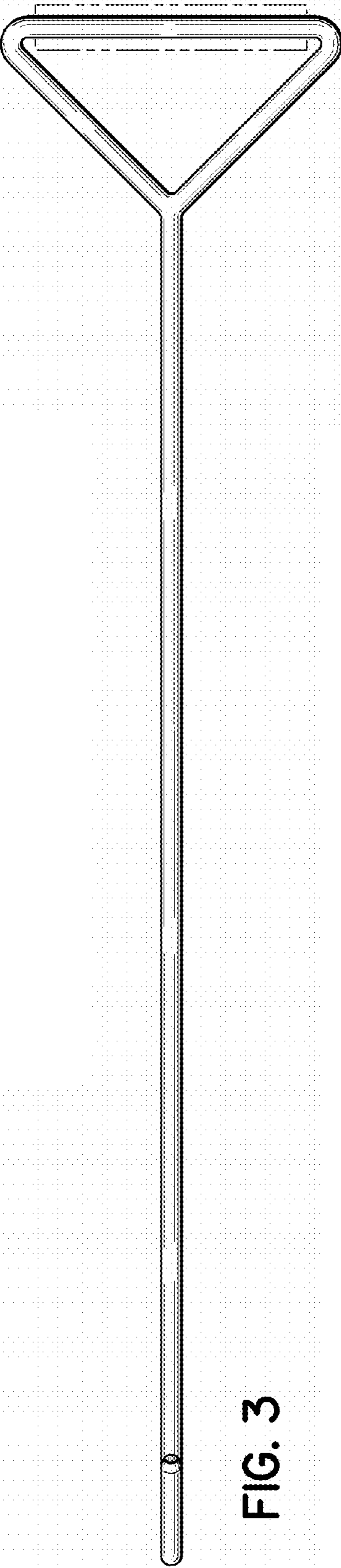


FIG. 3

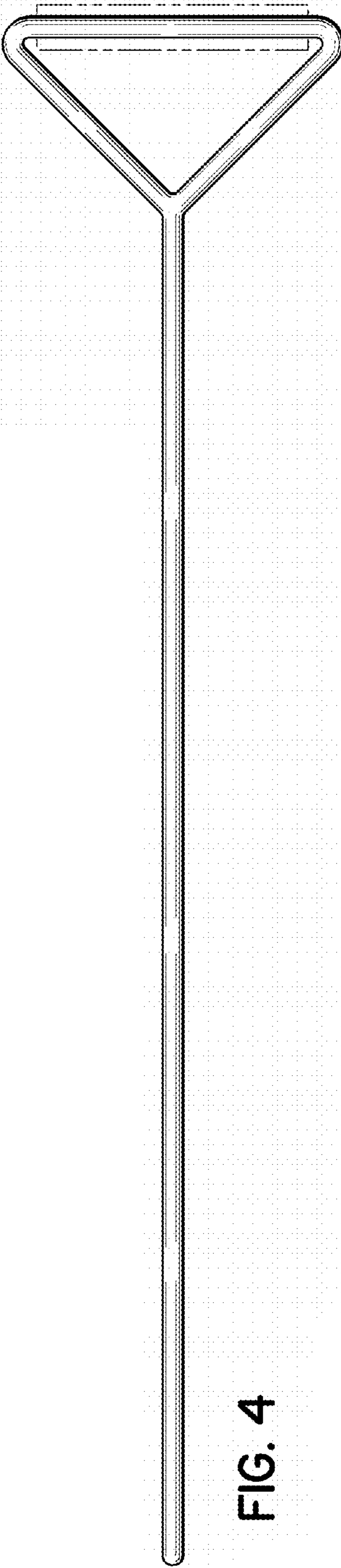


FIG. 4

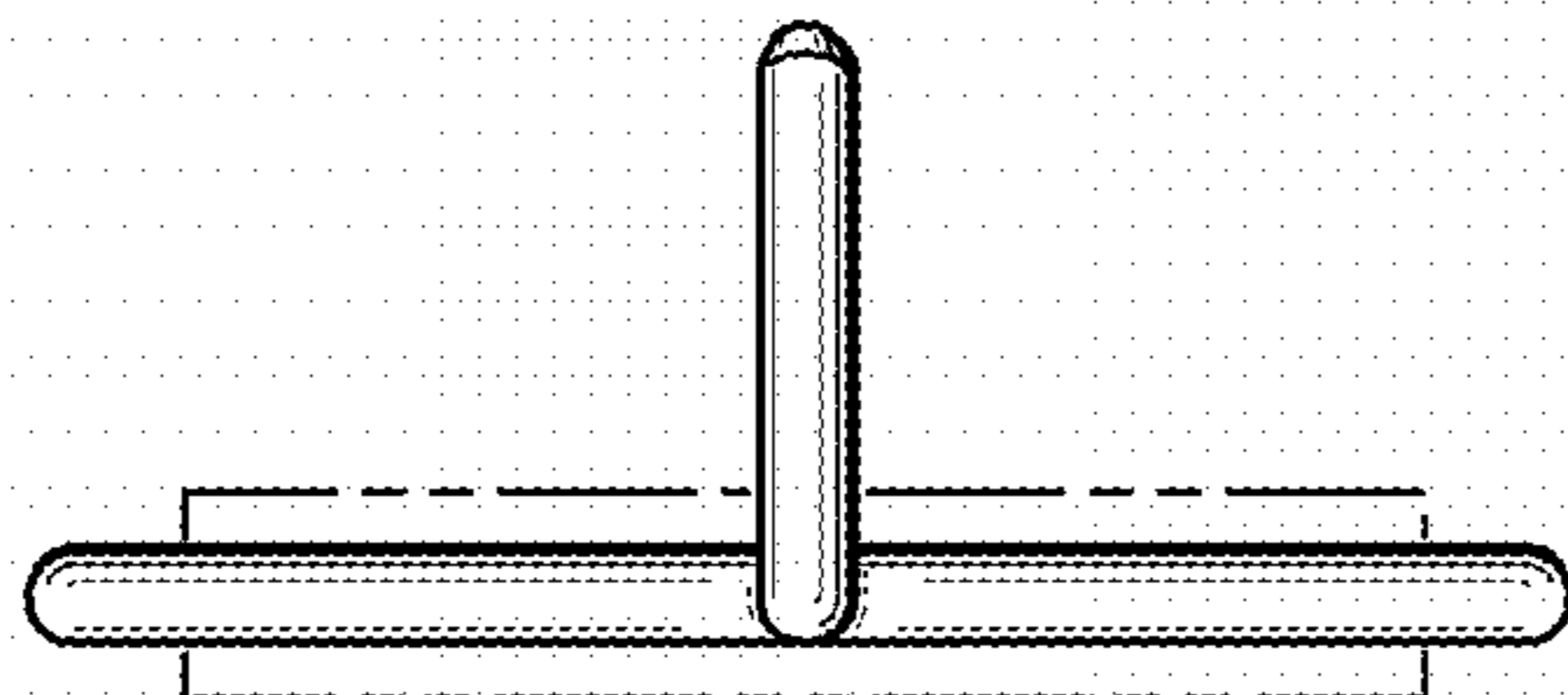


FIG. 5



FIG. 6

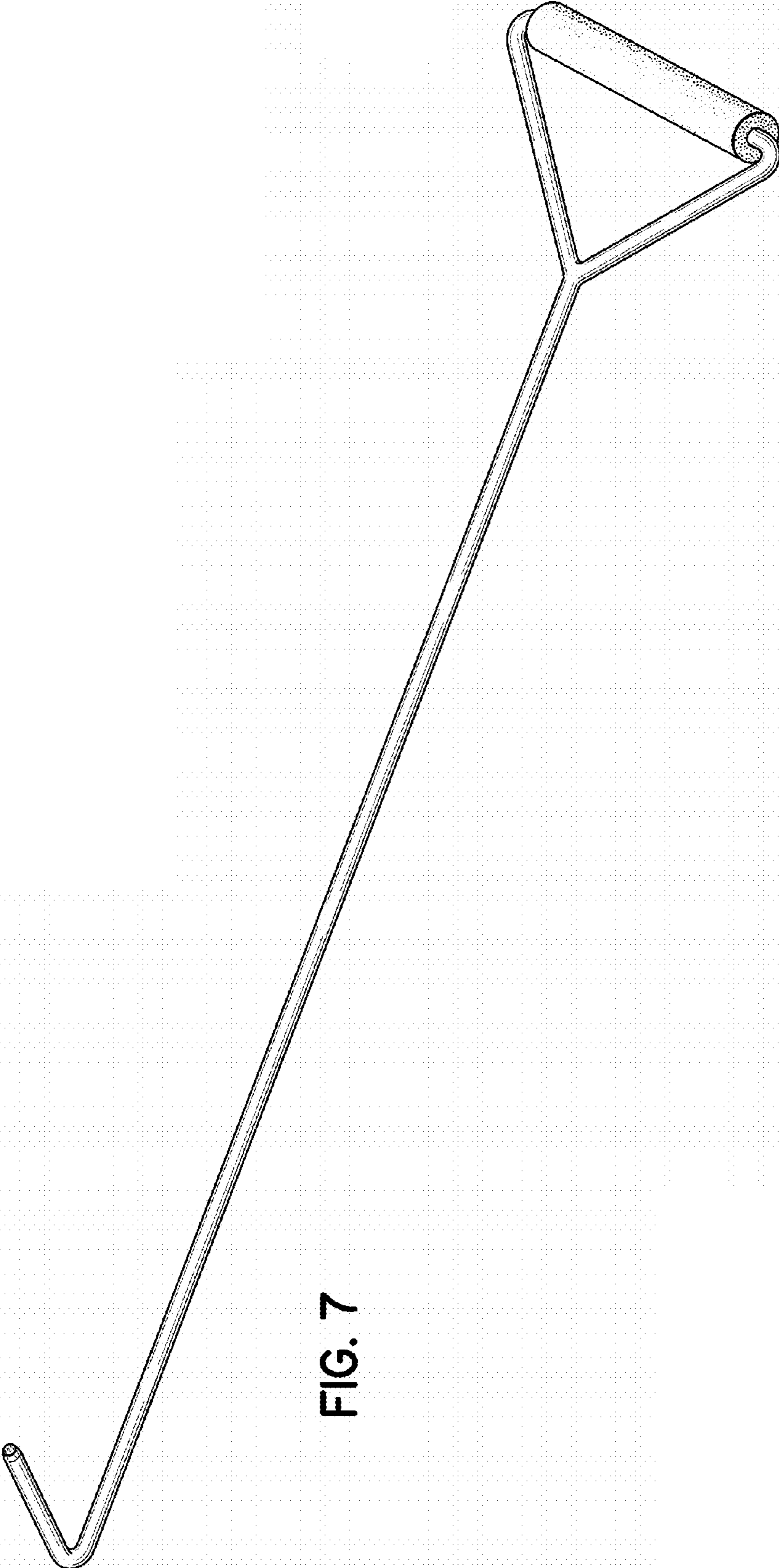


FIG. 7

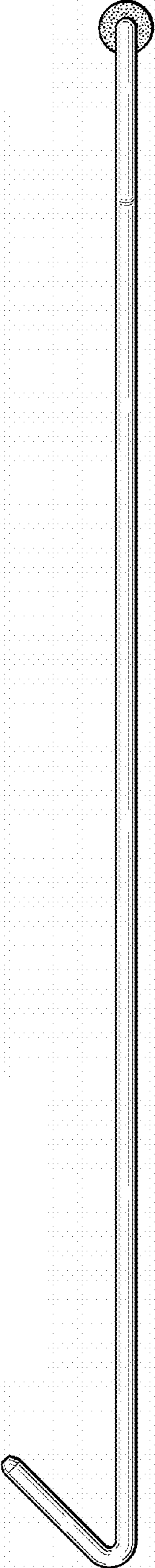


FIG. 8

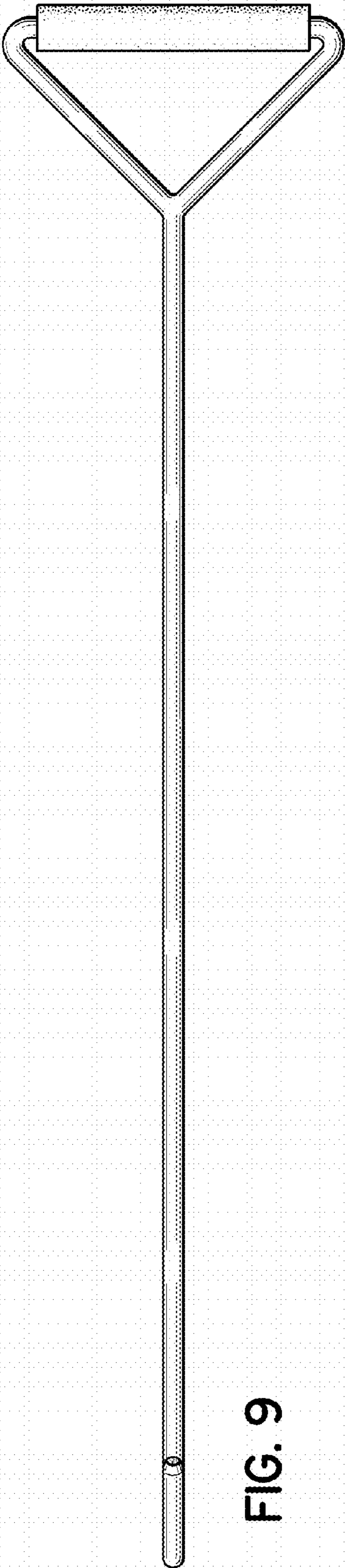


FIG. 9

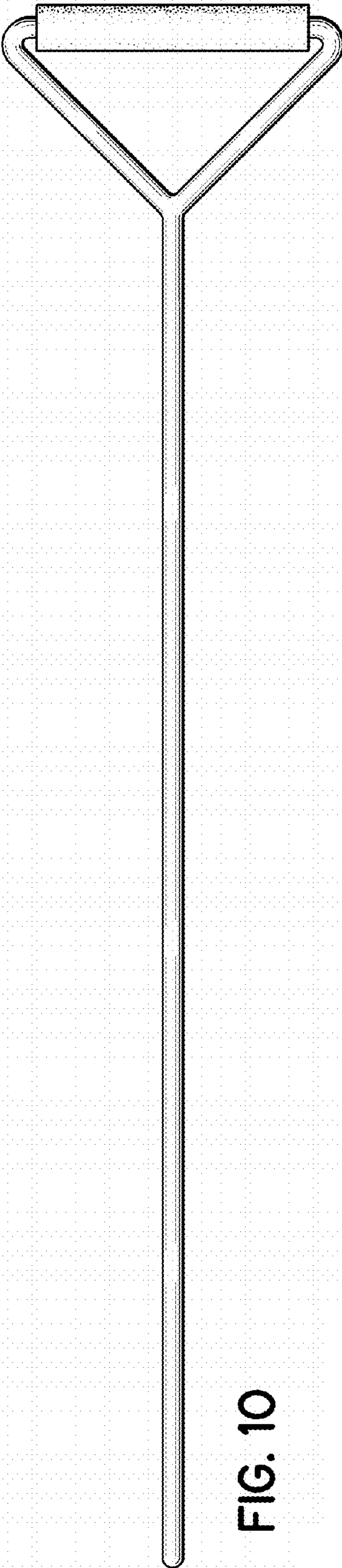


FIG. 10

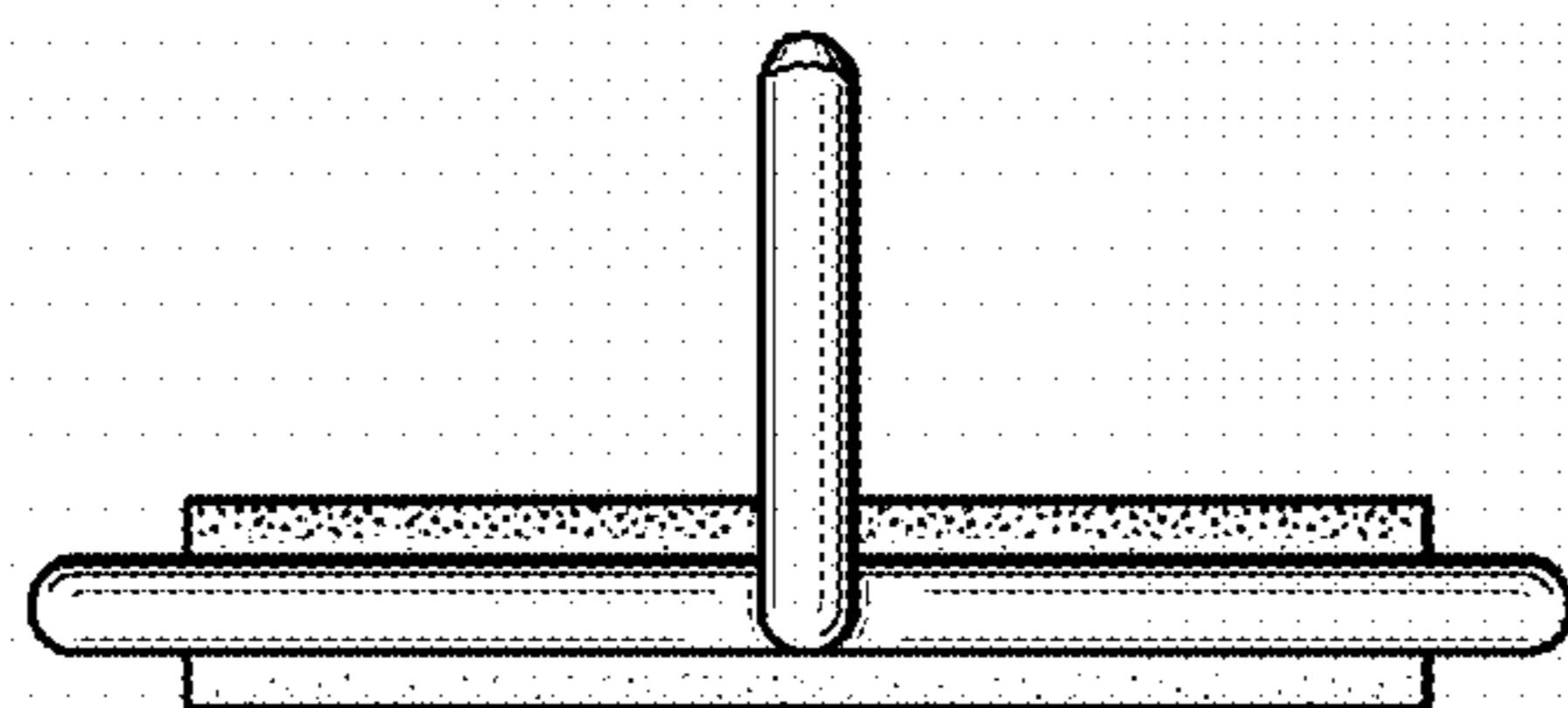


FIG. 12

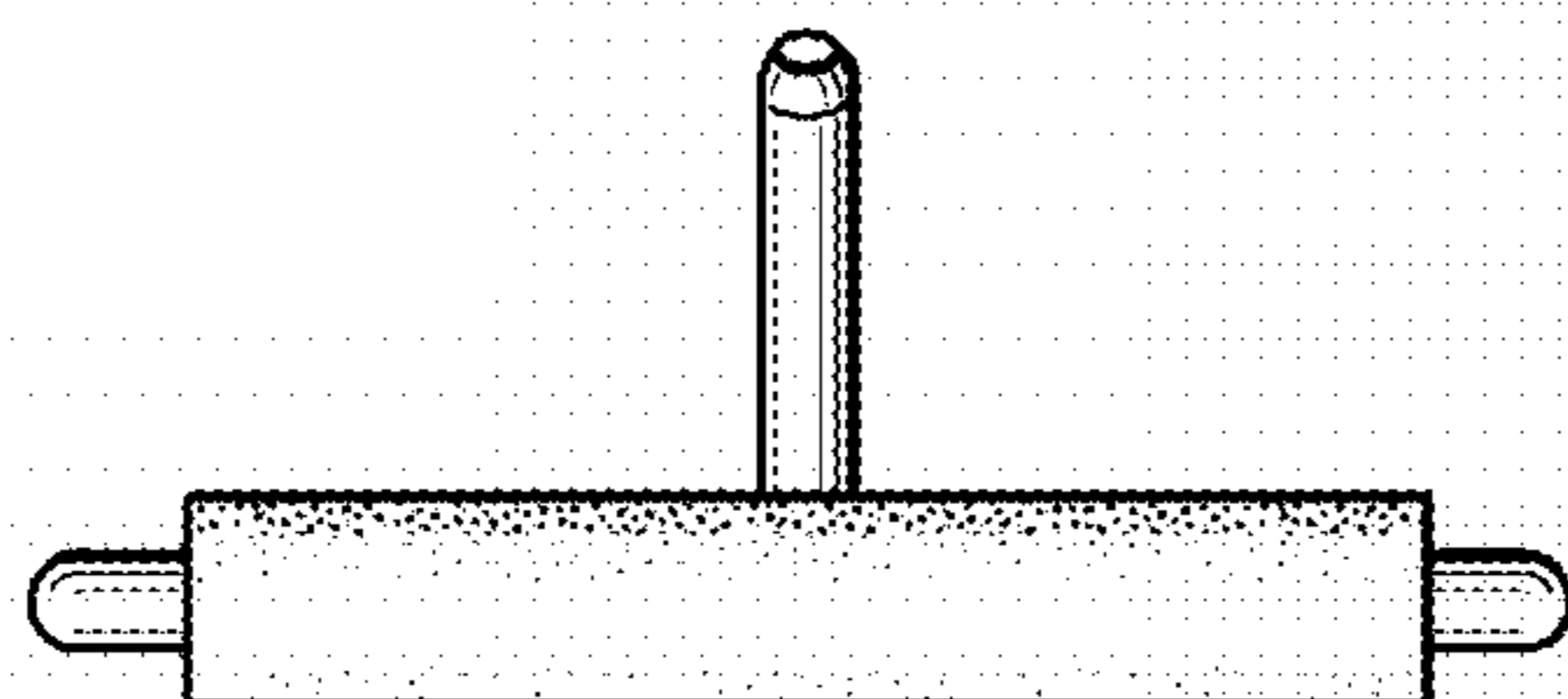


FIG. 11