



US00D698096S

(12) **United States Design Patent**
Paculdo

(10) **Patent No.:** **US D698,096 S**
(45) **Date of Patent:** **** Jan. 21, 2014**

(54) **PET FEEDER**

(71) Applicant: **Worldwise, Inc.**, San Rafael, CA (US)

(72) Inventor: **Sara Paculdo**, Novato, CA (US)

(73) Assignee: **Worldwise, Inc.**, San Rafael, CA (US)

(**) Term: **14 Years**

(21) Appl. No.: **29/468,316**

(22) Filed: **Sep. 27, 2013**

(51) **LOC (10) Cl.** **30-03**

(52) **U.S. Cl.**

USPC **D30/121**

(58) **Field of Classification Search**

USPC D30/199, 160, 155, 118, 121, 122,
D30/128-133; D5/65, 99; D10/104;
D13/168; D11/127, 121, 125;
119/61.5, 51.01, 61.56, 51.03, 59, 62,
119/63, 51.5, 57.8, 74, 61.54, 61.55, 53,
119/53.5, 75, 51.02, 52.3, 57.9, 77, 707,
119/711; D21/656, 576, 577, 584, 585,
D21/590, 595, 362, 363, 350, 360, 334, 347,
D21/338, 340, 339, 343; 273/447

See application file for complete search history.

(56) **References Cited**

U.S. PATENT DOCUMENTS

D25,252 S *	3/1896	Hall	D21/340
D25,449 S *	4/1896	Garland	D21/340
D25,816 S *	7/1896	Jones	D21/340
D26,162 S *	10/1896	Bitter	D21/340
D26,165 S *	10/1896	Schmidt	D21/340
D26,186 S *	10/1896	Schwartz	D21/340
D26,747 S *	3/1897	Simcoe	D21/340
D26,911 S *	4/1897	Reed	D21/340
D27,046 S *	5/1897	Moody	D21/340
D27,119 S *	5/1897	Mahood	D21/340
D28,316 S *	2/1898	Berryman	D21/340

D28,614 S *	5/1898	Clarke	D21/340
D29,196 S *	8/1898	Riley et al.	D21/340
D29,249 S *	8/1898	Harris	D21/340
D30,825 S *	5/1899	Schneider	D21/340
D32,933 S *	7/1900	Feigl	D21/340
D33,099 S *	8/1900	Fritsche	D21/340
D34,556 S *	5/1901	Appleton	D21/340
D35,083 S *	9/1901	Sharp	D21/340
D35,543 S *	12/1901	Vogelsgesang	D21/340
D49,847 S *	11/1916	McKoy	D21/340
D56,150 S *	8/1920	Guerin	D21/340
D58,829 S *	8/1921	Rode	D21/340
D60,450 S *	2/1922	Escobar et al.	D21/340
D68,645 S *	11/1925	Rode	D21/340
D83,140 S *	1/1931	Wolf	D21/340
D92,874 S *	7/1934	Baltzley	D21/340
D106,454 S *	10/1937	Rubino	D21/340
D171,950 S *	4/1954	Moore	D24/194
D187,032 S *	1/1960	Miller	D21/340
3,011,288 A *	12/1961	Einfalt	446/444
D207,853 S *	6/1967	Jaffe	D21/340
D208,642 S *	9/1967	Taylor	D21/340
3,502,335 A *	3/1970	Sholin	473/588

(Continued)

Primary Examiner — Susan Moon Lee

(74) *Attorney, Agent, or Firm* — Bay Area Technology Law Group PC

(57) **CLAIM**

The ornamental design for a pet feeder, as shown and described.

DESCRIPTION

FIG. 1 is a perspective view of a pet feeder showing my new design;

FIG. 2 is a top plan view thereof;

FIG. 3 is a bottom plan view thereof;

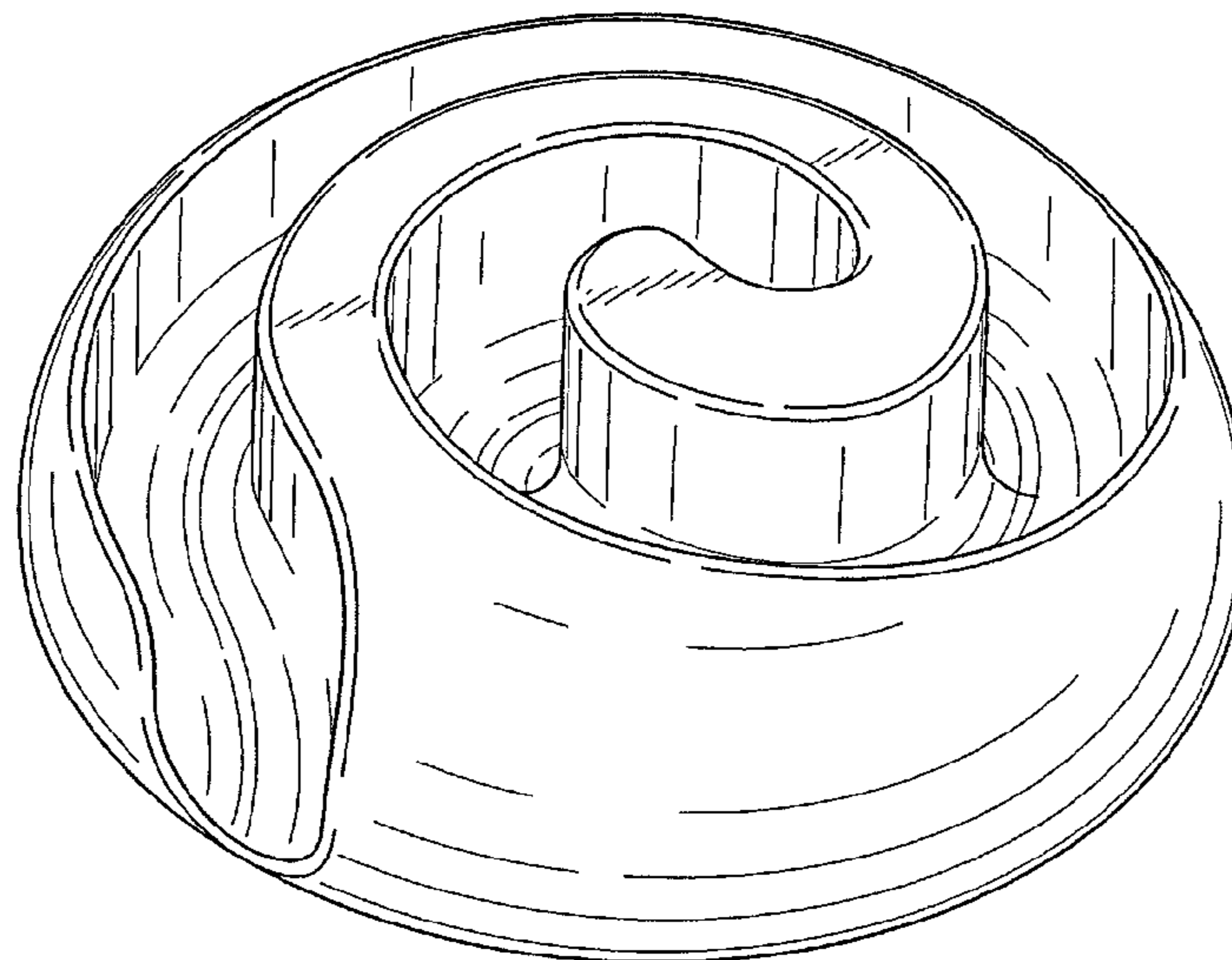
FIG. 4 is a front view thereof;

FIG. 5 is a back view thereof;

FIG. 6 is a left side view thereof; and,

FIG. 7 is a right side view thereof.

1 Claim, 3 Drawing Sheets



(56)

References Cited

U.S. PATENT DOCUMENTS

3,589,060	A *	6/1971	Genin	446/246	D393,110	S *	3/1998	Mauldin, Jr.	D30/160
3,747,930	A *	7/1973	Barlow	273/113	5,809,938	A *	9/1998	Baiera et al.	119/707
3,751,849	A *	8/1973	Goldfarb et al.	446/246	D405,563	S *	2/1999	Baiera et al.	D30/160
3,754,759	A *	8/1973	Breslow et al.	273/440	5,881,679	A *	3/1999	Hann	119/708
3,809,407	A *	5/1974	Quigley	273/241	D412,768	S *	8/1999	Huettner et al.	D30/160
3,844,562	A *	10/1974	Foley et al.	273/110	D416,052	S *	11/1999	Szumer	D21/340
3,954,262	A *	5/1976	Weber	273/447	D423,601	S *	4/2000	Seifert et al.	D21/360
4,036,178	A *	7/1977	Lee et al.	119/51.02	D428,449	S *	7/2000	Christianson	D21/398
D252,165	S *	6/1979	Wolf	D21/360	D429,502	S *	8/2000	Christianson	D21/451
4,251,075	A *	2/1981	Jaworski et al.	273/113	6,290,230	B1 *	9/2001	Anthony	273/447
4,292,756	A *	10/1981	Jaworski et al.	446/246	D453,240	S *	1/2002	Simon	D30/160
D270,258	S *	8/1983	Iwaya et al.	D21/336	D453,400	S *	2/2002	Kaplan	D30/160
D273,314	S *	4/1984	McCoy et al.	D21/694	6,510,817	B2 *	1/2003	Horvath	119/707
4,477,080	A *	10/1984	Baker	273/241	D495,756	S *	9/2004	Carley et al.	D21/405
D286,062	S *	10/1986	Kernea et al.	D21/347	D497,956	S *	11/2004	Breslow et al.	D21/303
4,632,391	A *	12/1986	Orak	482/110	6,945,195	B1 *	9/2005	Morrison	119/707
4,722,299	A *	2/1988	Mohr	119/707	D526,029	S *	8/2006	Ragonetti et al.	D21/444
4,772,240	A *	9/1988	Boskovic	446/170	D535,337	S *	1/2007	Liu	D21/360
4,919,083	A *	4/1990	Axelrod	119/710	D535,704	S *	1/2007	Chow	D21/360
4,946,168	A *	8/1990	Fauls	273/241	D537,119	S *	2/2007	Traub	D19/59
4,986,547	A *	1/1991	Zarnoti	273/241	D560,254	S *	1/2008	Meyer	D21/303
5,009,193	A *	4/1991	Gordon	119/711	7,320,296	B2 *	1/2008	Morrison	119/707
5,041,048	A *	8/1991	Lehmann et al.	446/236	D606,713	S *	12/2009	Kellogg et al.	D30/160
5,069,459	A *	12/1991	Zarnoti	273/241	7,661,394	B2 *	2/2010	Plante	119/707
D335,553	S *	5/1993	Conner	D30/160	D616,616	S *	5/2010	Byrne	D30/160
D335,554	S *	5/1993	Conner	D30/160	7,806,087	B2 *	10/2010	Plante	119/707
5,207,793	A *	5/1993	Brand et al.	273/445	D633,661	S *	3/2011	Kellogg et al.	D30/160
5,269,261	A *	12/1993	McCance	119/706	7,976,355	B2 *	7/2011	McAnulty	446/46
D345,633	S *	3/1994	McCance	D30/160	D656,282	S *	3/2012	Dixon et al.	D30/160
5,310,190	A *	5/1994	Morris	273/243	D660,915	S *	5/2012	Chiu	D21/340
5,342,064	A *	8/1994	Williamson et al.	273/447	D660,916	S *	5/2012	Chiu	D21/340
D359,822	S *	6/1995	McCance	D30/160	D676,203	S *	2/2013	Hansen	D30/199
5,517,948	A *	5/1996	Udelle et al.	119/706	D676,619	S *	2/2013	Hansen	D30/199
5,529,017	A *	6/1996	Udelle et al.	119/707	8,418,657	B2 *	4/2013	Dixon et al.	119/711
5,540,187	A *	7/1996	Udelle et al.	119/706	D693,972	S *	11/2013	Price et al.	D30/160
5,544,623	A *	8/1996	Udelle et al.	119/706	2002/0174839	A1 *	11/2002	Horvath	119/707
5,572,955	A *	11/1996	Boshears	119/706	2006/0091604	A1 *	5/2006	Sargent	273/241
5,579,725	A *	12/1996	Boshears	119/706	2007/0126185	A1 *	6/2007	Fukuzawa et al.	273/447
					2009/0095229	A1 *	4/2009	Plante	119/707
					2011/0260408	A1 *	10/2011	Ritter et al.	273/447

* cited by examiner

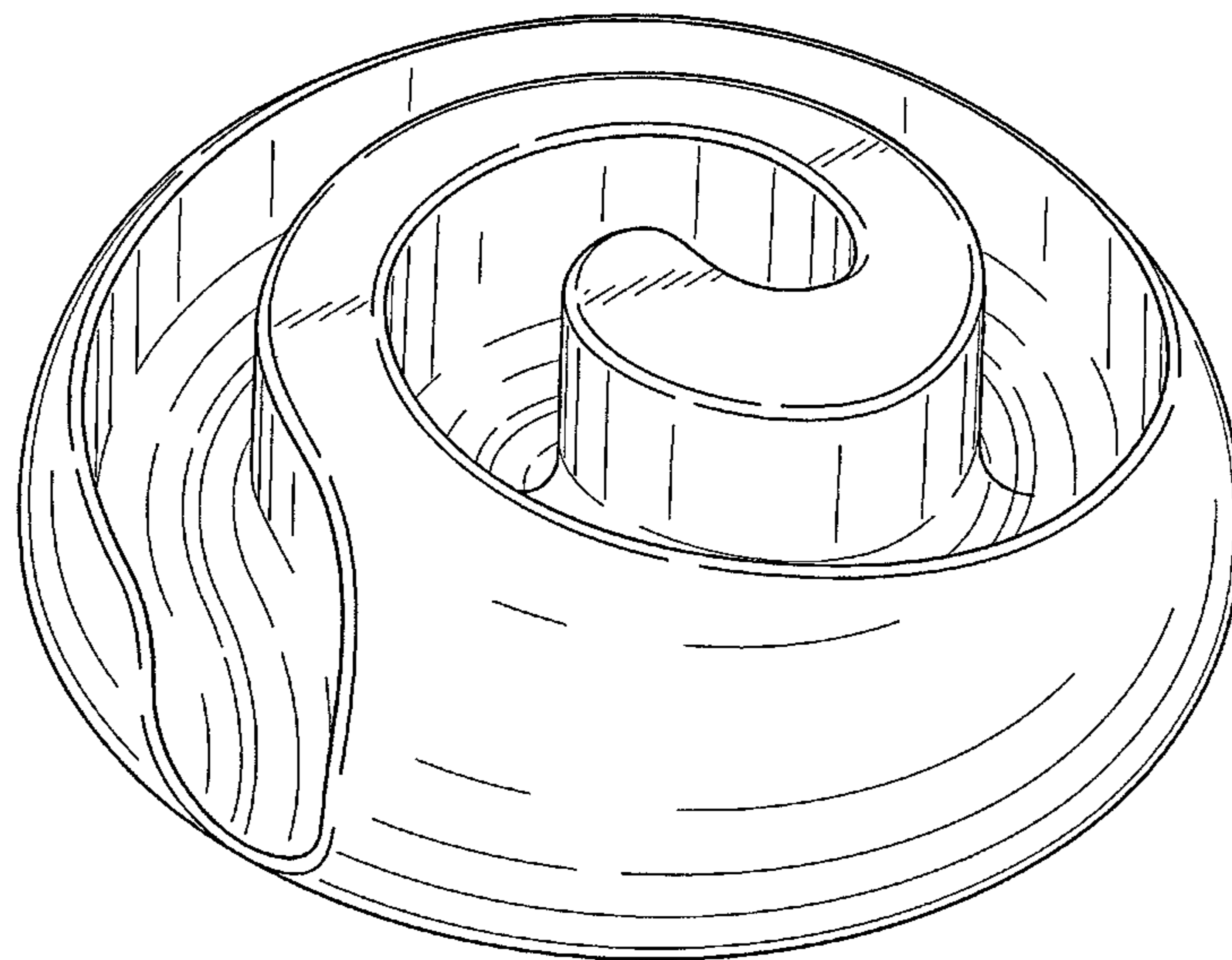


FIG. 1

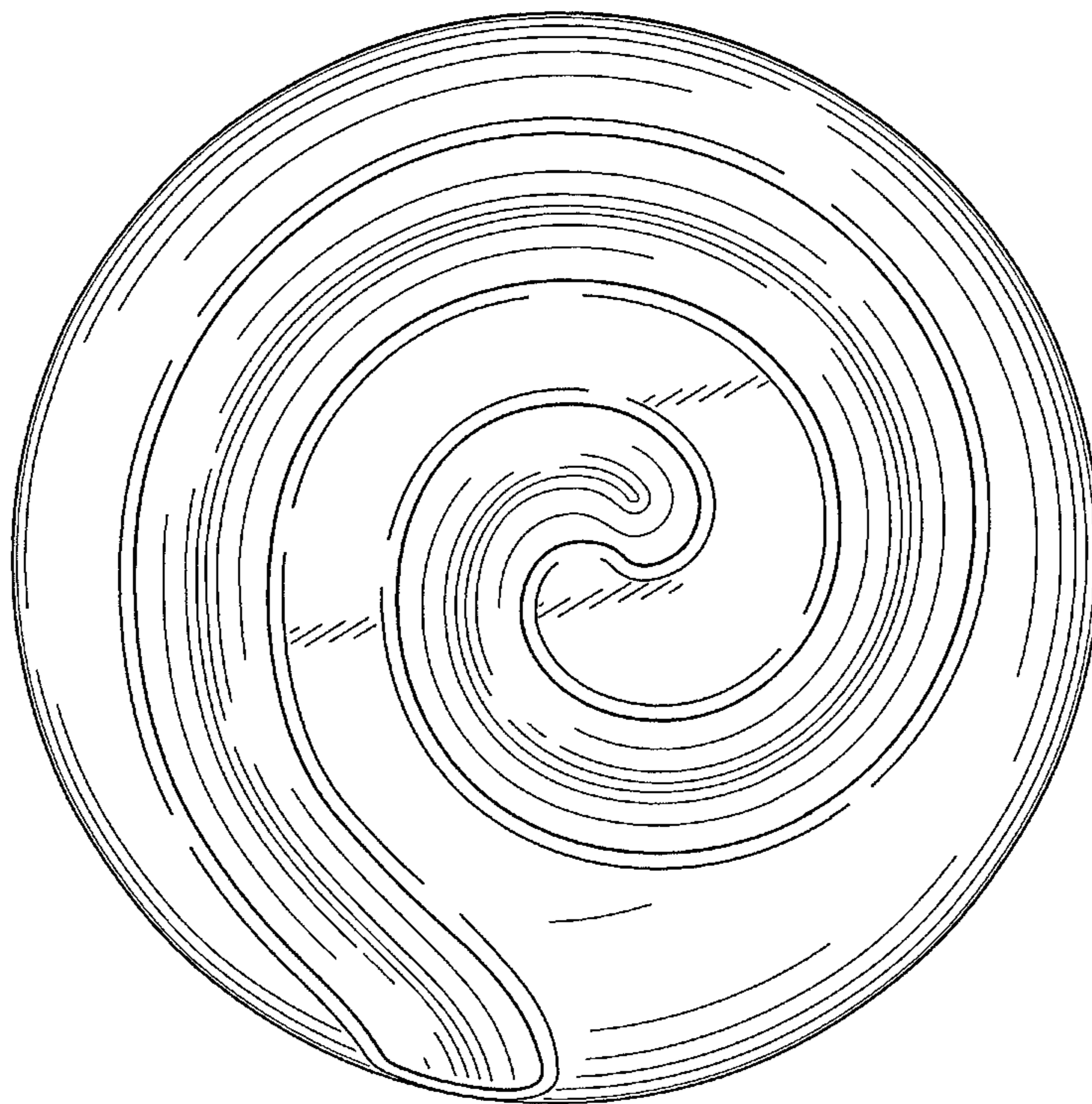


FIG. 2

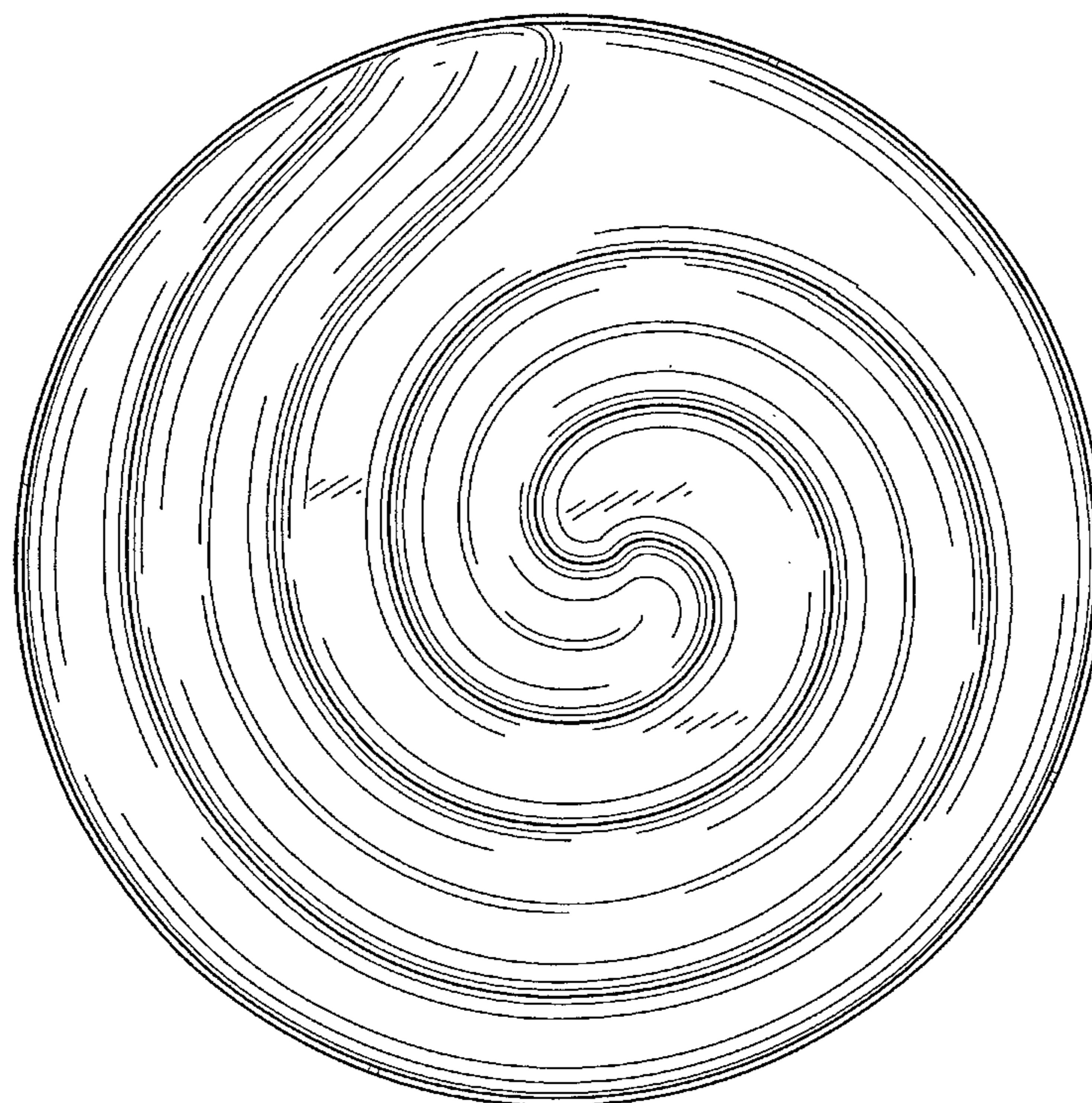


FIG. 3

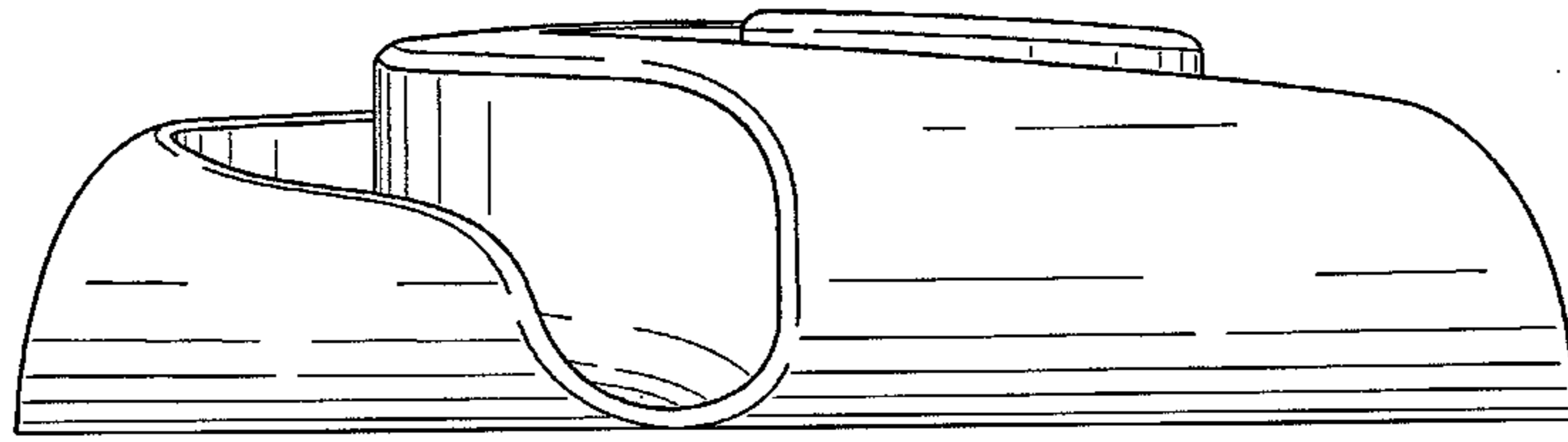


FIG. 4

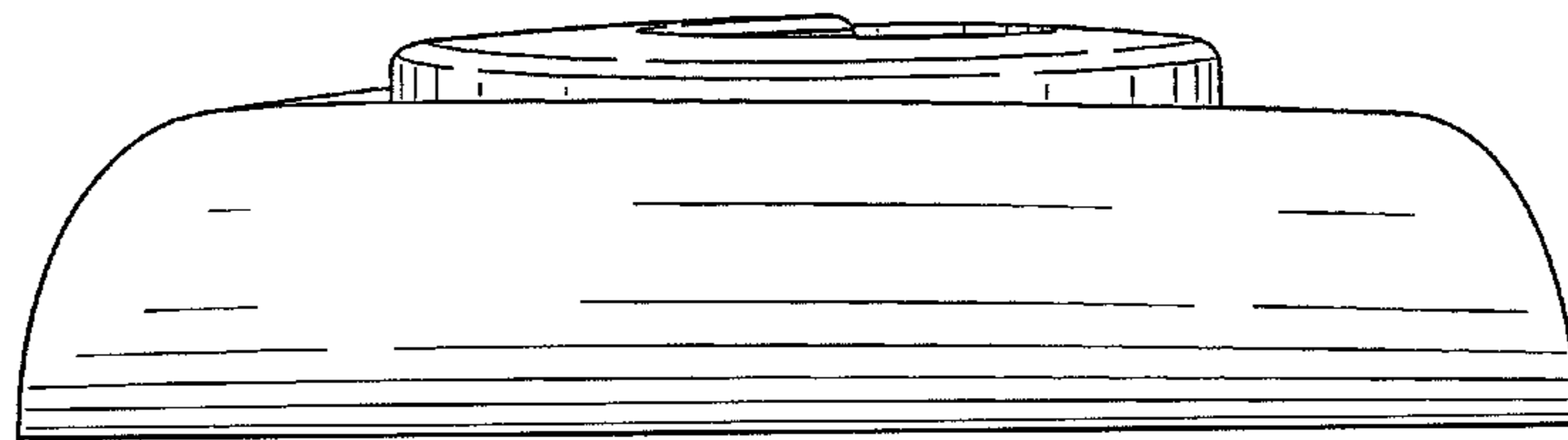


FIG. 5

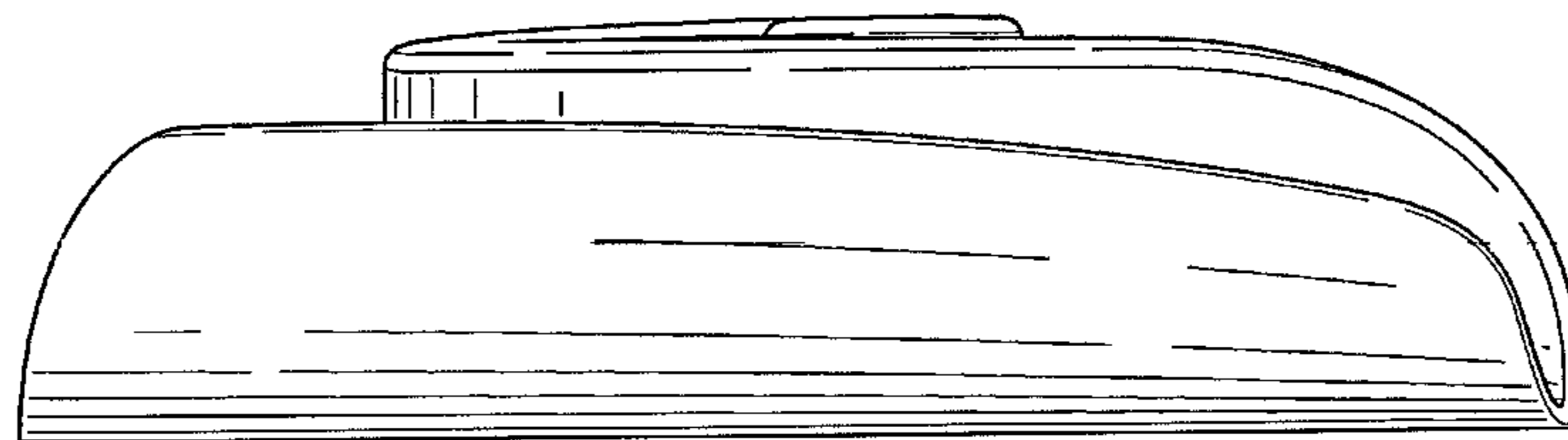


FIG. 6

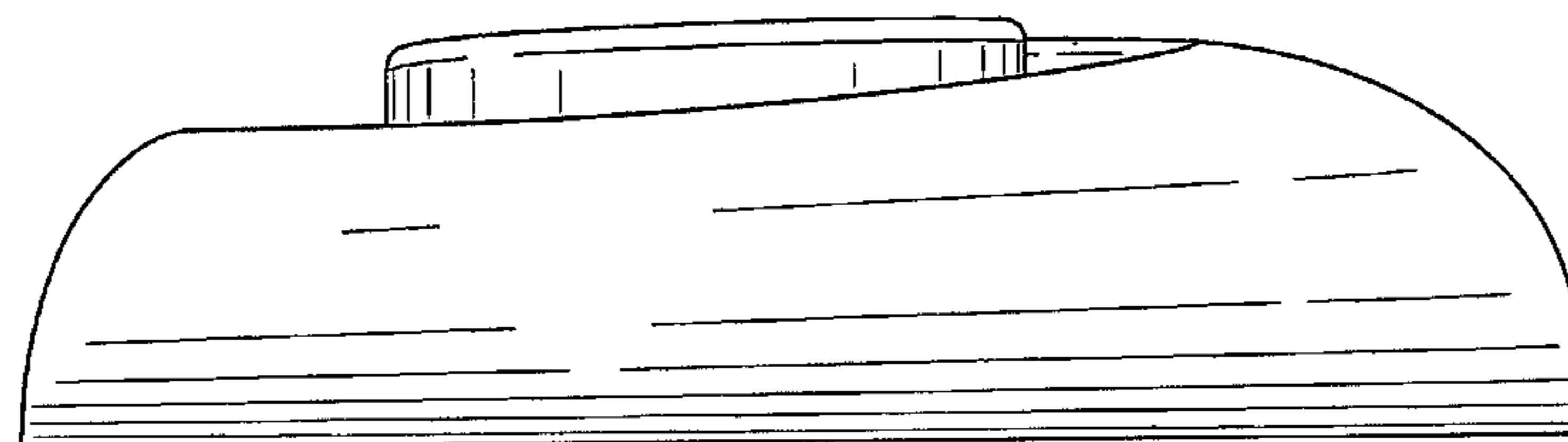


FIG. 7