



US00D698093S

(12) **United States Design Patent**
Monacelli et al.

(10) **Patent No.:** **US D698,093 S**
(45) **Date of Patent:** **** Jan. 21, 2014**

(54) **CHICKEN FEEDING DEVICE**

(76) Inventors: **Mario Monacelli**, Carefree, AZ (US);
Christina Monacelli, Carefree, AZ (US)

(**) Term: **14 Years**

(21) Appl. No.: **29/430,128**

(22) Filed: **Aug. 21, 2012**

(51) **LOC (10) Cl.** **30-03**

(52) **U.S. Cl.**
USPC **D30/121; D30/131**

(58) **Field of Classification Search**
USPC D30/121, 127, 124, 133, 199, 119;
119/51.03, 464, 72.5, 77, 57.8, 55,
119/710, 52.3, 54, 56.1, 53, 52.1, 58, 51.01,
119/76, 72; 242/598.5; 224/414.926;
D12/411; D7/620; D6/553, 450;
D8/395, 396; 248/311.2, 313, 316.5,
248/108, 302, 311.3

See application file for complete search history.

(56) **References Cited**

U.S. PATENT DOCUMENTS

626,328	A *	6/1899	Kroscher et al.	273/338
919,173	A *	4/1909	Hurff	211/125
1,751,388	A *	3/1930	Bircher	119/51.03
2,306,898	A *	12/1942	Palmer	273/336
D154,318	S *	6/1949	Price et al.	D7/676
2,776,634	A *	1/1957	Morton	111/92
3,175,536	A *	3/1965	St Hilaire	119/51.03
3,537,429	A *	11/1970	Regan	119/51.03
3,780,978	A *	12/1973	Proul	249/135
D231,890	S *	6/1974	Kritkauskys	D7/683
4,180,266	A *	12/1979	Morin et al.	273/338
4,184,450	A *	1/1980	Atchley et al.	119/51.03
D257,745	S *	12/1980	Abraham	D21/304

4,632,062	A *	12/1986	Hubbard	119/51.03
D321,959	S *	11/1991	Cole et al.	D30/121
D322,335	S *	12/1991	Carpenter	D30/121
D330,612	S *	10/1992	Leach	D30/121
D337,861	S *	7/1993	Ross	D30/121
D423,730	S *	4/2000	Knauff	D30/121
6,117,467	A *	9/2000	Huling	426/281
D505,827	S *	6/2005	Riddle, III	D7/360
D513,930	S *	1/2006	Novi	D7/409
7,063,609	B1 *	6/2006	Joseph	452/5
D661,156	S *	6/2012	Gurris	D7/354
2010/0176554	A1 *	7/2010	Godwin	273/338
2011/0278796	A1 *	11/2011	Baculy	273/336

* cited by examiner

Primary Examiner — Susan Moon Lee

(74) *Attorney, Agent, or Firm* — Ballard Spahr LLP

(57) **CLAIM**

The ornamental design for a chicken feeding device, as shown and described.

DESCRIPTION

FIG. 1 is a perspective view of a chicken feeding device of the present invention;

FIG. 2 is a top plan view of the chicken feeding device of FIG. 1;

FIG. 3 is a bottom plan view of the chicken feeding device of FIG. 1;

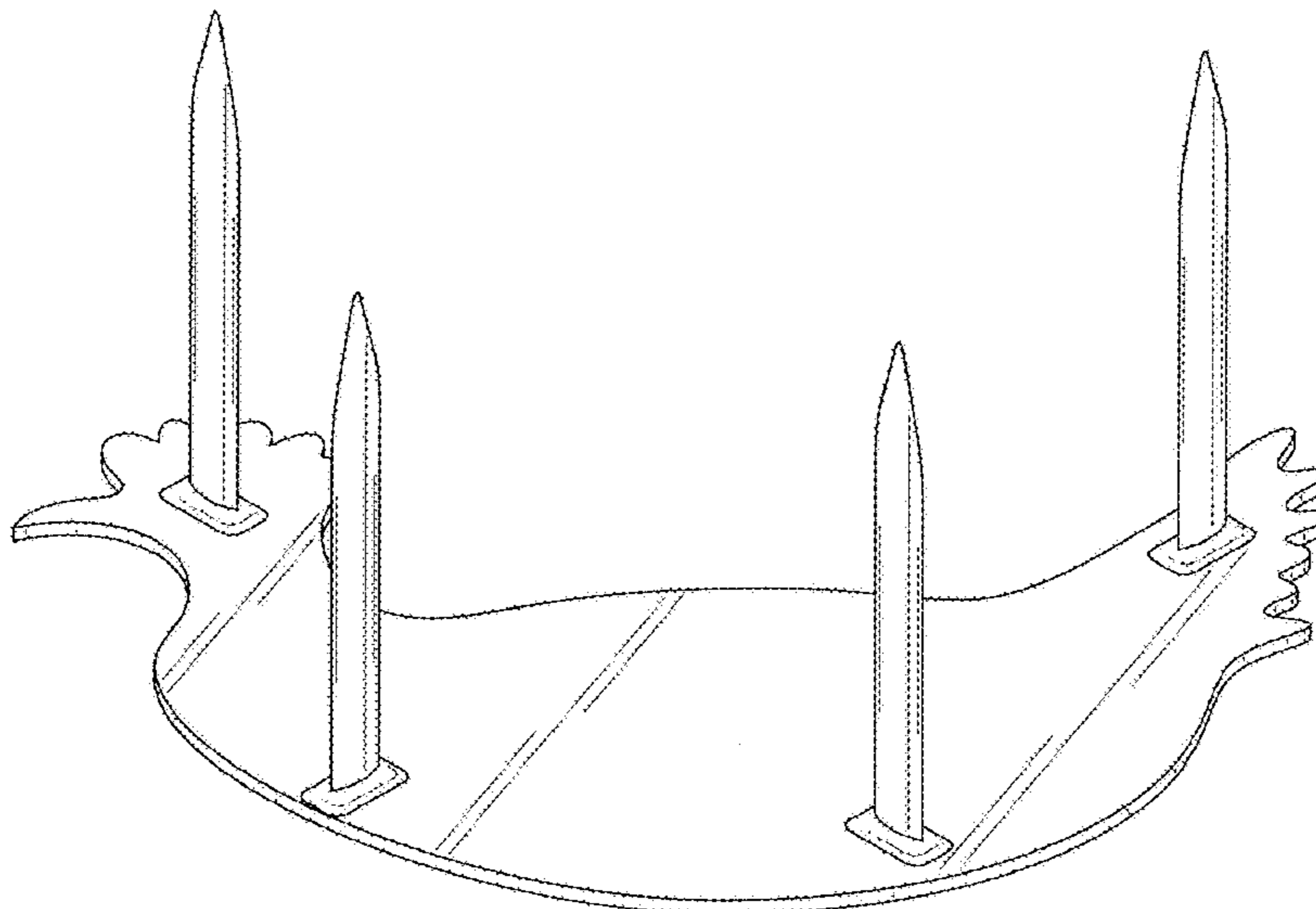
FIG. 4 is a left side elevational view of the chicken feeding device of FIG. 1;

FIG. 5 is a right side elevational view of the chicken feeding device of FIG. 1;

FIG. 6 is a rear elevational view of the chicken feeding device of FIG. 1; and,

FIG. 7 is a front elevational view of the chicken feeding device of FIG. 1.

1 Claim, 7 Drawing Sheets



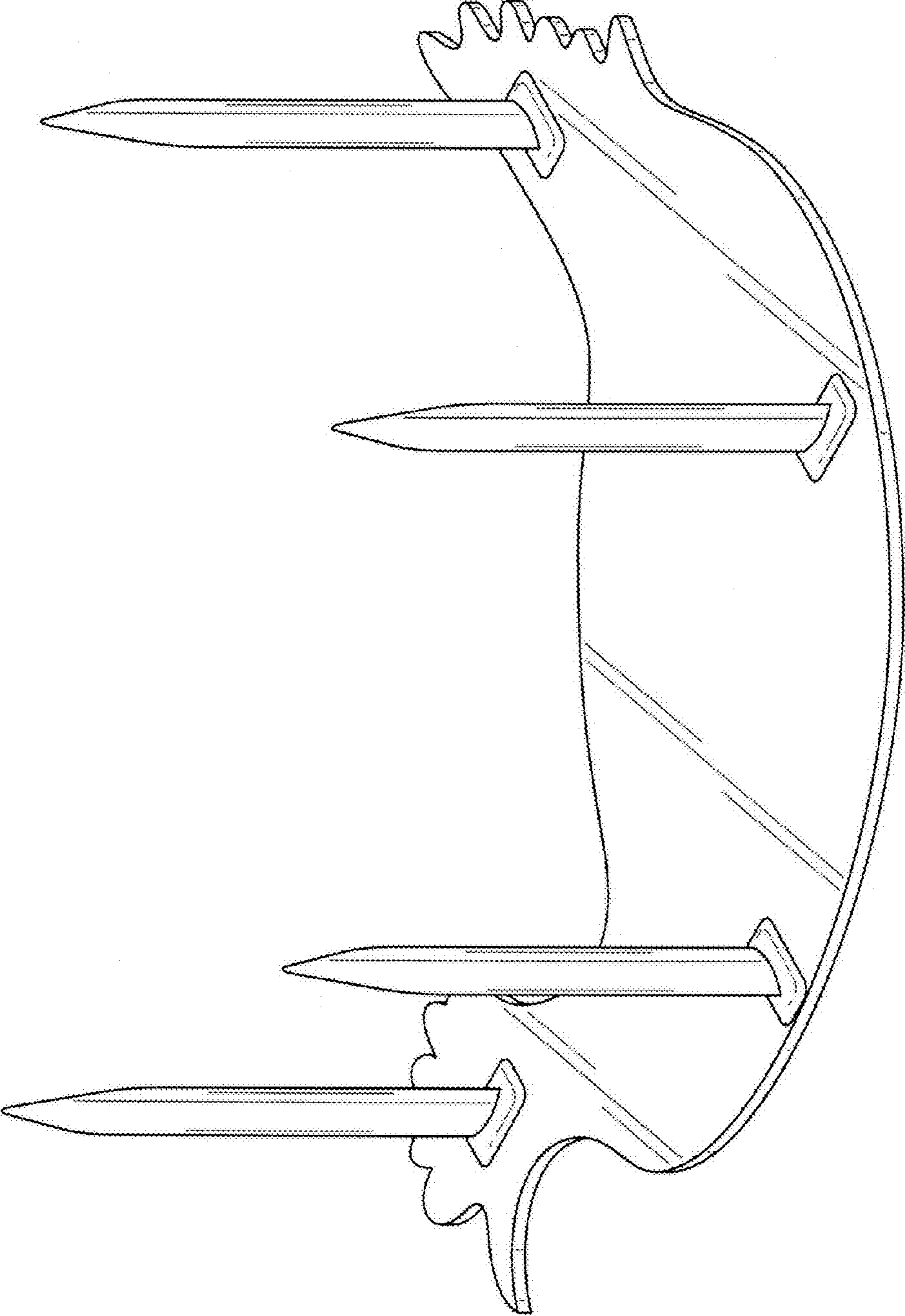


FIG. 1

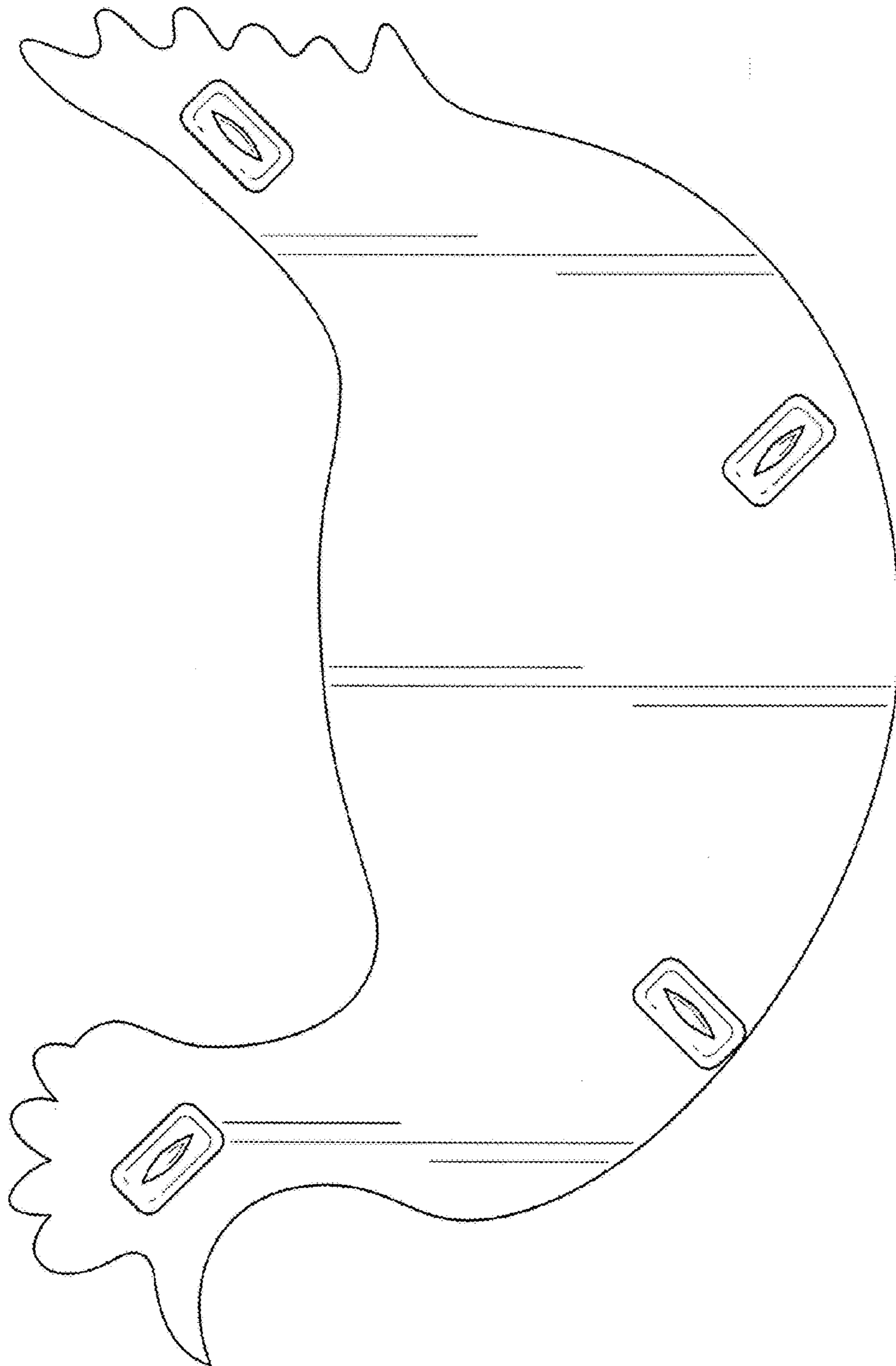


FIG. 2

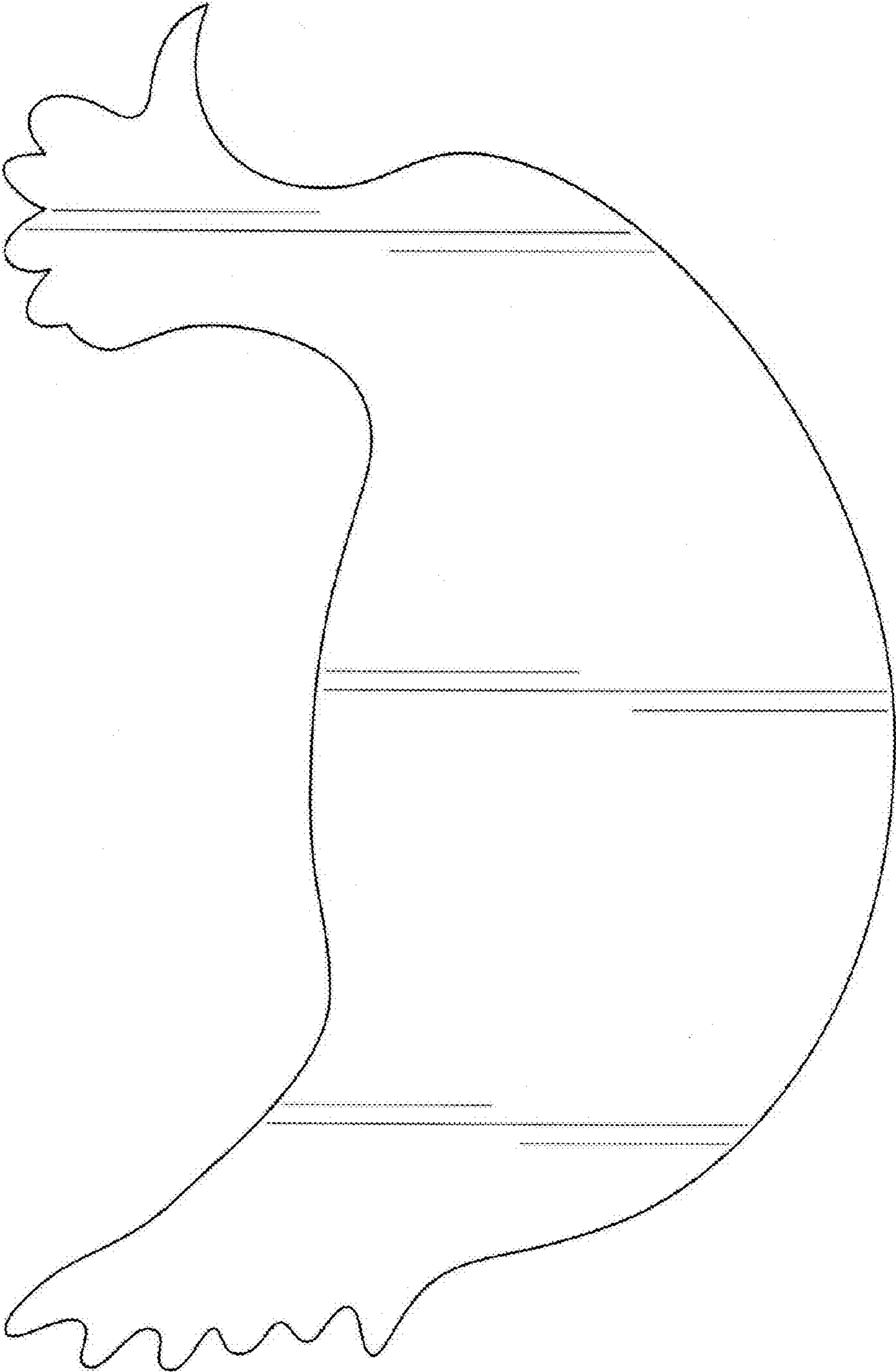


FIG. 3

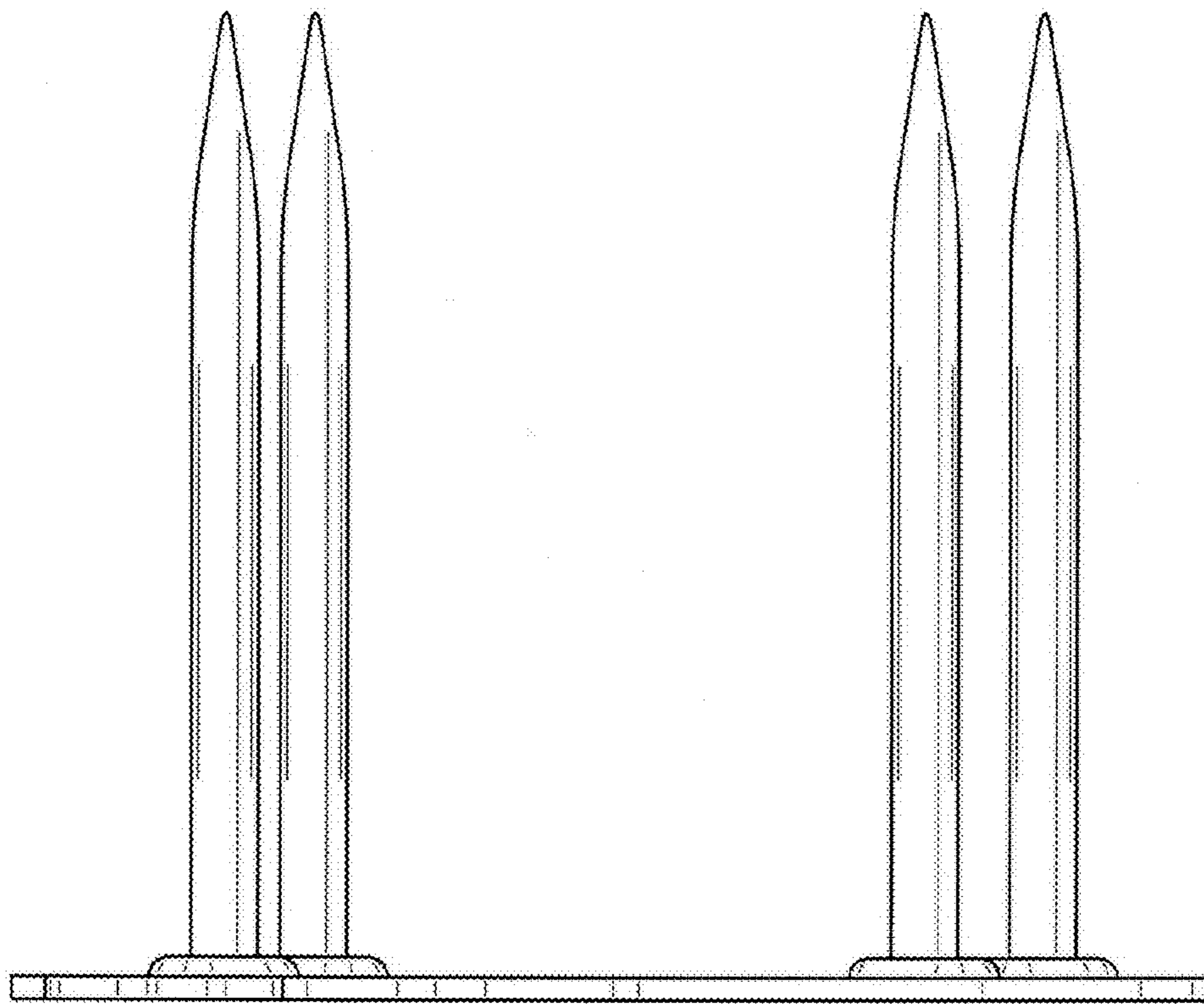


FIG. 4

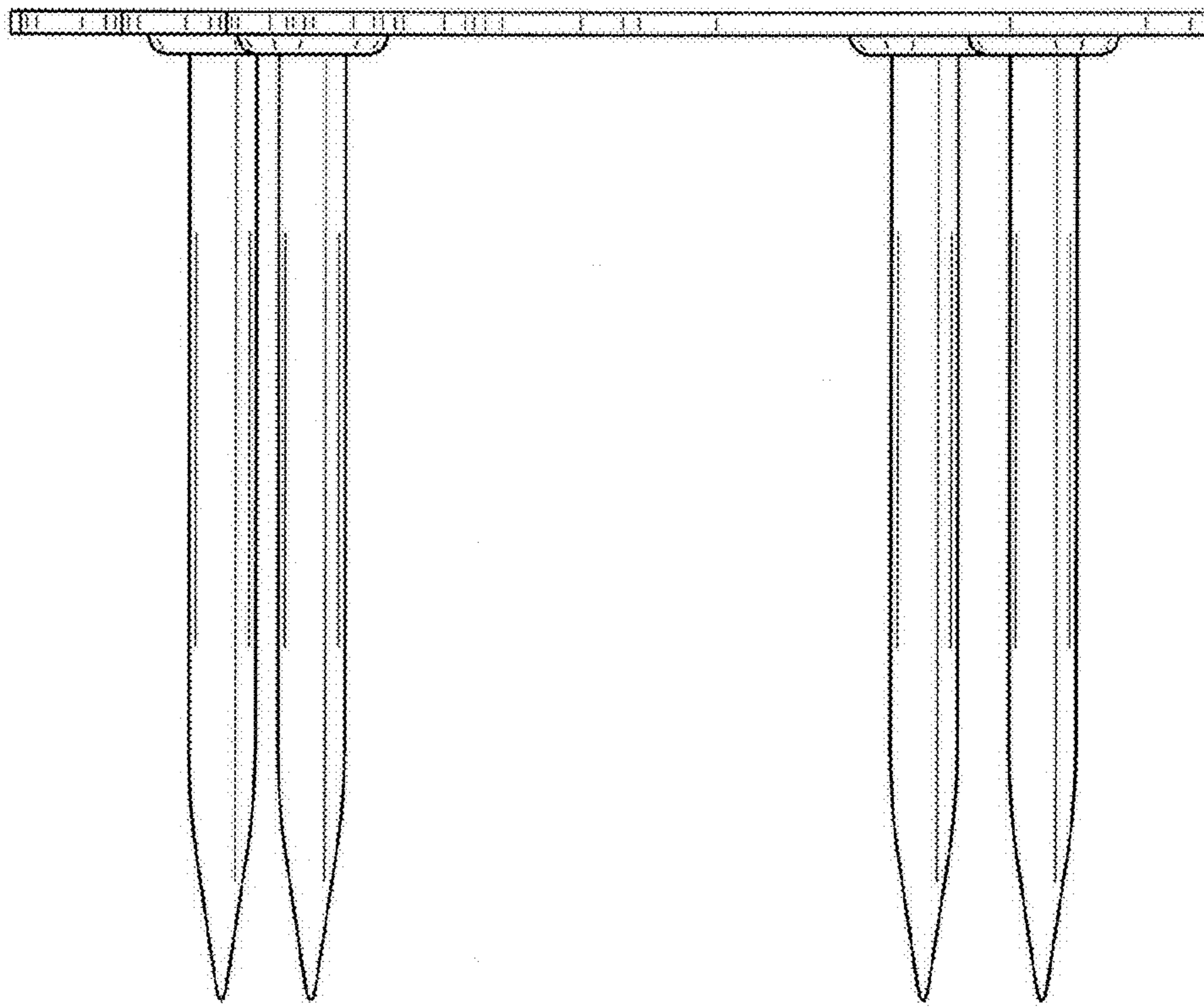


FIG. 5

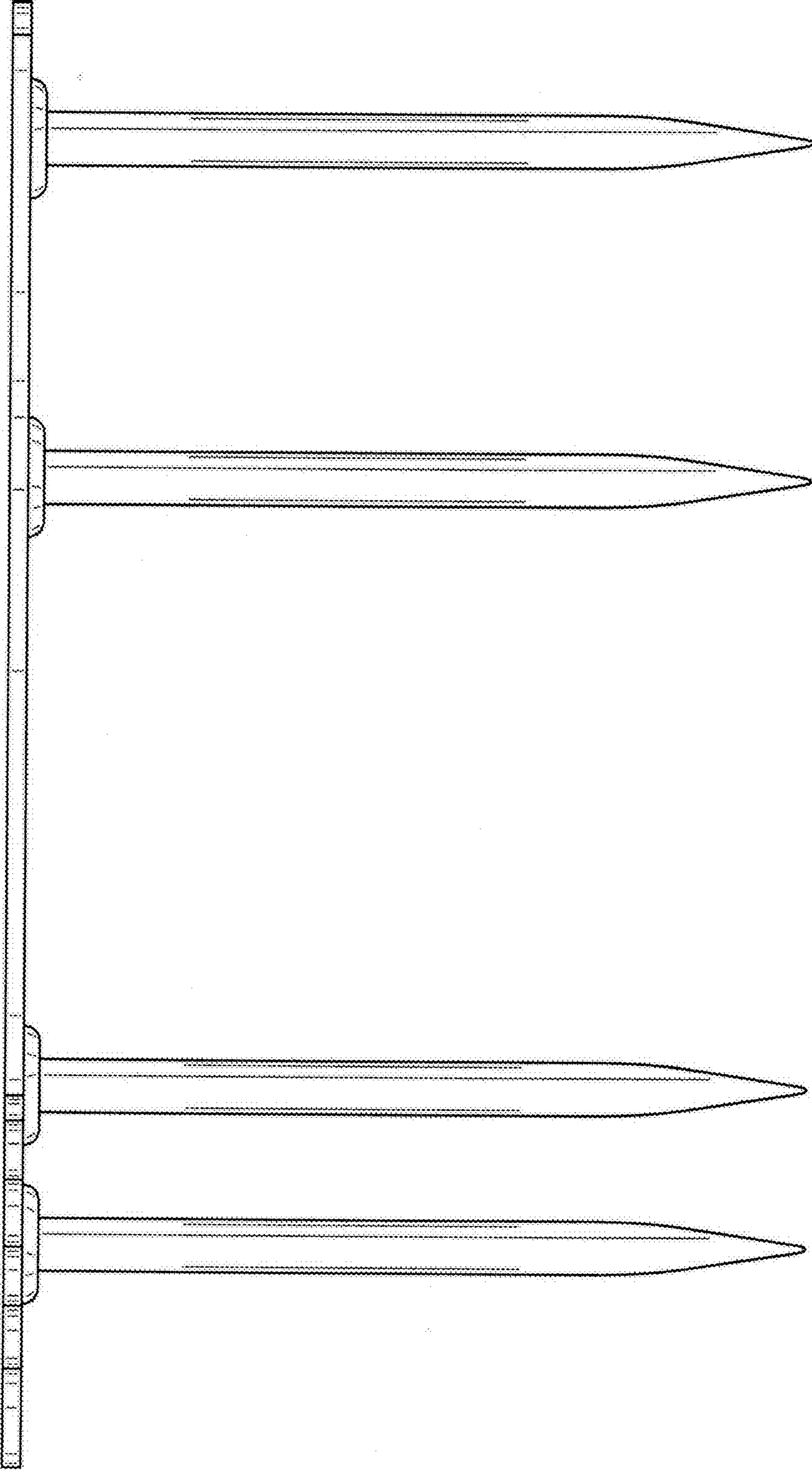


FIG. 6

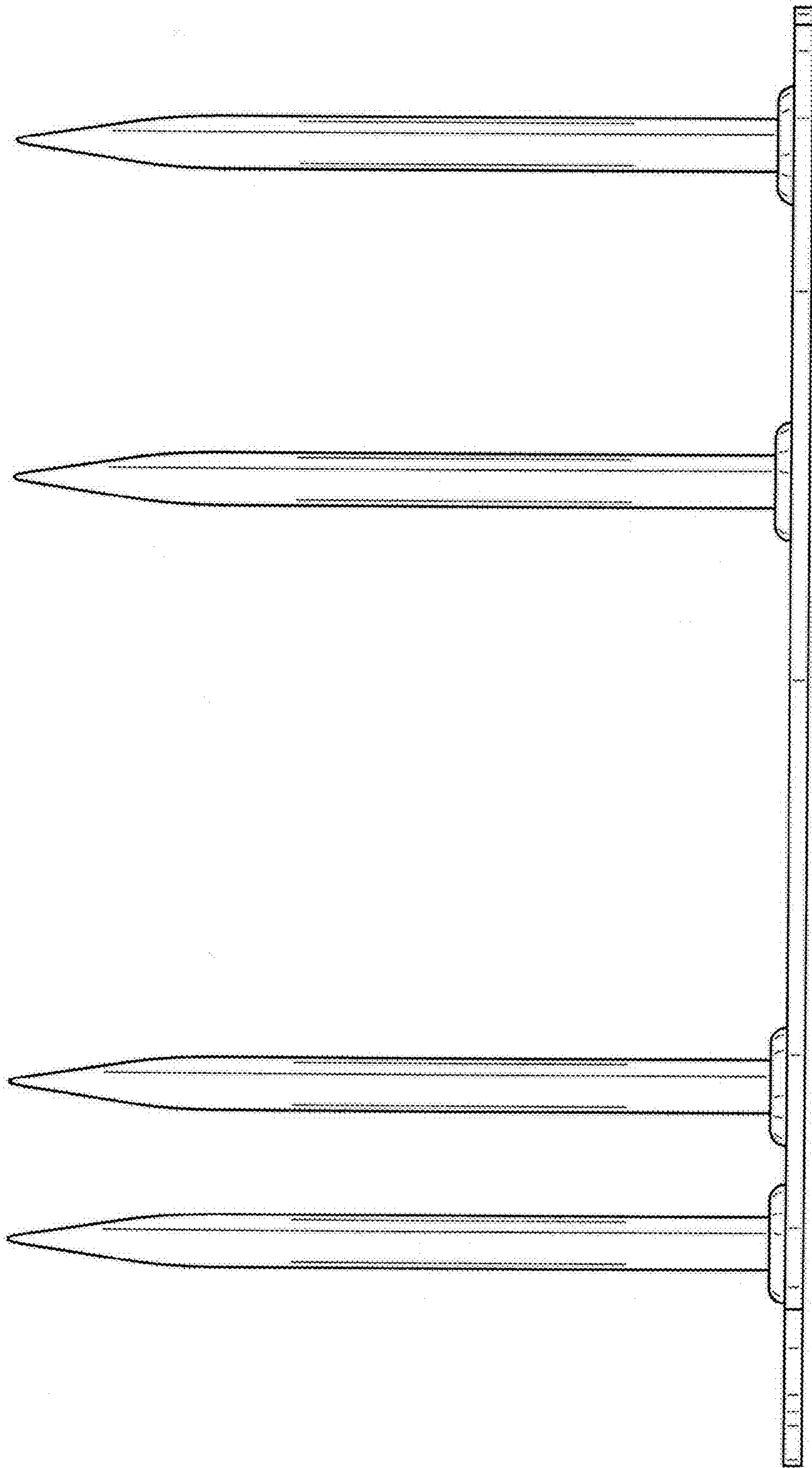


FIG. 7