



US00D698089S

(12) **United States Design Patent**  
**Smith**

(10) **Patent No.:** **US D698,089 S**  
(45) **Date of Patent:** **\*\* Jan. 21, 2014**

- (54) **LIP BALM TUBE HOLDER**
- (71) Applicant: **Kevin Smith**, Rocky Mount, VA (US)
- (72) Inventor: **Kevin Smith**, Rocky Mount, VA (US)
- (73) Assignee: **CatchPromo LLC**, Daleville, VA (US)
- (\*\*) Term: **14 Years**
- (21) Appl. No.: **29/434,296**
- (22) Filed: **Oct. 11, 2012**
- (51) **LOC (10) Cl.** ..... **28-03**
- (52) **U.S. Cl.**  
USPC ..... **D28/76; D22/116**
- (58) **Field of Classification Search**  
USPC ..... 206/385, 823, 581; D28/76, 85-90, 7;  
132/317, 218; 401/68-79, 126-130,  
401/202; D7/509-511, 514-515, 523-532,  
D7/537; D22/115, 116; 102/461, 448-451;  
D9/680  
See application file for complete search history.

8,336,459	B1 *	12/2012	Gould	.....	102/336
2005/0056184	A1 *	3/2005	Dunnam et al.	.....	102/458
2009/0090235	A1 *	4/2009	Brunn	.....	86/18
2011/0017090	A1 *	1/2011	Menefee, III	.....	102/448
2011/0107935	A1 *	5/2011	Authement, Sr.	.....	102/458
2012/0282007	A1 *	11/2012	Moskow et al.	.....	401/89

\* cited by examiner

*Primary Examiner* — Jennifer Rivard  
(74) *Attorney, Agent, or Firm* — Rhodes IP PLC;  
Christopher R Rhodes

(57) **CLAIM**  
The ornamental design for a lip balm tube holder, as shown and described.

**DESCRIPTION**

FIG. 1 is an environmental perspective view of the lip balm tube holder showing the new design;  
FIG. 2 is a side view of the lip balm tube holder showing the new design;  
FIG. 3 is a top view of the lip balm tube holder showing the new design; and,  
FIG. 4 is a bottom view of the lip balm tube holder showing the new design.  
The broken lines immediately adjacent the shading lines in FIGS. 1 and 3 represent the bounds of the claim. The broken lines in FIG. 4 illustrate portions of the article. The broken line disclosure of the lip balm represents the environment of the article. None of the broken lines forms part of the claimed design.

**1 Claim, 2 Drawing Sheets**

- (56) **References Cited**  
U.S. PATENT DOCUMENTS  
4,574,701 A \* 3/1986 Fiocchi ..... 102/451  
D298,471 S \* 11/1988 Kingsford ..... D28/85  
D482,605 S \* 11/2003 Souther ..... D9/727  
D641,640 S \* 7/2011 Kraff ..... D9/680  
D652,477 S \* 1/2012 Klement ..... D22/115

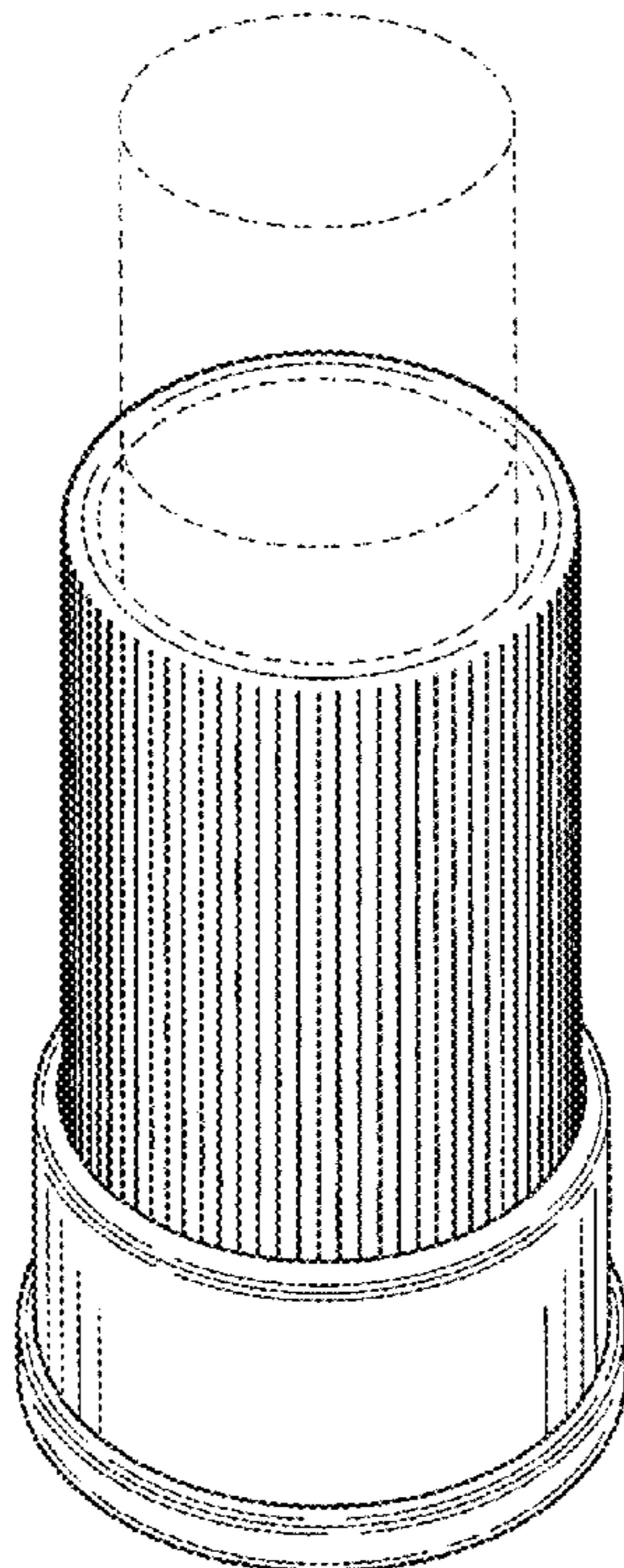


FIG. 1

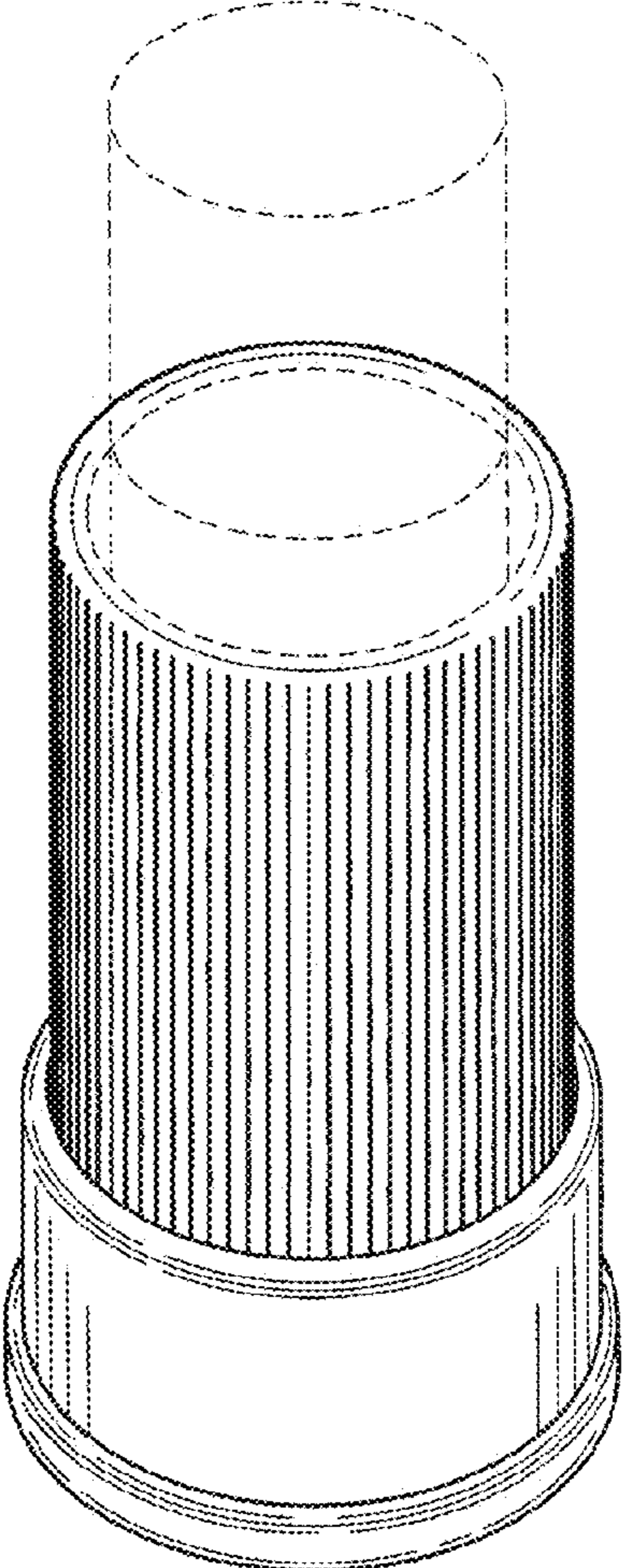


FIG. 2

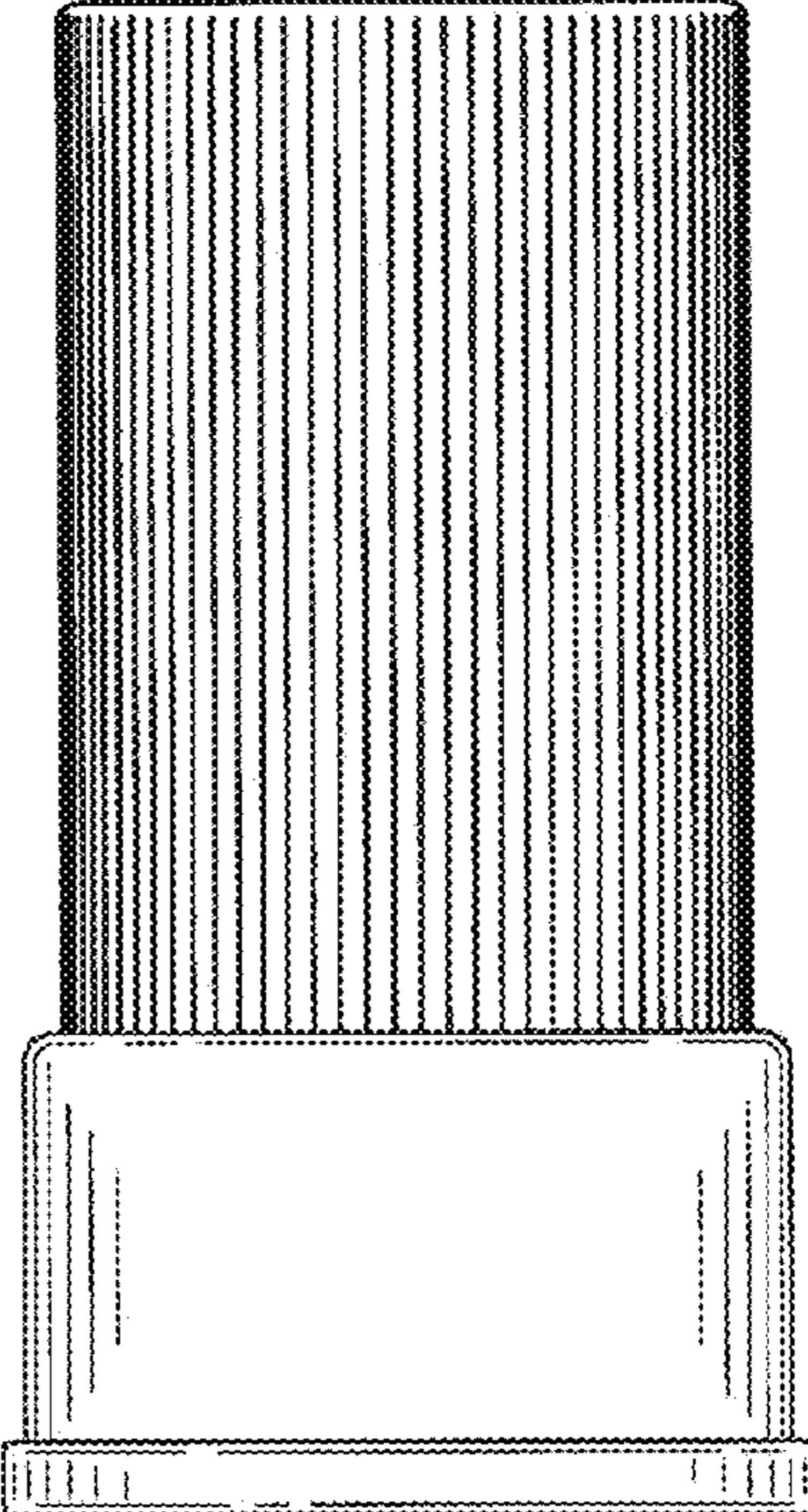


FIG. 3

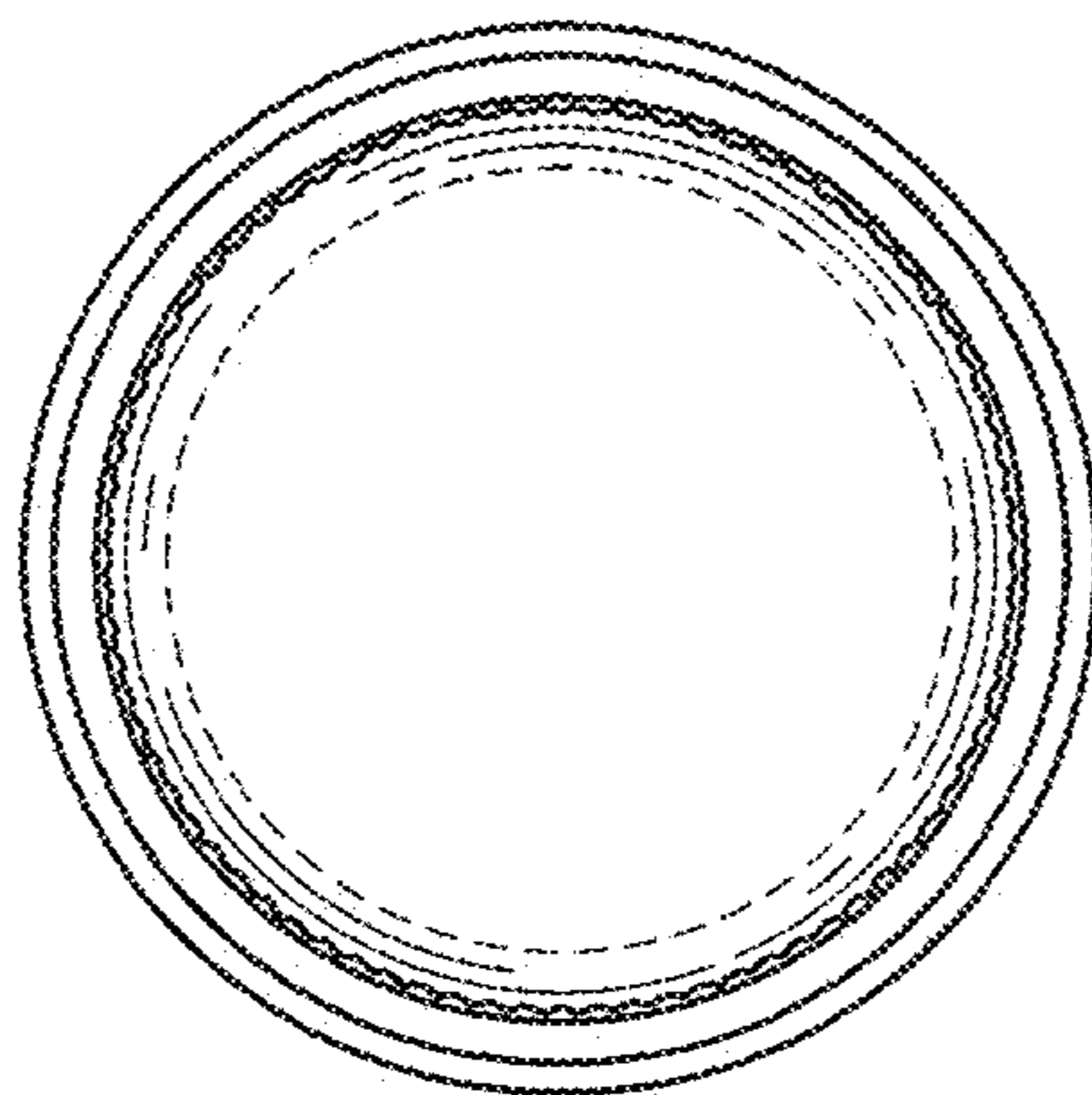


FIG. 4

