



US00D698083S

(12) **United States Design Patent**
Werner

(10) **Patent No.:** **US D698,083 S**
(45) **Date of Patent:** **** Jan. 21, 2014**

- (54) **HAIR TRIMMER HOUSING**
- (71) Applicant: **Andis Company**, Sturtevant, WI (US)
- (72) Inventor: **Edwin A. Werner**, Union Grove, WI (US)
- (73) Assignee: **Andis Company**, Sturtevant, WI (US)
- (**) Term: **14 Years**
- (21) Appl. No.: **29/456,687**
- (22) Filed: **Jun. 3, 2013**
- (51) **LOC (10) Cl.** **28-03**
- (52) **U.S. Cl.**
USPC **D28/53**
- (58) **Field of Classification Search**
USPC D28/49-54, 44-48; 30/34.05, 32, 34.1,
30/34.2, 43-43.92, 526-527, 44-45, 341,
30/195-22, 272.1, 226-227, 231,
30/233-233.5, 537, 539-540
See application file for complete search history.

- D674,966 S * 1/2013 Wan D28/53
- D682,471 S * 5/2013 Yde et al. D28/53
- D684,319 S * 6/2013 Wan D28/54

* cited by examiner

Primary Examiner — Jennifer Rivard
(74) *Attorney, Agent, or Firm* — Michael Best & Friedrich LLP

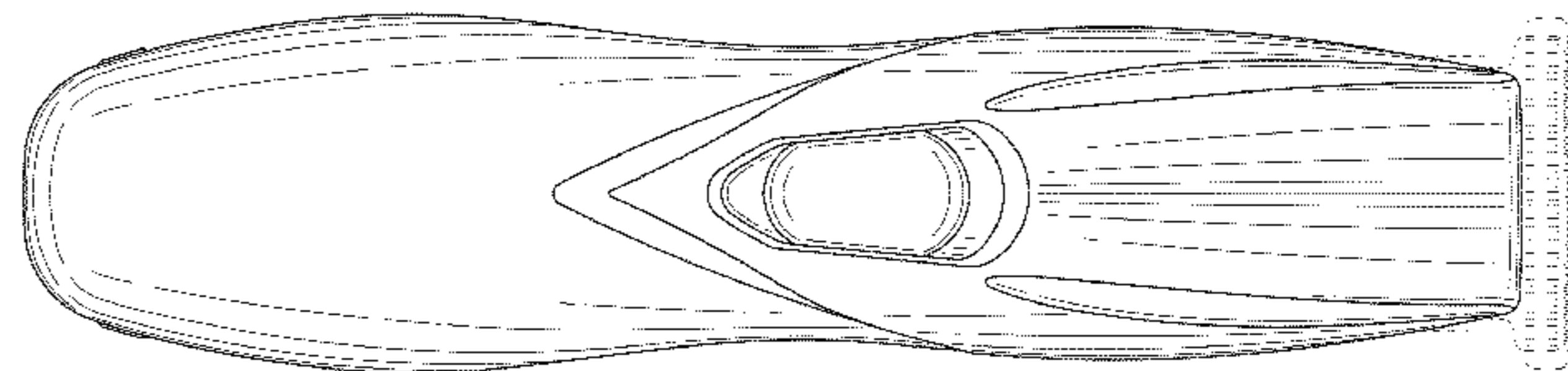
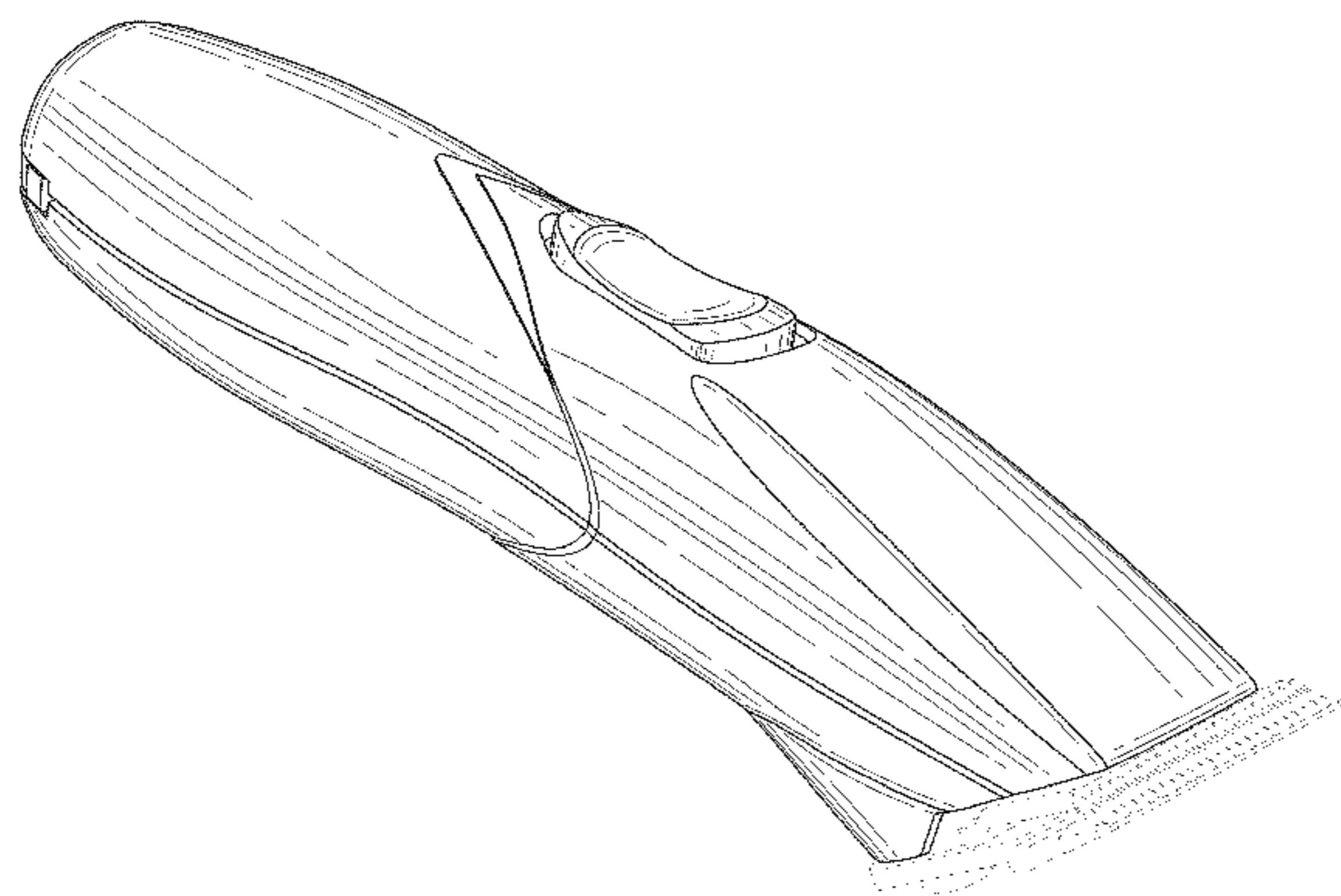
(57) **CLAIM**
I claim the ornamental design for a hair trimmer housing, as shown and described.

DESCRIPTION

FIG. 1 is a perspective view of a hair trimmer housing. FIG. 2 is a right side view of the design shown in FIG. 1. FIG. 3 is a left side view of the design shown in FIG. 1. FIG. 4 is a front view of the design shown in FIG. 1. FIG. 5 is a rear view of the design shown in FIG. 1. FIG. 6 is a top view of the design shown in FIG. 1; and, FIG. 7 is a bottom view of the design shown in FIG. 1. The present application is directed to the shape and contour of the designs illustrated in the drawings. The broken lines showing the environment is for illustrative purposes only and forms no part of the claimed design.

1 Claim, 6 Drawing Sheets

- (56) **References Cited**
U.S. PATENT DOCUMENTS
D589,649 S * 3/2009 Tamsiran D28/44.1
D621,546 S * 8/2010 Aulwes et al. D28/53



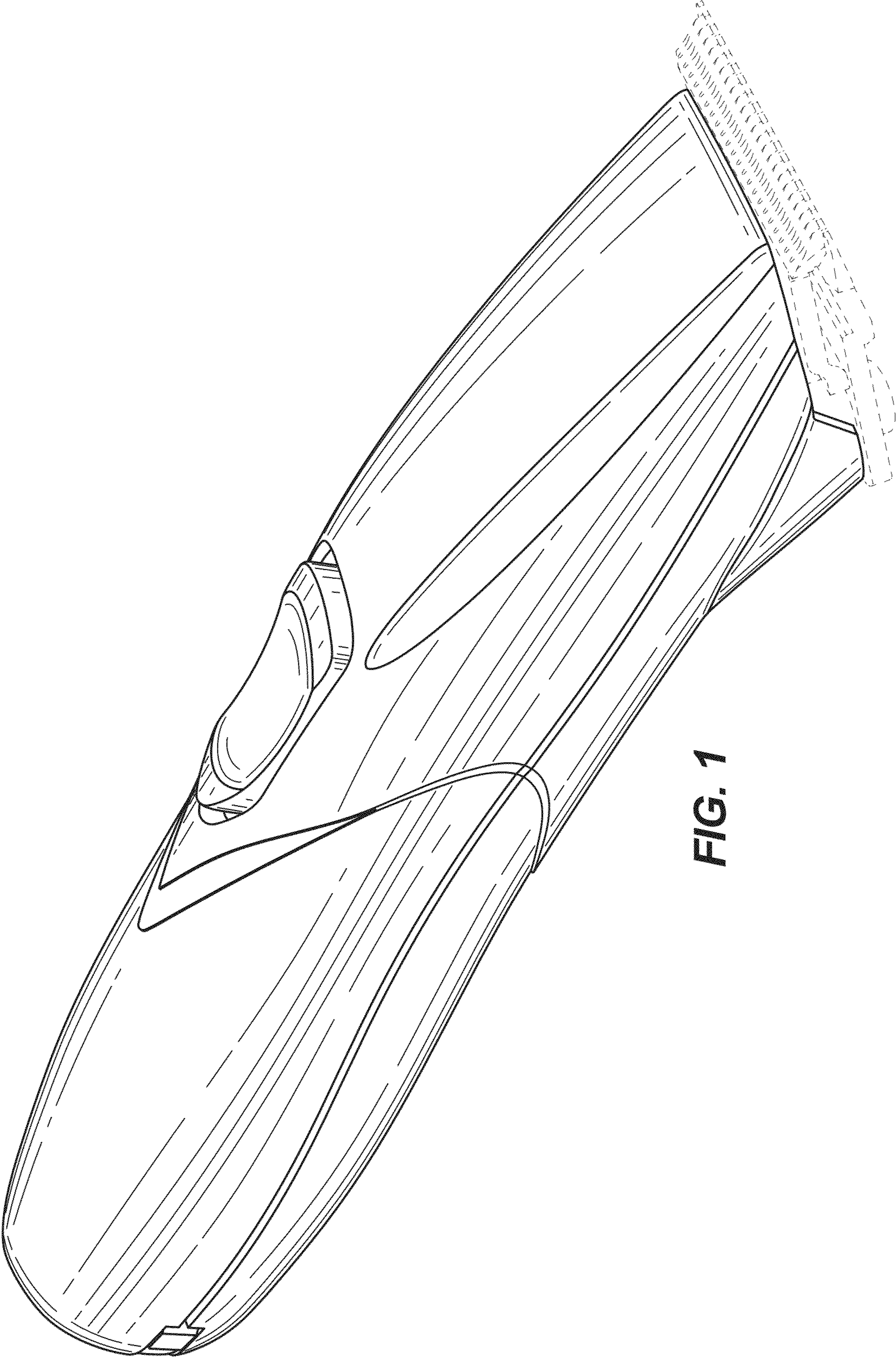


FIG. 1

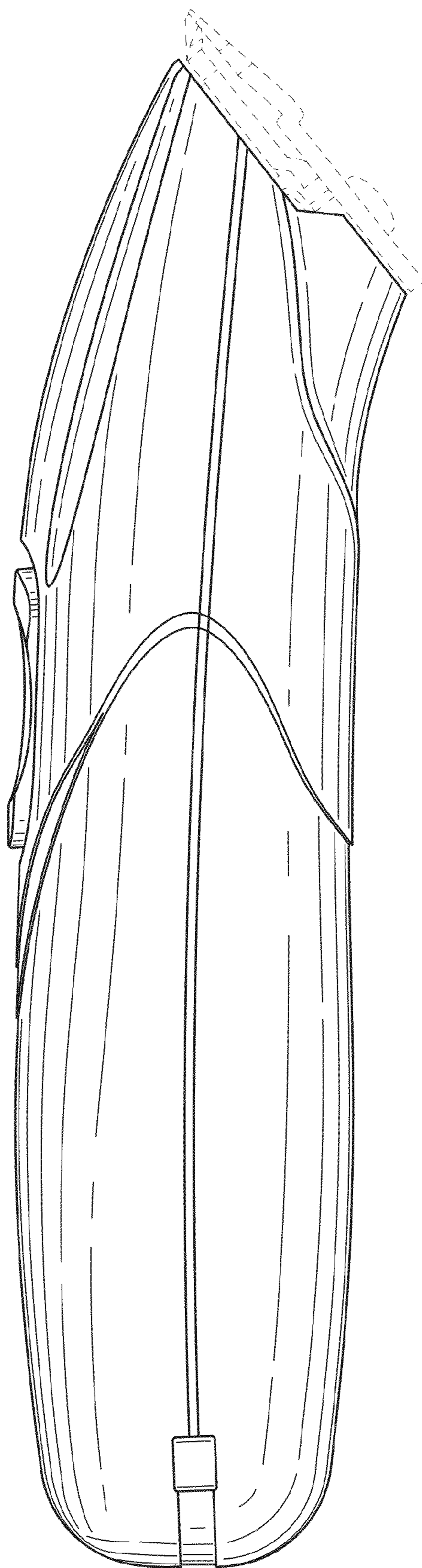


FIG. 2

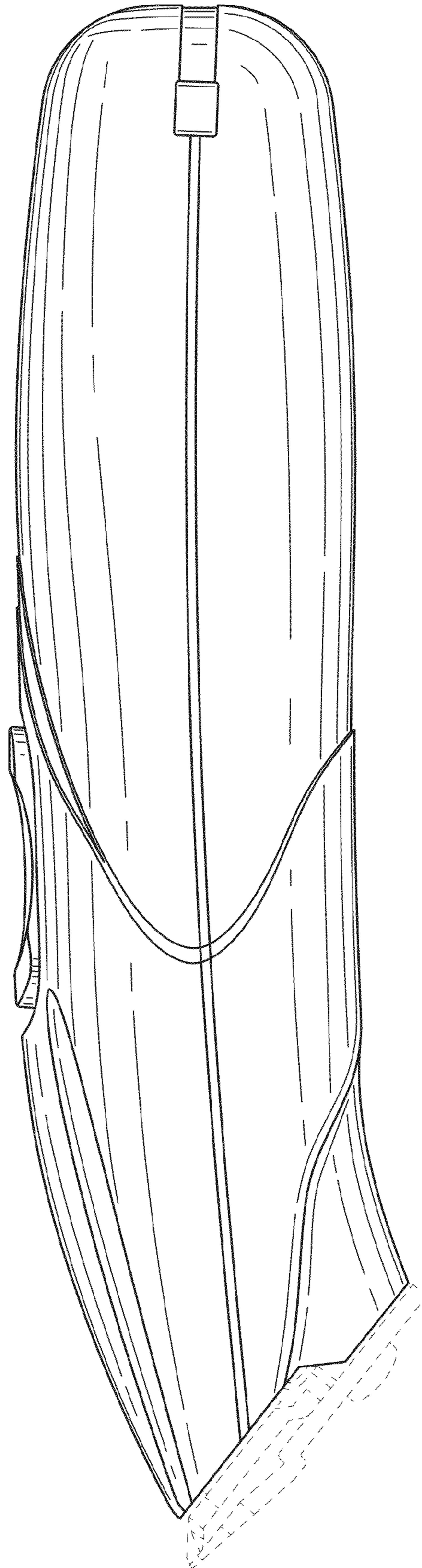


FIG. 3

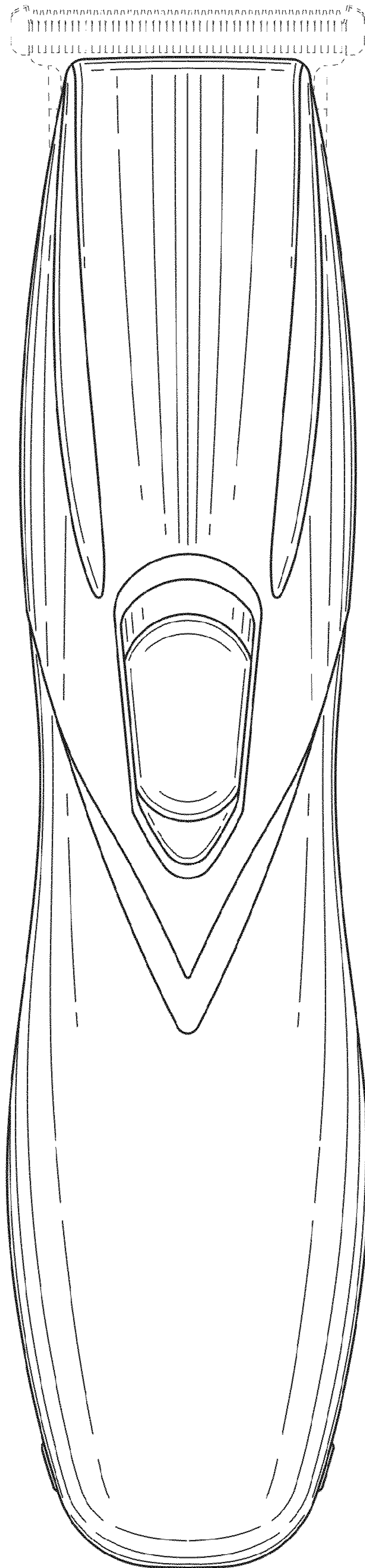


FIG. 4

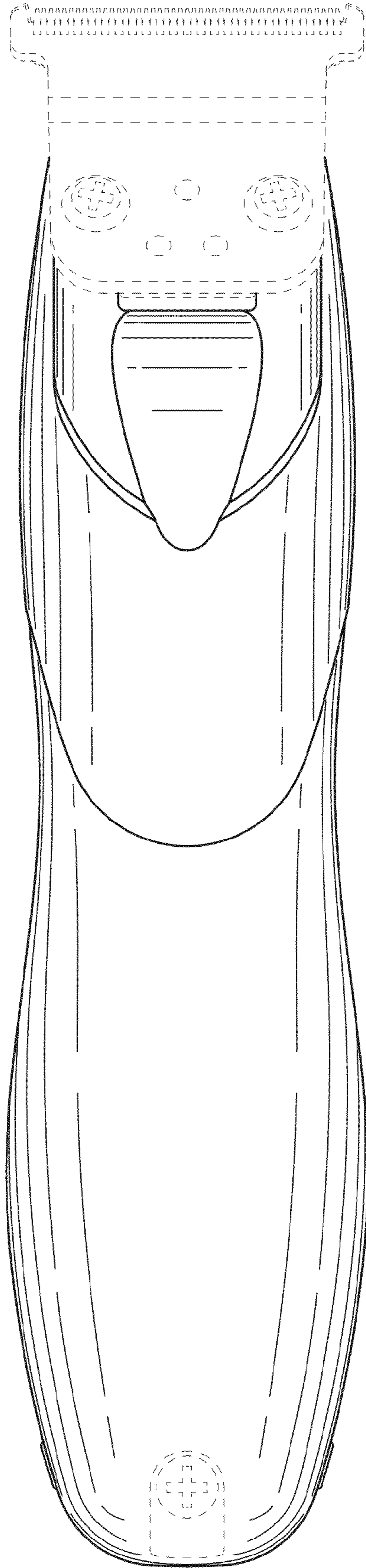


FIG. 5

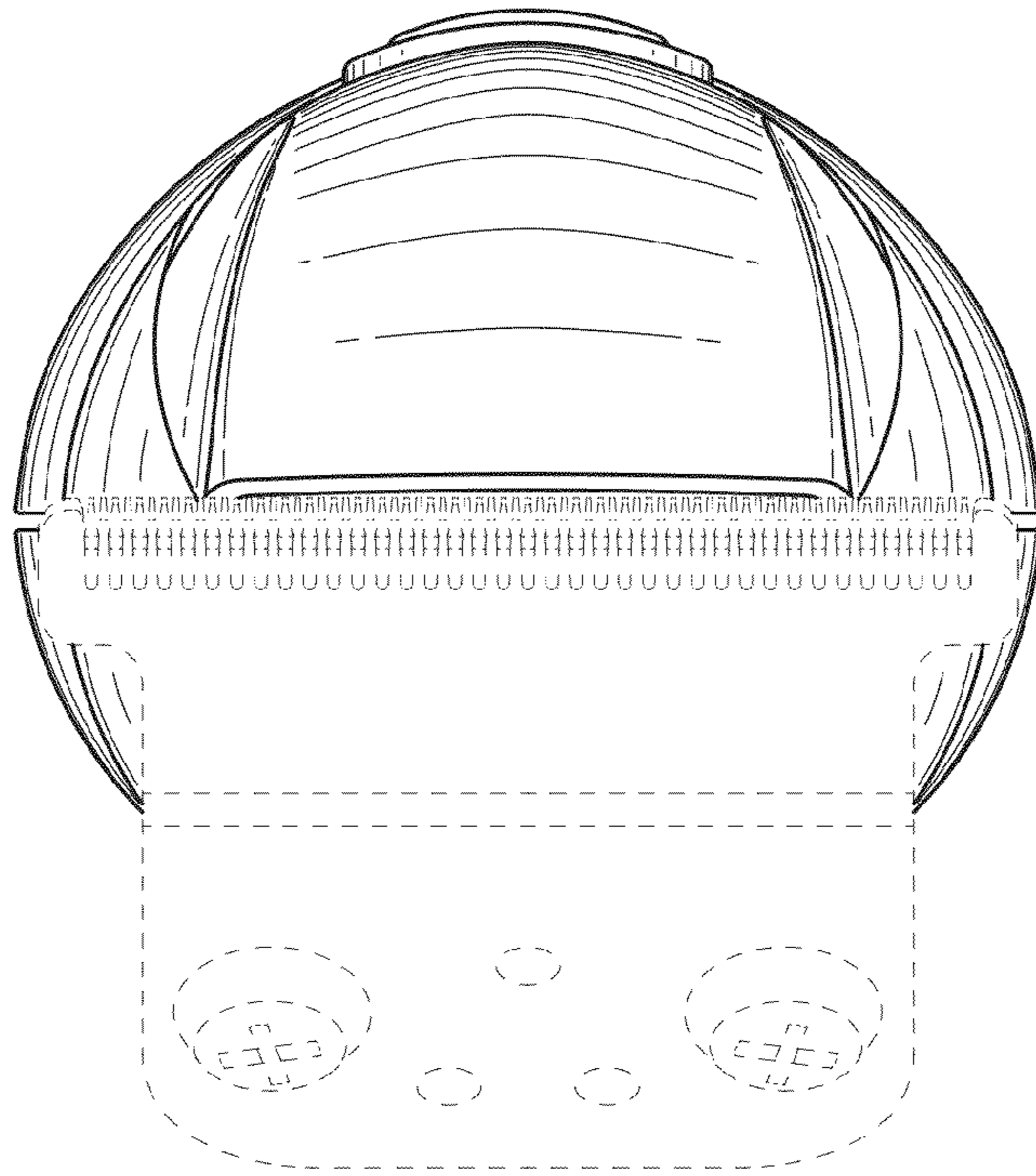


FIG. 6

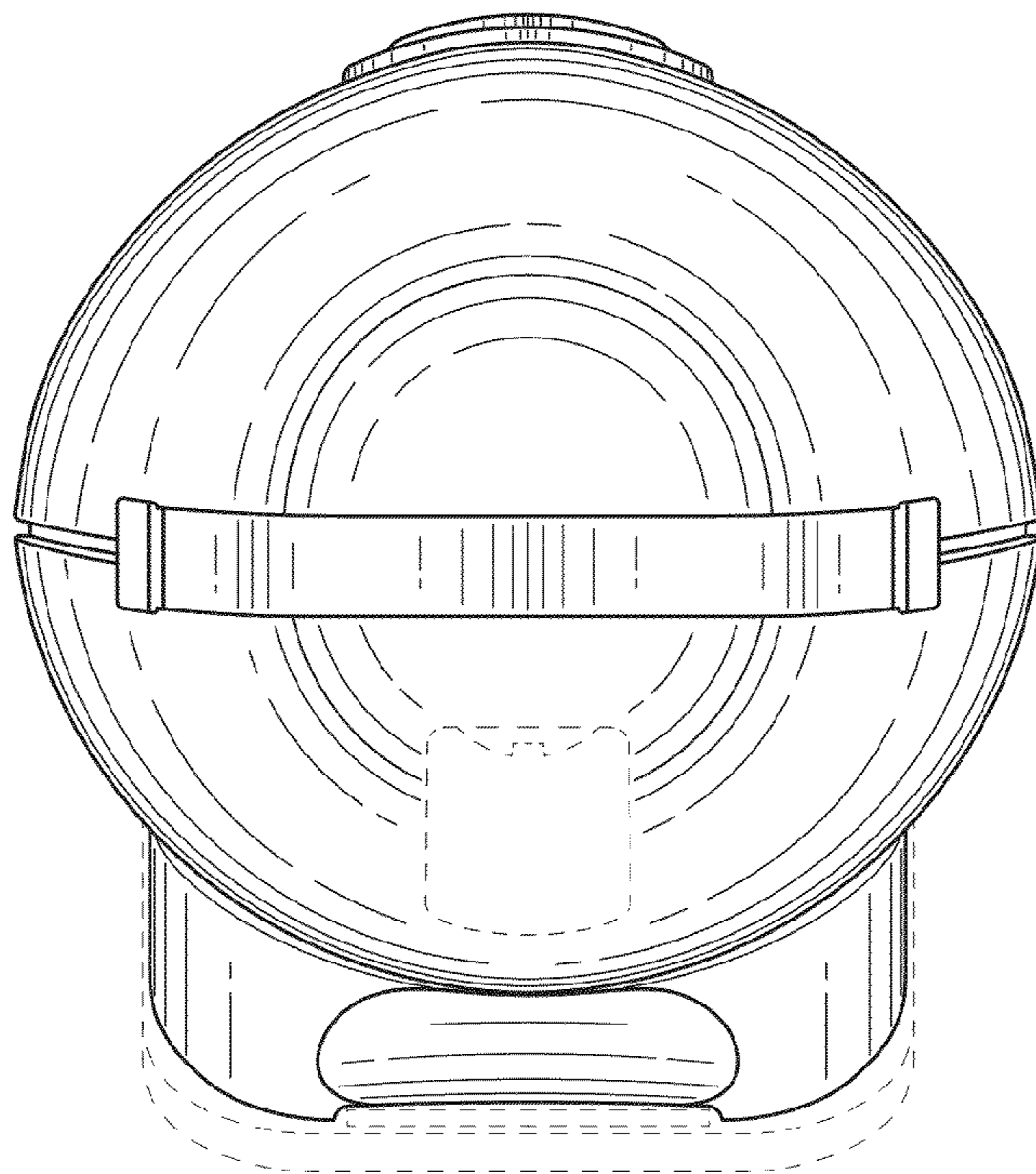


FIG. 7