

US00D698080S

(12) **United States Design Patent**
Colin

(10) **Patent No.:** **US D698,080 S**
(45) **Date of Patent:** **** Jan. 21, 2014**

(54) **HAIR CLIPPER**

(71) Applicant: **Babyliss Faco SPRL**, Wandre (BE)

(72) Inventor: **Nicolas Colin**, Awirs (BE)

(73) Assignee: **Babyliss Faco SPRL**, Wandre (BE)

(**) Term: **14 Years**

(21) Appl. No.: **29/451,818**

(22) Filed: **Apr. 9, 2013**

(30) **Foreign Application Priority Data**

Oct. 9, 2012 (EM) 002115832-0001

(51) **LOC (10) Cl.** **28-03**

(52) **U.S. Cl.**
USPC **D28/53**

(58) **Field of Classification Search**
USPC D28/49-54, 44-48; 30/34.05, 32, 34.1,
30/34.2, 43-43.92, 526-527, 44-45, 341,
30/272.1, 226-227, 231, 233-233.5, 537,
30/539-540
See application file for complete search history.

(56) **References Cited**

U.S. PATENT DOCUMENTS

D355,968 S * 2/1995 Schneider et al. D28/44.1
D500,890 S * 1/2005 Muramatsu D28/53

D512,184 S * 11/2005 Akahori D28/53
D518,236 S * 3/2006 Butcher D28/53
D521,684 S * 5/2006 Izumi et al. D28/53
D535,788 S * 1/2007 Ng D28/53
7,249,416 B2 * 7/2007 Yamaguchi et al. 30/43.91
D577,864 S * 9/2008 Kitagawa et al. D28/53
D593,254 S * 5/2009 Tamsiran D28/51
7,748,123 B2 * 7/2010 Bednar 30/216
D640,832 S * 6/2011 Julemont D28/53
D675,378 S * 1/2013 Boulanger D28/46
D683,074 S * 5/2013 Julemont D28/53

* cited by examiner

Primary Examiner — Jennifer Rivard

(74) *Attorney, Agent, or Firm* — Ladas & Parry LLP

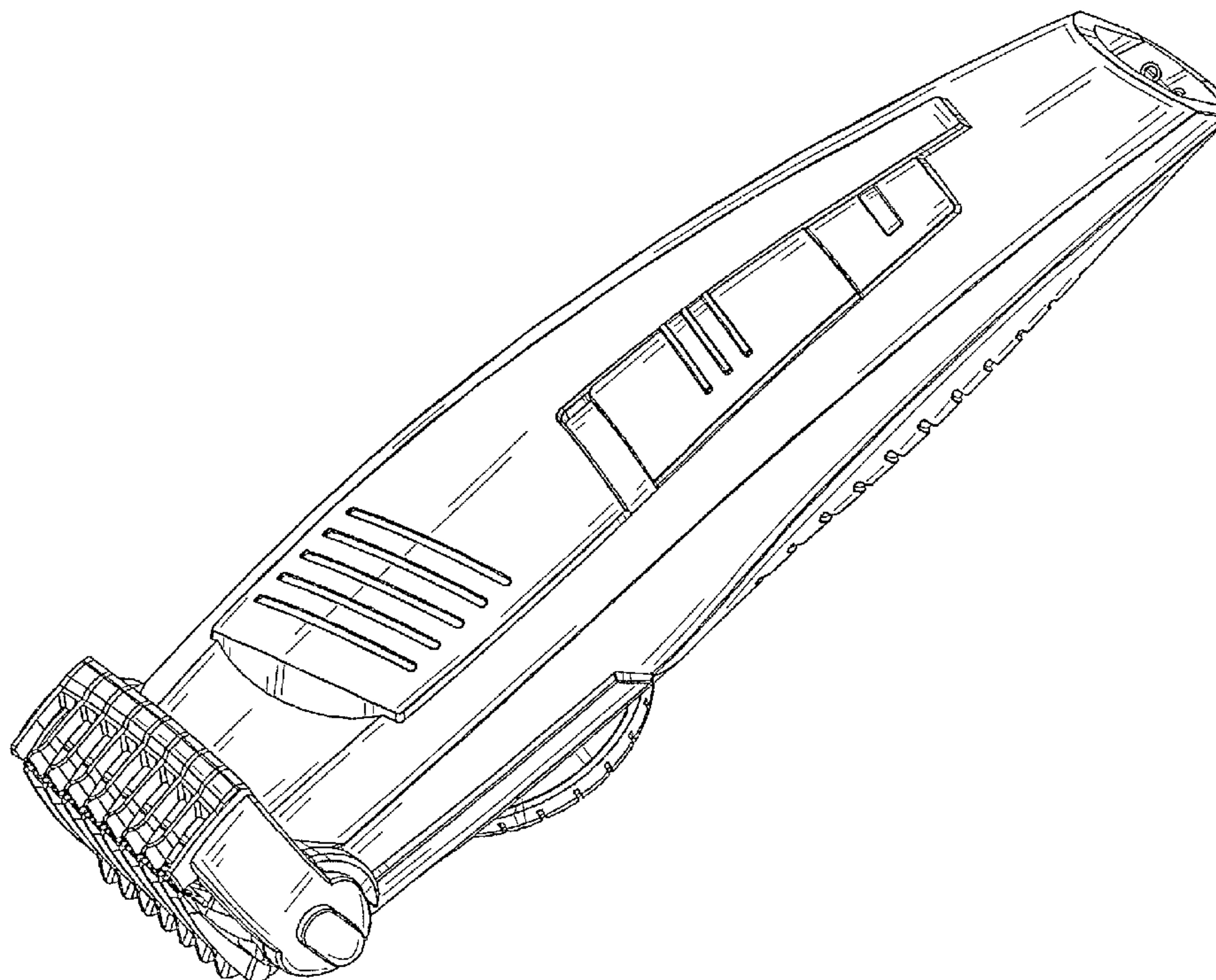
(57) **CLAIM**

The ornamental design for a hair clipper, as shown and described.

DESCRIPTION

FIG. 1 is a perspective view from the front, top, and right side of the hair clipper embodying our new design;
FIG. 2 is a perspective view from below and to the right thereof;
FIG. 3 is a front elevational view thereof;
FIG. 4 is a rear elevational view thereof;
FIG. 5 is a right side elevational view thereof;
FIG. 6 is a left side elevational view thereof;
FIG. 7 is a top plan view thereof, and,
FIG. 8 is a bottom plan view thereof.

1 Claim, 8 Drawing Sheets



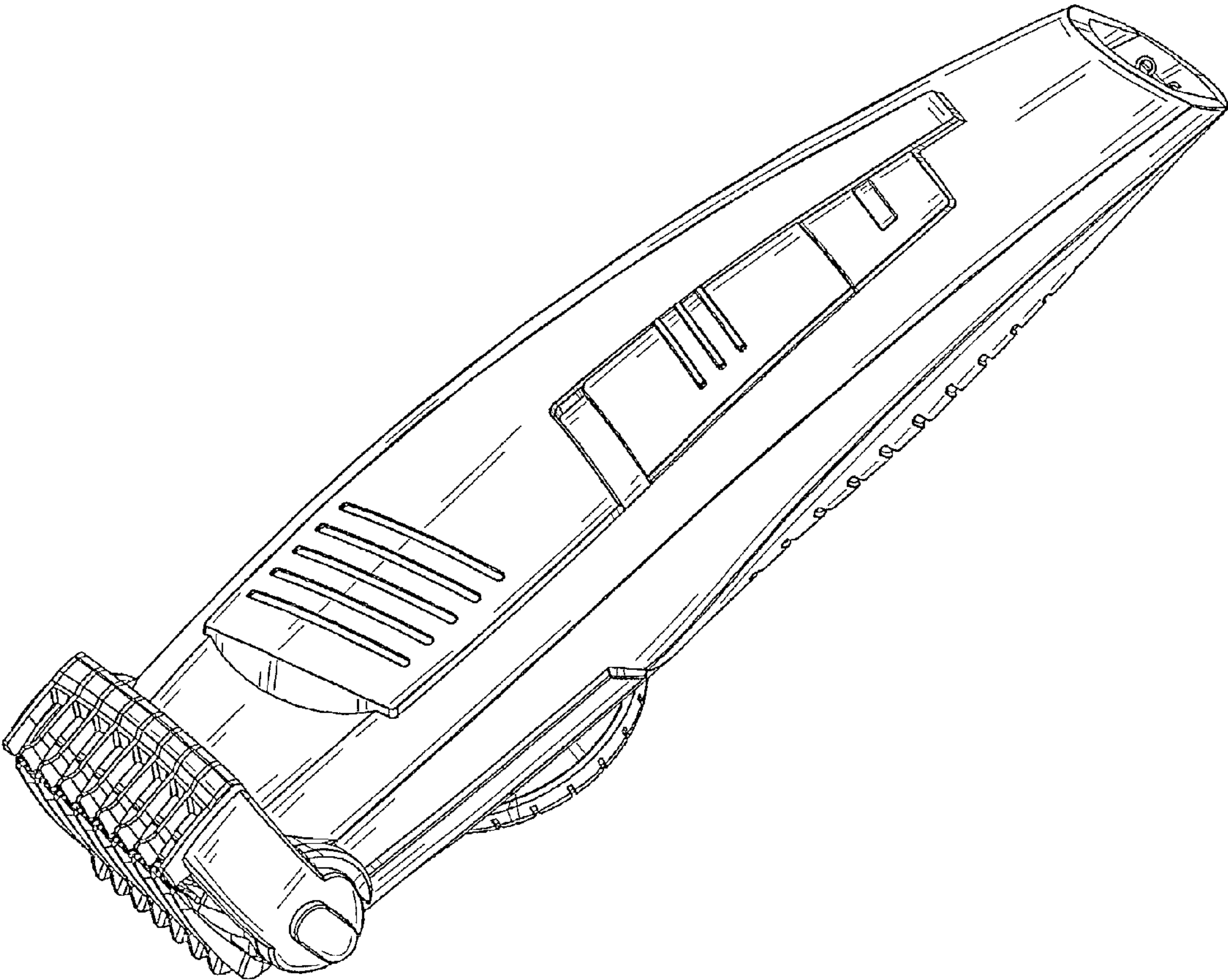


FIG. 1

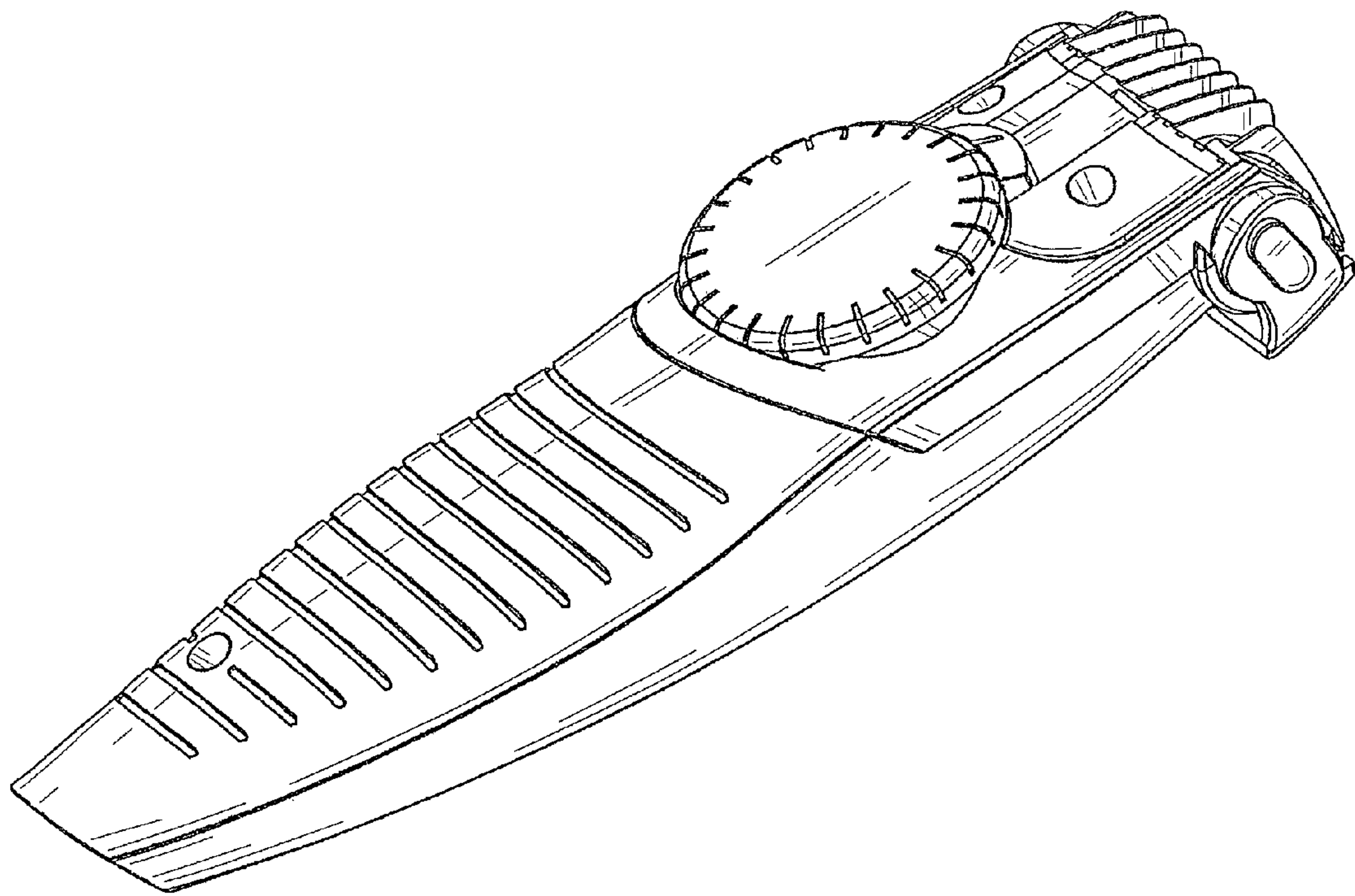


FIG. 2

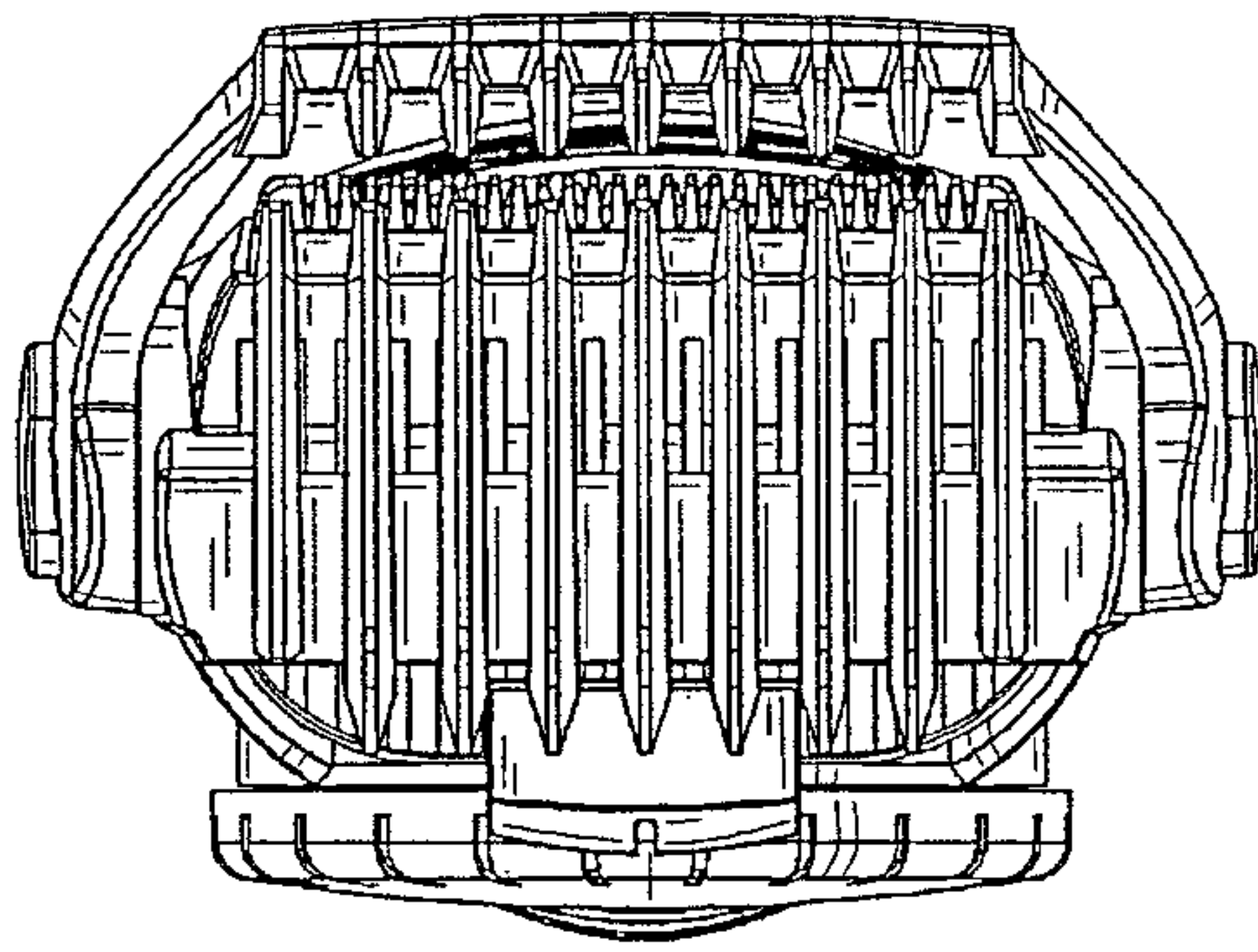


FIG. 3

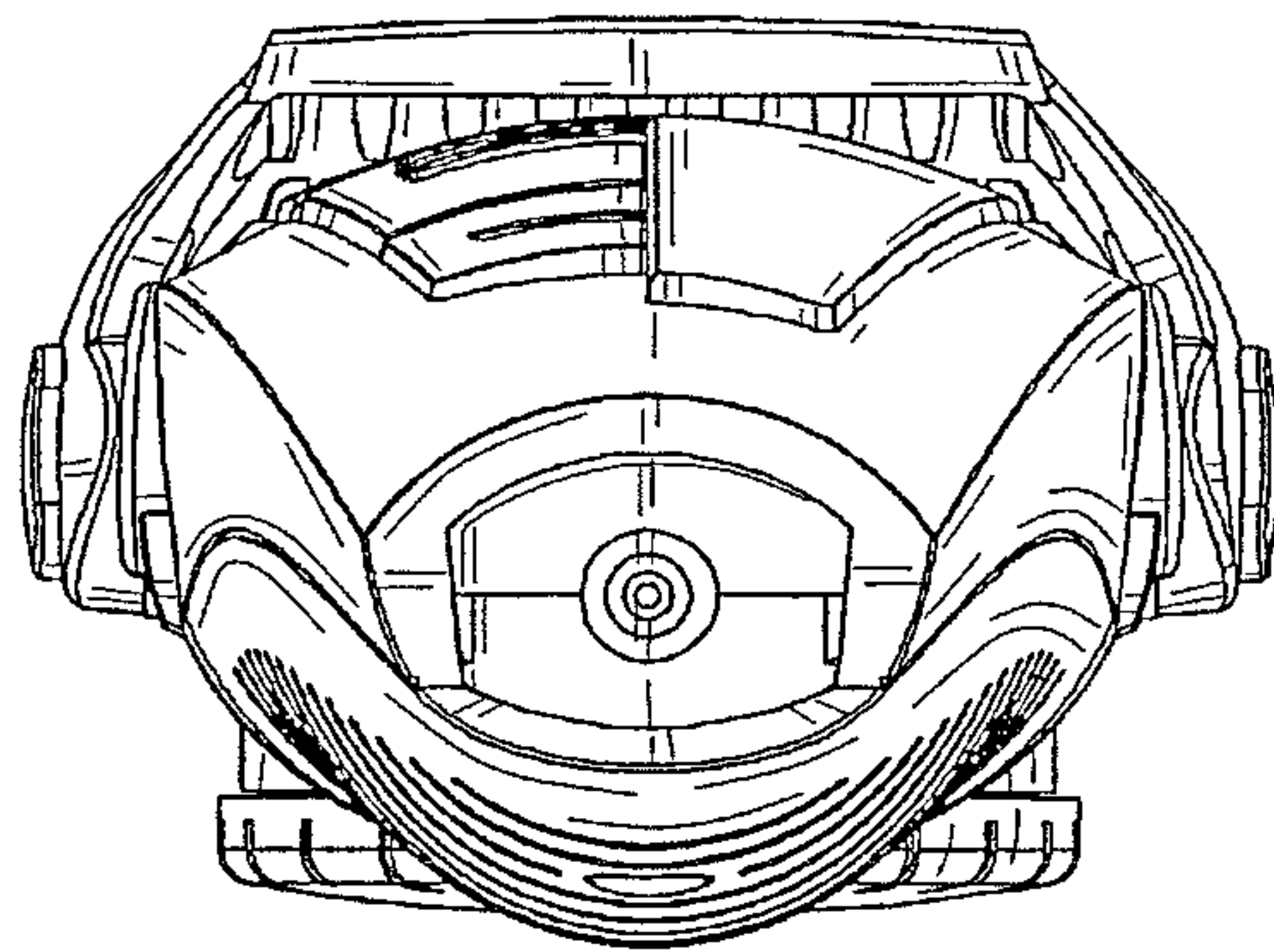


FIG. 4

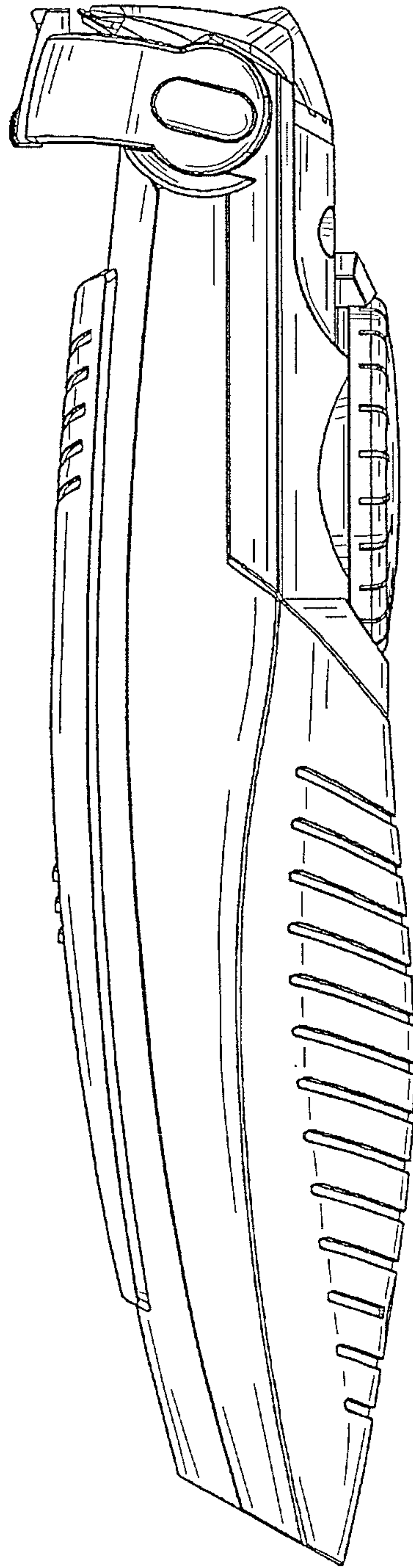


FIG. 5

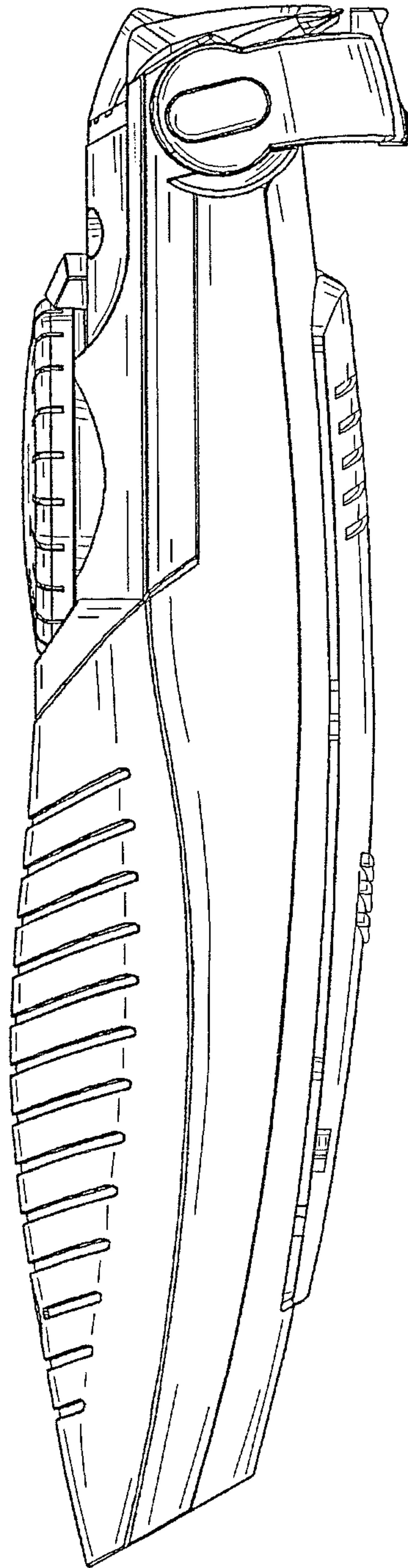


FIG. 6

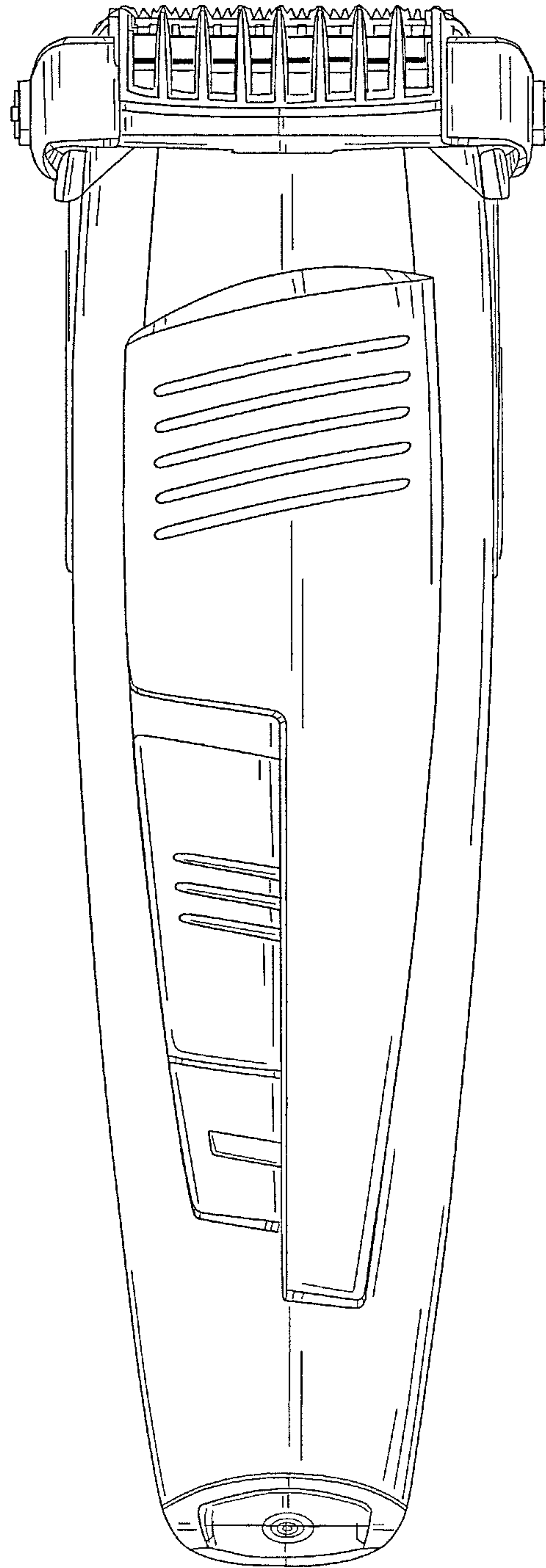


FIG. 7

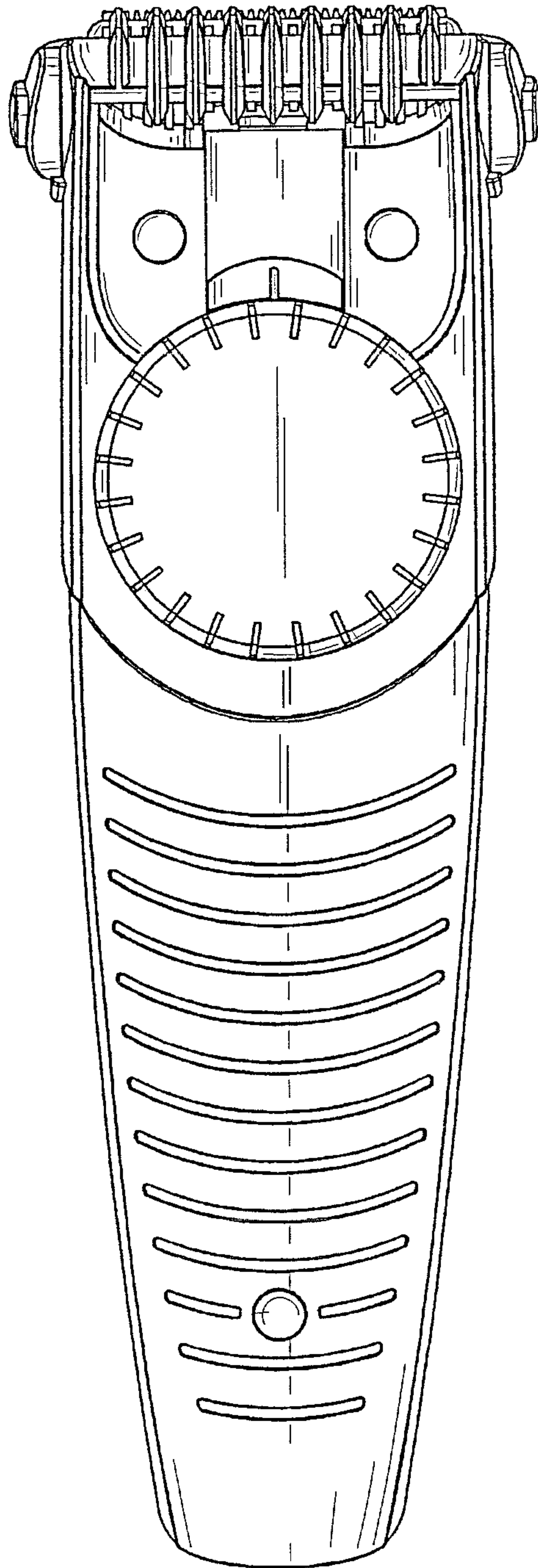


FIG. 8