



US00D698079S

(12) **United States Design Patent**
Zheng et al.

(10) **Patent No.:** **US D698,079 S**
(45) **Date of Patent:** **** Jan. 21, 2014**

(54) **CLIPPER**
(71) Applicant: **Allegiance Corporation**, McGaw Park, IL (US)
(72) Inventors: **Chenglin Zheng**, Paiter Electric (CN); **Yuen Shyang Wang**, Singapore (SG)
(73) Assignee: **Cardinal Health Singapore 225 Pte Ltd**, Singapore (SG)
(**) Term: **14 Years**

D446,605 S *	8/2001	Speh	D28/53
D451,639 S *	12/2001	Lior	D28/10
D519,243 S *	4/2006	Kling	D28/51
D567,443 S *	4/2008	Giannini	D28/53
D567,444 S *	4/2008	Giannini	D28/54
D567,445 S *	4/2008	Giannini	D28/54
D583,098 S *	12/2008	Giannini	D28/54
D602,636 S *	10/2009	Lother et al.	D28/54
D624,244 S *	9/2010	Giannini	D28/54
D628,743 S *	12/2010	Shoavi	D28/52
D651,747 S *	1/2012	Nitsch et al.	D28/53
8,146,254 B2 *	4/2012	Morisugi et al.	30/43.92
D683,900 S *	6/2013	Julemont	D28/53
2003/0145469 A1 *	8/2003	Ogawa et al.	30/210

(21) Appl. No.: **29/449,930**
(22) Filed: **Mar. 15, 2013**
(51) **LOC (10) Cl.** **28-03**
(52) **U.S. Cl.**
USPC **D28/53**
(58) **Field of Classification Search**
USPC D28/49-54, 44-48; 30/34.05, 32, 34.1, 30/34.2, 43-43.92, 526-527, 44-45, 341, 30/272.1, 226-227, 231, 233-233.5, 537, 30/539-540
See application file for complete search history.

* cited by examiner

Primary Examiner — Jennifer Rivard
(74) *Attorney, Agent, or Firm* — Arent Fox LLP

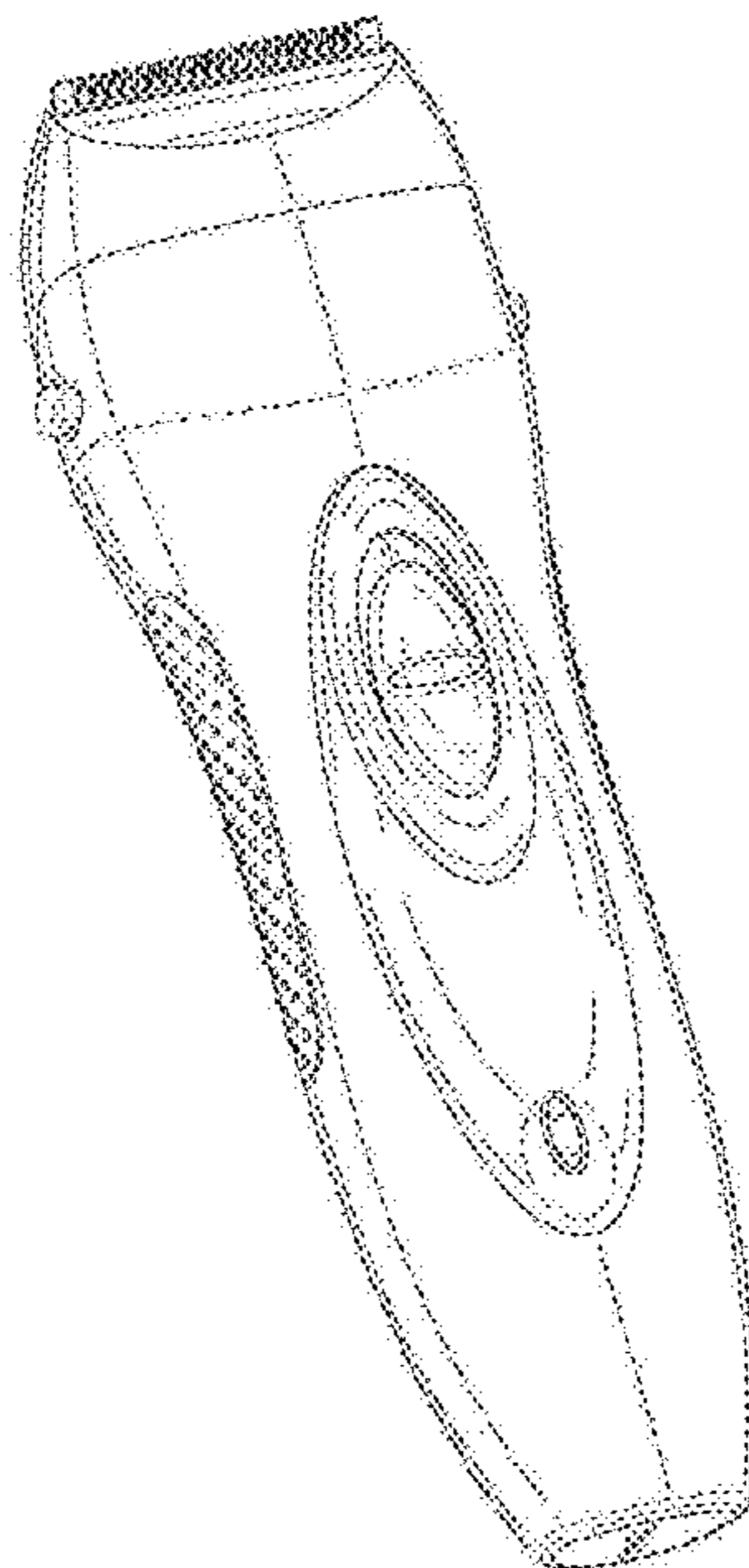
(57) **CLAIM**
The ornamental design for a clipper, as shown and described.

DESCRIPTION

FIG. 1 is a perspective view of a clipper showing our new design;
FIG. 2 is a front view of the design shown in FIG. 1;
FIG. 3 is a back view of the design shown in FIG. 1;
FIG. 4 is a left side view of the design shown in FIG. 1; the right side view being a mirror image thereof;
FIG. 5 is a bottom view of the design shown in FIG. 1; and, FIG. 6 is a top view of the design shown in FIG. 1.
The broken lines shown in the drawings illustrate portions of the article and form no part of the claimed design.

1 Claim, 5 Drawing Sheets

(56) **References Cited**
U.S. PATENT DOCUMENTS
D283,061 S * 3/1986 Kitashima et al. D28/53
D304,866 S * 11/1989 Yonezawa et al. D28/49
D341,003 S * 11/1993 Muramatsu et al. D28/49
D343,923 S * 2/1994 Nakashima et al. D28/49
D377,404 S * 1/1997 Izumi D28/49
D377,847 S * 2/1997 Sulik D28/49



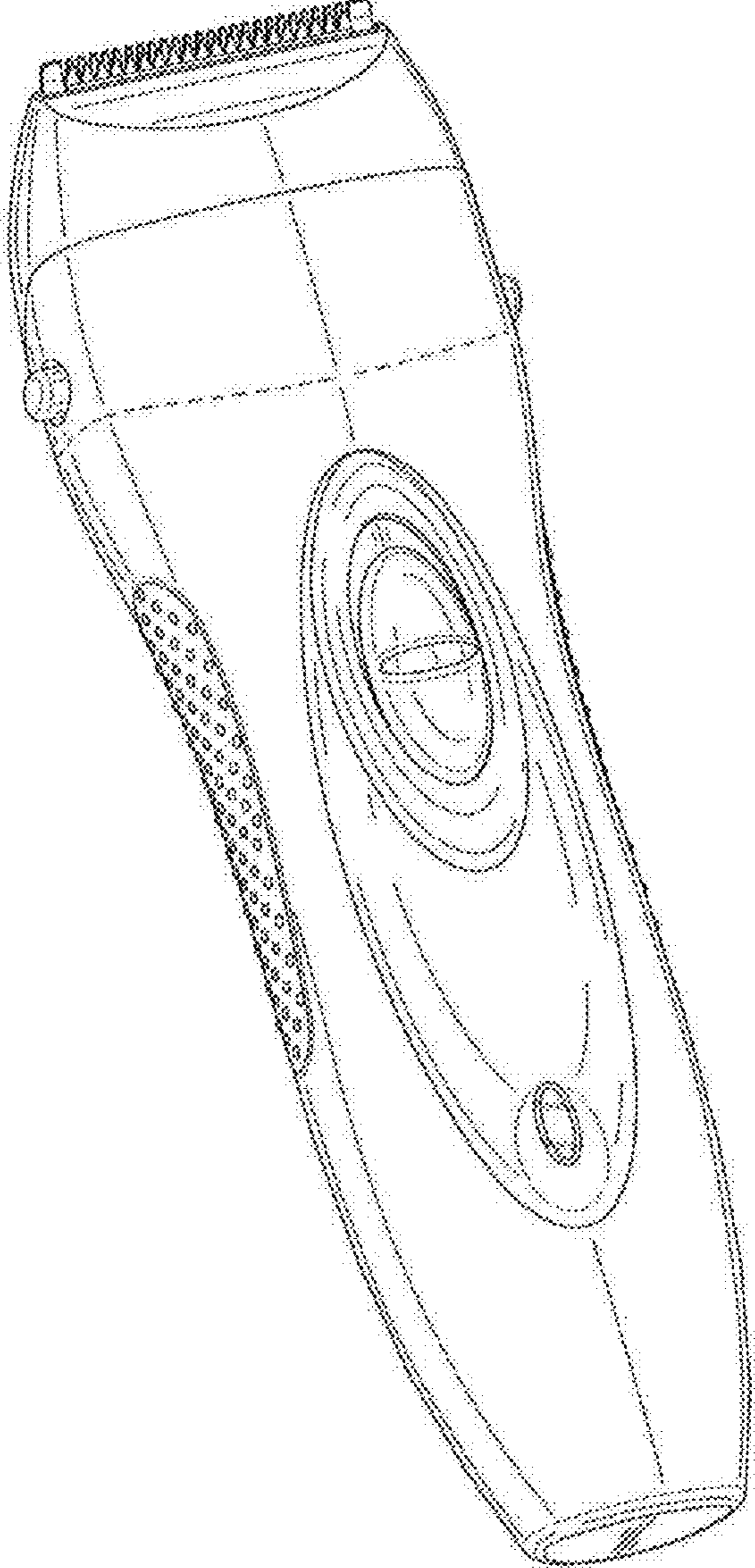


FIG.1

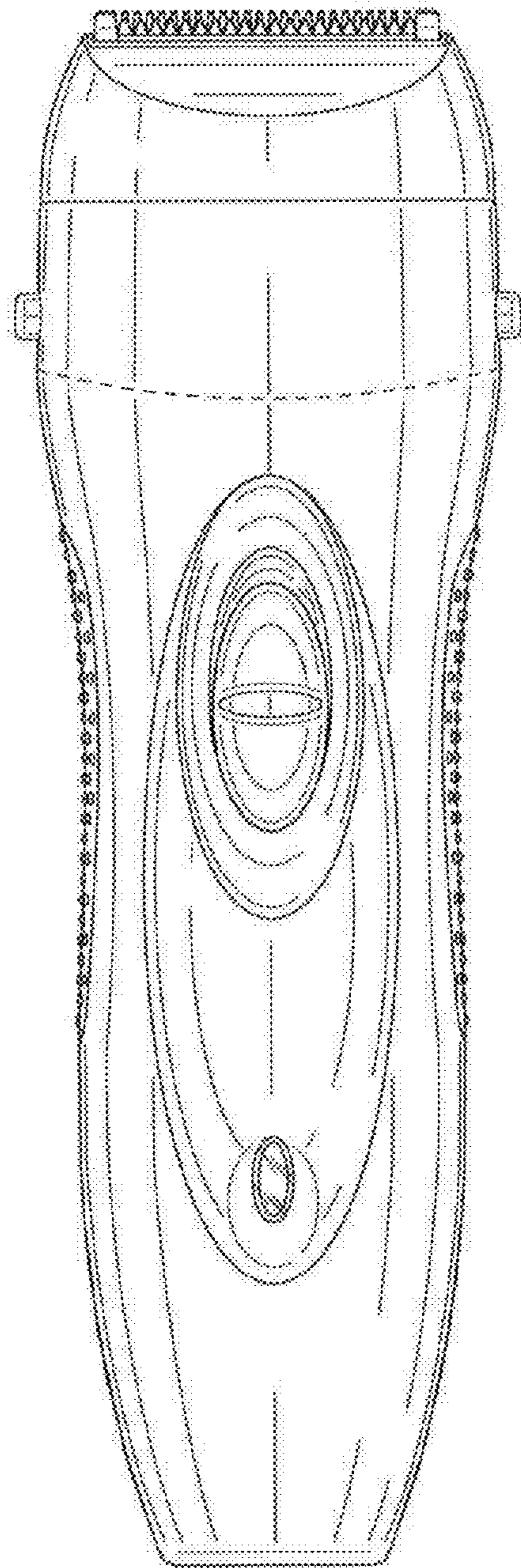


FIG.2

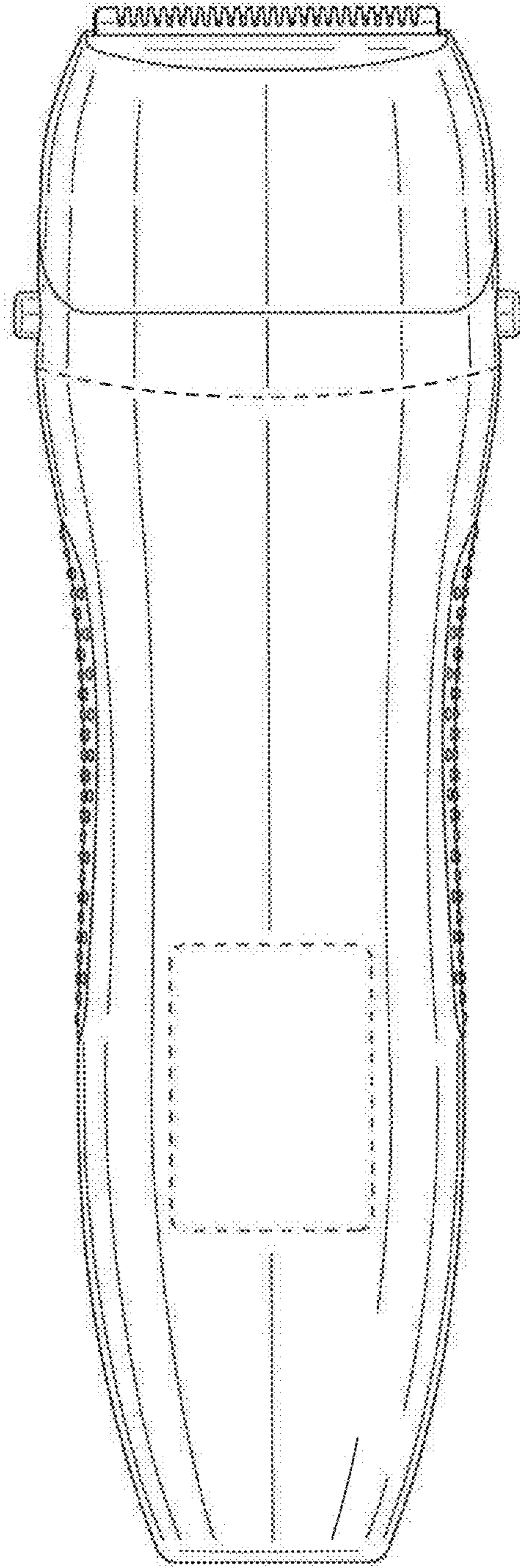


FIG.3

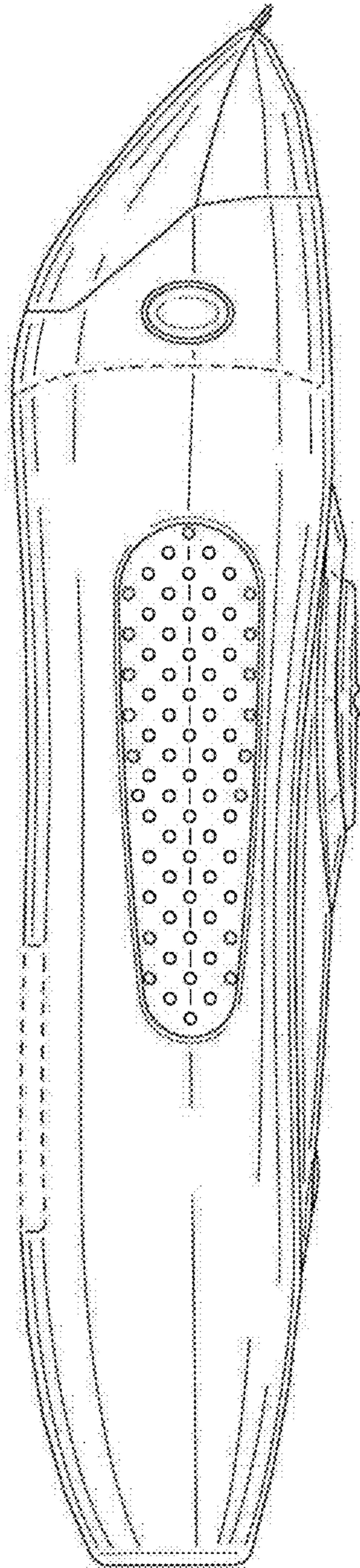


FIG.4

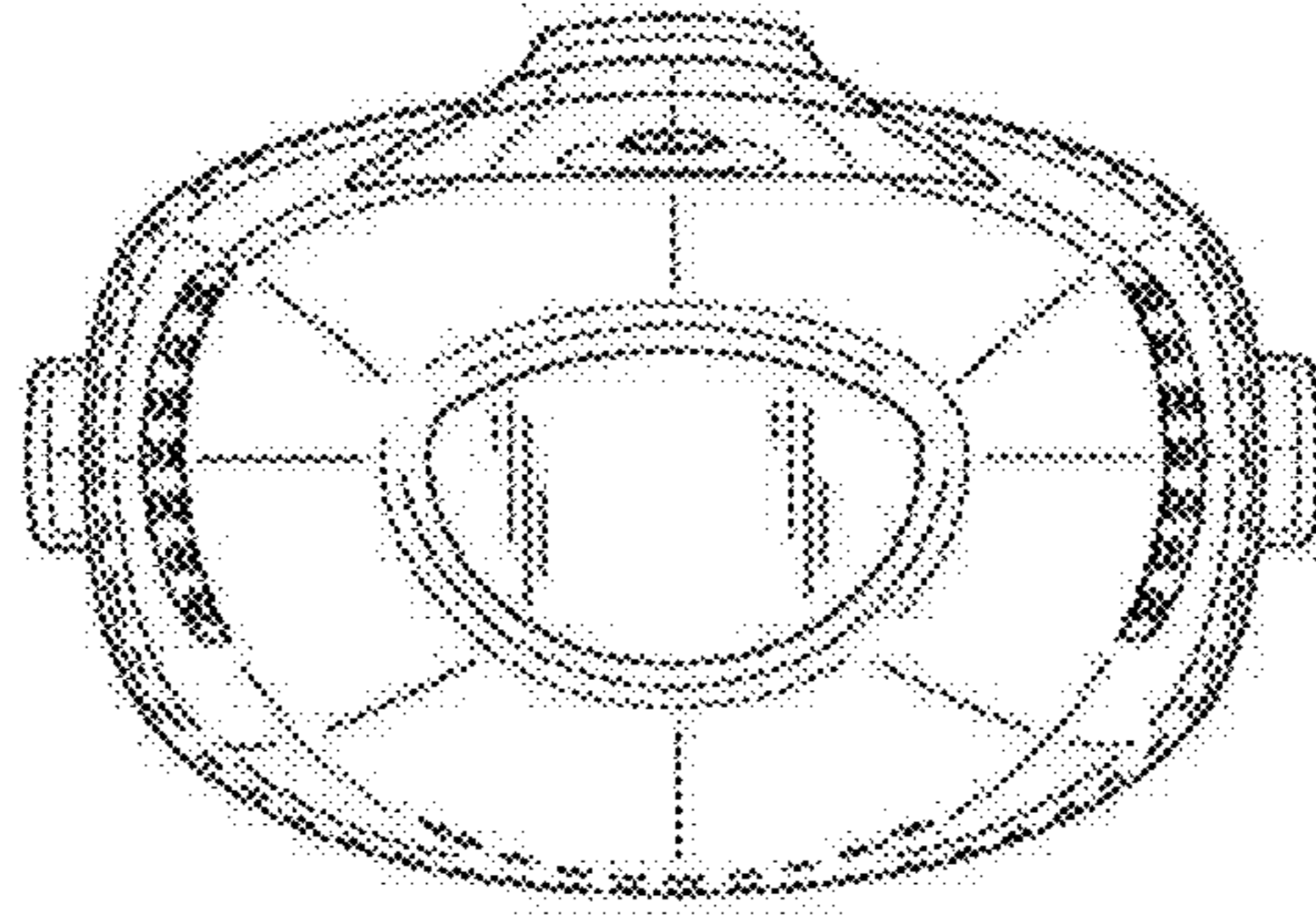


FIG. 5

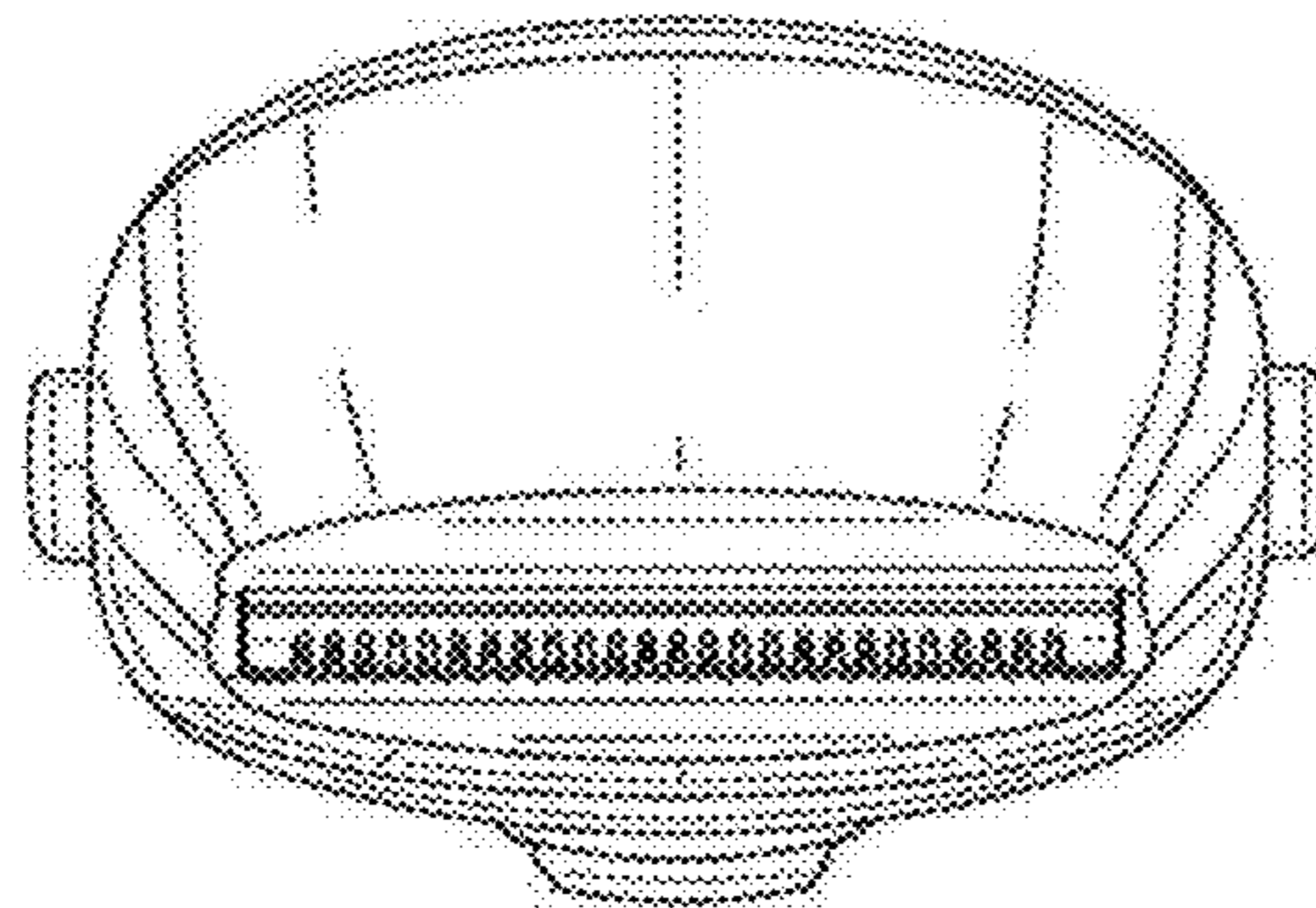


FIG. 6