



US00D698078S

(12) **United States Design Patent**
Purizhansky et al.

(10) **Patent No.:** **US D698,078 S**
(45) **Date of Patent:** **** Jan. 21, 2014**

(54) **FOAM APPLICATOR FOR APPLYING A FLUID**

Primary Examiner — Zenia Bennett
(74) *Attorney, Agent, or Firm* — Walter W. Duft

(75) Inventors: **Edward M. Purizhansky**, Amherst, NY (US); **Clint S. Winter**, Holland, NY (US); **Matthew S. Mantelli**, Depew, NY (US)

(57) **CLAIM**
The ornamental design for a foam applicator for applying a fluid, as shown and described.

(73) Assignee: **TMP Technologies, Inc.**, Buffalo, NY (US)

DESCRIPTION

(**) Term: **14 Years**

(21) Appl. No.: **29/398,486**

(22) Filed: **Aug. 1, 2011**

(51) **LOC (10) Cl.** **28-02**

(52) **U.S. Cl.**
USPC **D28/7**

(58) **Field of Classification Search**
USPC D28/7, 8, 20–22, 30–31, 76, 85, 99;
132/108, 202, 208, 317.32;
401/202–207, 261–267; D4/132–135;
D24/119

See application file for complete search history.

FIG. 1 is an exploded top perspective view of a foam applicator for applying a fluid.
FIG. 2 is top perspective view of the foam applicator for applying a fluid in a closed position.
FIG. 3 is a front view of the foam applicator for applying a fluid in a closed position, the rear view being a mirror image.
FIG. 4 is a right side view of FIG. 2.
FIG. 5 is a left side view of FIG. 2.
FIG. 6 is a top view of FIG. 2.
FIG. 7 is a bottom view of FIG. 2.
FIG. 8 is a bottom perspective view of FIG. 2.
FIG. 9 is another bottom perspective view FIG. 2.
FIG. 10 is a top perspective view of the foam applicator for applying a fluid shown without the cap for convenience of illustration.
FIG. 11 is a front view of FIG. 10, the rear view being a mirror image.
FIG. 12 is a right side view of FIG. 10.
FIG. 13 is a left side view of FIG. 10.
FIG. 14 is a top view of FIG. 10.
FIG. 15 is a bottom view of FIG. 10.
FIG. 16 is a bottom perspective view of FIG. 10.
FIG. 17 is another bottom perspective view of FIG. 10.
FIG. 18 is a top perspective view of the cap portion of the foam applicator for applying a fluid shown separately for convenience of illustration.
FIG. 19 is a side view of the cap, the opposite side, front and rear views being mirror images.
FIG. 20 is a bottom perspective view of the cap; and,
FIG. 21 is a bottom view of the cap.

(56) **References Cited**

U.S. PATENT DOCUMENTS

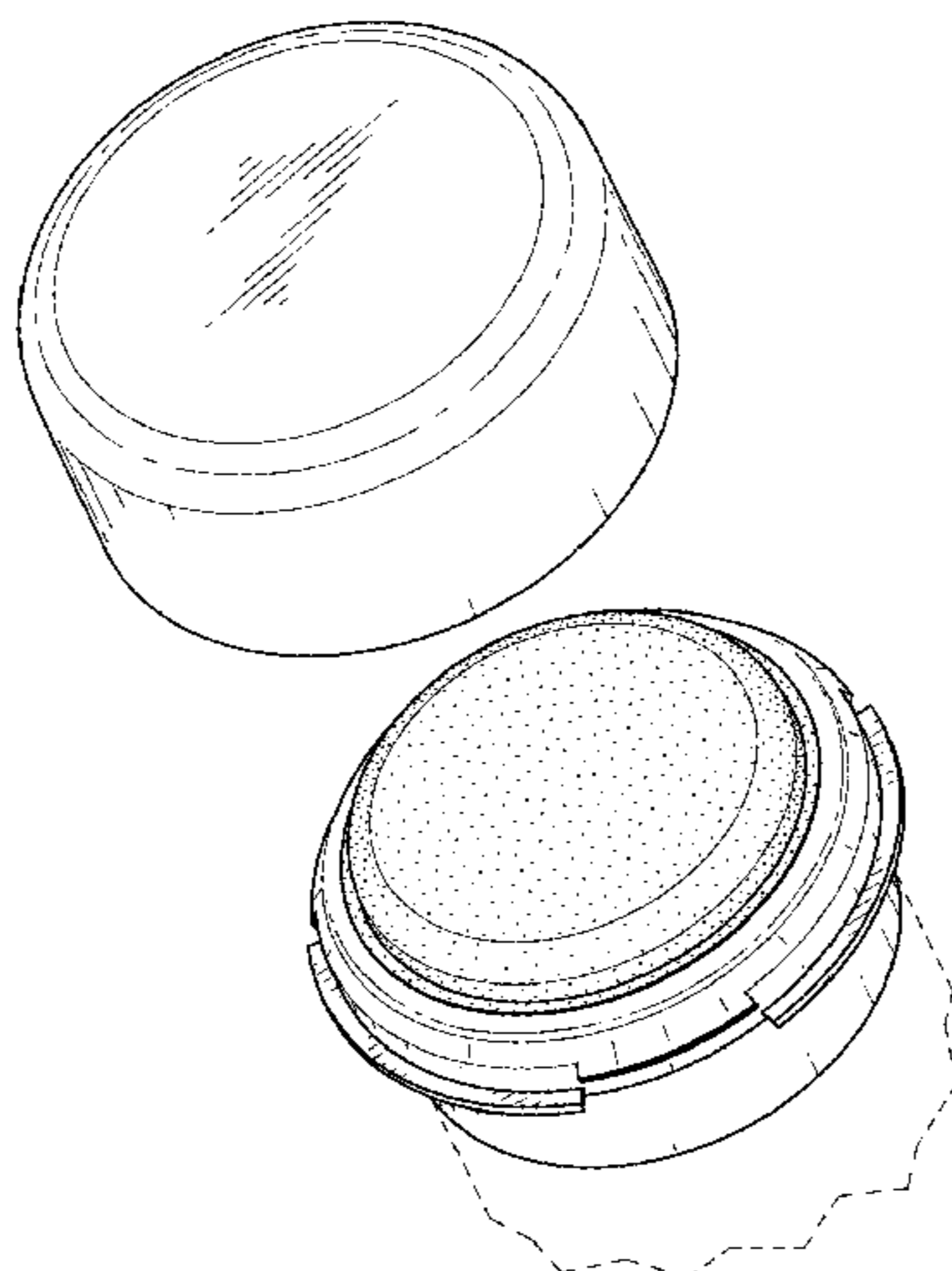
1,217,054 A	2/1917	Pearman	
2,185,575 A *	1/1940	Stinson et al.	401/205
2,449,196 A	9/1946	Bent	
2,962,743 A	12/1958	Henriksson	
3,133,308 A	5/1964	Claypool	
3,680,168 A	8/1972	Krusche et al.	
4,035,090 A	7/1977	Bavaveas	
4,269,527 A	5/1981	Lipfert et al.	

(Continued)

OTHER PUBLICATIONS

Dab-O-Matic Corp, "Product Showcase Dab-o-Matics", dated at least as early as Jul. 19, 2011, 1 page.

1 Claim, 11 Drawing Sheets



(56)

References Cited

U.S. PATENT DOCUMENTS

4,411,040 A 10/1983 Sharrow et al.
4,620,648 A 11/1986 Schwartzman
4,693,623 A 9/1987 Schwartzman
4,964,372 A 10/1990 Zeenni et al.
5,246,139 A 9/1993 Duceppe
D413,799 S * 9/1999 Schlatter D9/727
6,183,154 B1 2/2001 Coe
D439,011 S 3/2001 Linnette

D447,280 S 8/2001 Angeletta
D449,707 S 10/2001 Angeletta
D475,617 S * 6/2003 Angeletta D28/7
D476,816 S 7/2003 Angeletta
D483,149 S * 12/2003 Angeletta D28/7
D487,164 S 2/2004 Denton
6,796,737 B2 9/2004 Ashe
D505,749 S 5/2005 Angeletta
D506,027 S 6/2005 Angeletta
6,932,532 B2 8/2005 Schwartzman et al.
D547,003 S 7/2007 Angeletta

* cited by examiner

FIG. 1

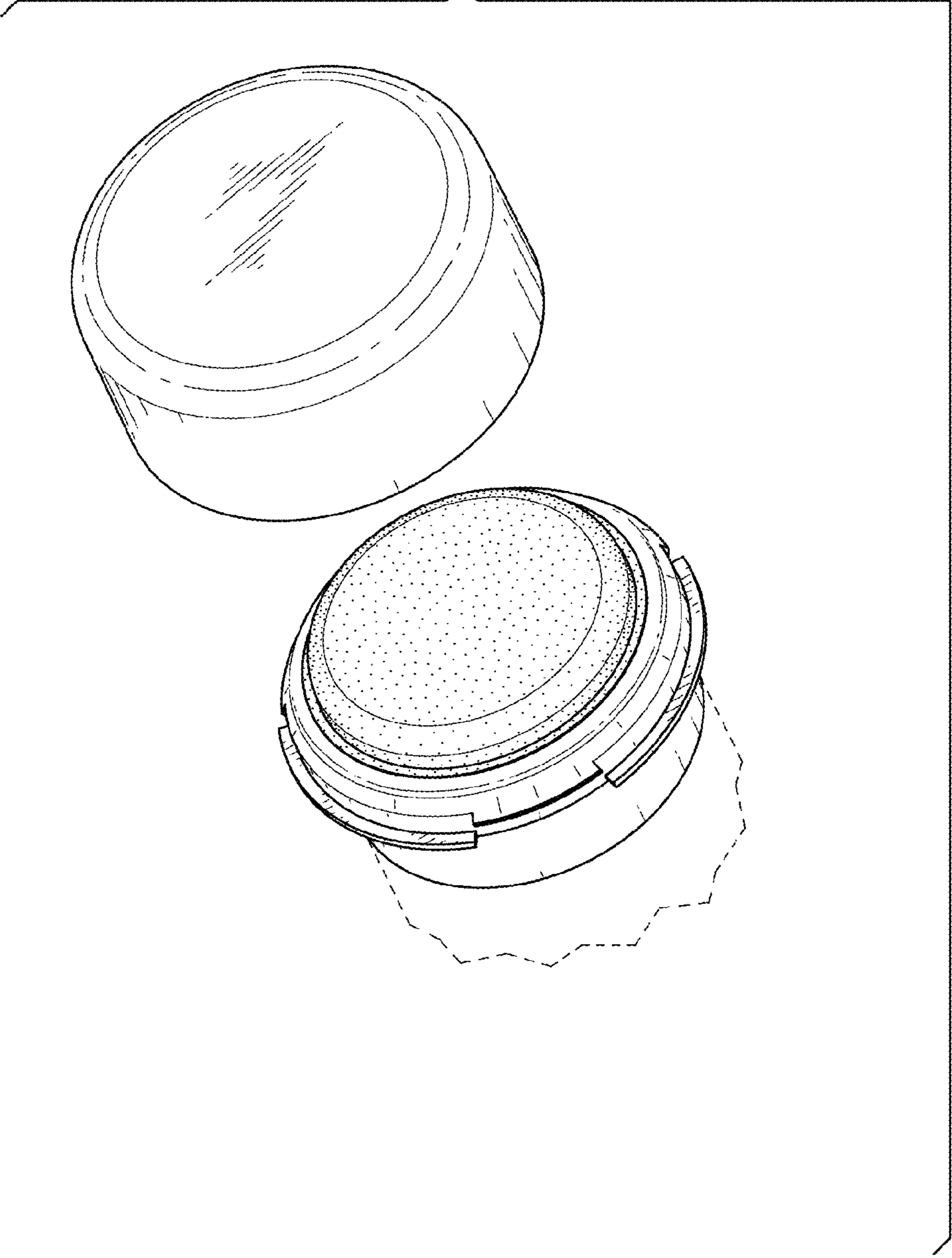


FIG. 2

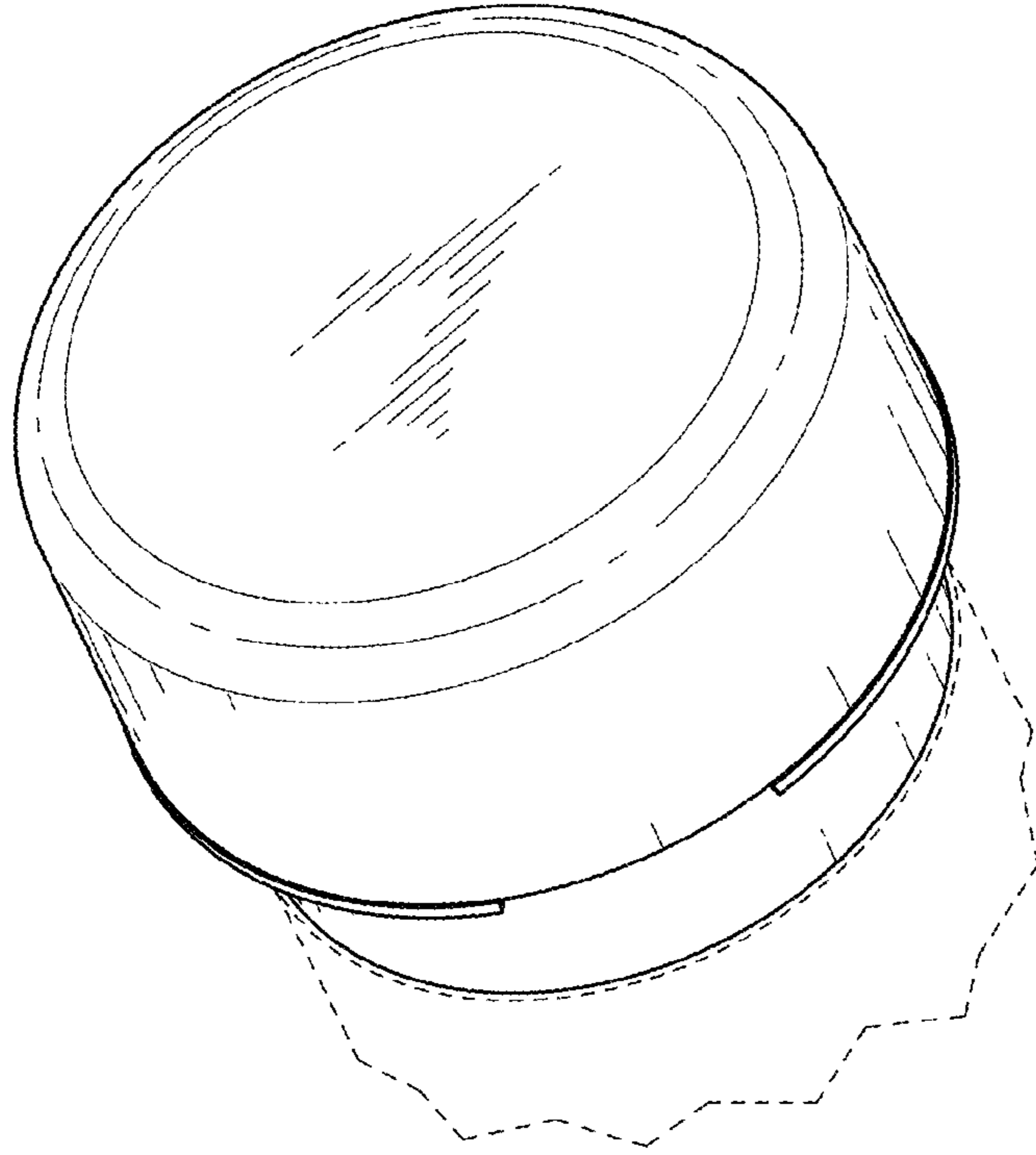


FIG. 3

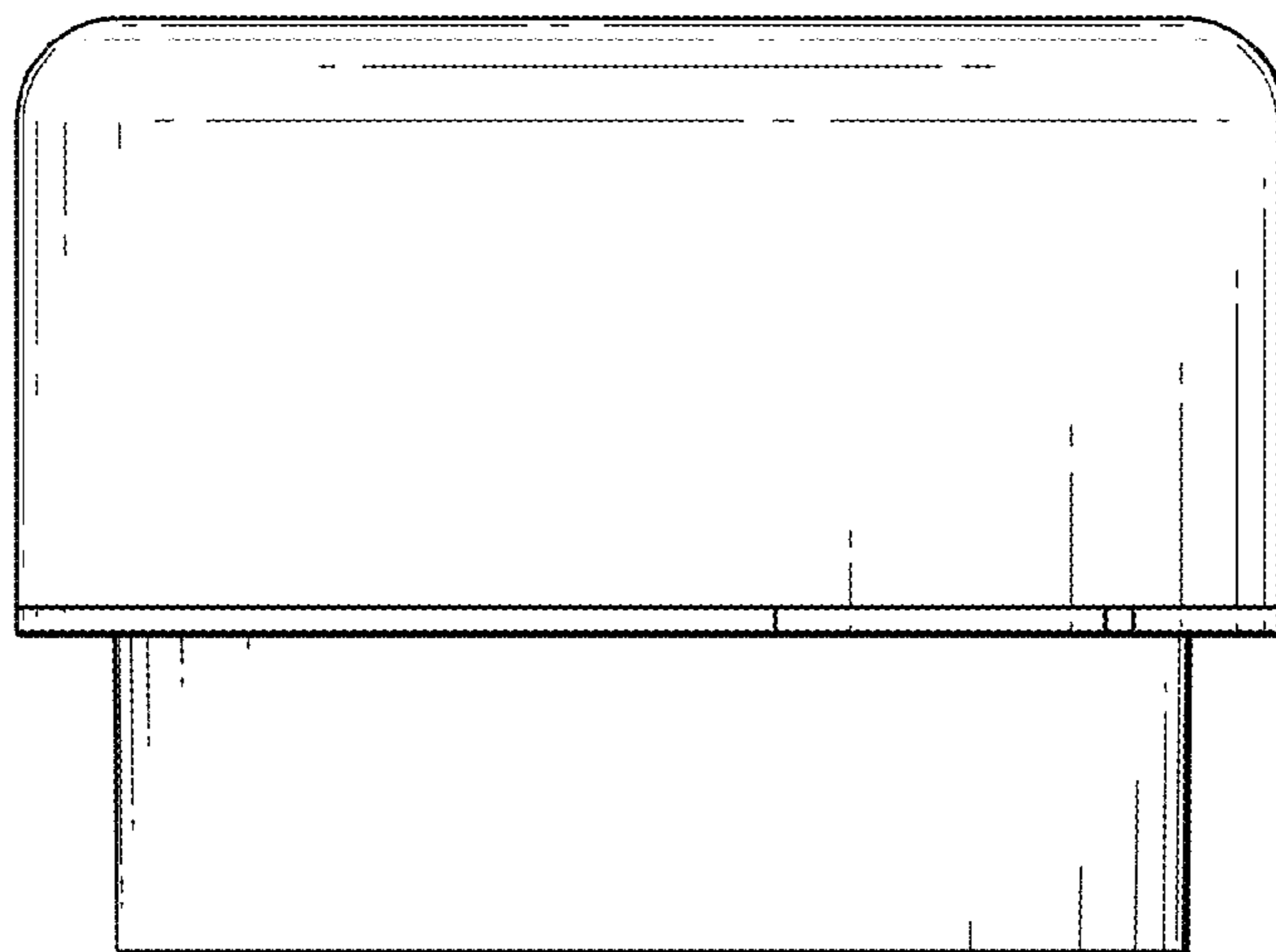


FIG. 4

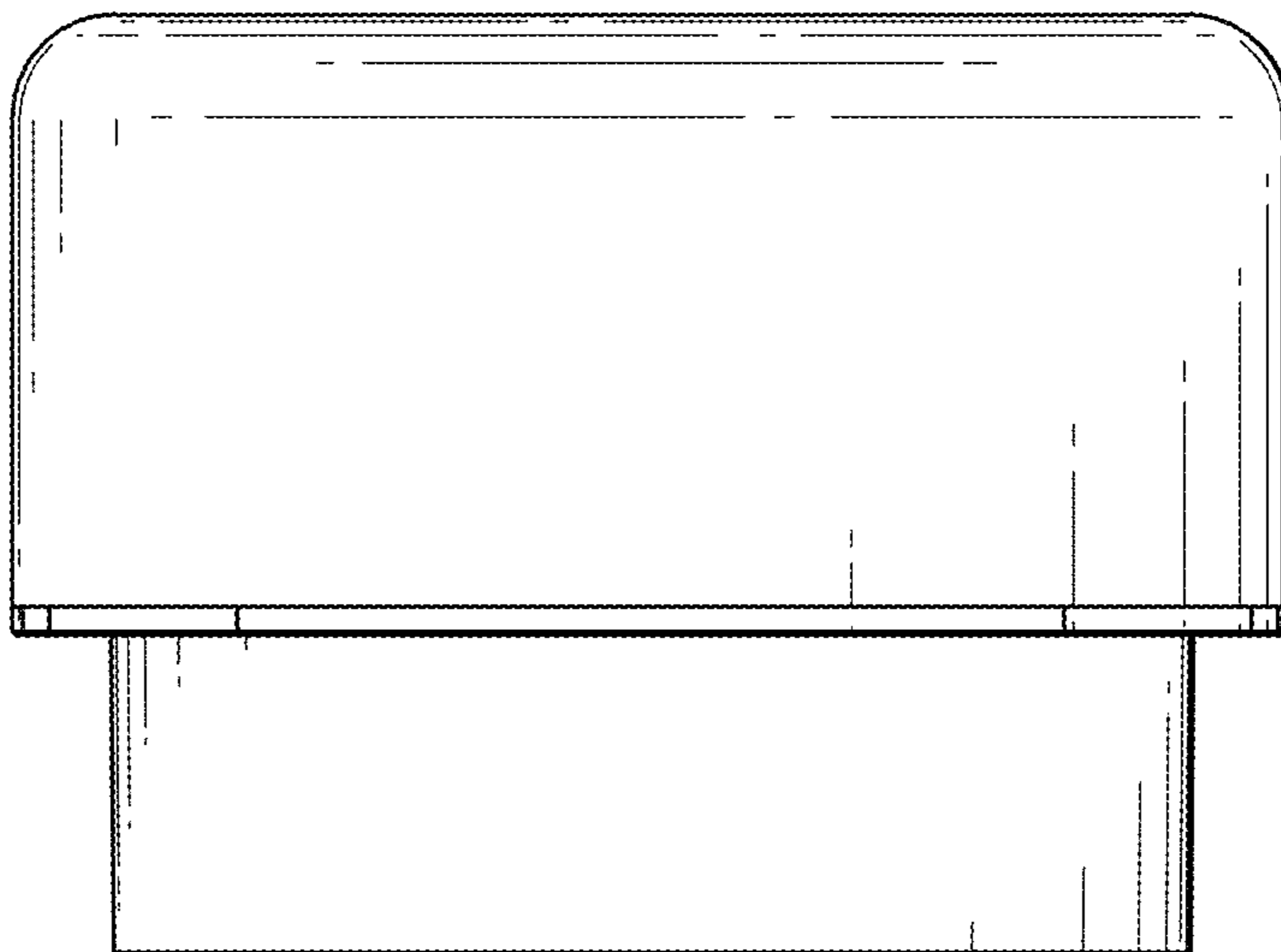


FIG. 5

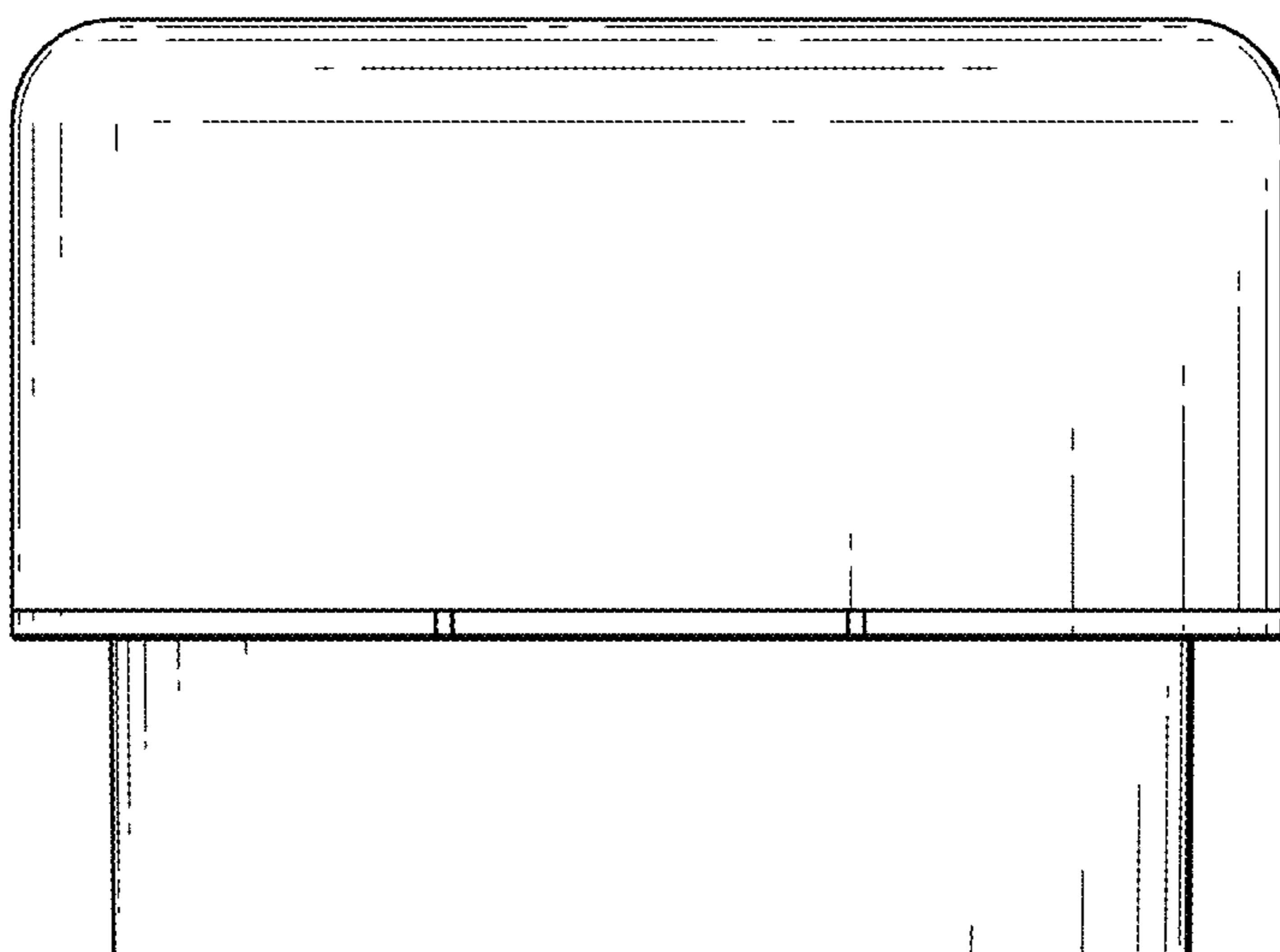


FIG. 6

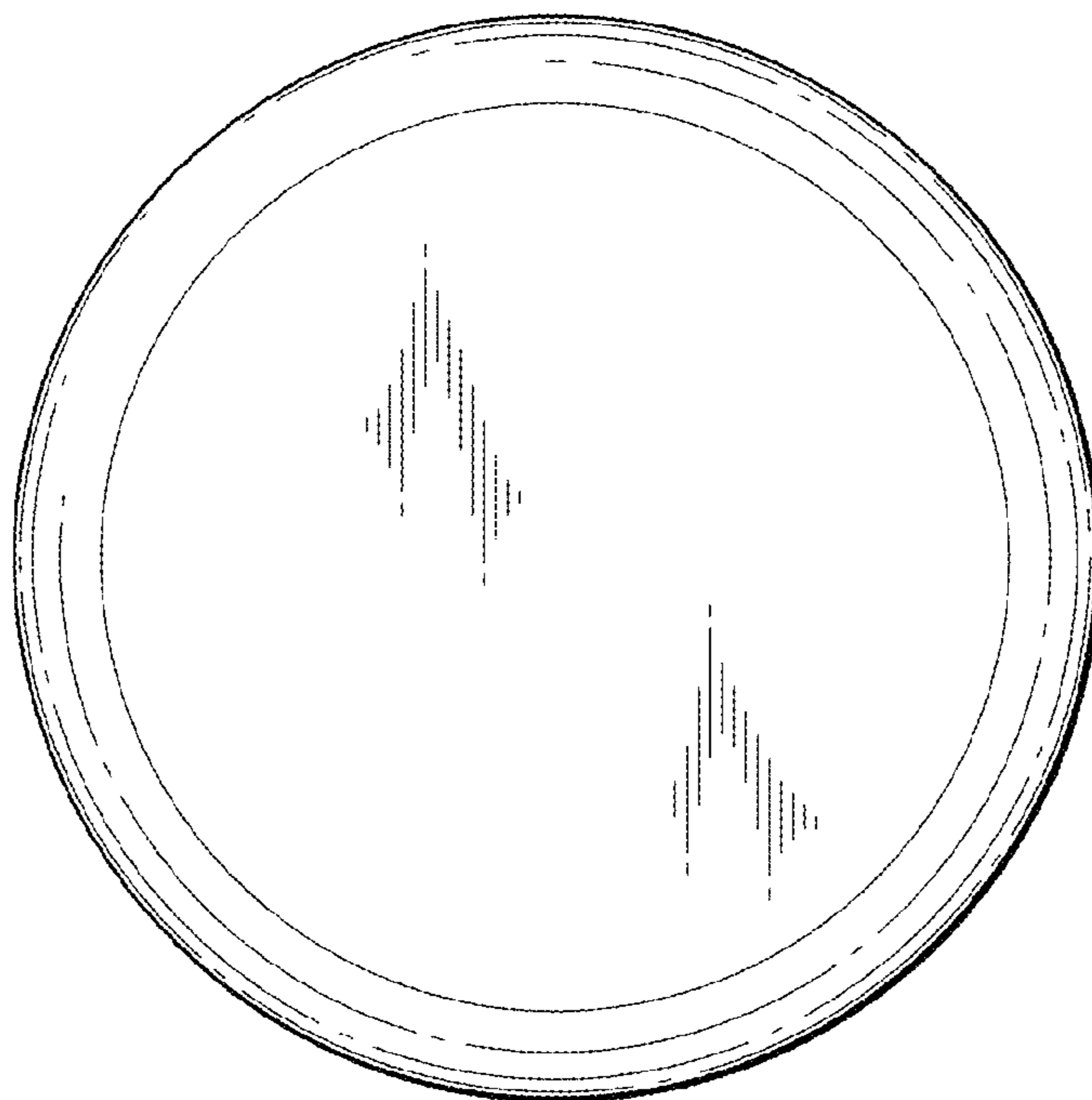


FIG. 7

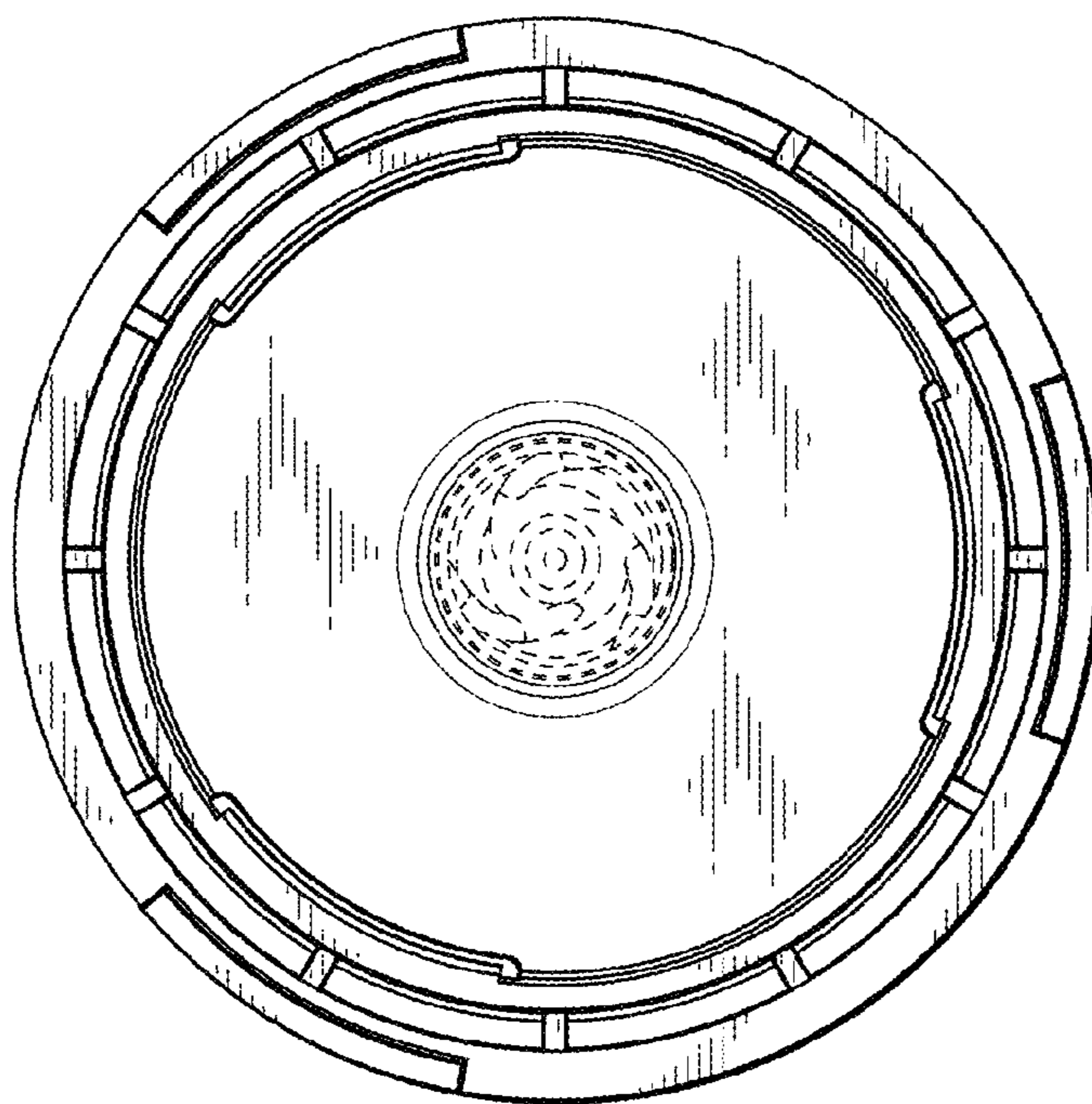


FIG. 8

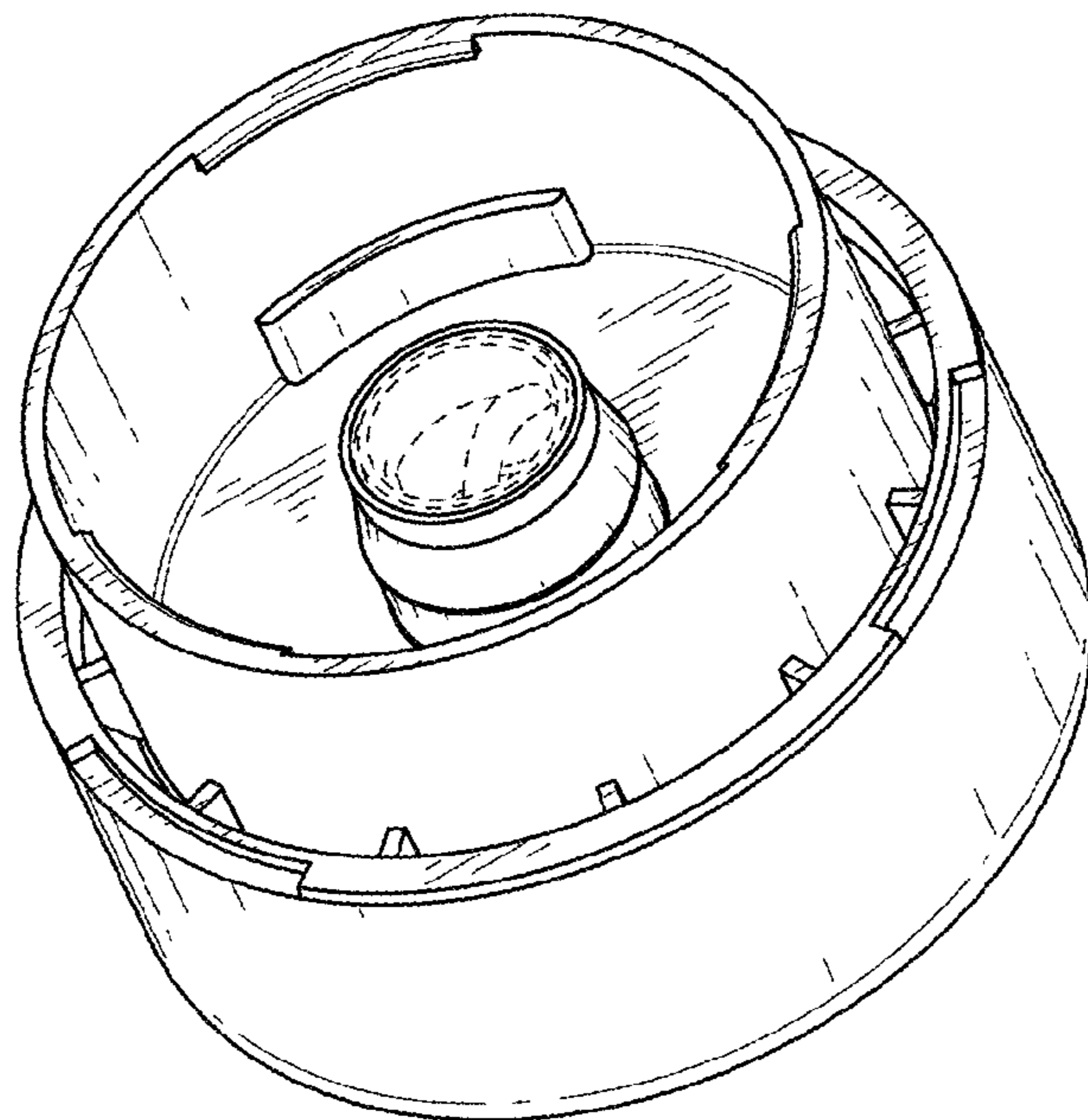


FIG. 9

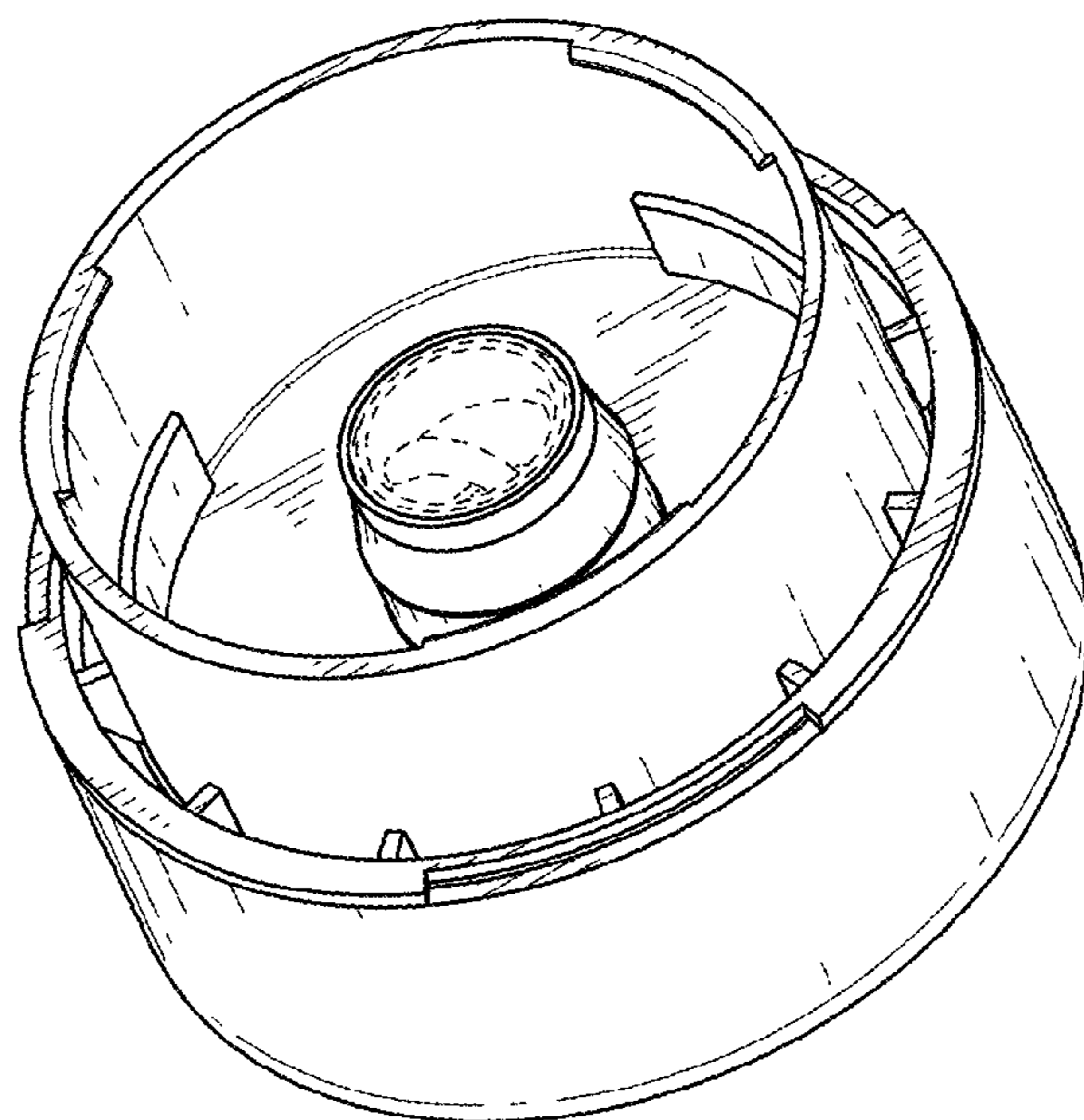


FIG. 10

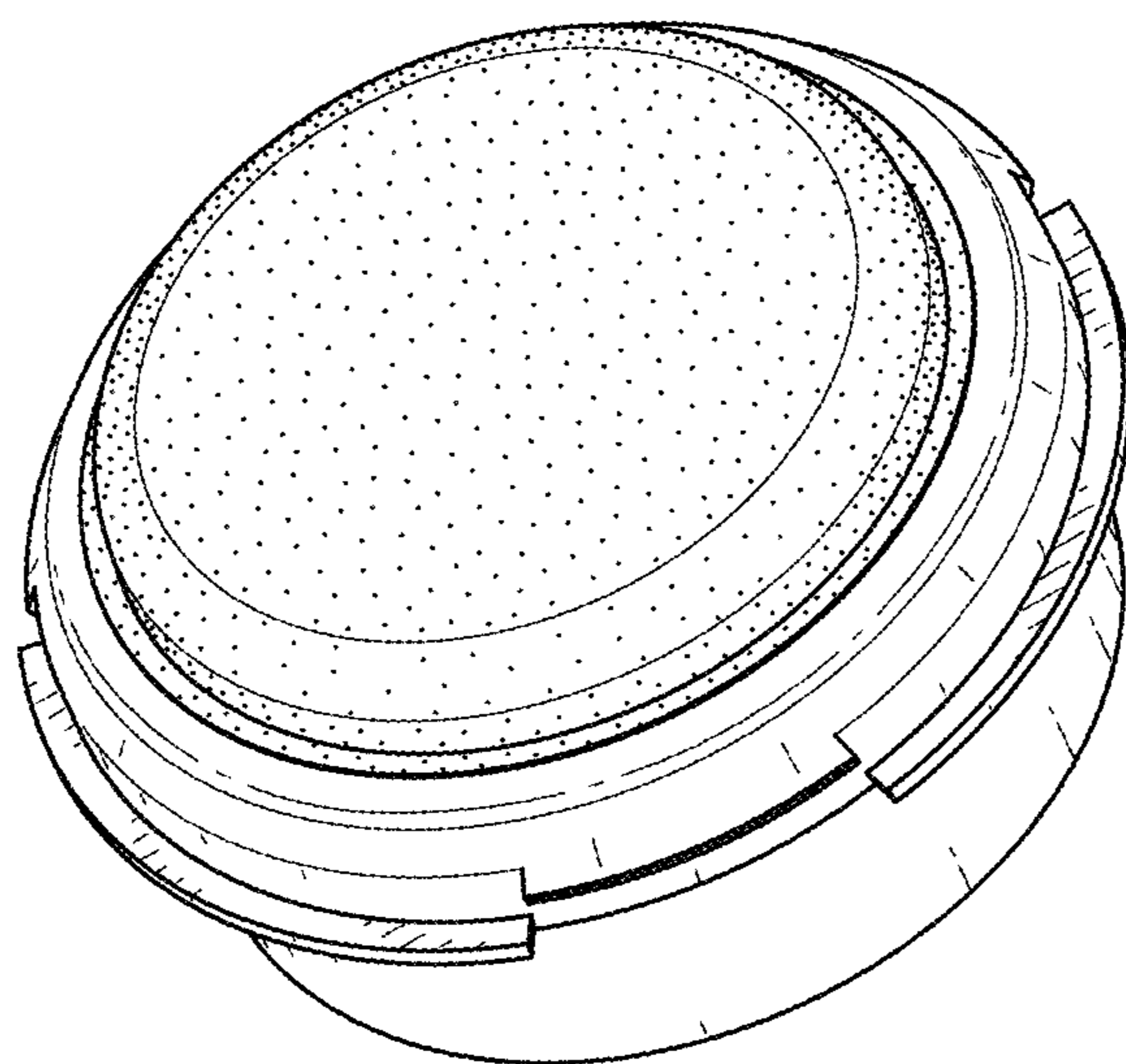


FIG. 11

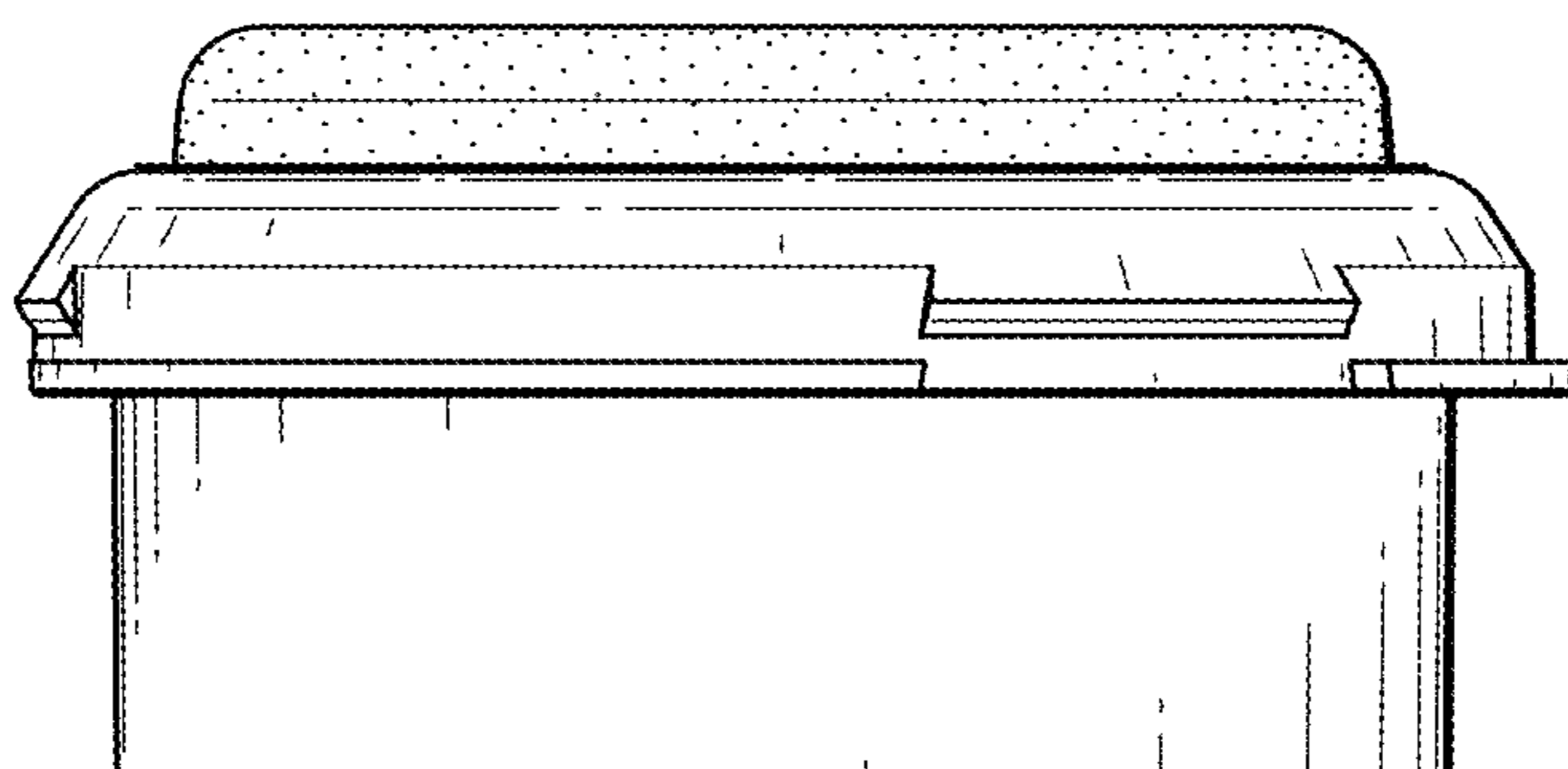


FIG. 12

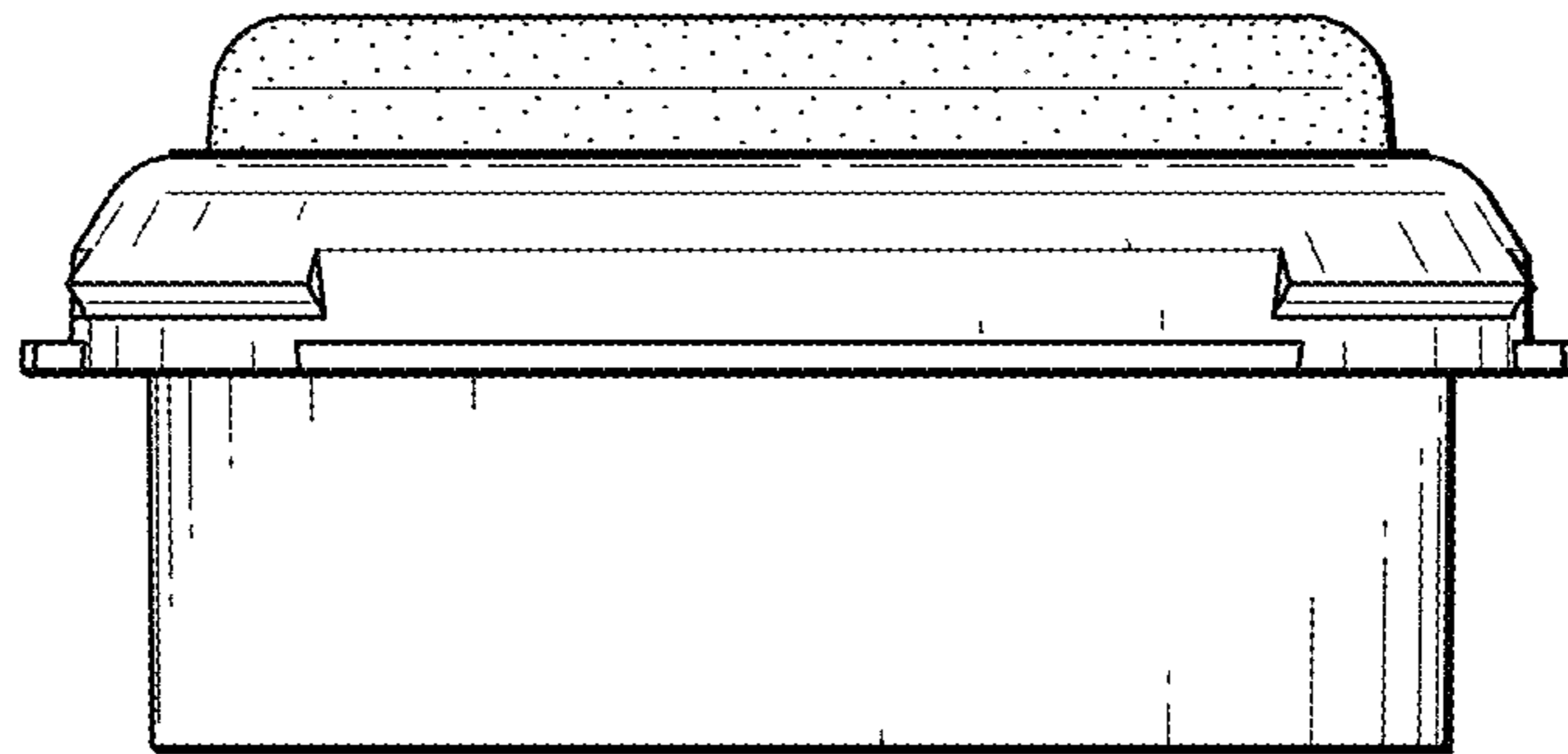


FIG. 13

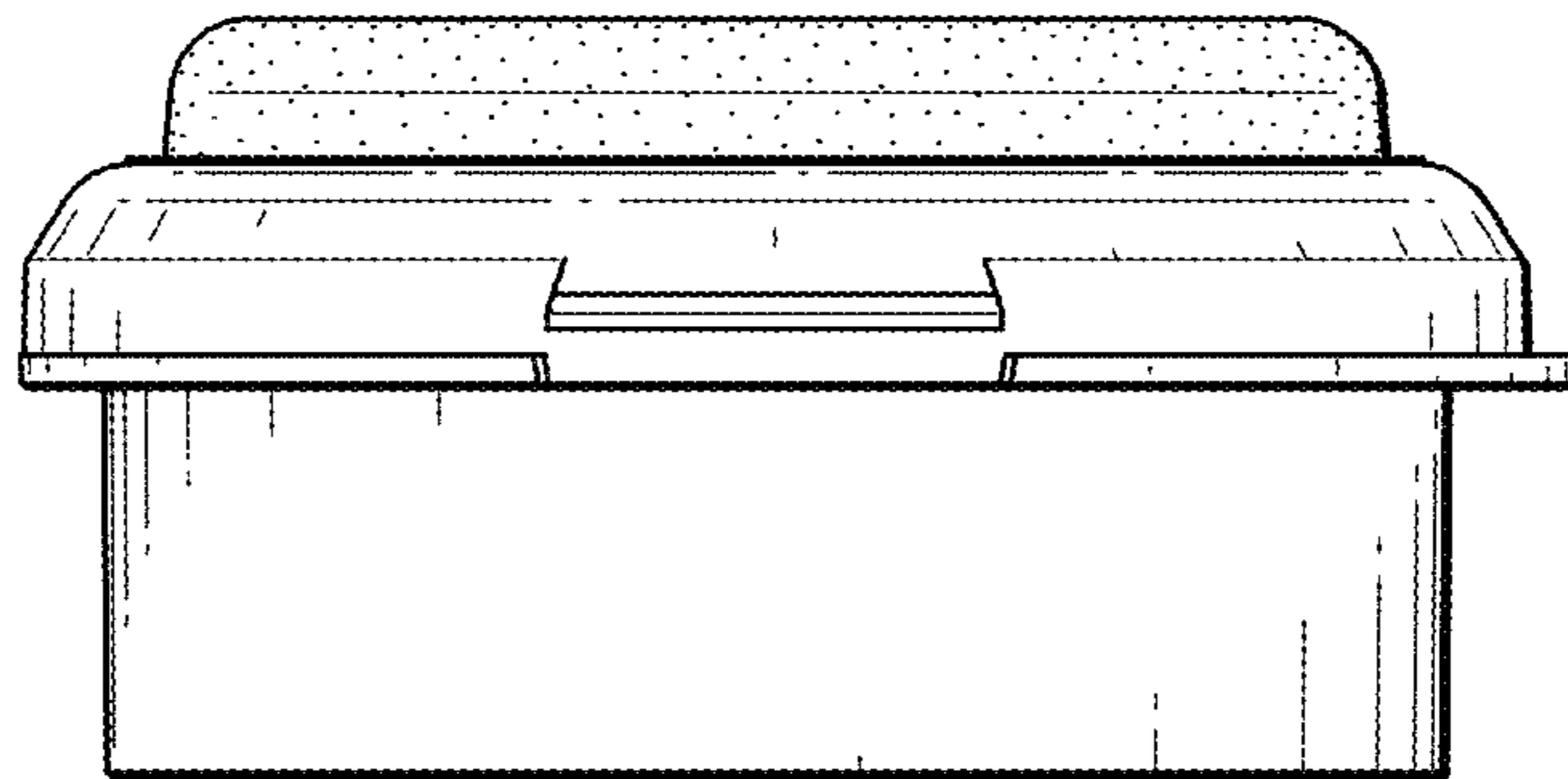


FIG. 14

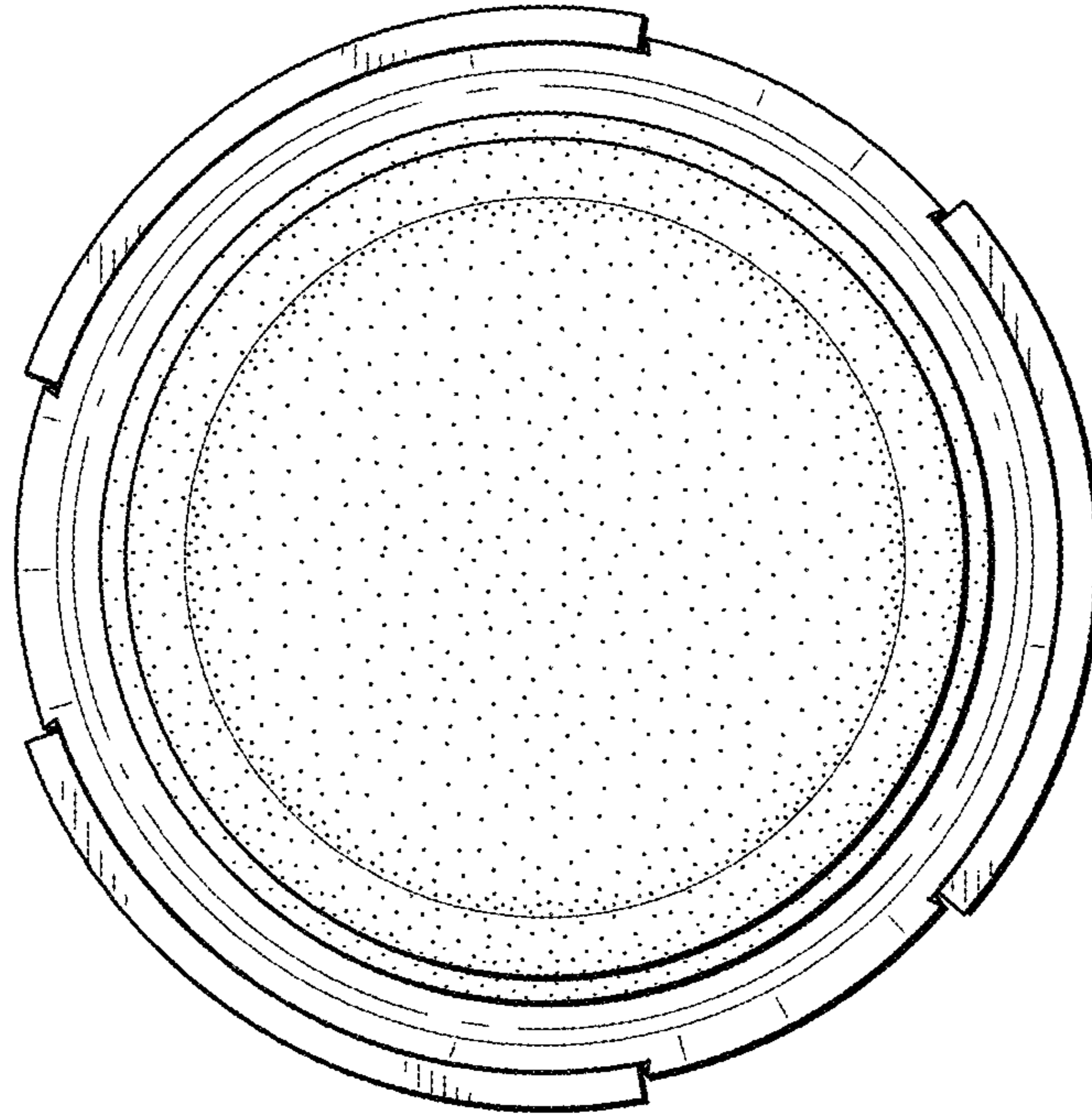


FIG. 15

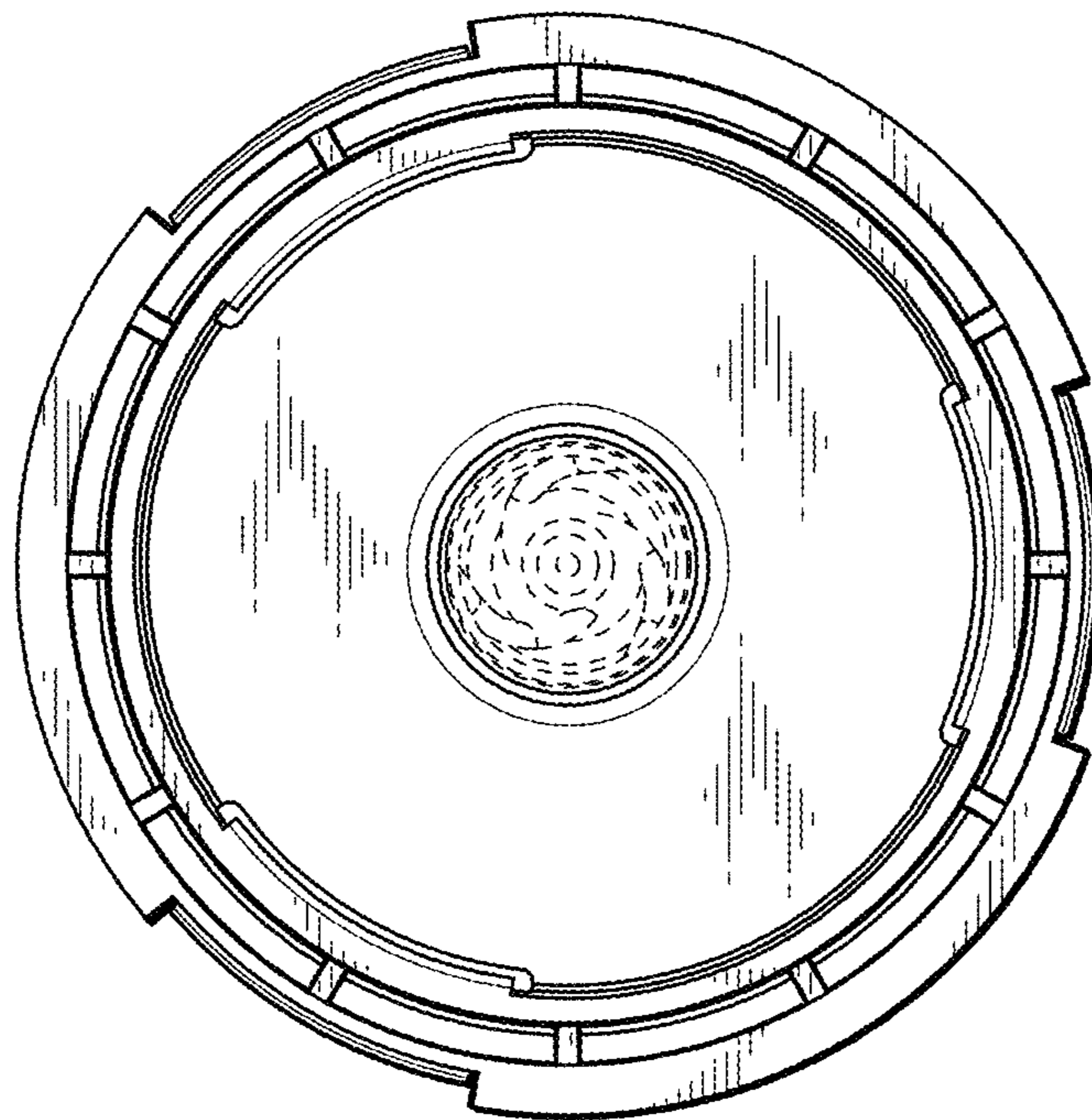


FIG. 16

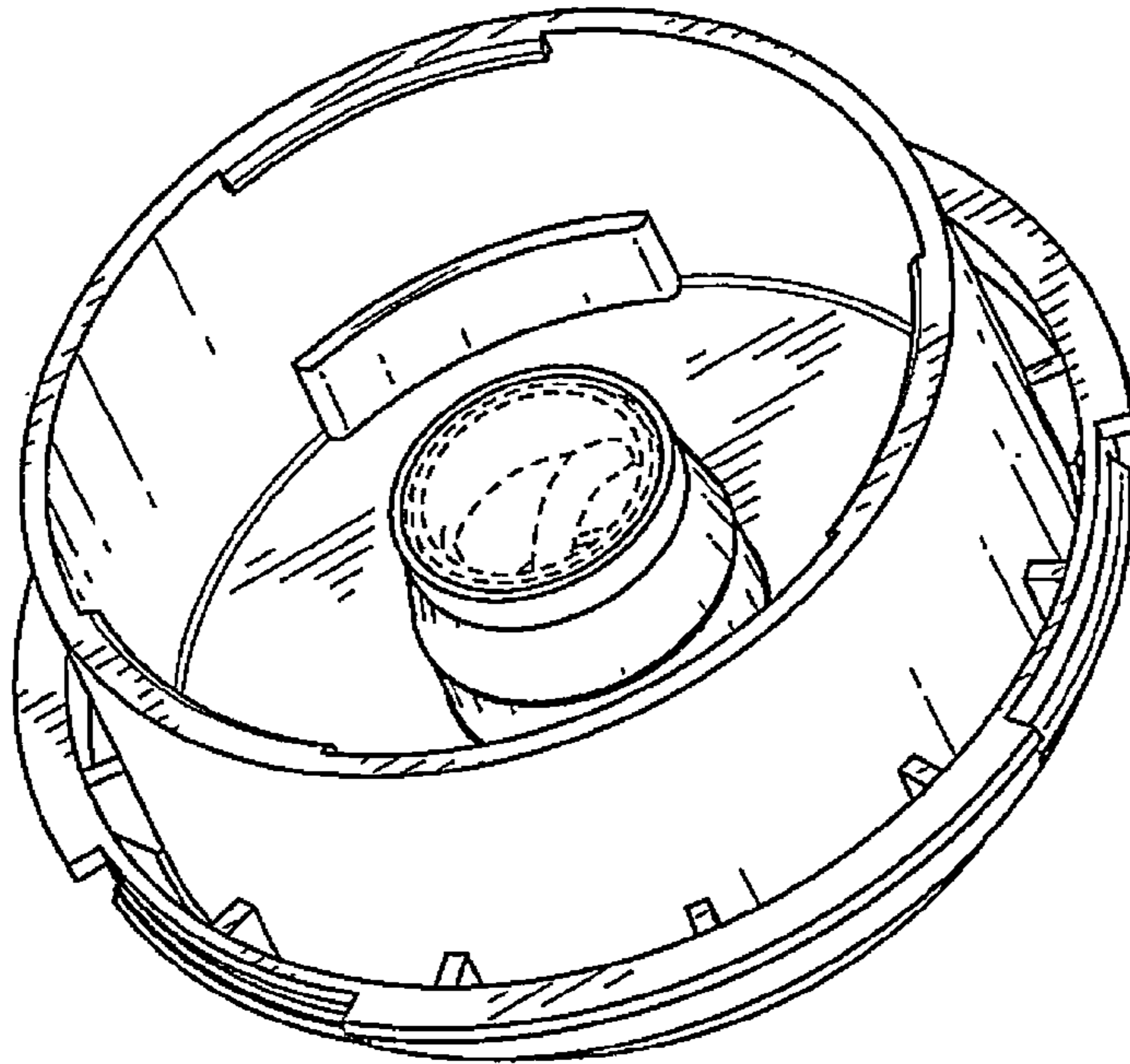


FIG. 17

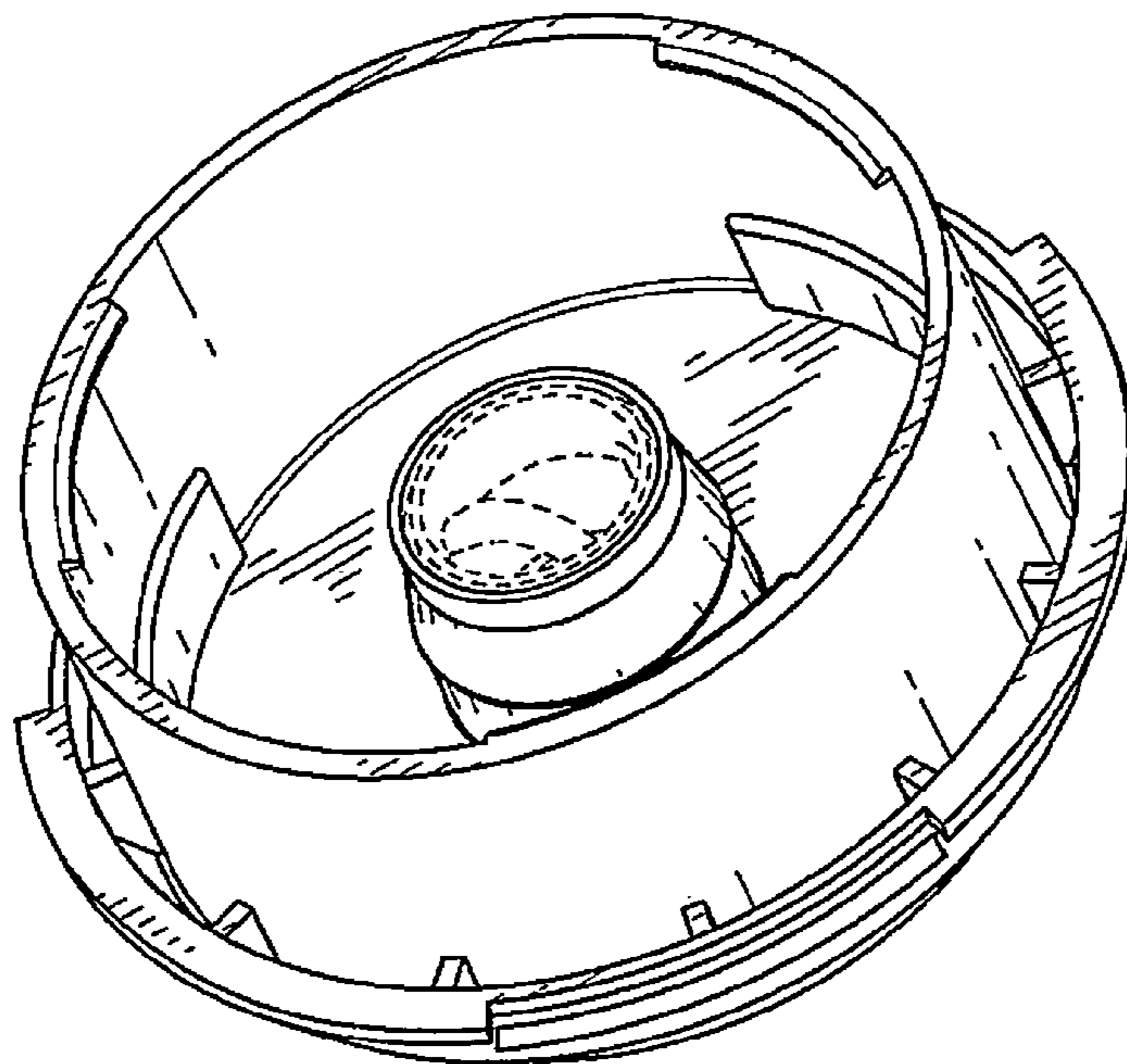


FIG. 18

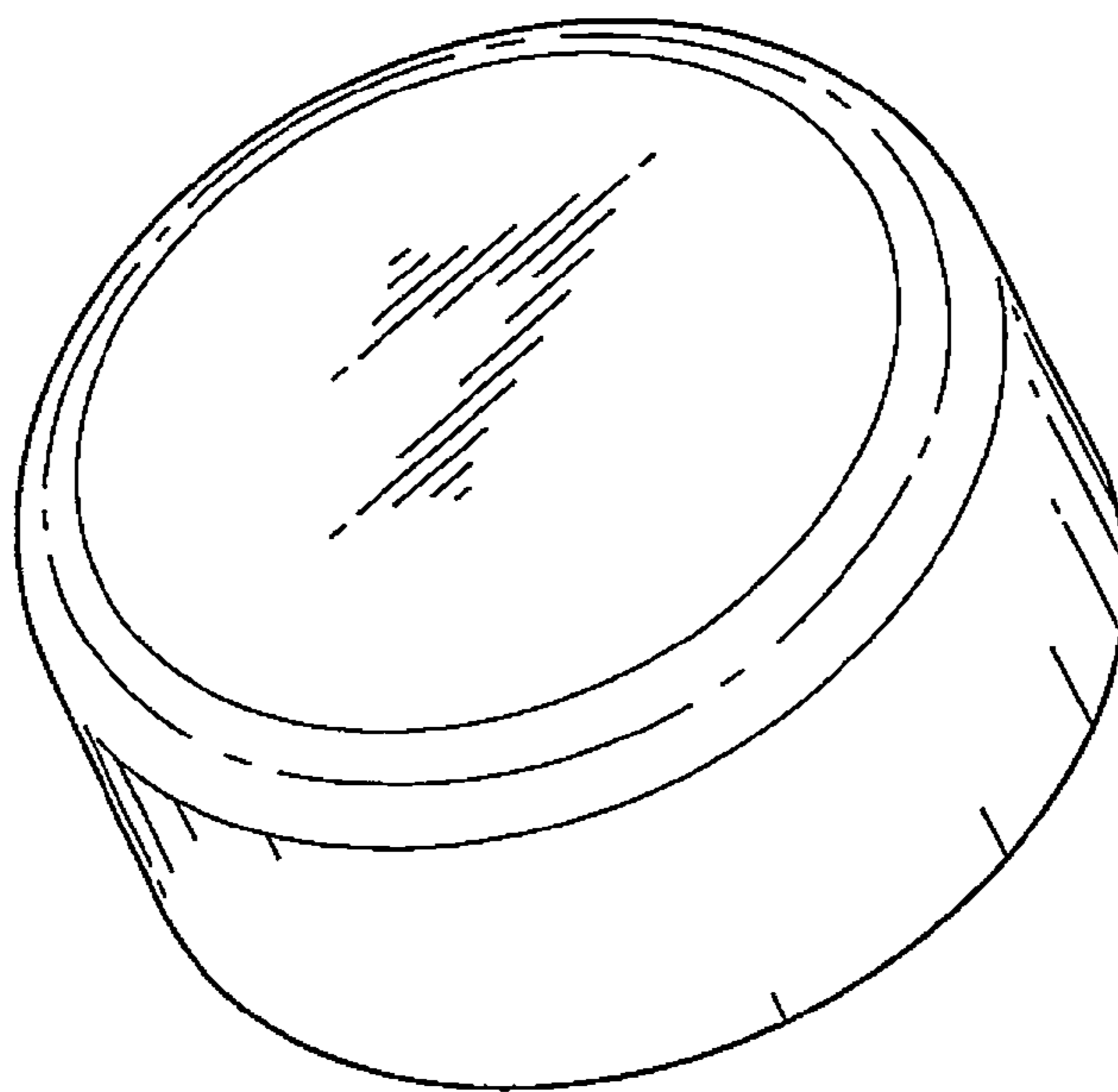


FIG. 19

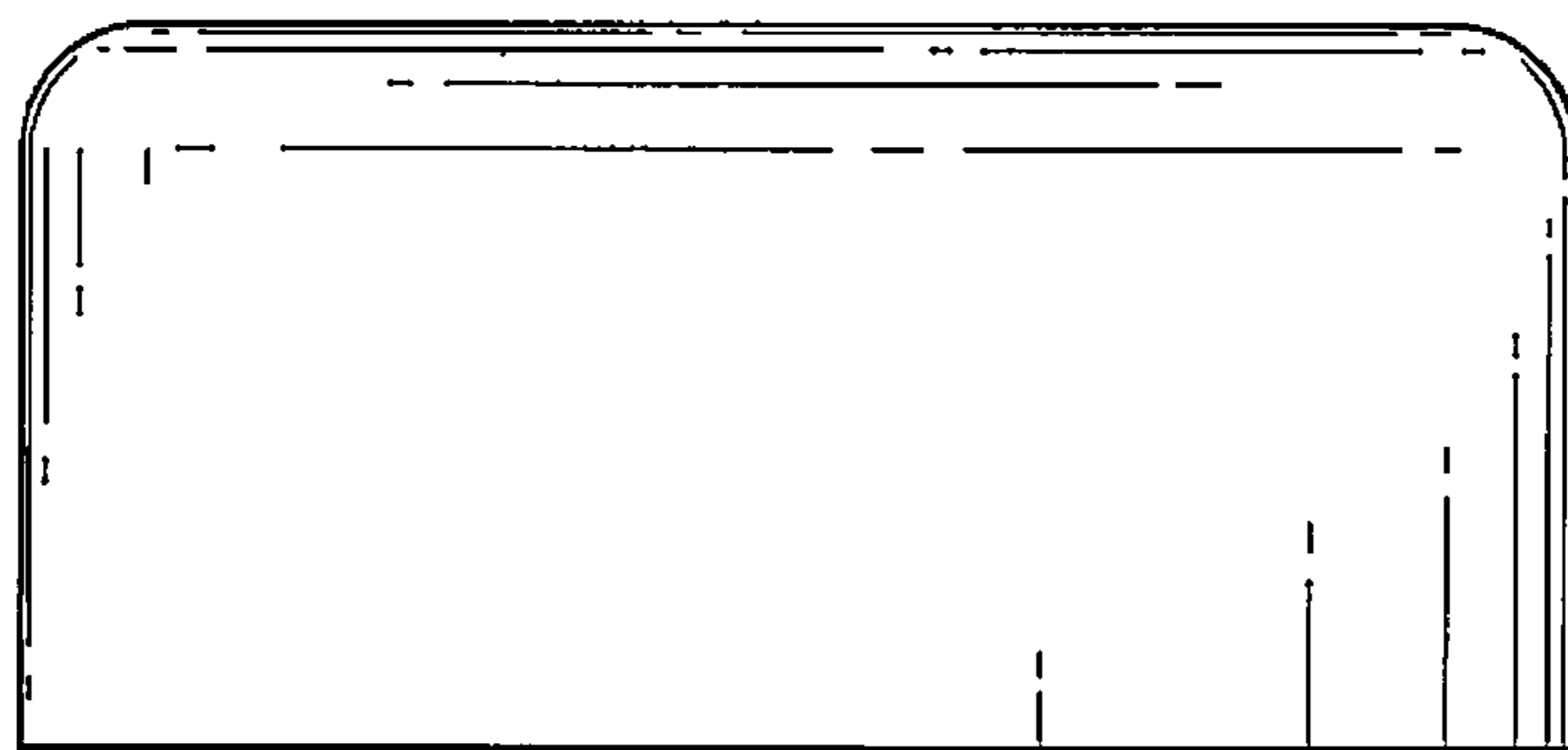


FIG. 20

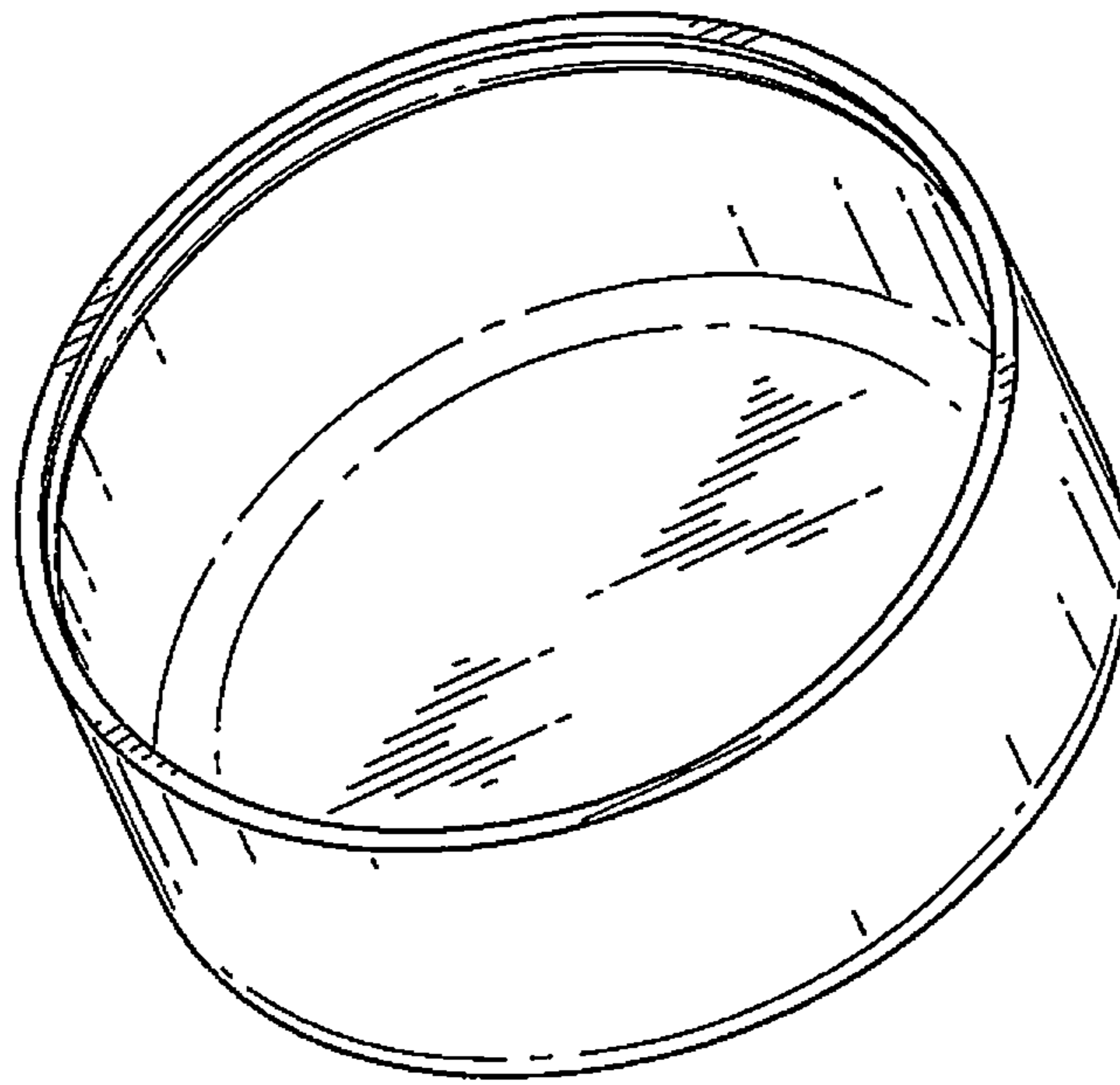


FIG. 21

