



US00D698077S

(12) **United States Design Patent**
Case et al.

(10) **Patent No.:** **US D698,077 S**
(45) **Date of Patent:** **** Jan. 21, 2014**

(54) **LIGHTING ATTACHMENT DEVICE**

(75) Inventors: **Richard N. Case**, Boulder, CO (US);
Bowden Ormsbee, Longmont, CO (US)

(73) Assignee: **Nite Ize, Inc.**, Boulder, CO (US)

(**) Term: **14 Years**

(21) Appl. No.: **29/428,536**

(22) Filed: **Jul. 31, 2012**

(51) **LOC (10) Cl.** **26-99**

(52) **U.S. Cl.**

USPC **D26/142**

(58) **Field of Classification Search**

USPC D26/25, 26, 28, 31, 35, 36, 37, 41, 42,
D26/50, 51, 52, 64, 66, 67, 73, 75, 78, 85,
D26/88, 89, 90, 103-106, 109, 110, 119,
D26/123, 125, 129, 131, 135, 136, 138, 140,
D26/143, 144; D13/179, 180; 362/92, 130,
362/132, 133, 183, 184, 190, 205, 216,
362/217.05, 218, 220, 223, 224, 241, 247,
362/249.03, 249.05-249.1, 249.11, 258,
362/260, 285, 287, 294.02, 297, 327, 345,
362/354, 373-379, 410, 418, 419, 510, 516,
362/558, 561; 248/339, 557, 558; D8/354,
D8/373, 377, 382; D25/60, 119, 124, 125;
52/455; 349/59-62, 64-67, 113;
438/15; 345/102; D12/406; D10/111,
D10/114.1; D11/121, 125, 144, 145;
428/11; 257/96, 97, 98, 99

See application file for complete search history.

(56) **References Cited**

U.S. PATENT DOCUMENTS

5,103,384 A * 4/1992 Drohan 362/191
D354,677 S * 1/1995 Troyer D8/396

D358,679 S * 5/1995 Garrity D26/138
D414,291 S * 9/1999 Gary et al. D26/138
6,764,194 B1 * 7/2004 Cooper 362/105
D526,079 S * 8/2006 Heun D26/60
7,572,024 B2 * 8/2009 Ko et al. 362/92
D607,917 S * 1/2010 Darrow D16/244
D614,345 S * 4/2010 Bertken D26/138
D632,838 S * 2/2011 Cunius D26/138

* cited by examiner

Primary Examiner — Zenia Bennett

(74) *Attorney, Agent, or Firm* — Patton Boggs LLP

(57) **CLAIM**

The ornamental design for a lighting attachment device, as shown and described.

DESCRIPTION

FIG. 1 is a front perspective view of one embodiment of a lighting attachment device;
FIG. 2 is a back perspective view of the lighting attachment device of FIG. 1;
FIG. 3 is a symmetrical side view of the lighting attachment device of FIG. 1;
FIG. 4 is a symmetrical front view of the lighting attachment device of FIG. 1;
FIG. 5 is a top view of the lighting attachment device of FIG. 1;
FIG. 6 is a bottom view of the lighting attachment device of FIG. 1;
FIG. 7 is an open view of the lighting attachment device of FIG. 1 in use; and,
FIG. 8 is a closed view of the lighting attachment device of FIG. 1 in use.

1 Claim, 7 Drawing Sheets

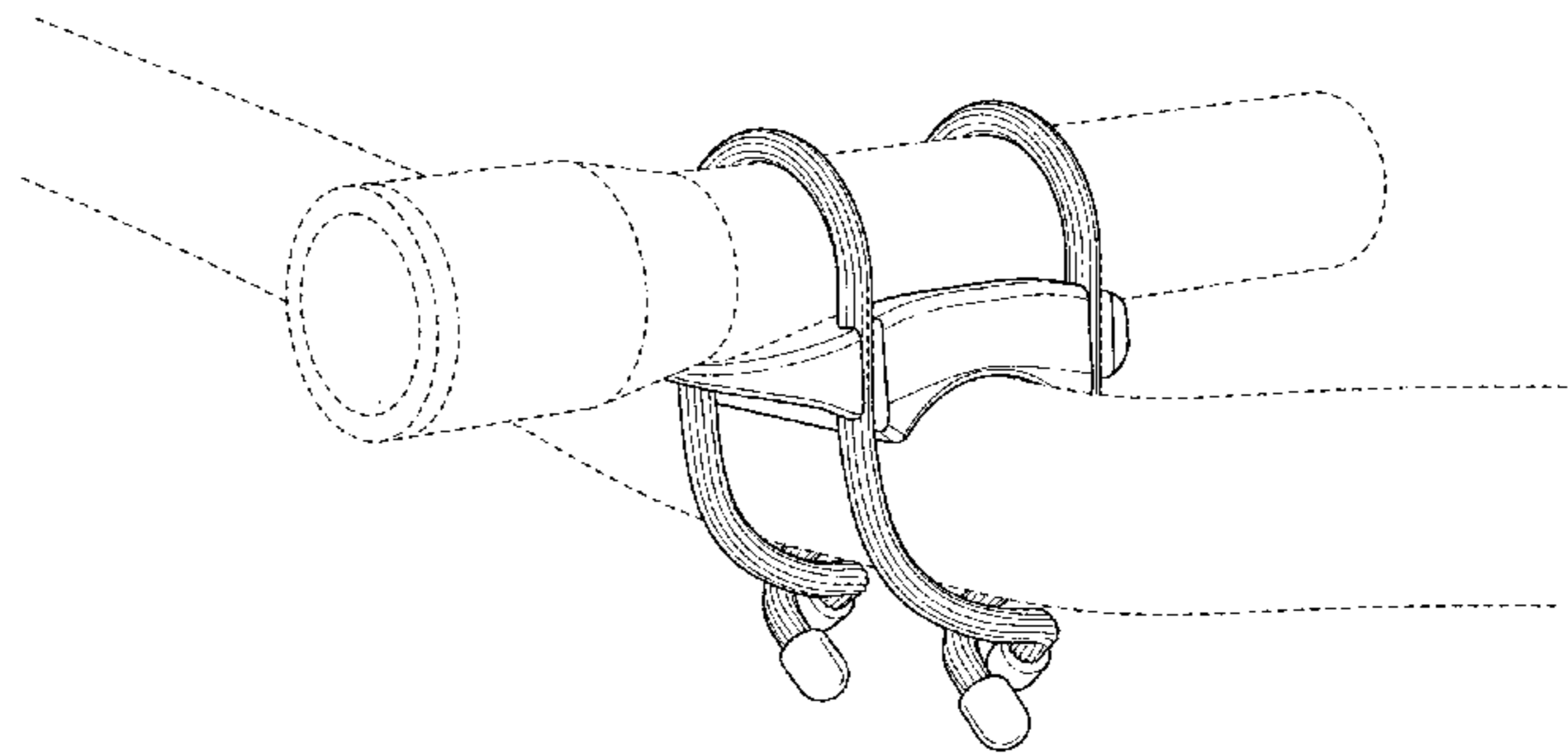
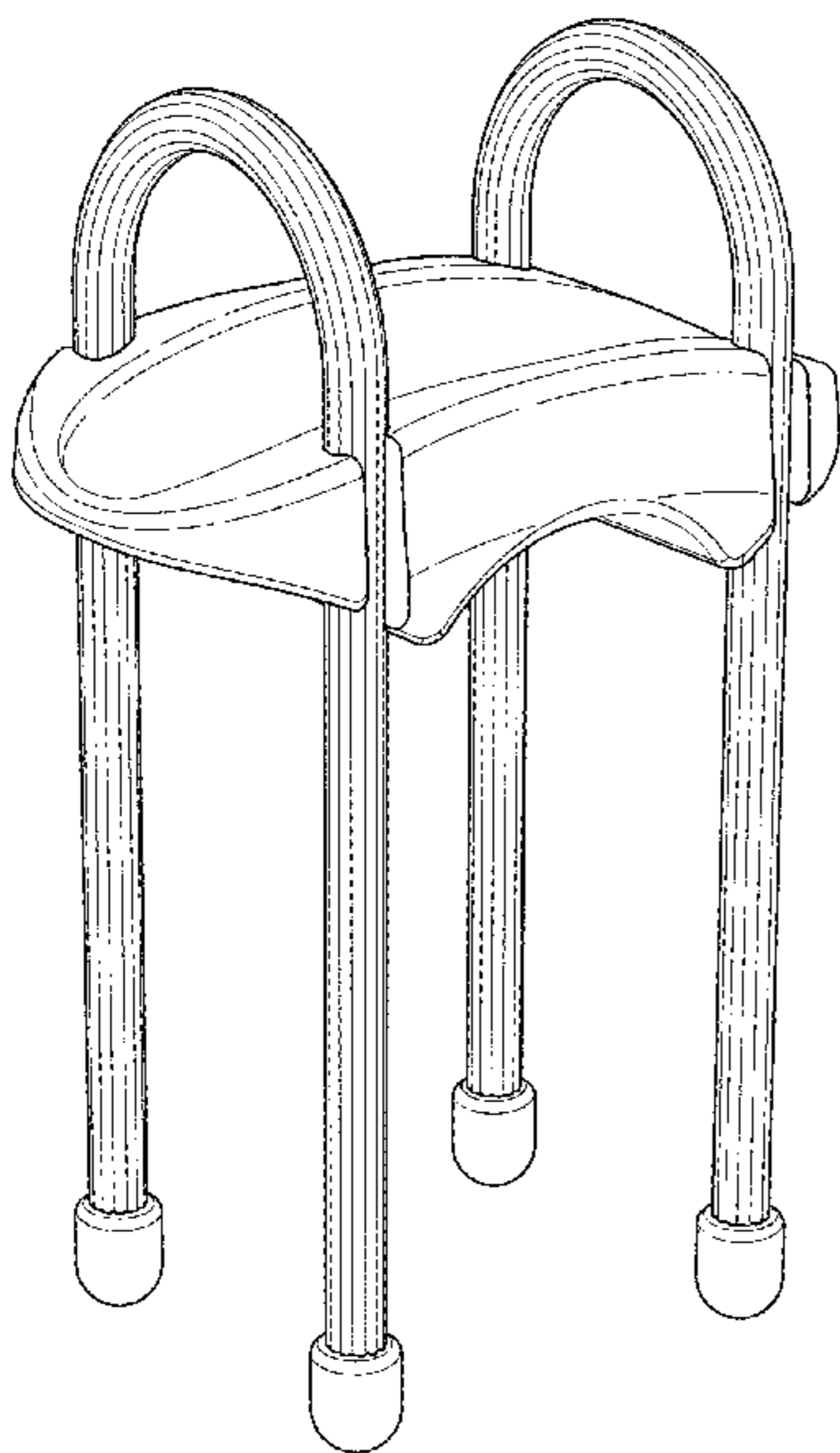


FIG. 1

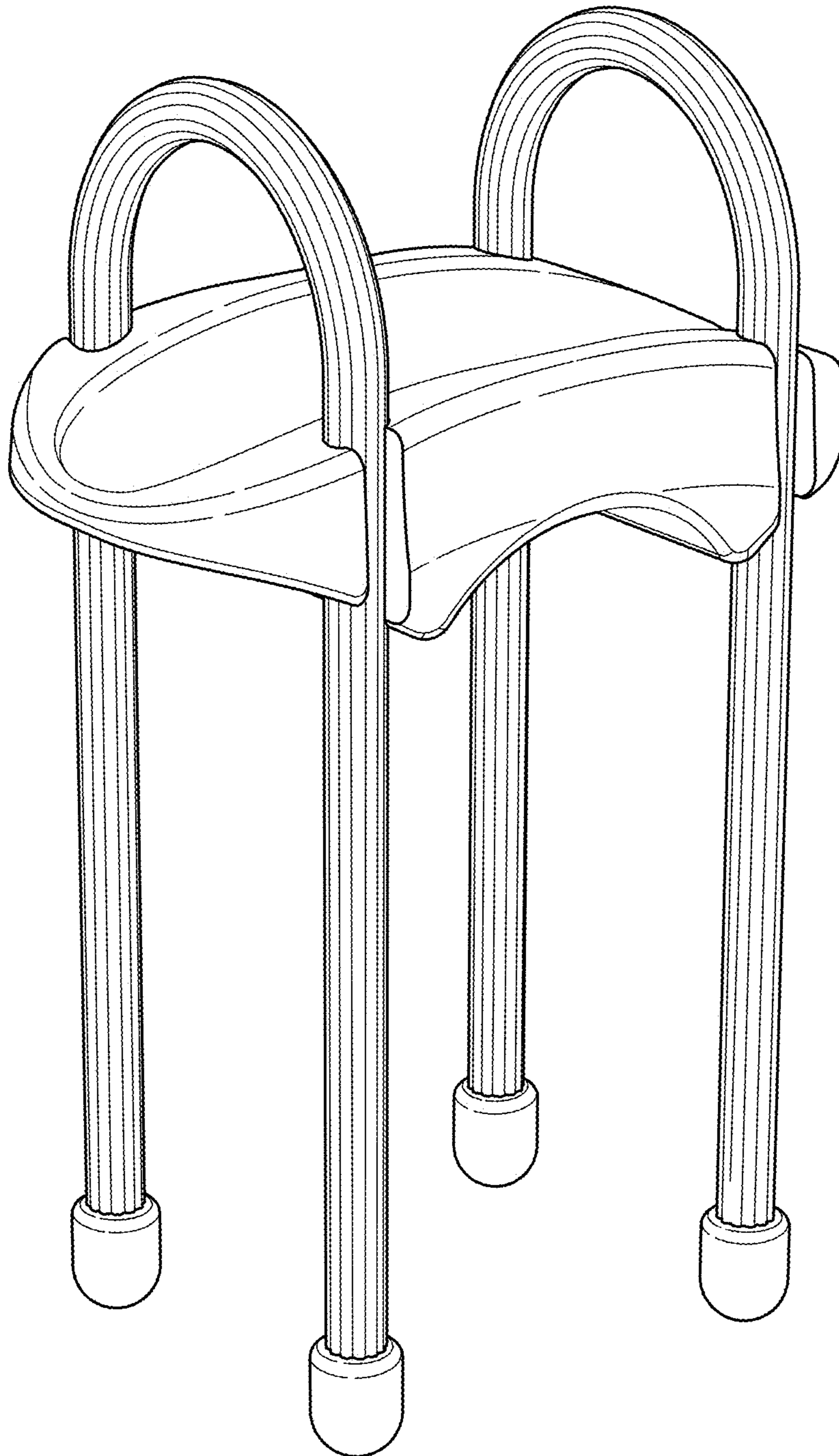


FIG. 2

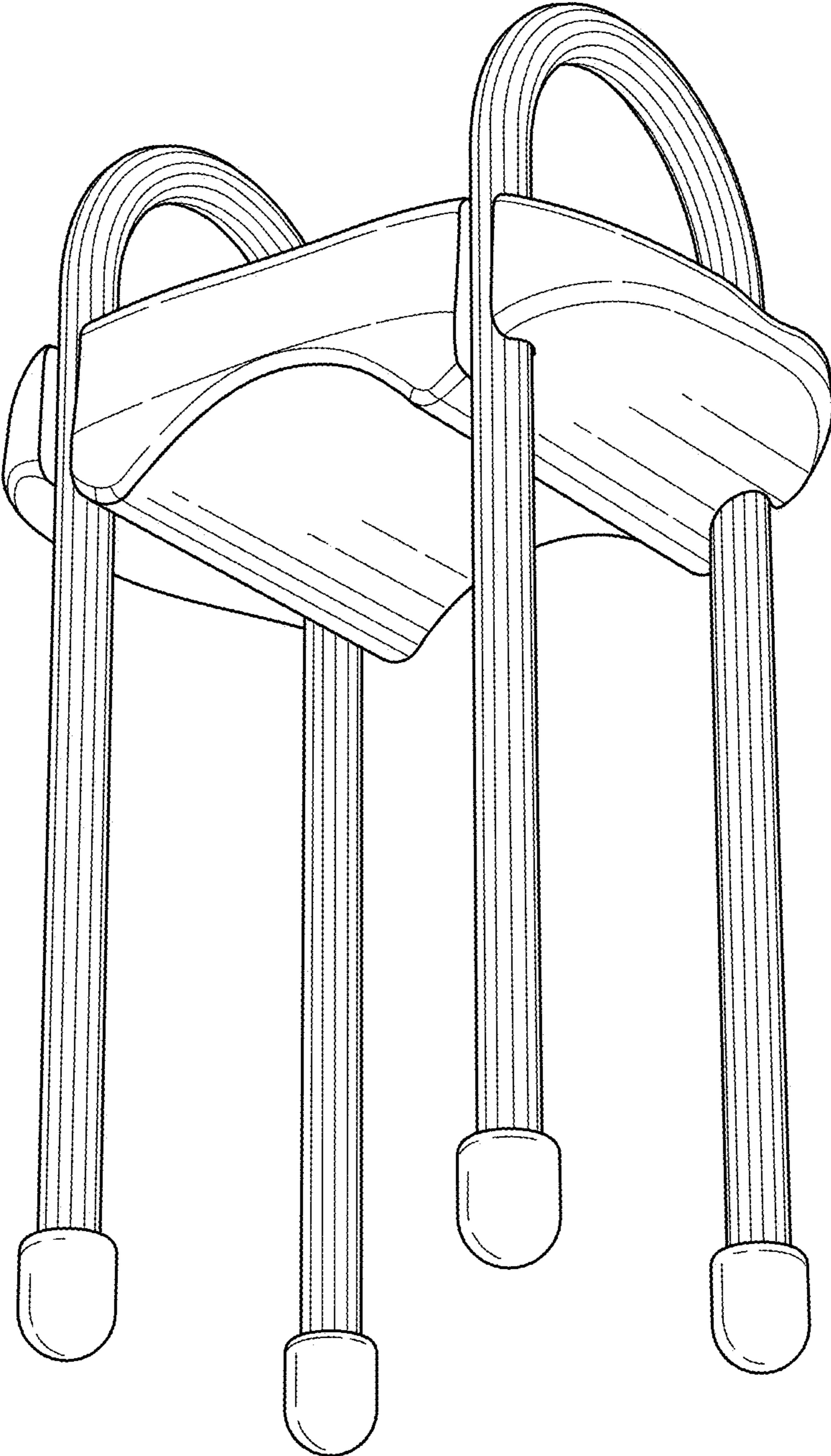


FIG. 3

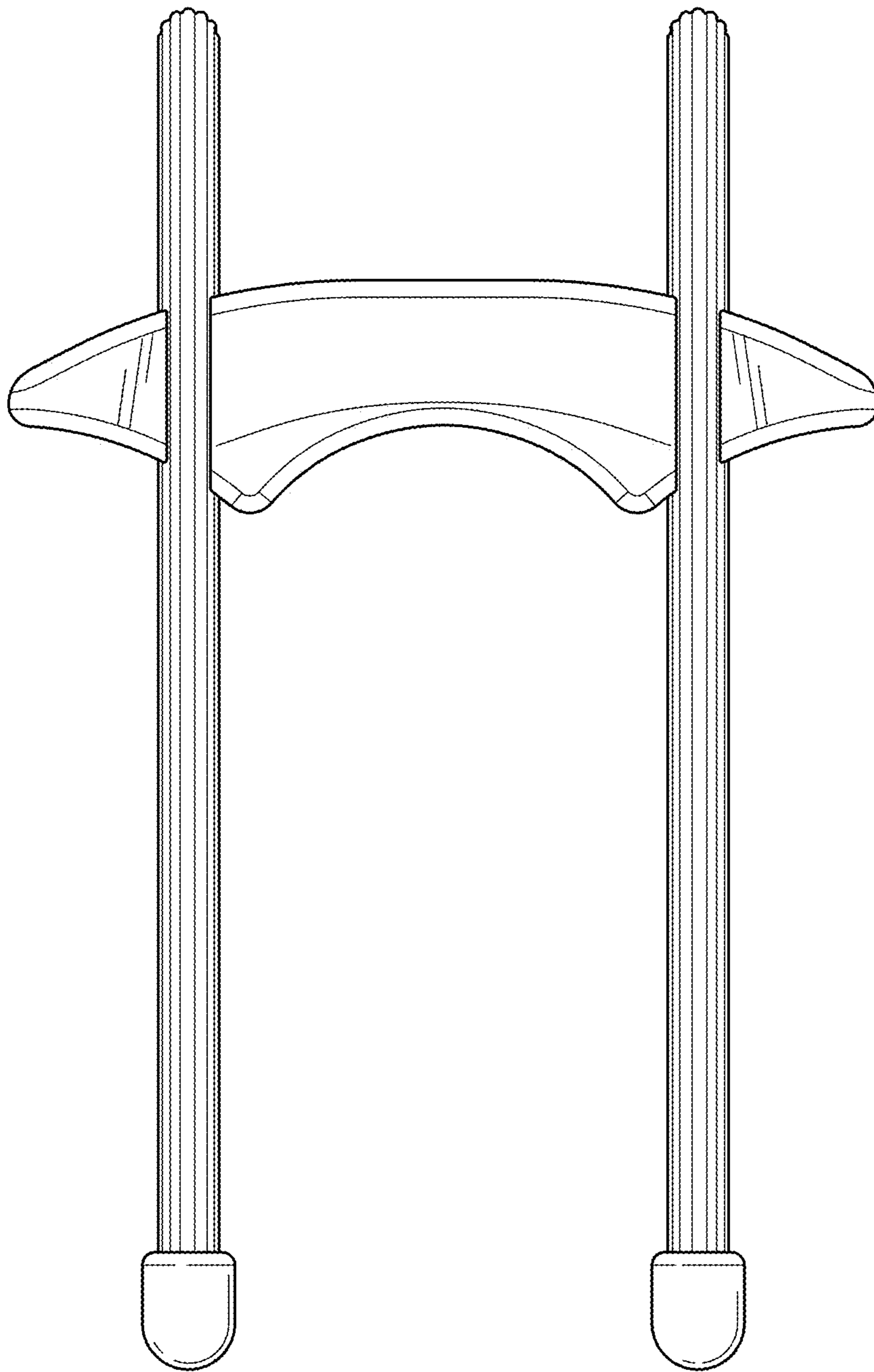


FIG. 4

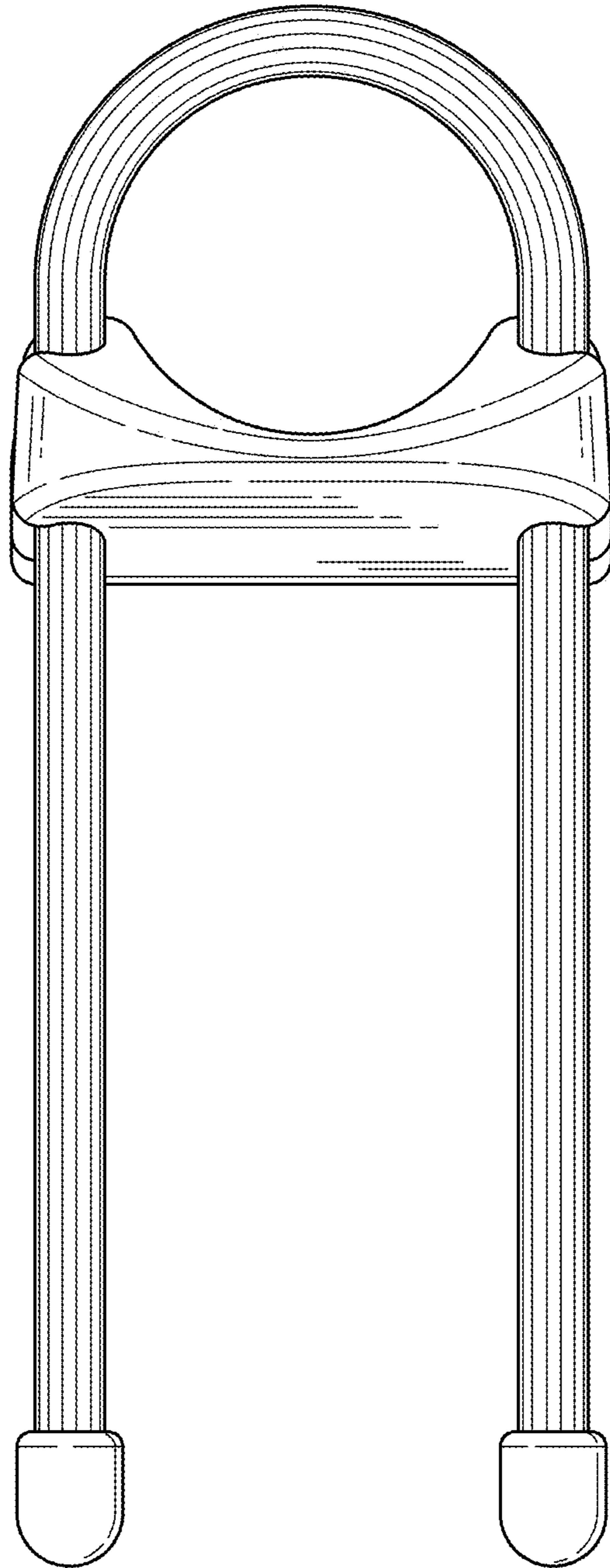


FIG. 5

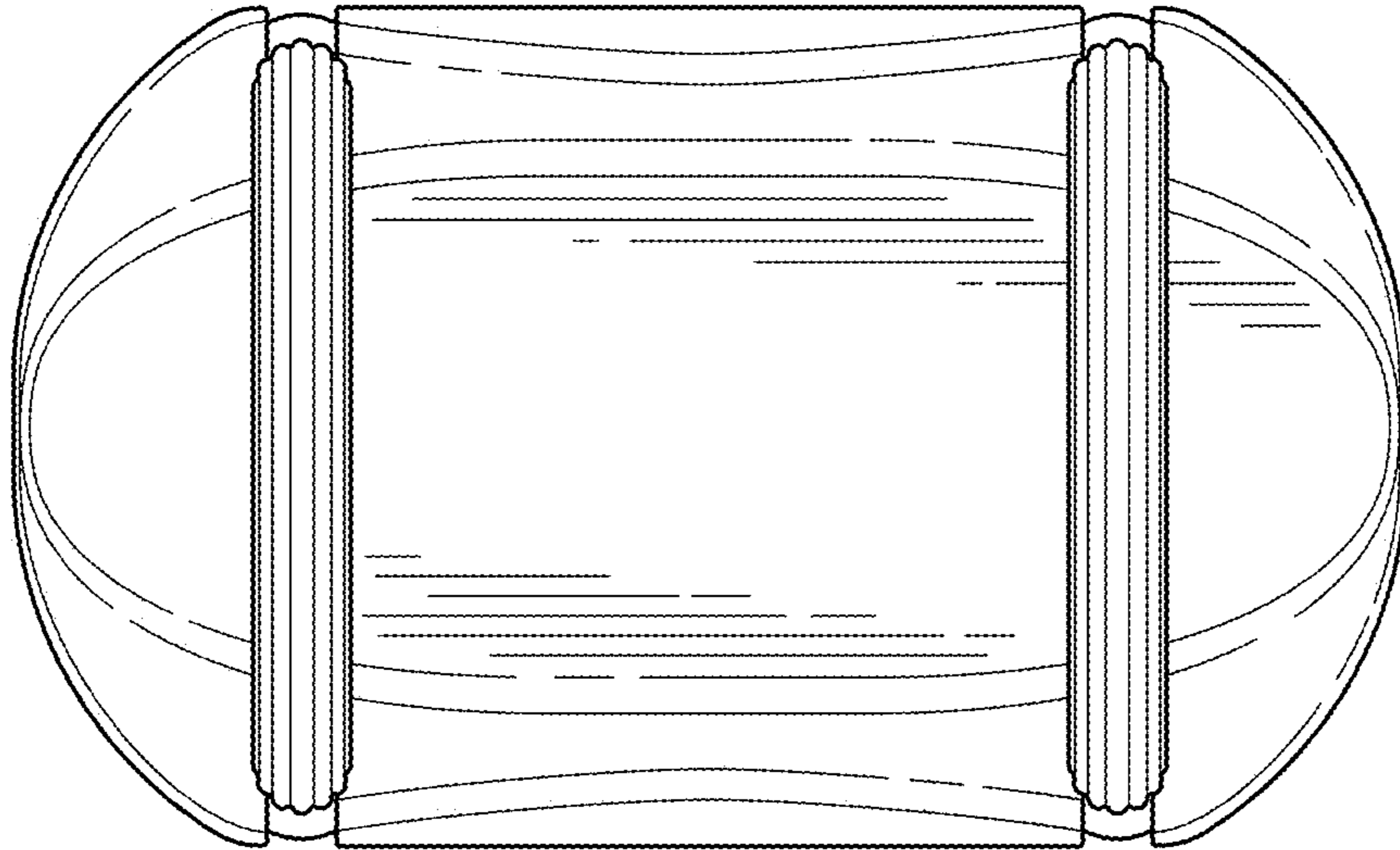


FIG. 6

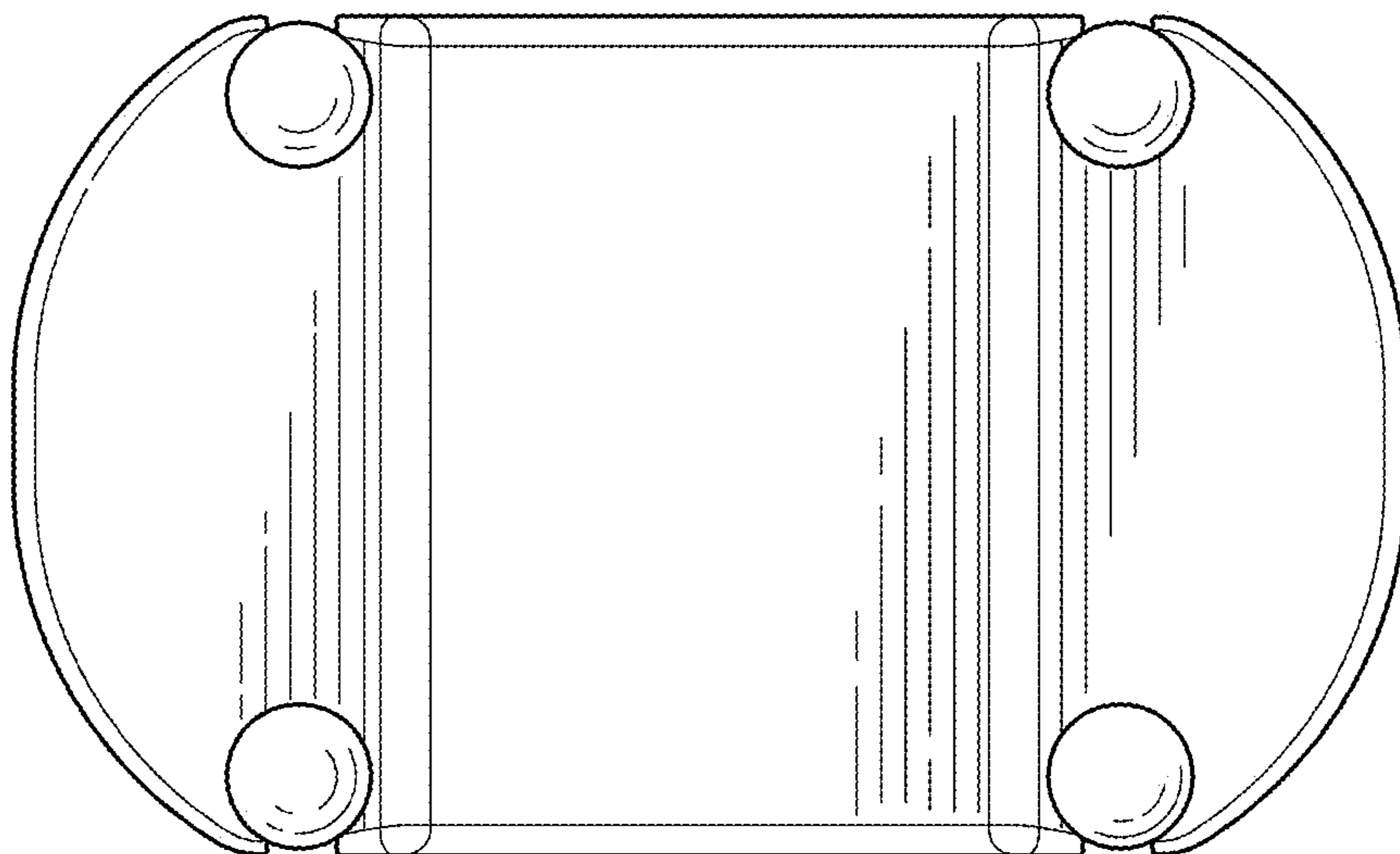


FIG. 7

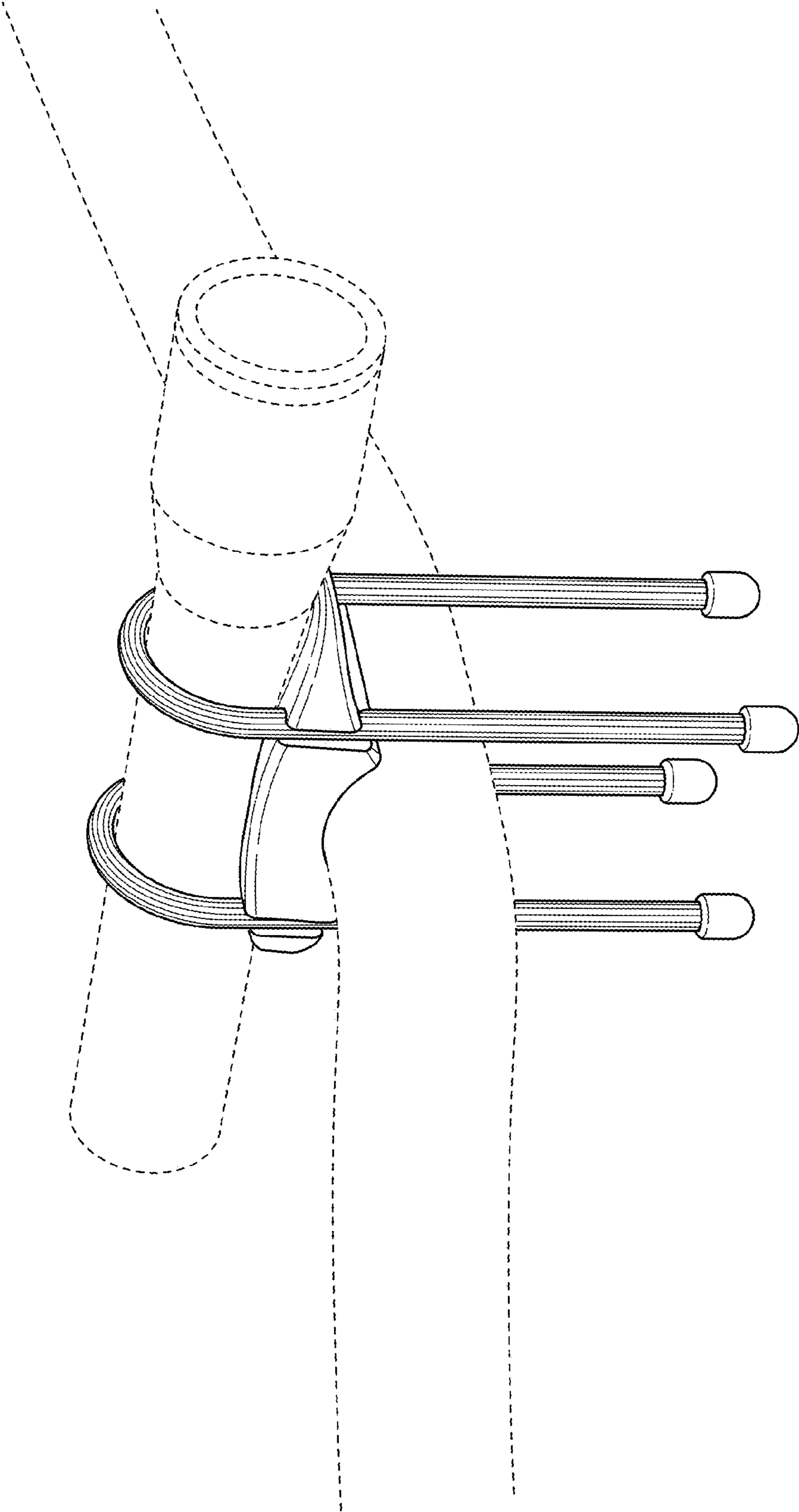


FIG. 8

