



US00D698075S

(12) **United States Design Patent**
Klus

(10) **Patent No.:** **US D698,075 S**

(45) **Date of Patent:** **** Jan. 21, 2014**

(54) **HOUSING FOR LED BASED LIGHTING APPARATUS**

(71) Applicant: **Sylwester Klus**, Kamionka (PL)

(72) Inventor: **Sylwester Klus**, Kamionka (PL)

(**) Term: **14 Years**

(21) Appl. No.: **29/440,141**

(22) Filed: **Dec. 19, 2012**

(51) **LOC (10) Cl.** **26-99**

(52) **U.S. Cl.**
USPC **D26/138**

(58) **Field of Classification Search**

USPC D26/25, 26, 28, 31, 35, 36, 37, 41, 42,
D26/50, 51, 52, 64, 66, 67, 73, 75, 78, 85,
D26/88, 89, 90, 103-106, 109, 110, 119,
D26/123, 125, 129, 131, 135, 136, 138, 140,
D26/143, 144; D13/179, 180; 362/92, 130,
362/132, 133, 183, 184, 190, 205, 216,
362/217.05, 218, 220, 223, 224, 241, 247,
362/249.03, 249.05-249.1, 249.11, 258,
362/260, 285, 287, 294.02, 297, 327, 345,
362/354, 373-379, 410, 418, 419, 510, 516,
362/558, 561; 248/339, 557, 558; D8/354,
D8/373, 377, 382; D25/60, 119, 124, 125;
52/455; 349/59-62, 64-67, 113;
438/15; 345/102; D12/406; D10/111,
D10/114.1; D11/121, 125, 144, 145;
428/11; 257/96, 97, 98, 99

See application file for complete search history.

(56) **References Cited**

U.S. PATENT DOCUMENTS

D305,368	S	*	1/1990	Clark	D25/124
D577,857	S	*	9/2008	Tress et al.	D26/141
D578,248	S	*	10/2008	Lee et al.	D26/138
D600,401	S	*	9/2009	Varrin	D26/138
7,766,505	B2	*	8/2010	Tseng et al.	362/217.17
D623,342	S	*	9/2010	Klu	D26/138
D623,343	S	*	9/2010	Kluš	D26/138
D625,463	S	*	10/2010	Klus	D26/138
D639,098	S	*	6/2011	Bosgoed	D6/580
D641,923	S	*	7/2011	Radchenko et al.	D26/138
D649,688	S	*	11/2011	Trzesniowski	D26/138
2003/0163967	A1	*	9/2003	Sims	52/586.2
2008/0030981	A1	*	2/2008	Mrakovich et al.	362/219

* cited by examiner

Primary Examiner — Zenia Bennett

(74) *Attorney, Agent, or Firm* — Mark Terry

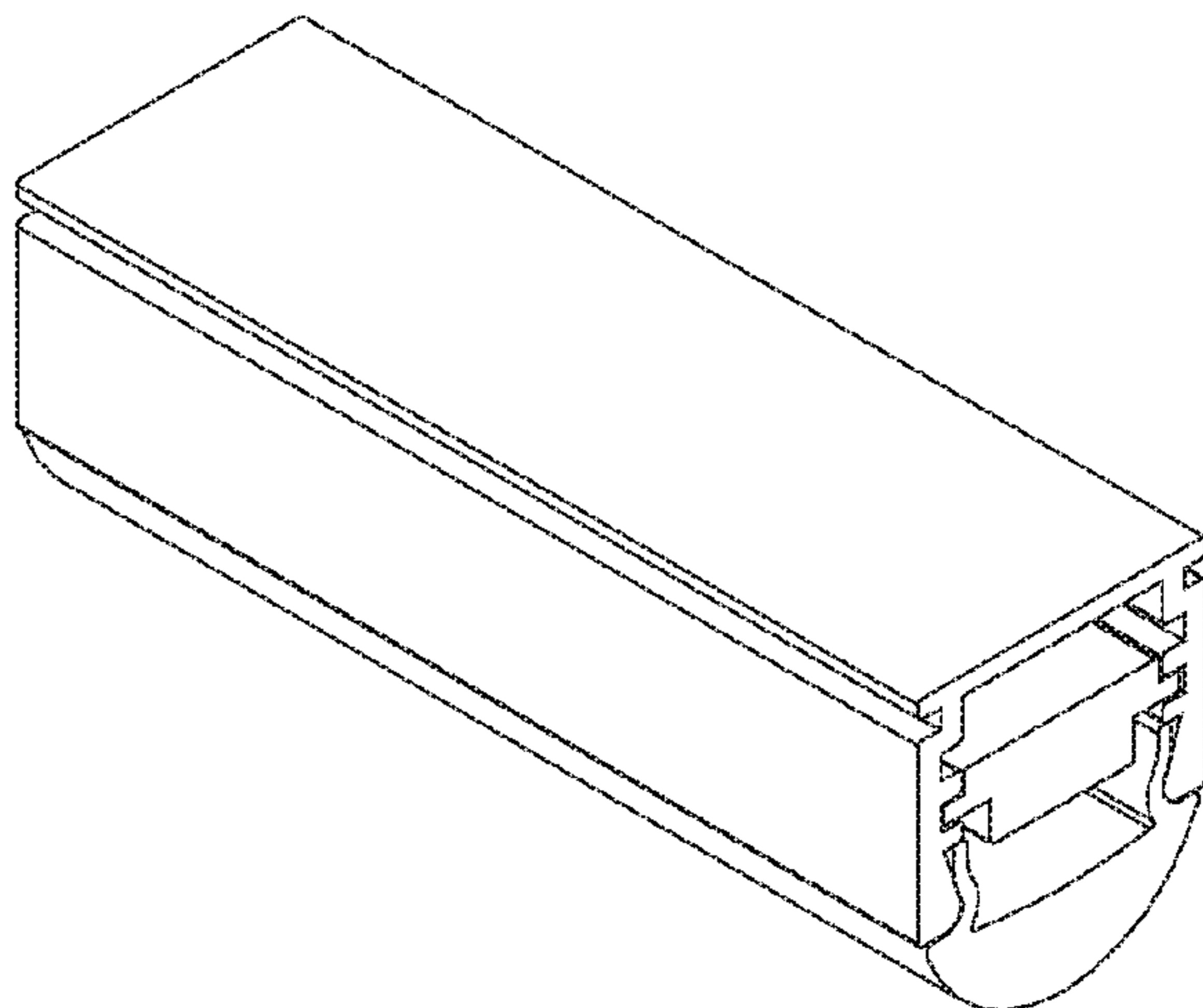
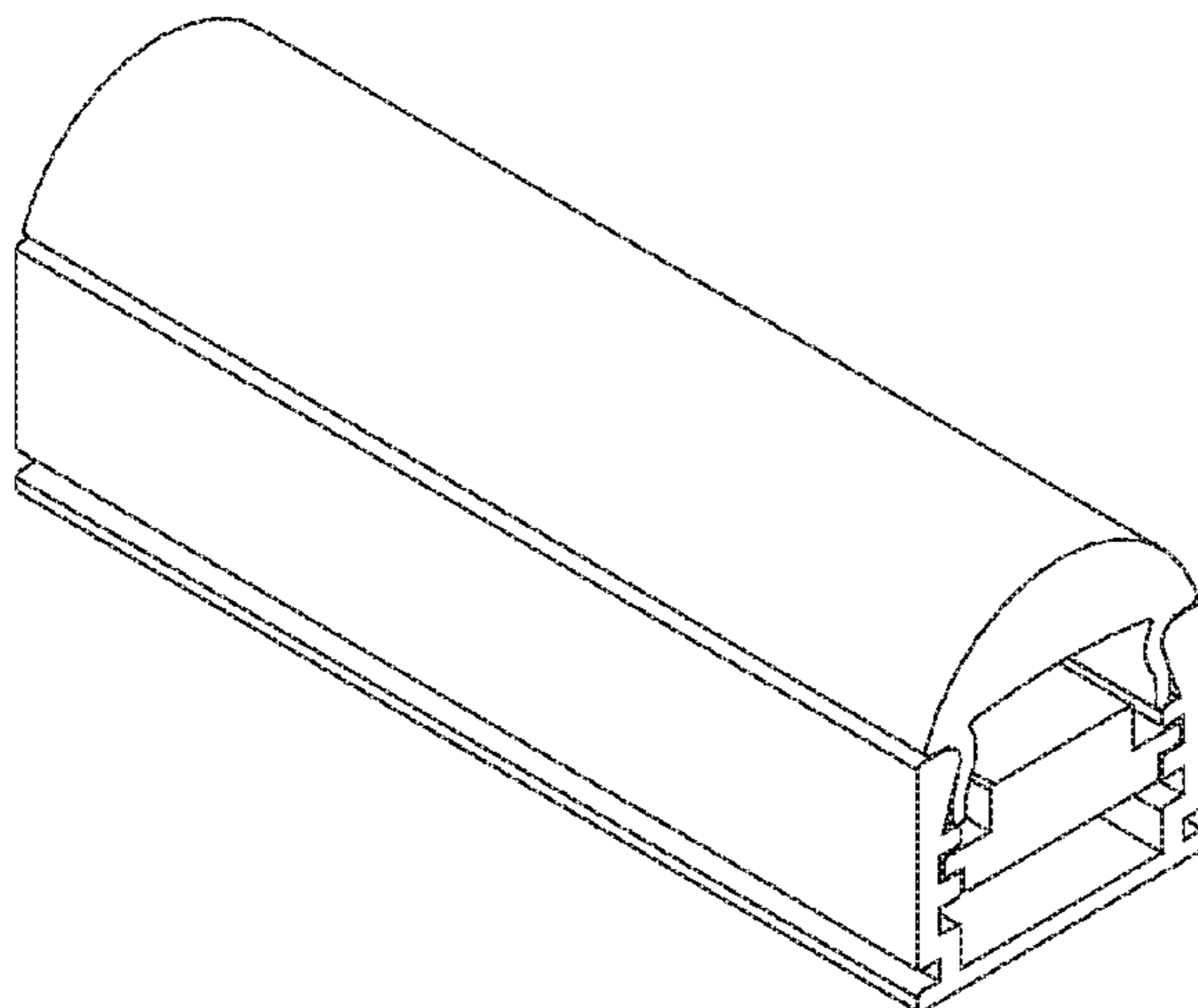
(57) **CLAIM**

The ornamental design for a housing for an LED-based lighting apparatus, as shown and described.

DESCRIPTION

FIG. 1 is a top perspective view of a housing for an LED-based lighting apparatus showing the new design;
FIG. 2 is a bottom perspective view thereof.
FIG. 3 is a front view thereof;
FIG. 4 is a side view thereof;
FIG. 5 is a top view thereof;
FIG. 6 is a bottom view thereof;
FIG. 7 is an exploded top perspective view of the housing for an LED-based lighting apparatus, showing the new design; and,
FIG. 8 is an exploded bottom perspective view thereof.

1 Claim, 5 Drawing Sheets



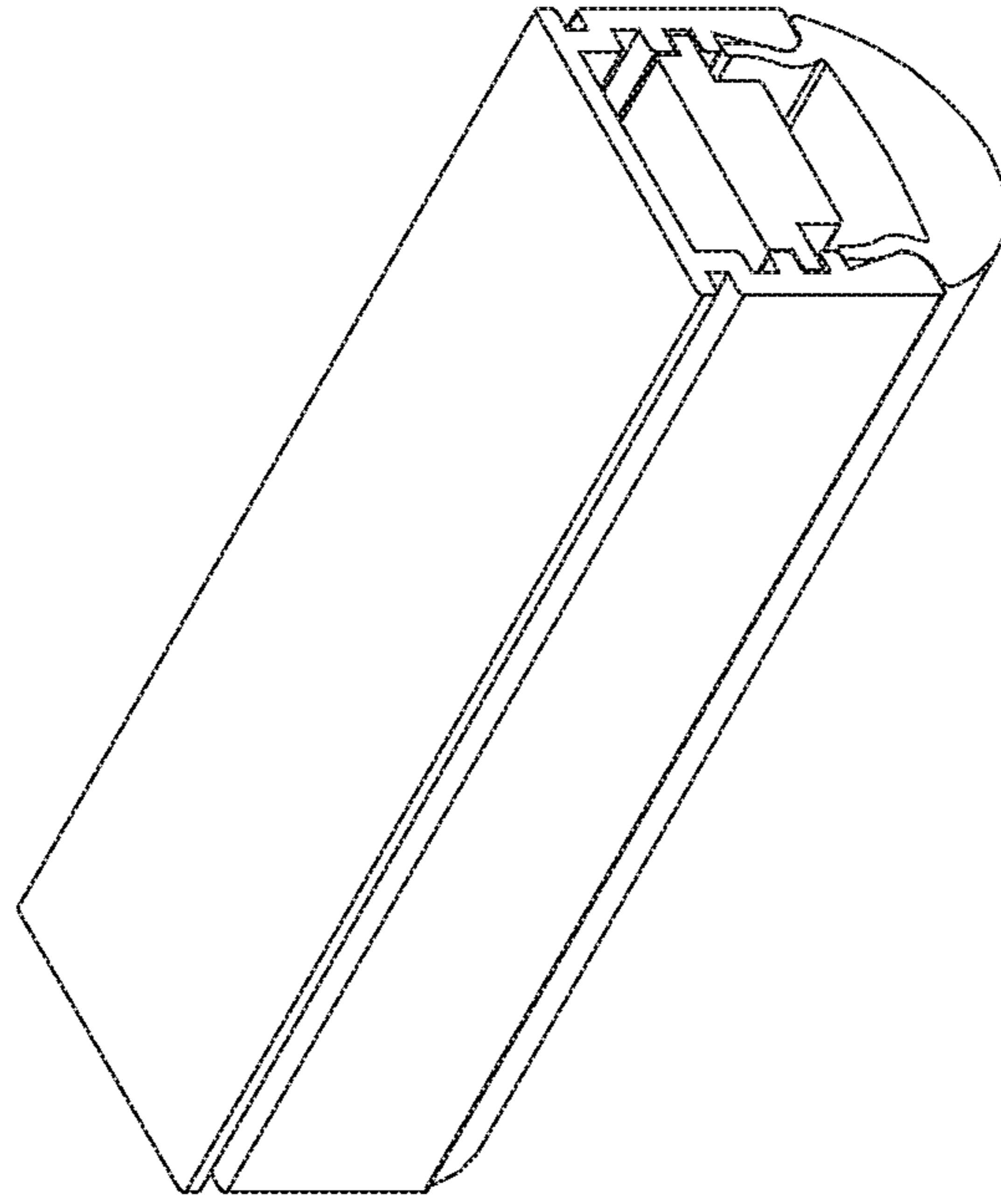


FIG. 2

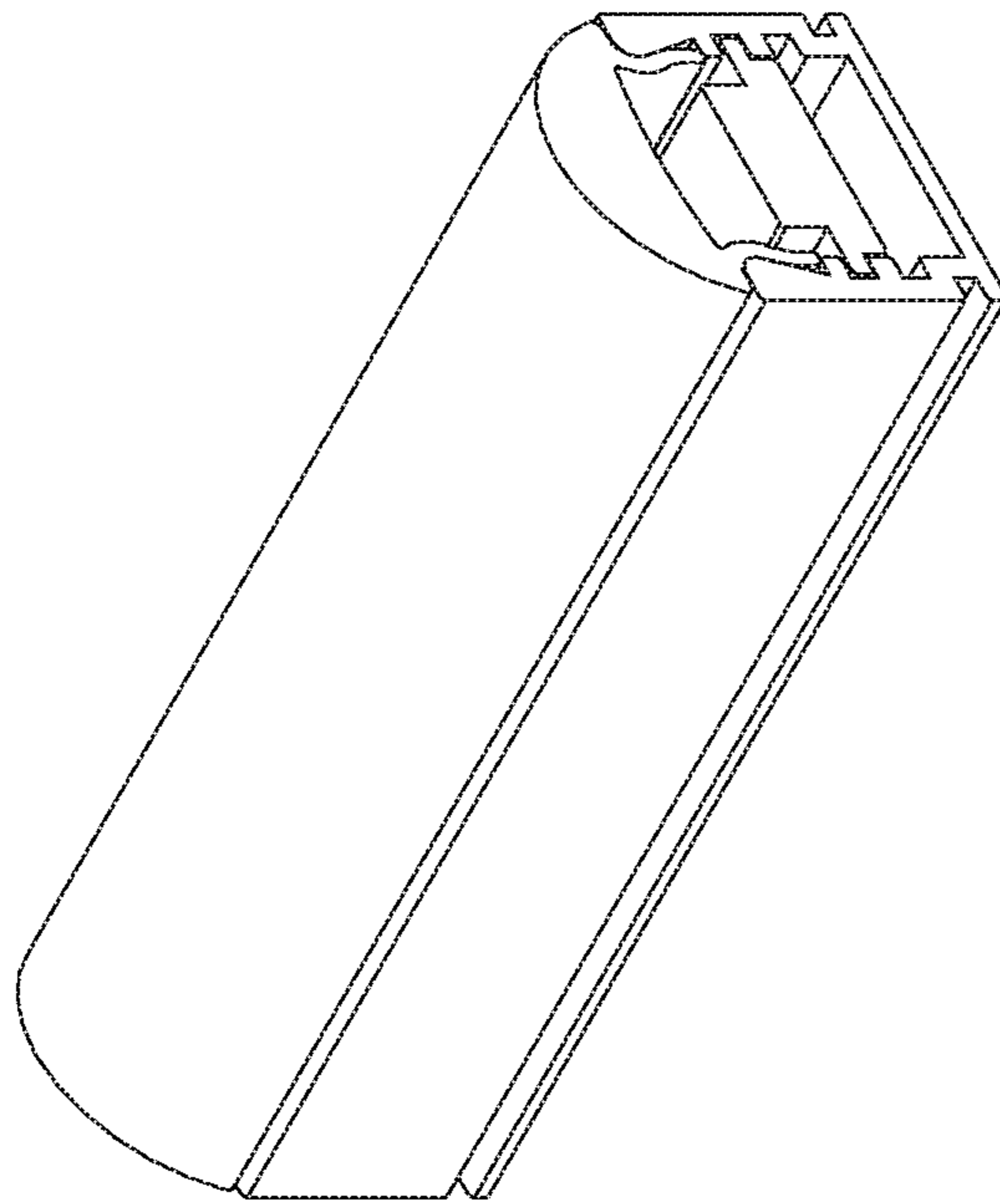


FIG. 1

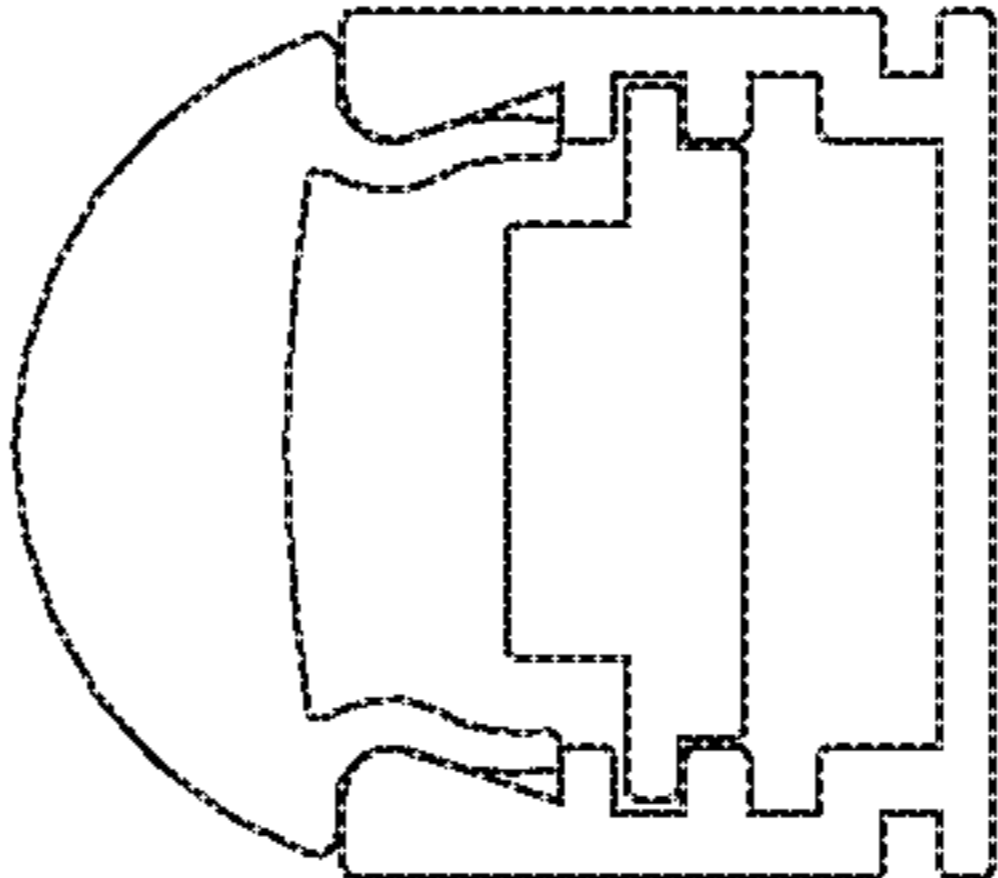


FIG. 3

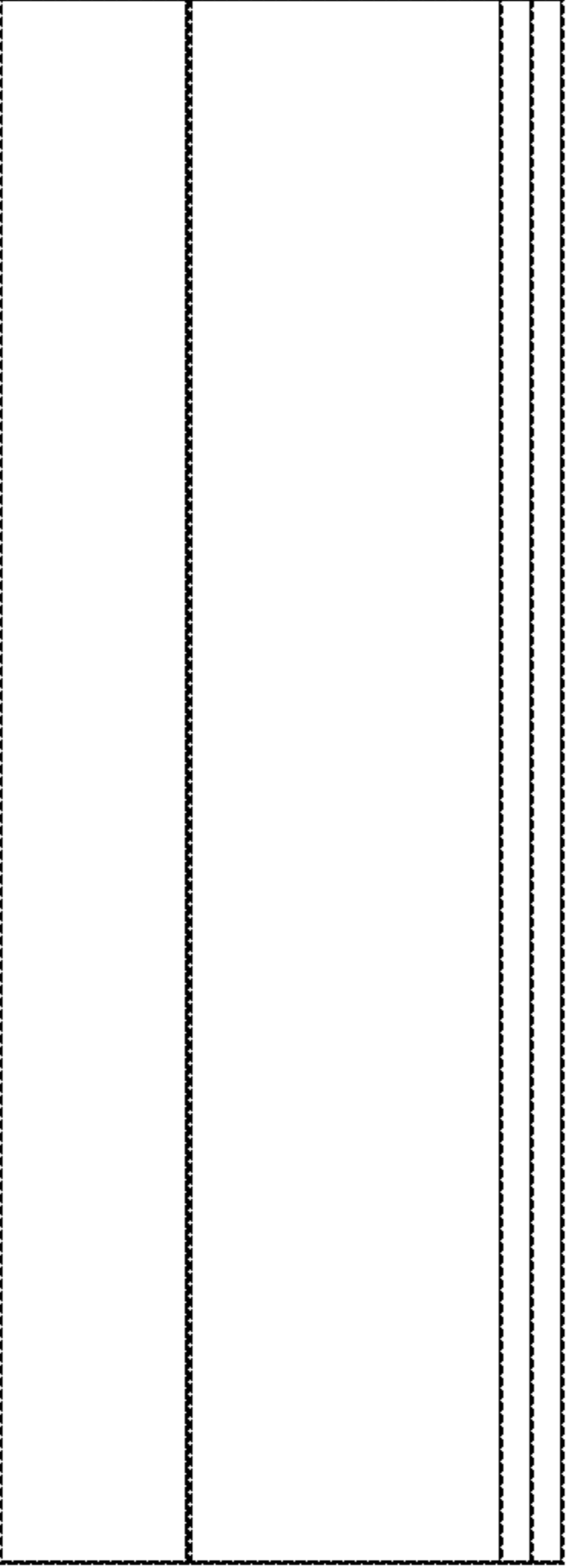


FIG. 4



FIG. 6



FIG. 5

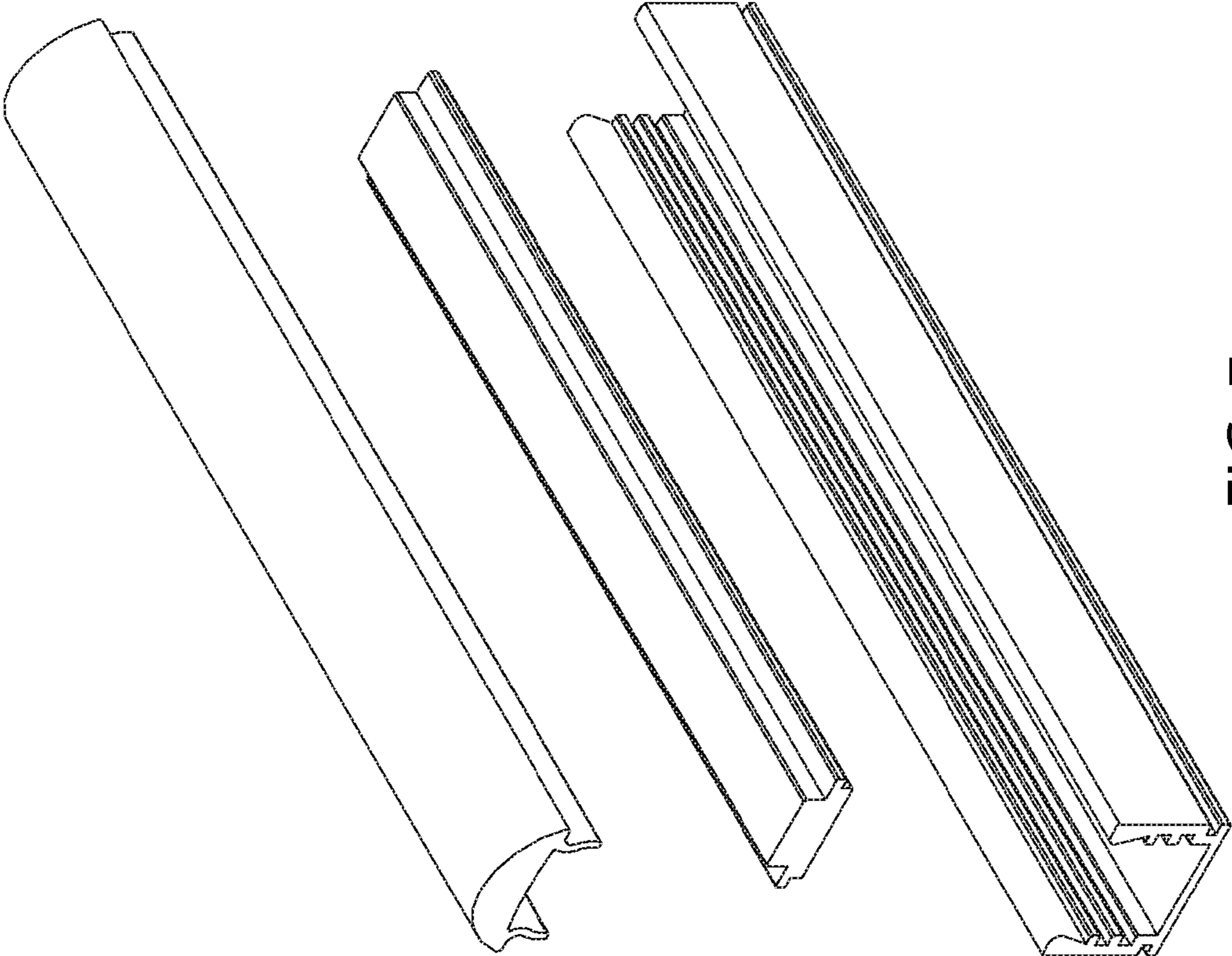


FIG. 7

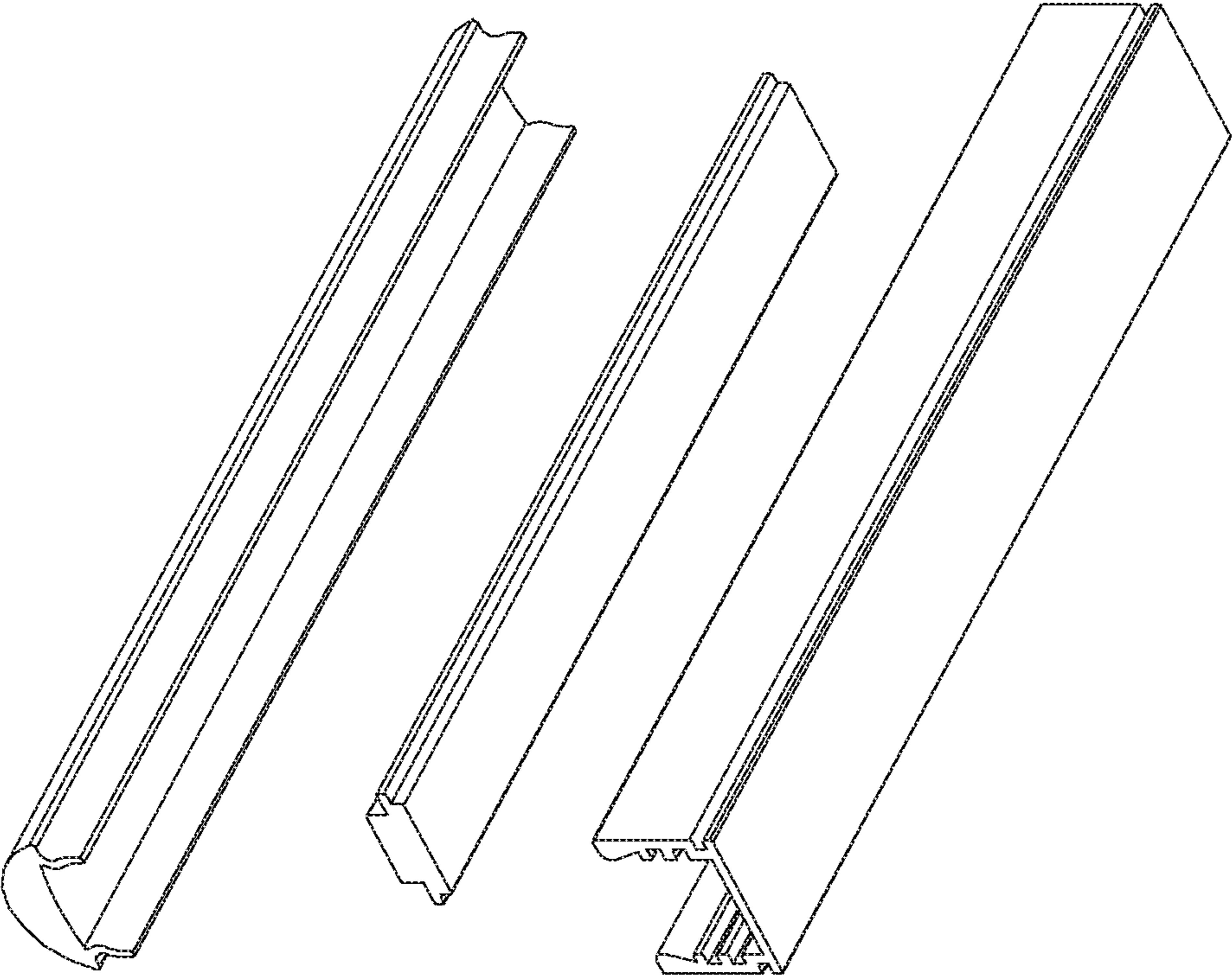


FIG. 8