



US00D698074S

(12) **United States Design Patent**
Hargreaves

(10) **Patent No.:** **US D698,074 S**
(45) **Date of Patent:** **** Jan. 21, 2014**

- (54) **EXTERNAL BALLAST FRAME**
 - (75) Inventor: **Doug Hargreaves**, Vancouver, WA (US)
 - (73) Assignee: **IP Holdings, LLC**, Vancouver, WA (US)
 - (**) Term: **14 Years**
 - (21) Appl. No.: **29/418,478**
 - (22) Filed: **Apr. 17, 2012**
 - (51) **LOC (10) Cl.** **26-99**
 - (52) **U.S. Cl.**
USPC **D26/138**
 - (58) **Field of Classification Search**
USPC D26/25, 26, 28, 31, 35, 36, 37, 41, 42,
D26/50, 51, 52, 64, 66, 67, 73, 75, 78, 85,
D26/88, 89, 90, 103-106, 109, 110, 119,
D26/123, 125, 129, 131, 135, 136, 138, 140,
D26/143, 144; D13/179, 180; 362/92, 130,
362/132, 133, 183, 184, 190, 205, 216,
362/217.05, 218, 220, 223, 224, 241, 247,
362/249.03, 249.05-249.1, 249.11, 258,
362/260, 285, 287, 294.02, 297, 327, 345,
362/354, 373-379, 410, 418, 419, 510, 516,
362/558, 561; 248/339, 557, 558; D8/354,
D8/373, 377, 382; D25/60, 119, 124, 125;
52/455; 349/59-62, 64-67, 113;
438/15; 345/102; D12/406; D10/111,
D10/114.1; D11/121, 125, 144, 145;
428/11; 257/96, 97, 98, 99
- See application file for complete search history.

4,413,674 A	11/1983	Avery et al.	
4,471,898 A	9/1984	Parker	
4,745,966 A	5/1988	Avery	
4,924,152 A	5/1990	Flickinger	
5,140,225 A	8/1992	Barton	
5,446,617 A	8/1995	Blocher et al.	
D373,625 S	9/1996	Pereira	
D387,333 S	12/1997	Pellow et al.	
D387,970 S	* 12/1997	Enslin	D8/349
5,894,884 A	4/1999	Durian et al.	
D432,639 S	10/2000	Durian et al.	
D477,568 S	7/2003	Milby	
D478,547 S	8/2003	Milby	
D523,803 S	* 6/2006	Smith et al.	D12/223
D537,777 S	3/2007	Hargreaves et al.	
D545,996 S	* 7/2007	Hargreaves	D26/118
D615,848 S	* 5/2010	Prichard et al.	D8/354
D625,168 S	* 10/2010	Chen	D8/354
D654,350 S	* 2/2012	Preda	D8/354
2010/0319953 A1	* 12/2010	Yochum et al.	174/59
2011/0025797 A1	* 2/2011	Rosati et al.	347/104
2011/0025803 A1	* 2/2011	Rosati et al.	347/104

* cited by examiner

Primary Examiner — Zenia Bennett

(74) *Attorney, Agent, or Firm* — Robert J. Ireland; J. Douglas Wells

(57) **CLAIM**

The ornamental design for an external ballast frame, as shown and described.

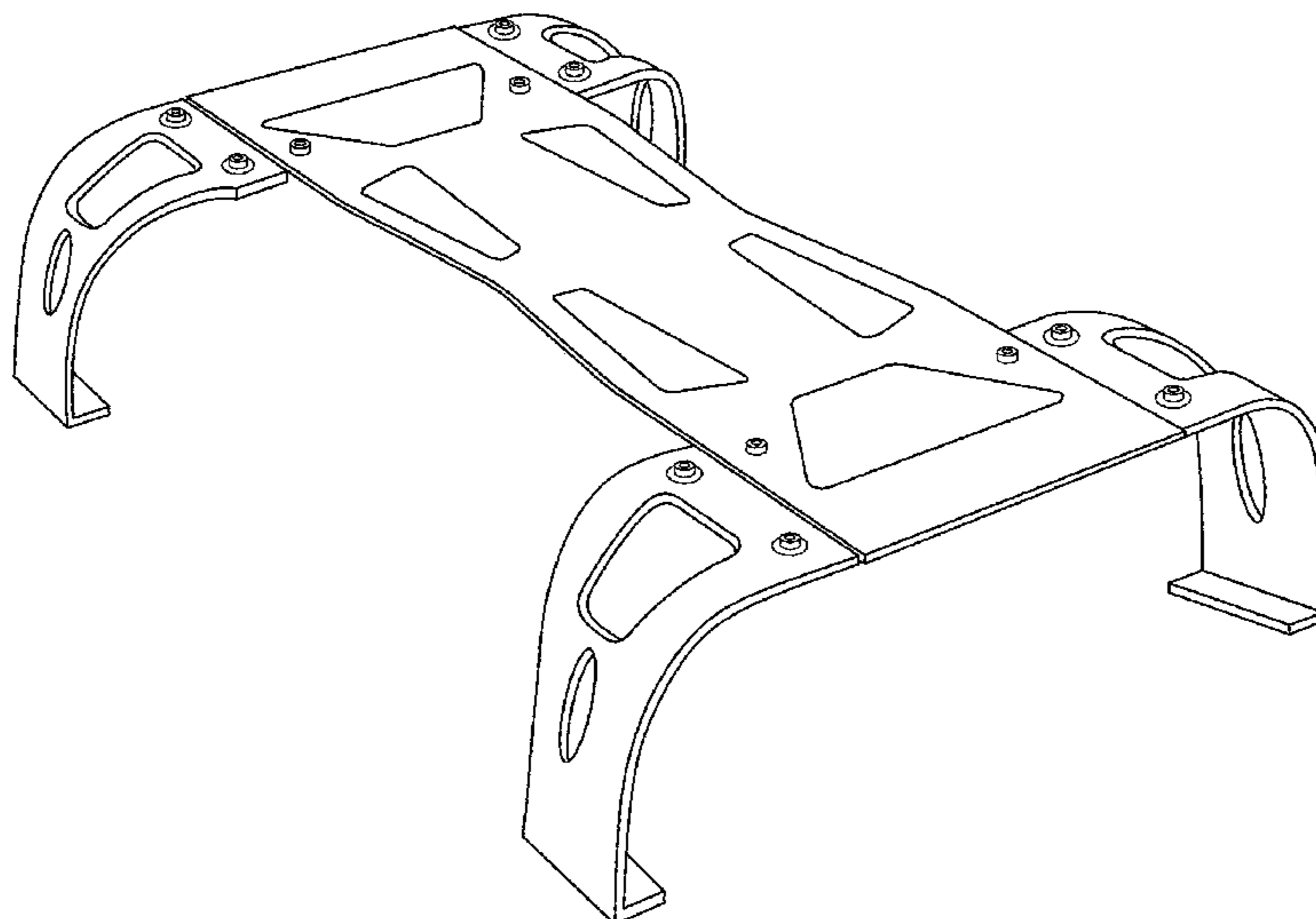
DESCRIPTION

FIG. 1 is a top plan view of a face plate showing our design; FIG. 2 is a left side perspective view thereof; FIG. 3 is a first end view thereof, the second end view being a mirror image; and, FIG. 4 is a right side view thereof, the left side being a mirror image.

1 Claim, 3 Drawing Sheets

(56) **References Cited**
U.S. PATENT DOCUMENTS

3,197,545 A	7/1965	Moore
3,741,292 A	6/1973	Aakalu et al.



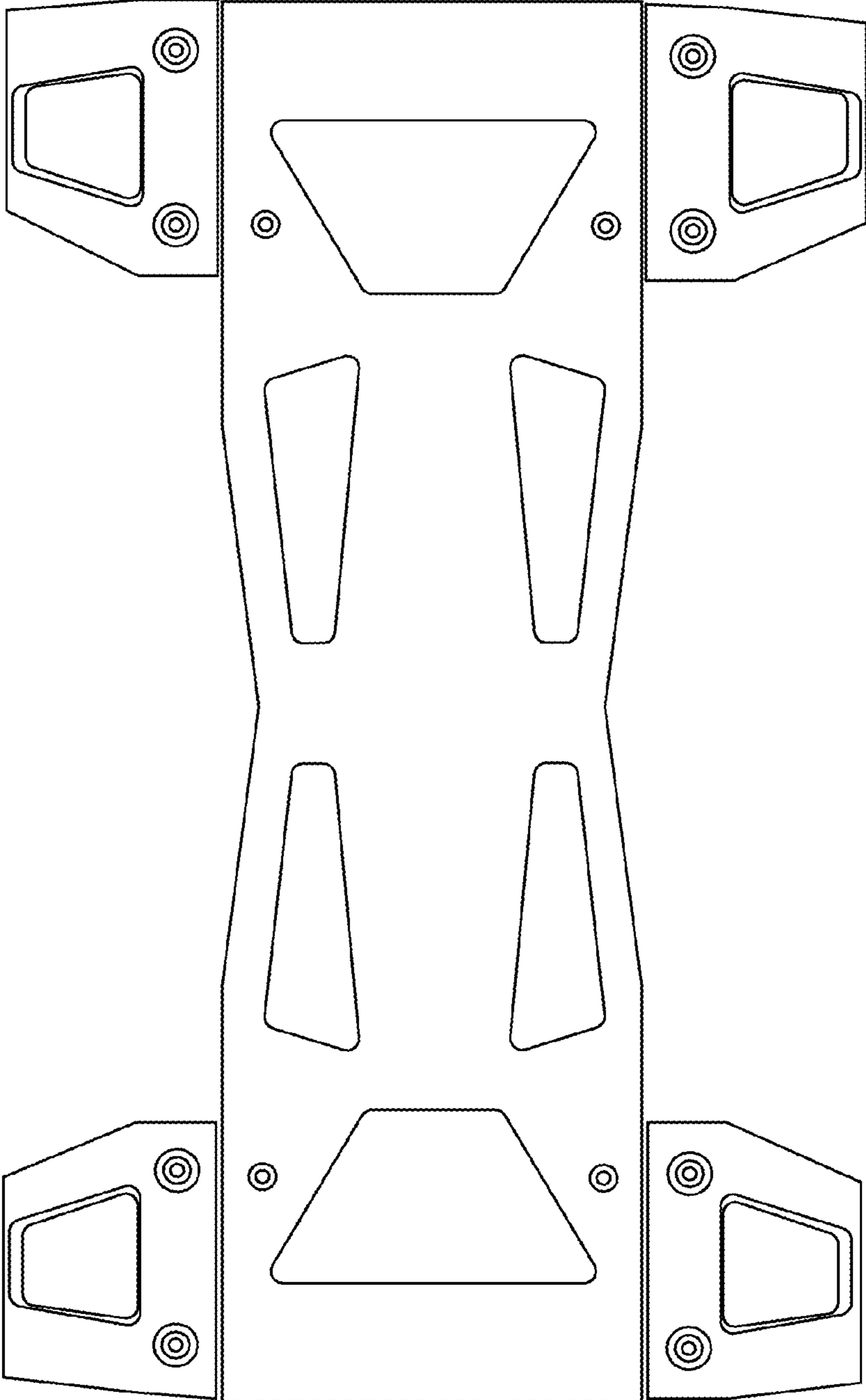


FIG. 1

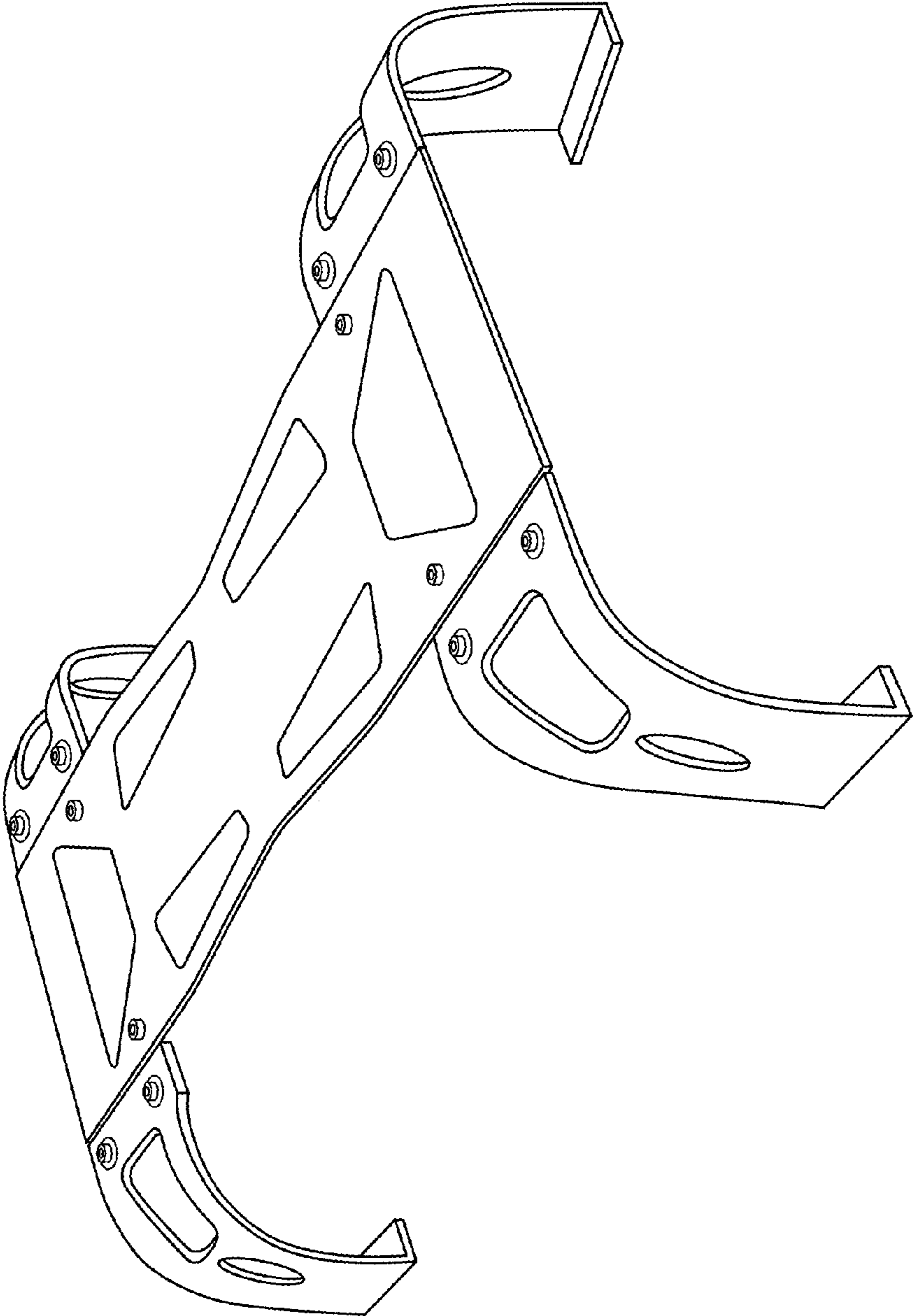


FIG. 2

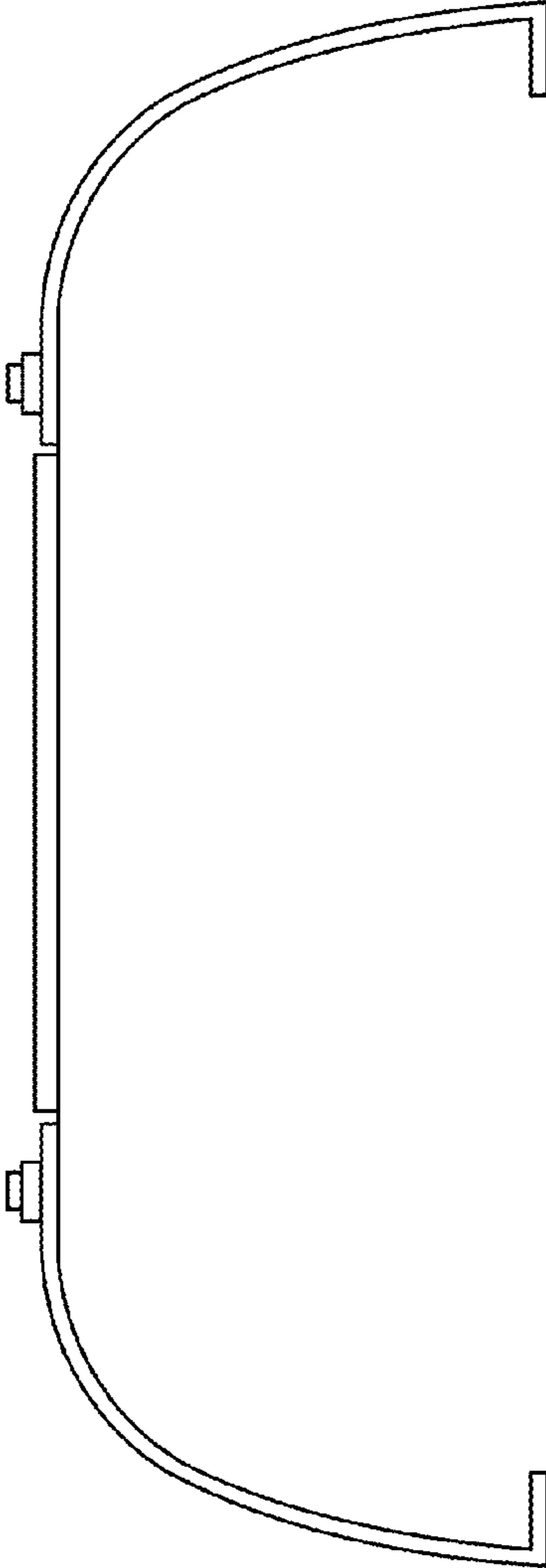


FIG. 3

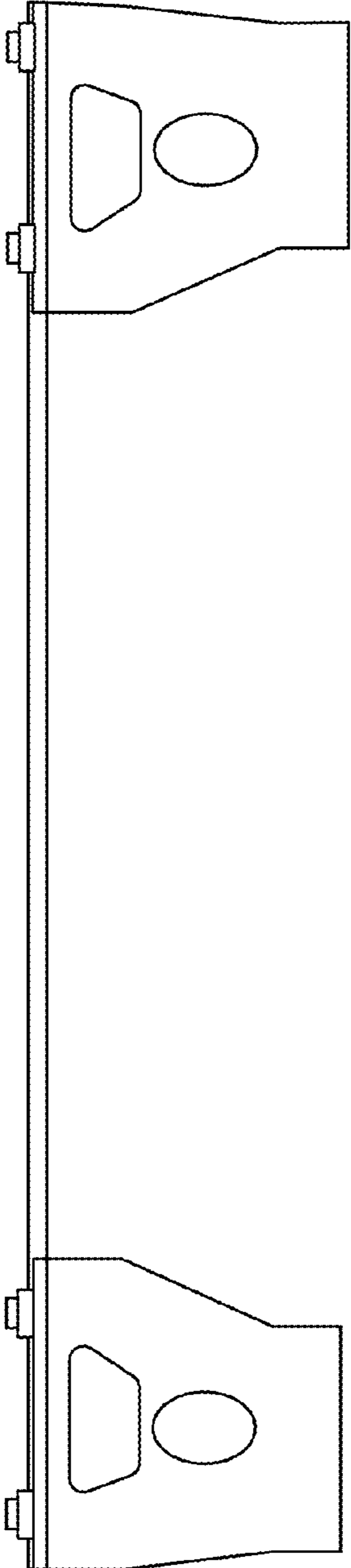


FIG. 4