

US00D698071S

(12) **United States Design Patent**
Messiaen

(10) **Patent No.:** **US D698,071 S**
(45) **Date of Patent:** **** Jan. 21, 2014**

(54) **CEILING/WALL SPOT**

(56) **References Cited**

(71) Applicant: **Koninklijke Philips Electronics N.V.**,
Eindhoven (NL)

U.S. PATENT DOCUMENTS

(72) Inventor: **Lieven Messiaen**, Brugge (BE)

D383,564 S *	9/1997	Lecluze	D26/118
D448,880 S *	10/2001	Benghozi	D26/74
D544,979 S *	6/2007	Hartmann et al.	D26/74
D574,541 S *	8/2008	Matsumoto et al.	D26/74
D601,739 S *	10/2009	Chan et al.	D26/74
D608,041 S *	1/2010	Hua	D26/74
D609,840 S *	2/2010	Tang	D26/74
D610,280 S *	2/2010	Hua	D26/24
D636,922 S *	4/2011	Yoshida et al.	D26/74
D655,436 S *	3/2012	Johnson	D26/74
D665,117 S *	8/2012	Yoshida et al.	D26/74
D674,127 S *	1/2013	Rowlette et al.	D26/74
D684,288 S *	6/2013	Gielen	D26/74

(73) Assignee: **Koninklijke Philips N.V.**, Eindhoven
(NL)

(**) Term: **14 Years**

(21) Appl. No.: **29/452,578**

(22) Filed: **Apr. 18, 2013**

* cited by examiner

(30) **Foreign Application Priority Data**

Primary Examiner — Angela J Lee

Oct. 18, 2012 (EM) 002120691-0005

(51) **LOC (10) Cl.** **26-05**

(57) **CLAIM**

The ornamental design for a ceiling/wall spot, as shown.

(52) **U.S. Cl.**

USPC **D26/74**

DESCRIPTION

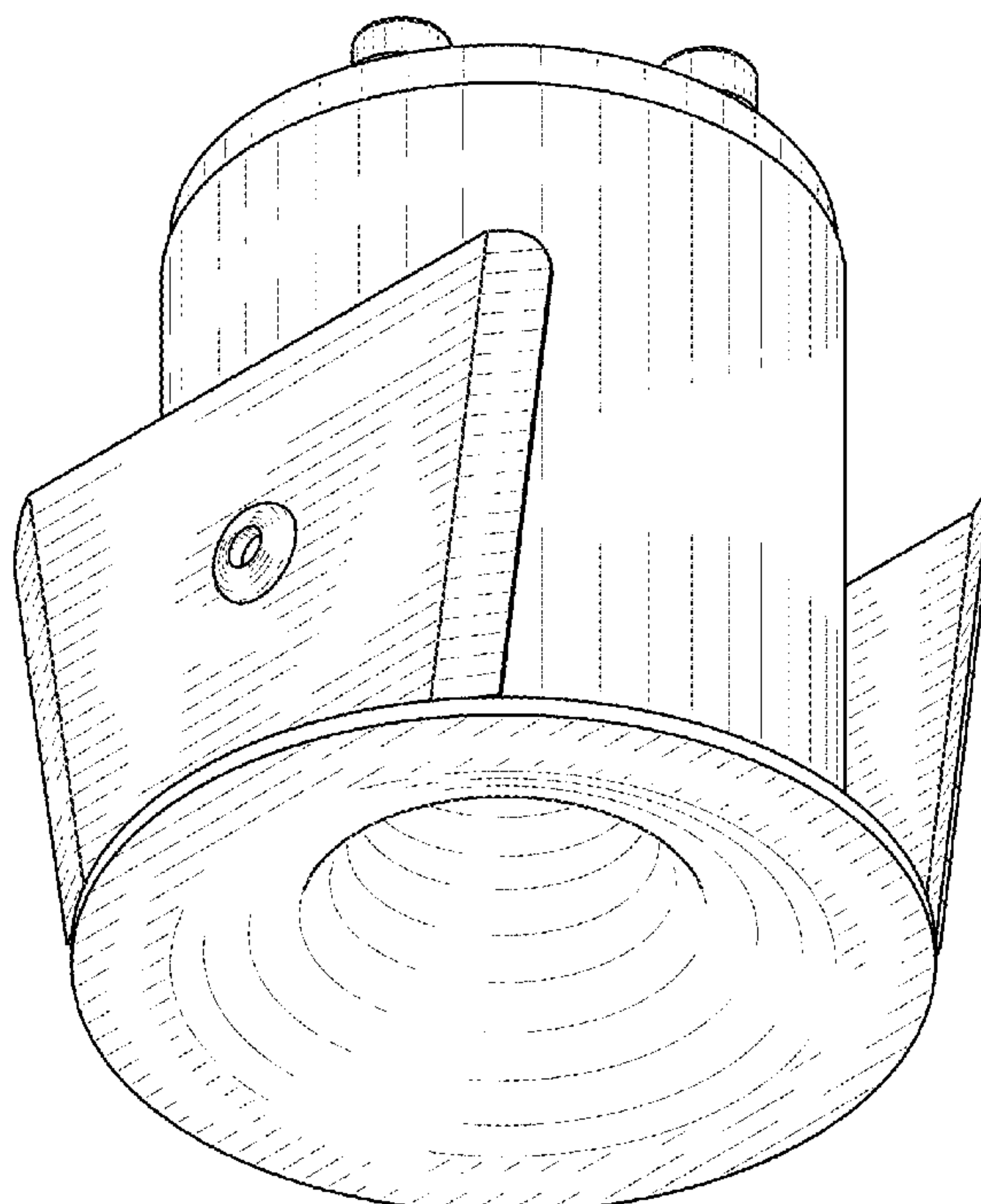
(58) **Field of Classification Search**

USPC D26/74, 113, 118, 119, 120, 122, 138,
D26/141, 24, 58, 59, 67, 72, 75, 76, 77, 78,
D26/79, 80, 81, 82, 83, 84, 85, 86, 88, 89,
D26/90, 91, 93, 105; 362/364, 365, 366,
362/145, 146, 147, 148, 150, 151, 152, 153,
362/153.1, 217.06, 217.07, 219, 294,
362/296.01, 311.07, 311.09

FIG. 1 is a perspective view showing my design;
FIG. 2 is a front elevational view thereof;
FIG. 3 is a rear elevational view thereof;
FIG. 4 is a right side elevational view thereof;
FIG. 5 is a left side elevational view thereof;
FIG. 6 is a top plan view thereof; and,
FIG. 7 is a bottom plan view thereof.

See application file for complete search history.

1 Claim, 6 Drawing Sheets



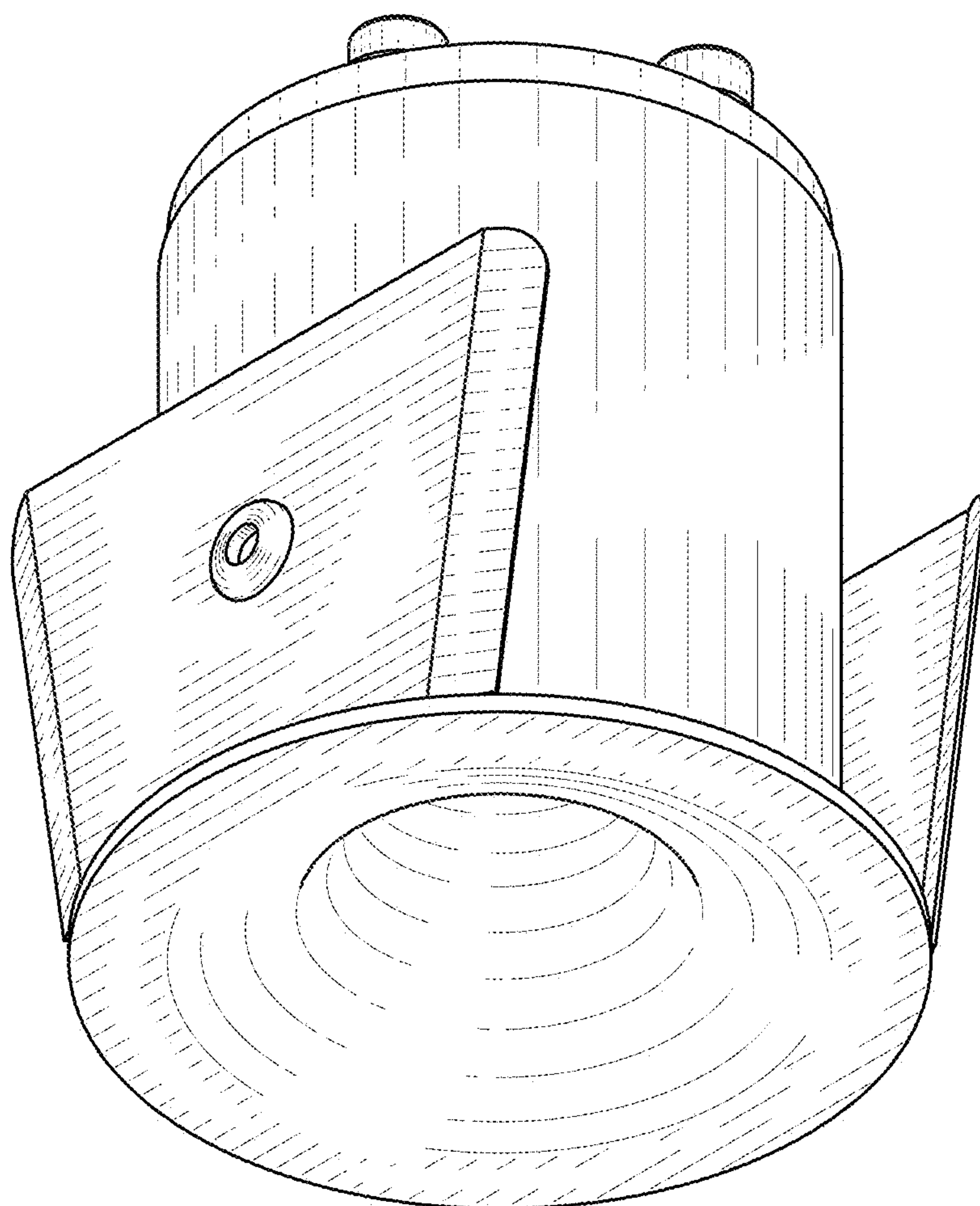


FIG. 1

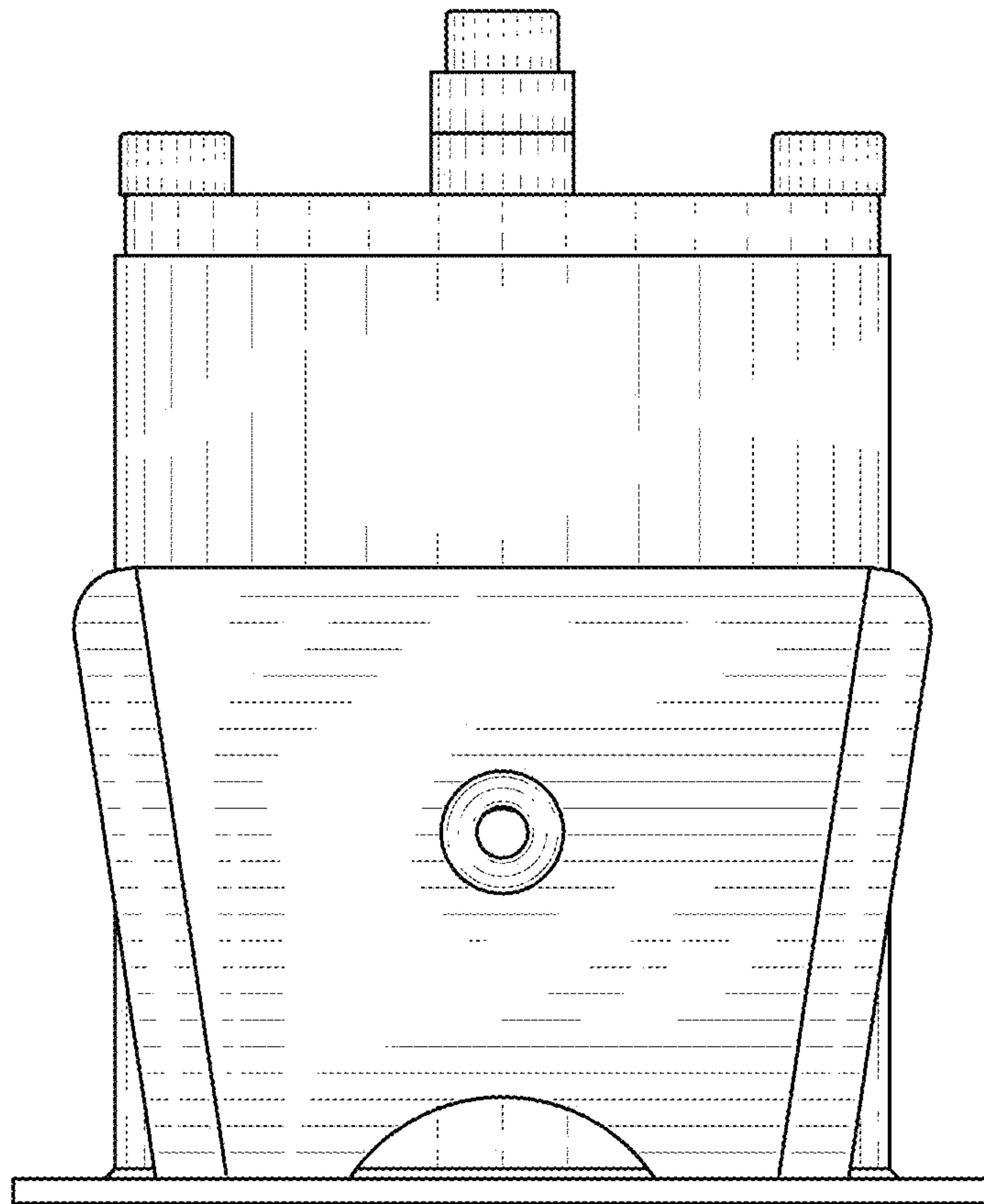


FIG. 2

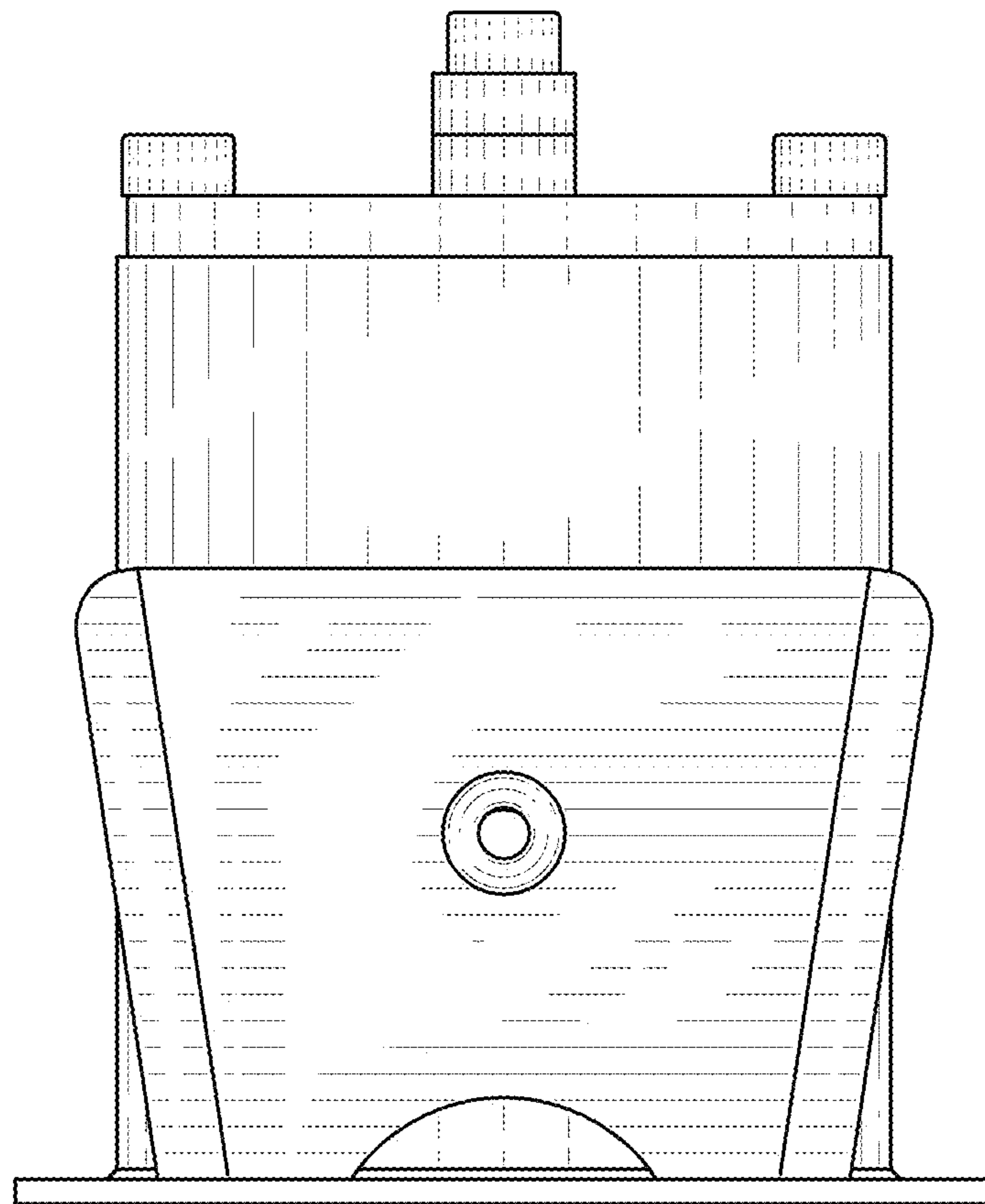


FIG. 3

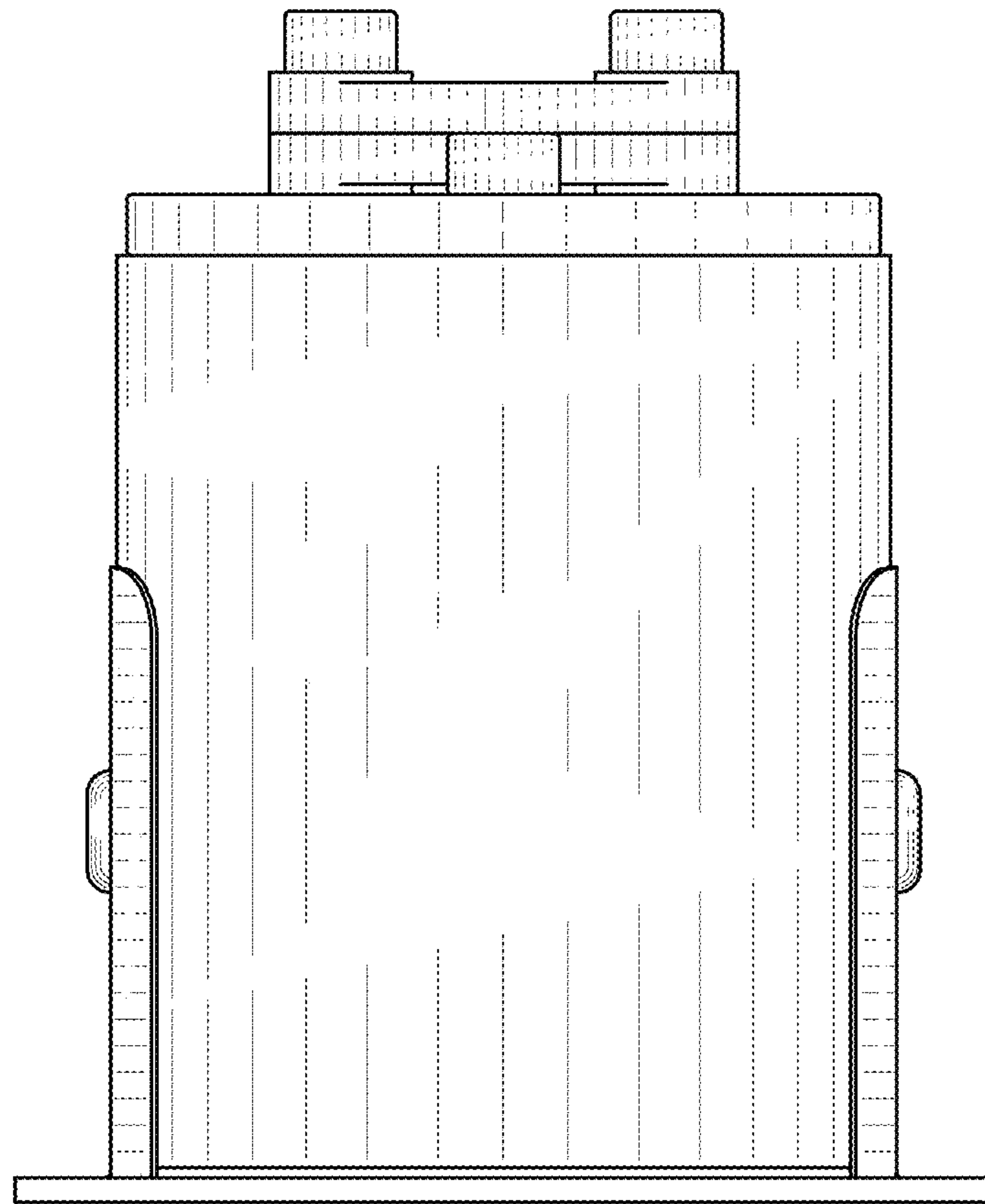


FIG. 4

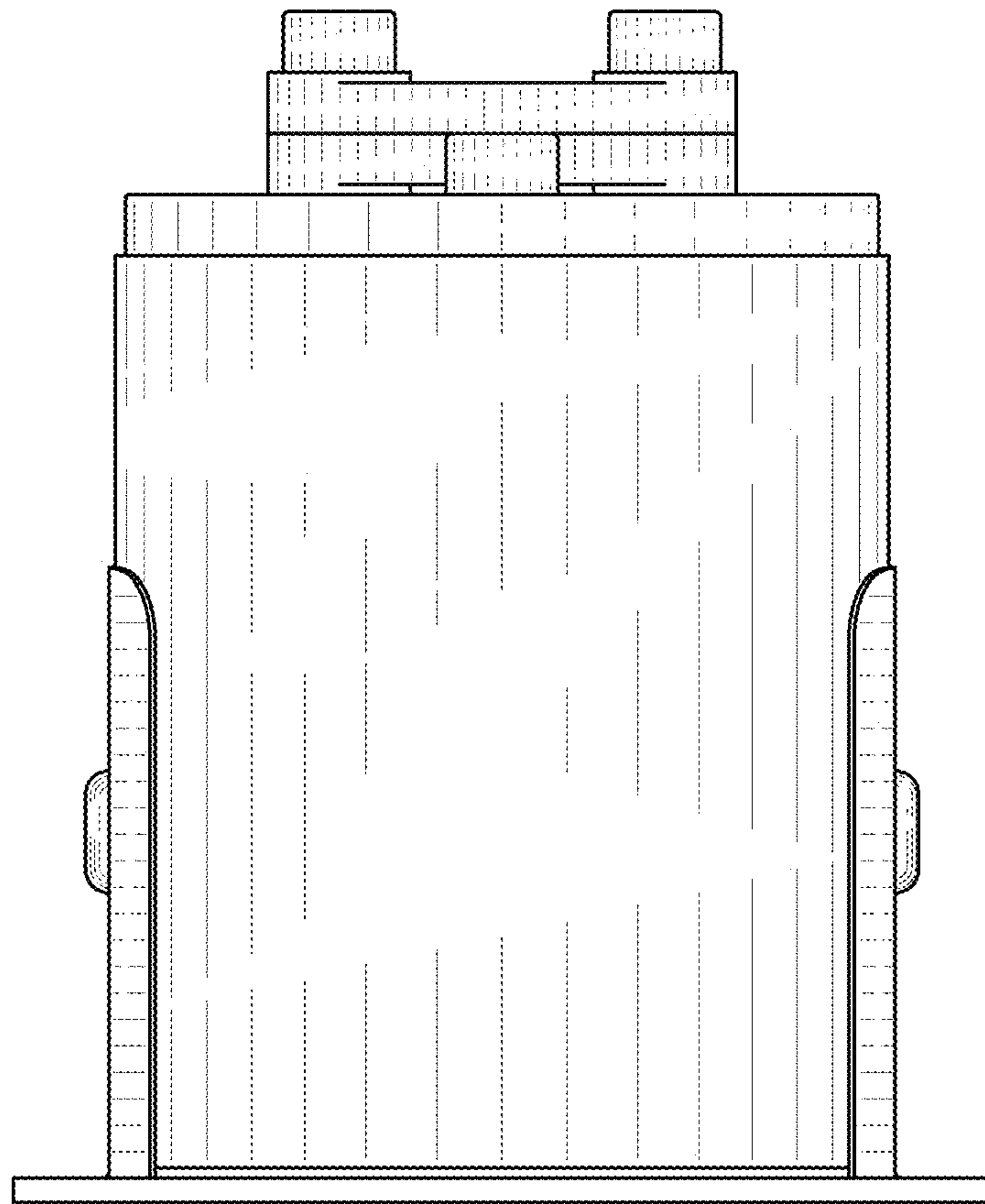


FIG. 5

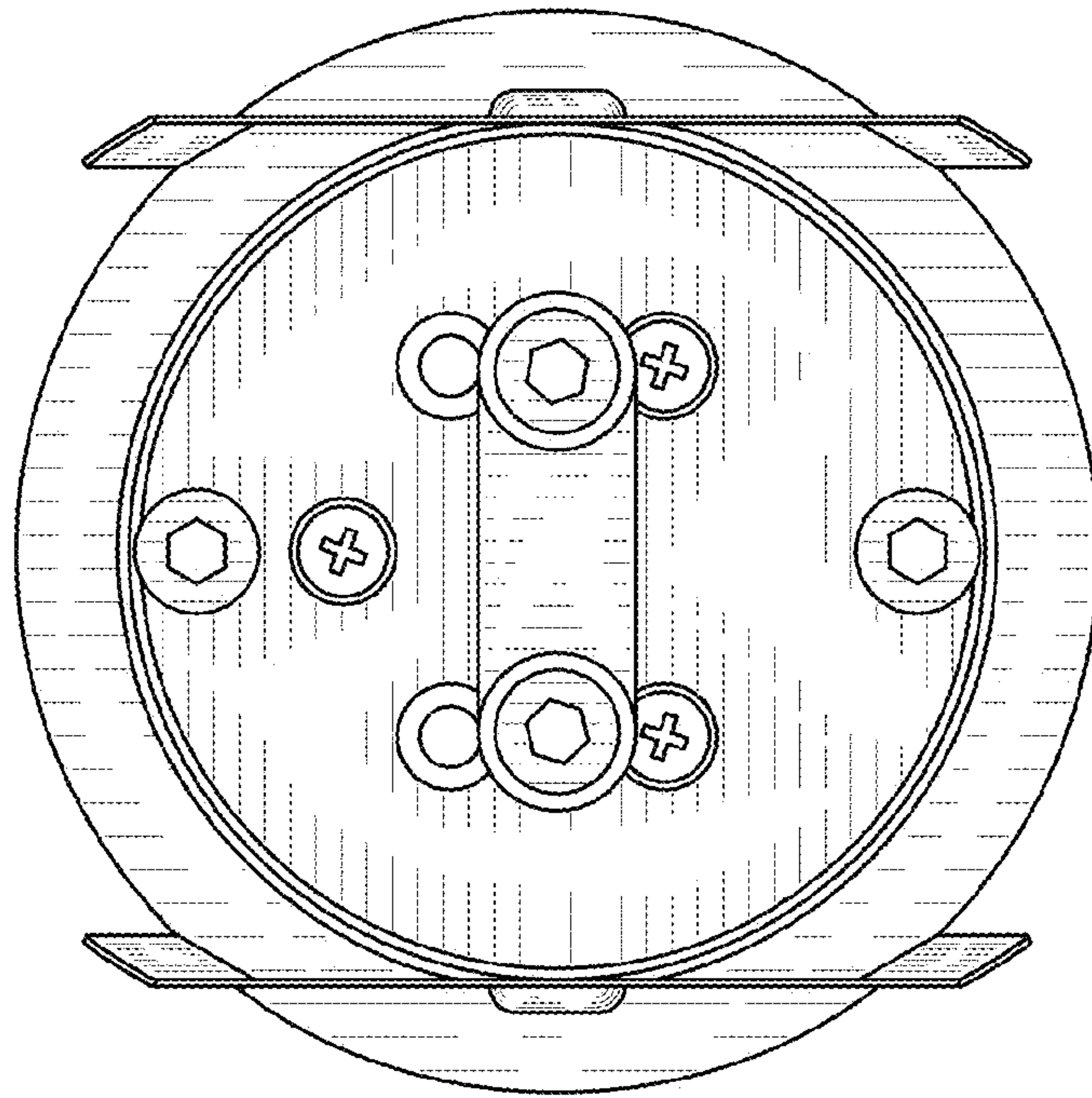


FIG. 6

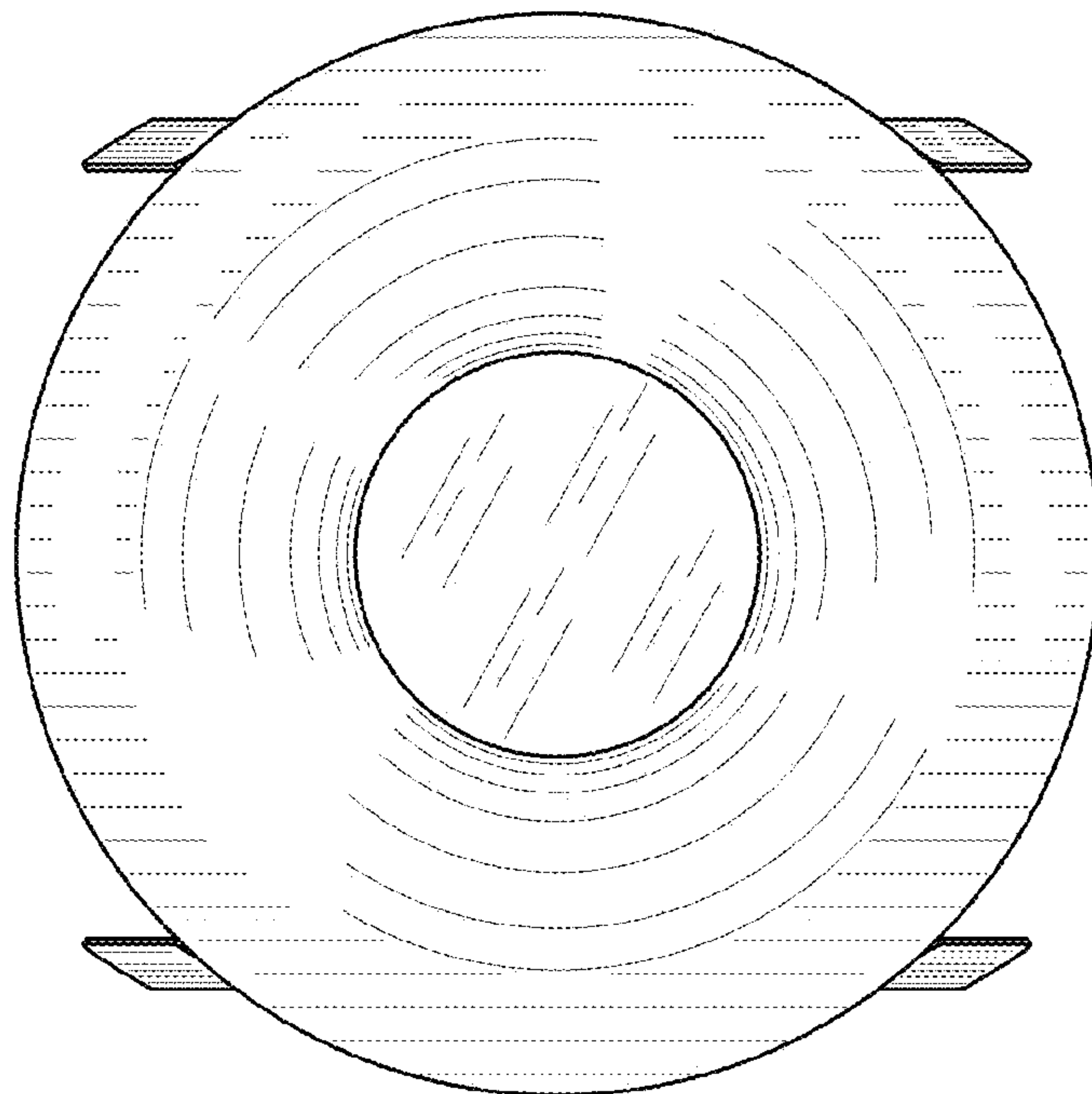


FIG. 7