



US00D698069S

(12) **United States Design Patent**
Messisaen

(10) **Patent No.:** **US D698,069 S**
(45) **Date of Patent:** **** Jan. 21, 2014**

(54) **CEILING SPOT**

(56) **References Cited**

(71) Applicant: **Koninklijke Philips Electronics N.V.**,
Eindhoven (NL)

U.S. PATENT DOCUMENTS

(72) Inventor: **Lieven Messisaen**, Brugge (DE)

D544,979	S	*	6/2007	Hartmann et al.	D26/74
D601,293	S	*	9/2009	MacKenzie	D26/74
D622,434	S	*	8/2010	Ward et al.	D26/74
D633,099	S	*	2/2011	Van de Ven et al.	D15/1
D636,922	S	*	4/2011	Yoshida et al.	D26/74
D638,160	S	*	5/2011	Van De Ven et al.	D26/74
D665,117	S	*	8/2012	Yoshida et al.	D26/74
D674,127	S	*	1/2013	Rowlette et al.	D26/74
8,403,533	B1	*	3/2013	Paulsel	362/249.02
D681,861	S	*	5/2013	Soni	D26/74
D683,882	S	*	6/2013	Rashidi	D26/74
D684,288	S	*	6/2013	Gielen	D26/74
2010/0039829	A1	*	2/2010	Tsai	362/373

(73) Assignee: **Koninklijke Philips N.V.**, Eindhoven
(NL)

(**) Term: **14 Years**

(21) Appl. No.: **29/452,571**

(22) Filed: **Apr. 18, 2013**

* cited by examiner

(30) **Foreign Application Priority Data**

Primary Examiner — Angela J Lee

Oct. 18, 2012 (EM) 002120691-0001

(51) **LOC (10) Cl.** **26-05**

(57) **CLAIM**

The ornamental design for a ceiling spot, as shown.

(52) **U.S. Cl.**

USPC **D26/74**

DESCRIPTION

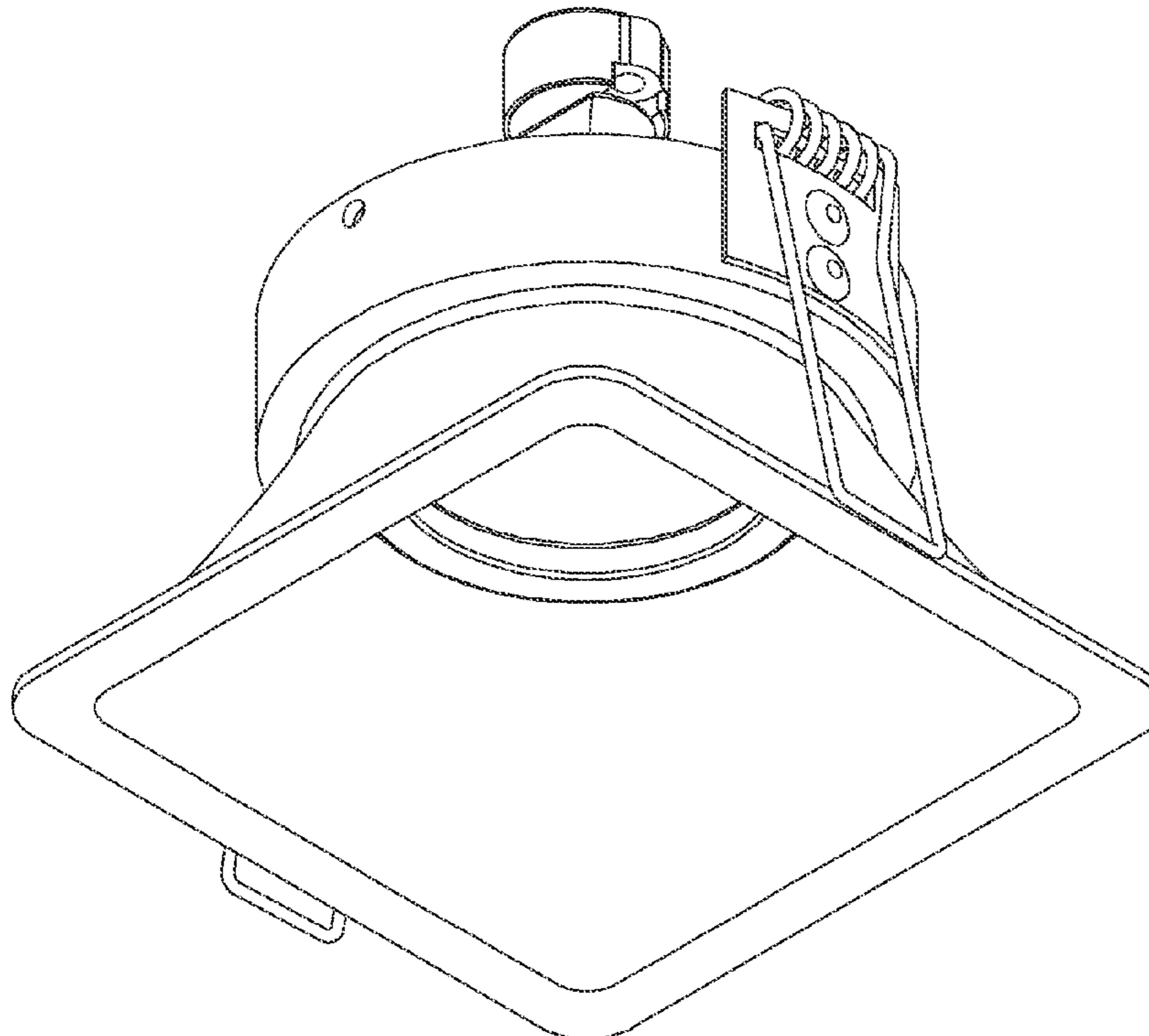
(58) **Field of Classification Search**

USPC D26/74, 113, 118, 119, 120, 122, 138,
D26/141, 24, 58, 59, 67, 72, 76, 77, 78, 79,
D26/80, 81, 82, 83, 84, 85, 86, 88, 89, 90,
D26/91, 93, 105; 362/364, 365, 366, 145,
362/146, 147, 148, 150, 151, 152, 153,
362/153.1, 217.06, 217.07, 219, 294,
362/296.01, 311.07, 311.09

FIG. 1 is a perspective view showing my design;
FIG. 2 is a front elevational view thereof;
FIG. 3 is a rear elevational view thereof;
FIG. 4 is a right side elevational view thereof;
FIG. 5 is a left side elevational view thereof;
FIG. 6 is a top plan view thereof; and,
FIG. 7 is a bottom plan view thereof.

See application file for complete search history.

1 Claim, 4 Drawing Sheets



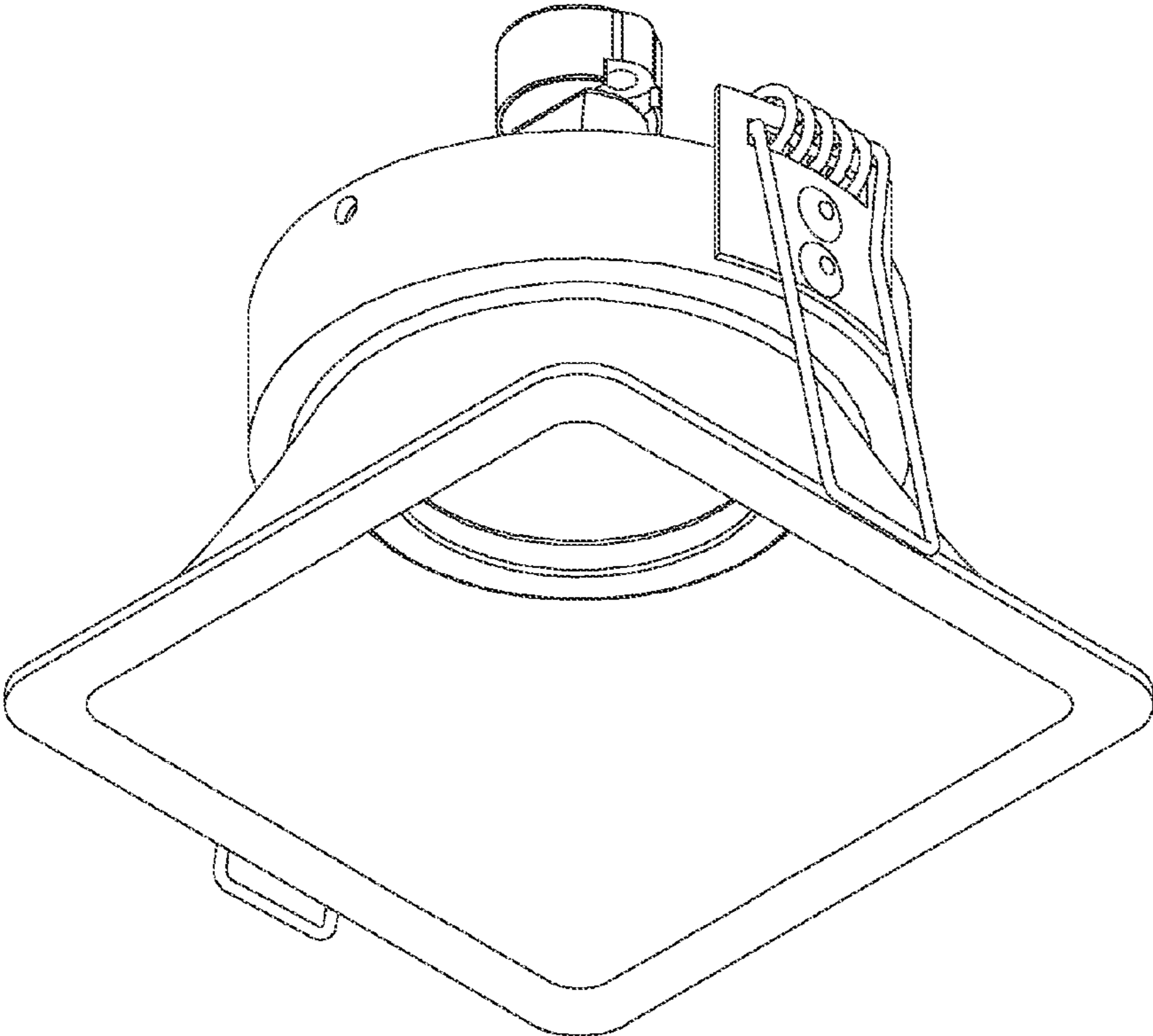


FIG. 1

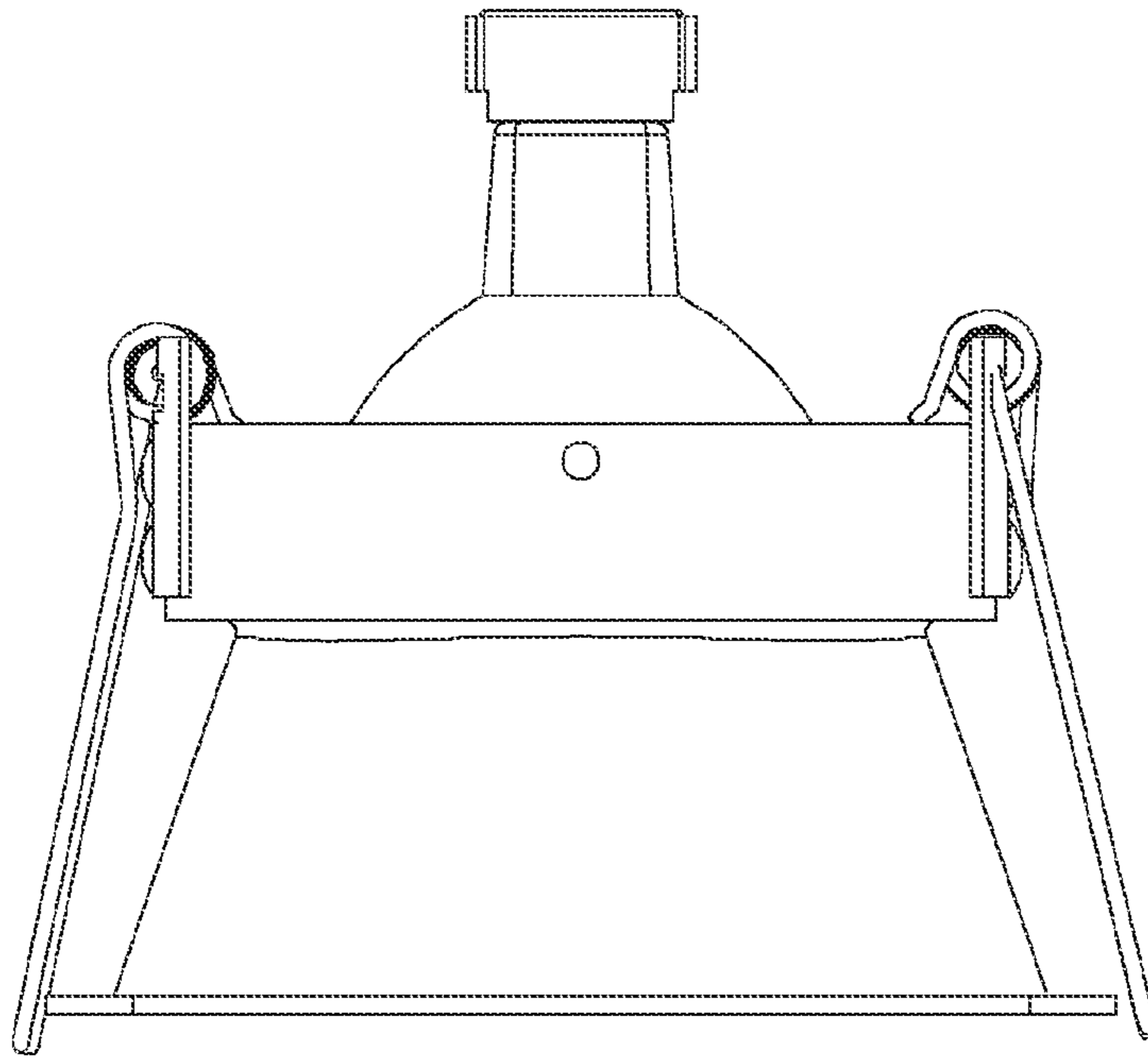


FIG. 2

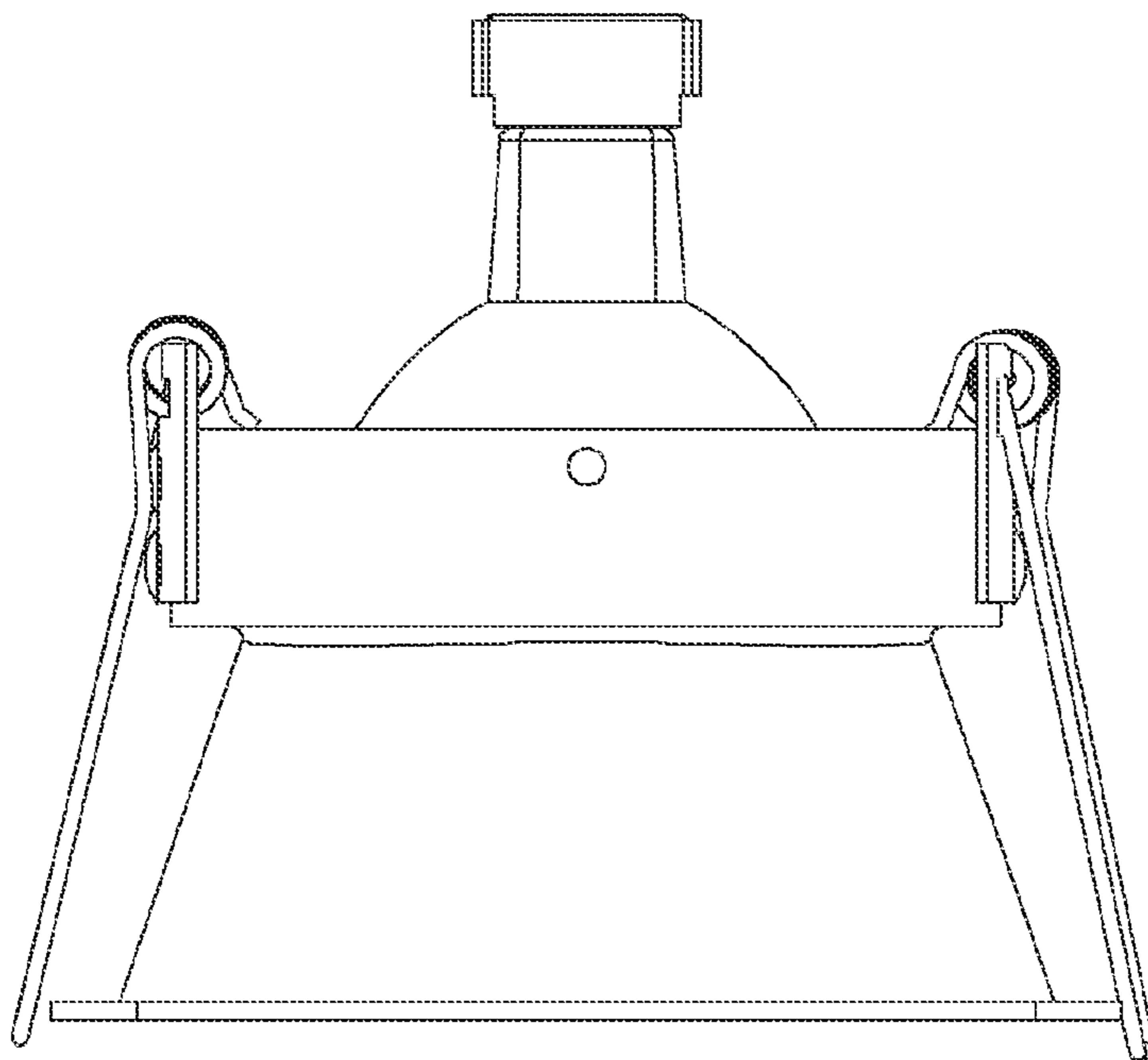


FIG. 3

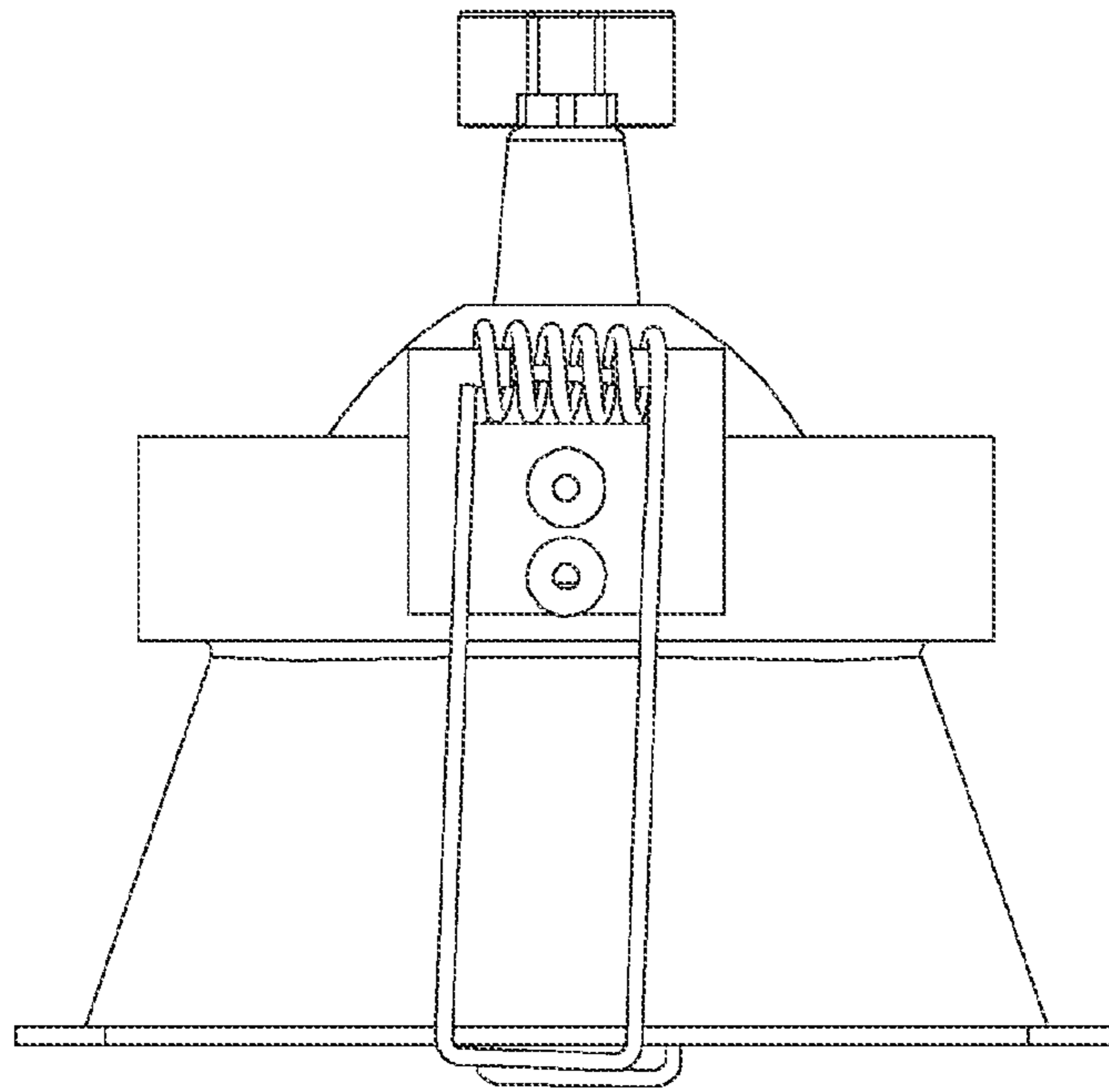


FIG. 4

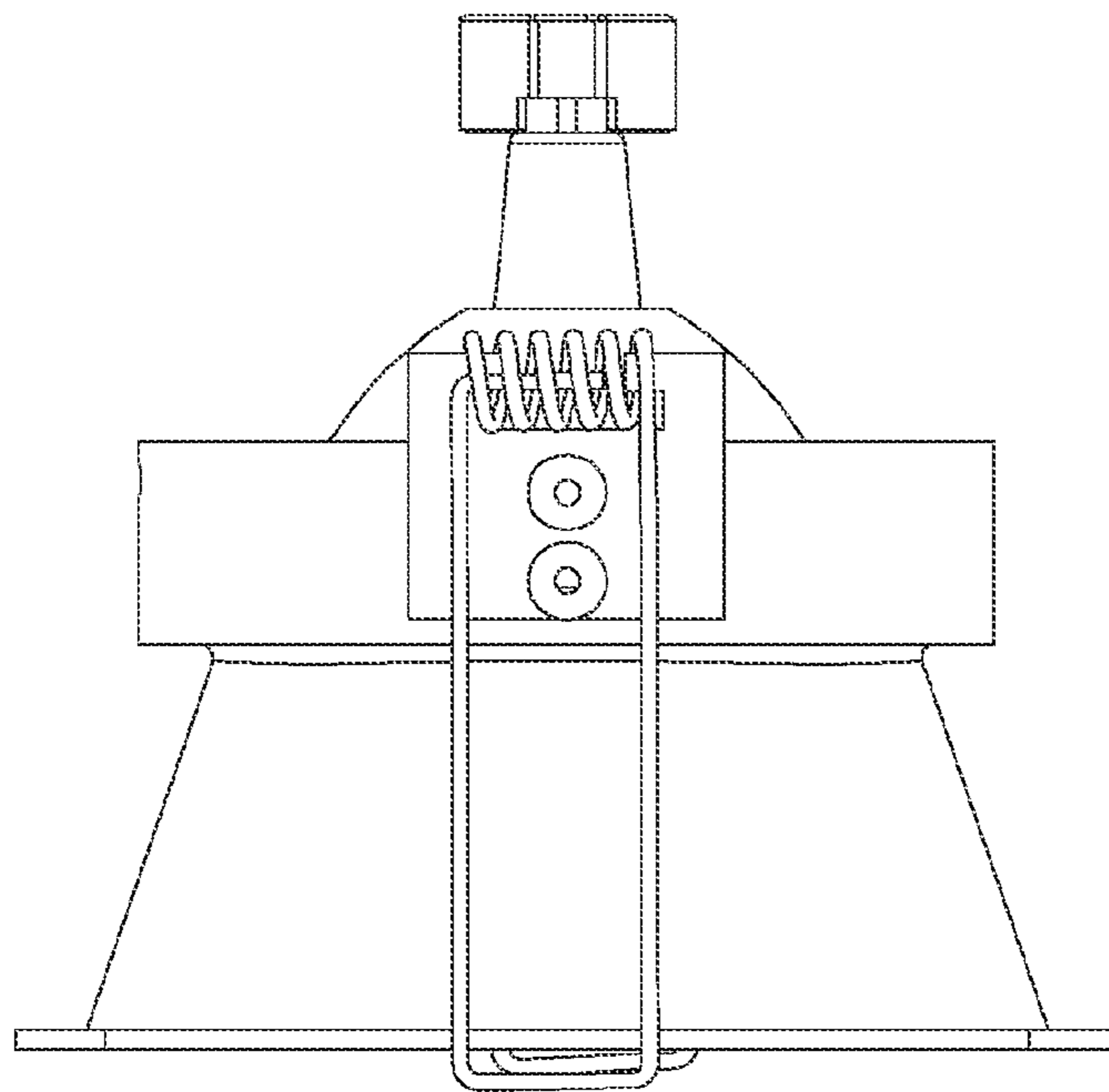


FIG. 5

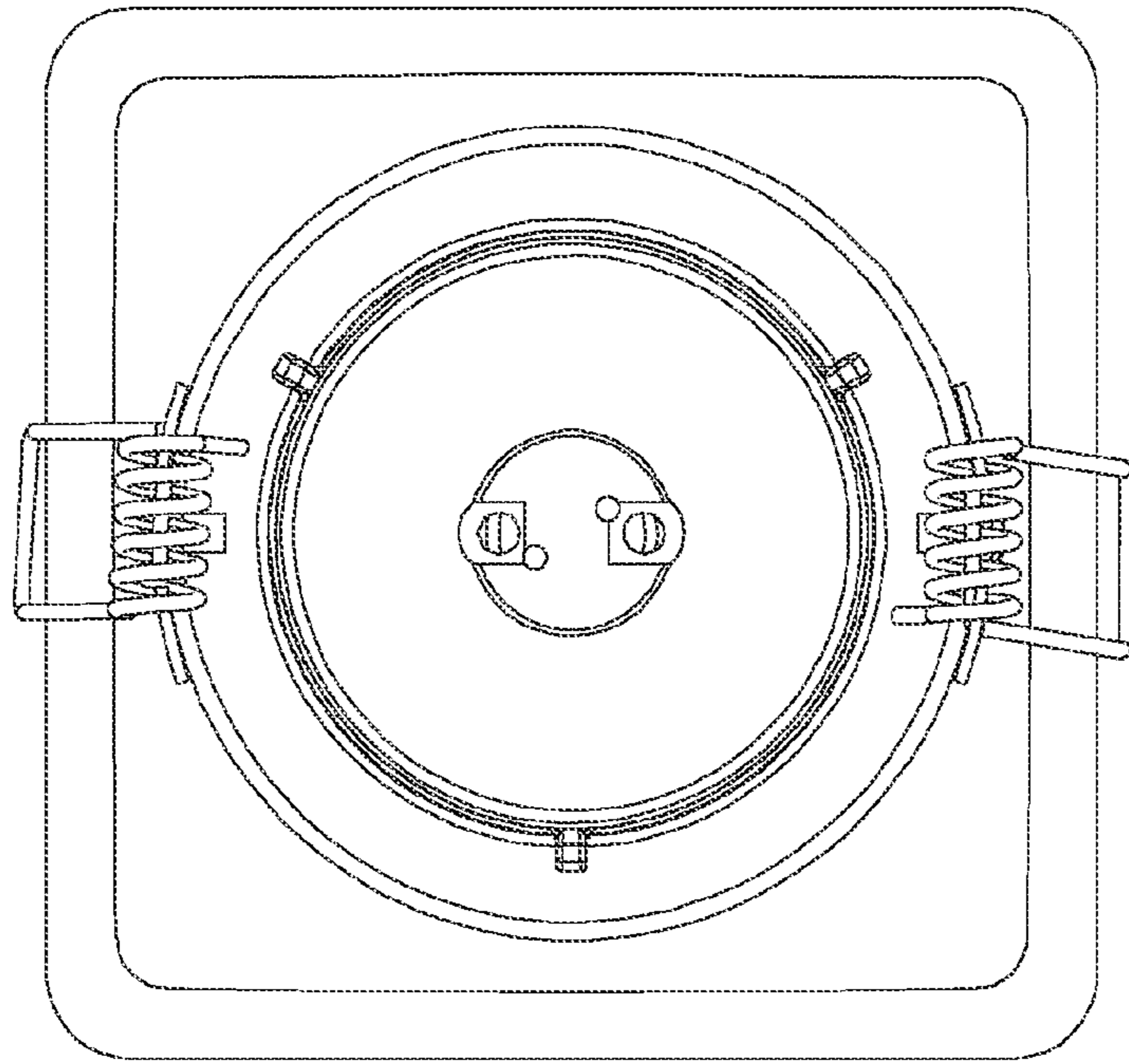


FIG. 6

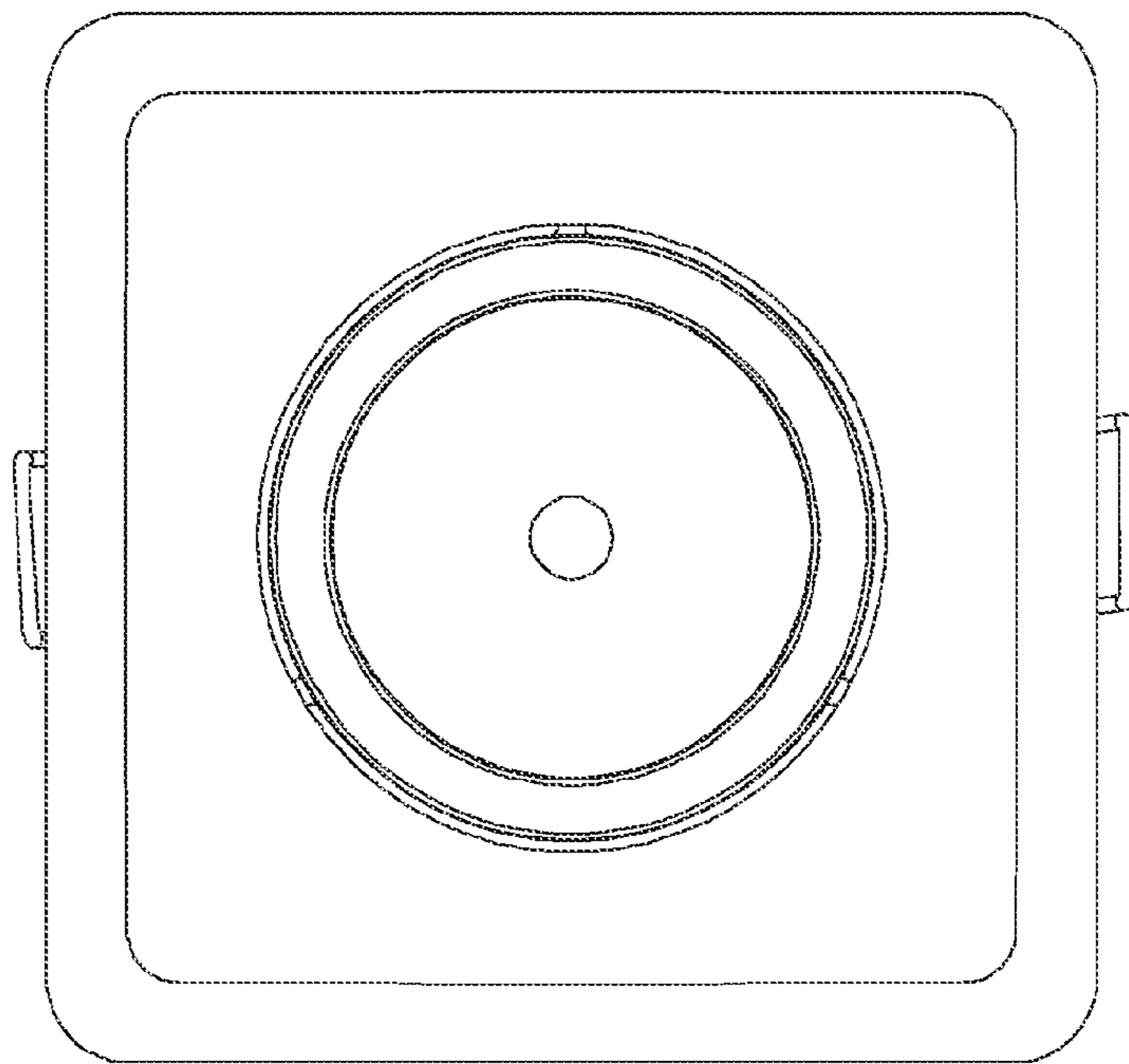


FIG. 7