



US00D698068S

(12) **United States Design Patent**
Rashidi

(10) **Patent No.:** **US D698,068 S**
(45) **Date of Patent:** **** Jan. 21, 2014**

(54) **LED DOWNLIGHT RETROFIT LUMINAIRE WITH DOUBLE LEAF SPRING MOUNTING MECHANISM AND ROTATING FRICTION BLADES TO ACCOMMODATE HOUSINGS**

(71) Applicant: **Hamid Rashidi**, Commerce, CA (US)

(72) Inventor: **Hamid Rashidi**, Commerce, CA (US)

(**) Term: **14 Years**

(21) Appl. No.: **29/446,270**

(22) Filed: **Feb. 21, 2013**

(51) **LOC (10) Cl.** **26-05**

(52) **U.S. Cl.**
USPC **D26/74**

(58) **Field of Classification Search**

USPC D26/74, 113, 118, 119, 120, 122, 138,
D26/141, 24, 58, 59, 67, 72, 75, 76, 77, 78,
D26/79, 80, 81, 82, 83, 84, 85, 86, 88, 89,
D26/90, 91, 93, 105; 362/364, 365, 366,
362/145, 146, 147, 148, 150, 151, 152, 153,
362/153.1, 217.06, 217.07, 219, 294,
362/296.01, 311.07, 311.09

See application file for complete search history.

(56) **References Cited**

U.S. PATENT DOCUMENTS

D544,979 S * 6/2007 Hartmann et al. D26/74
D548,390 S * 8/2007 Lecluze D26/138
D551,797 S * 9/2007 Rashidi D26/118
D625,876 S * 10/2010 Chen et al. D26/74
D636,922 S * 4/2011 Yoshida et al. D26/74

D638,160 S * 5/2011 Van De Ven et al. D26/74
D665,117 S * 8/2012 Yoshida et al. D26/74
D681,863 S * 5/2013 Chen et al. D26/74
D683,882 S * 6/2013 Rashidi D26/74
D684,289 S * 6/2013 Goelz et al. D26/74
D684,291 S * 6/2013 Goelz et al. D26/74
2012/0182744 A1 * 7/2012 Santiago et al. 362/365

* cited by examiner

Primary Examiner — Angela J Lee

(74) *Attorney, Agent, or Firm* — Thomas I. Rozsa

(57) **CLAIM**

The ornamental design for an LED downlight retrofit luminaire with double leaf spring mounting mechanism and rotating friction blades to accommodate housings, as shown and described.

DESCRIPTION

FIG. 1 is a top perspective view of the LED downlight retrofit luminaire with double leaf spring mounting mechanism and rotating friction blades to accommodate housings, showing my new design;

FIG. 2 is a front elevational view thereof;

FIG. 3 is a rear elevational view thereof;

FIG. 4 is a left side elevational view thereof;

FIG. 5 is a right side elevational view thereof;

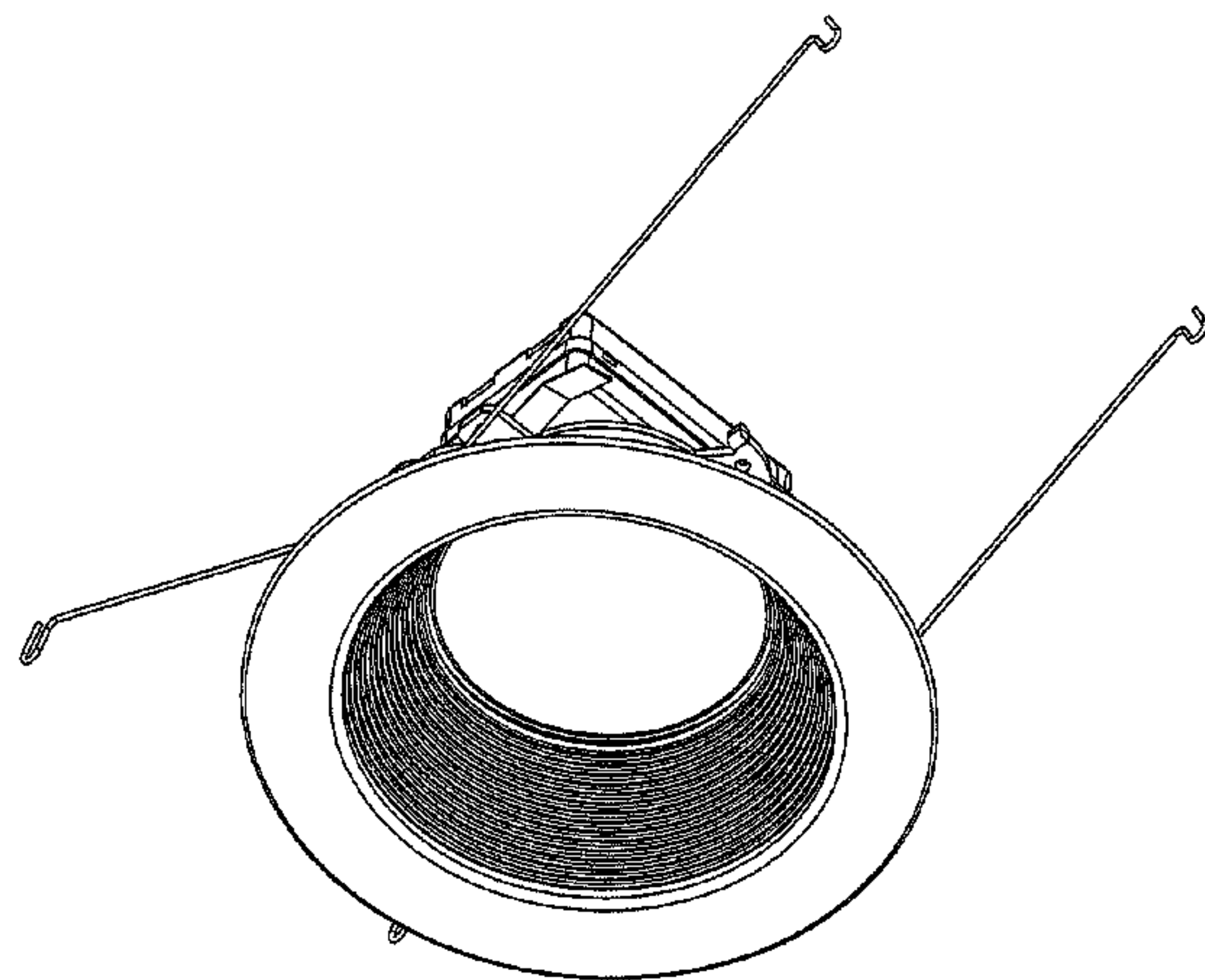
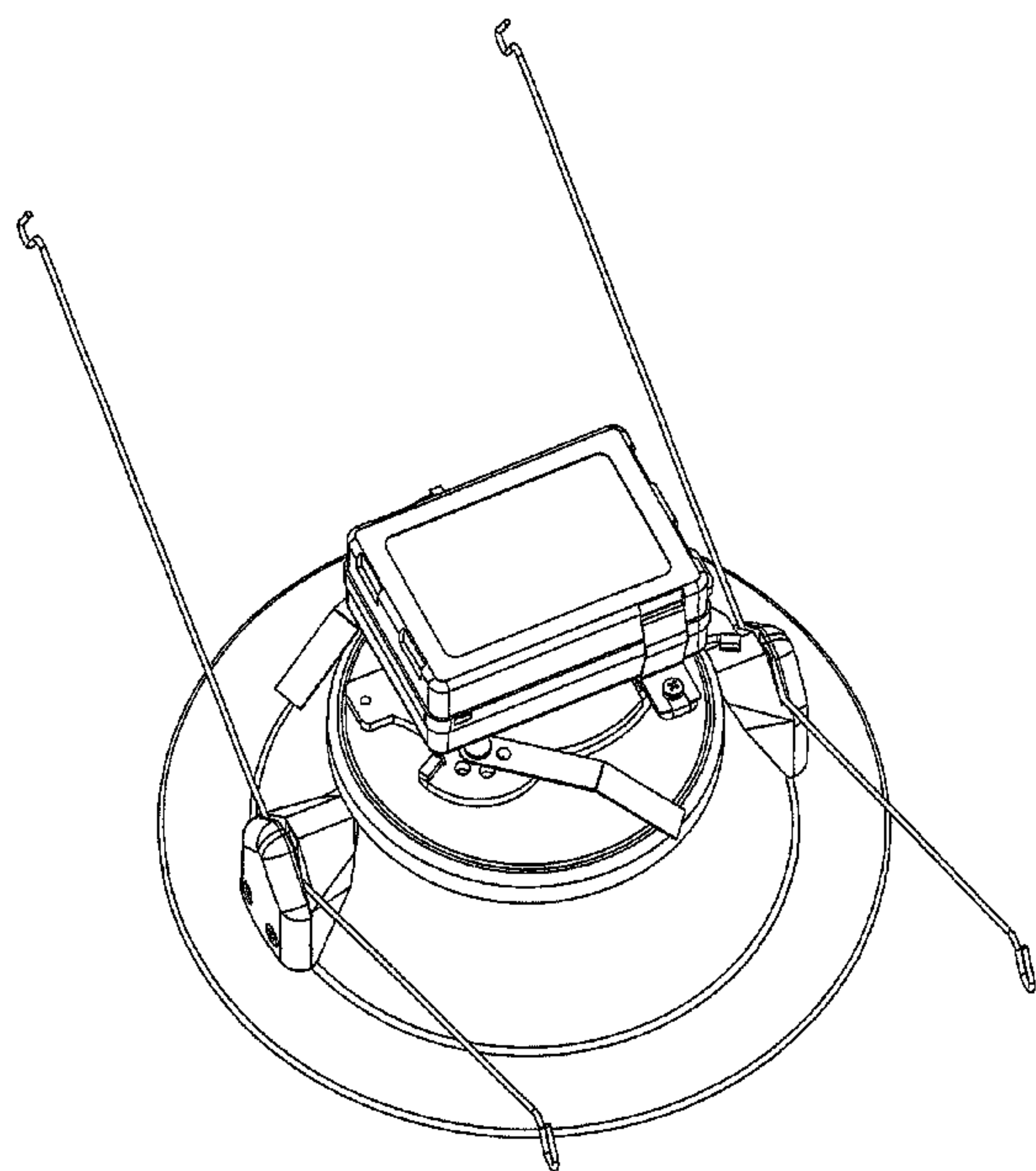
FIG. 6 is a top plan view thereof;

FIG. 7 is a bottom plan view thereof;

FIG. 8 is a bottom perspective view thereof; and,

FIG. 9 is an exploded view thereof.

1 Claim, 9 Drawing Sheets



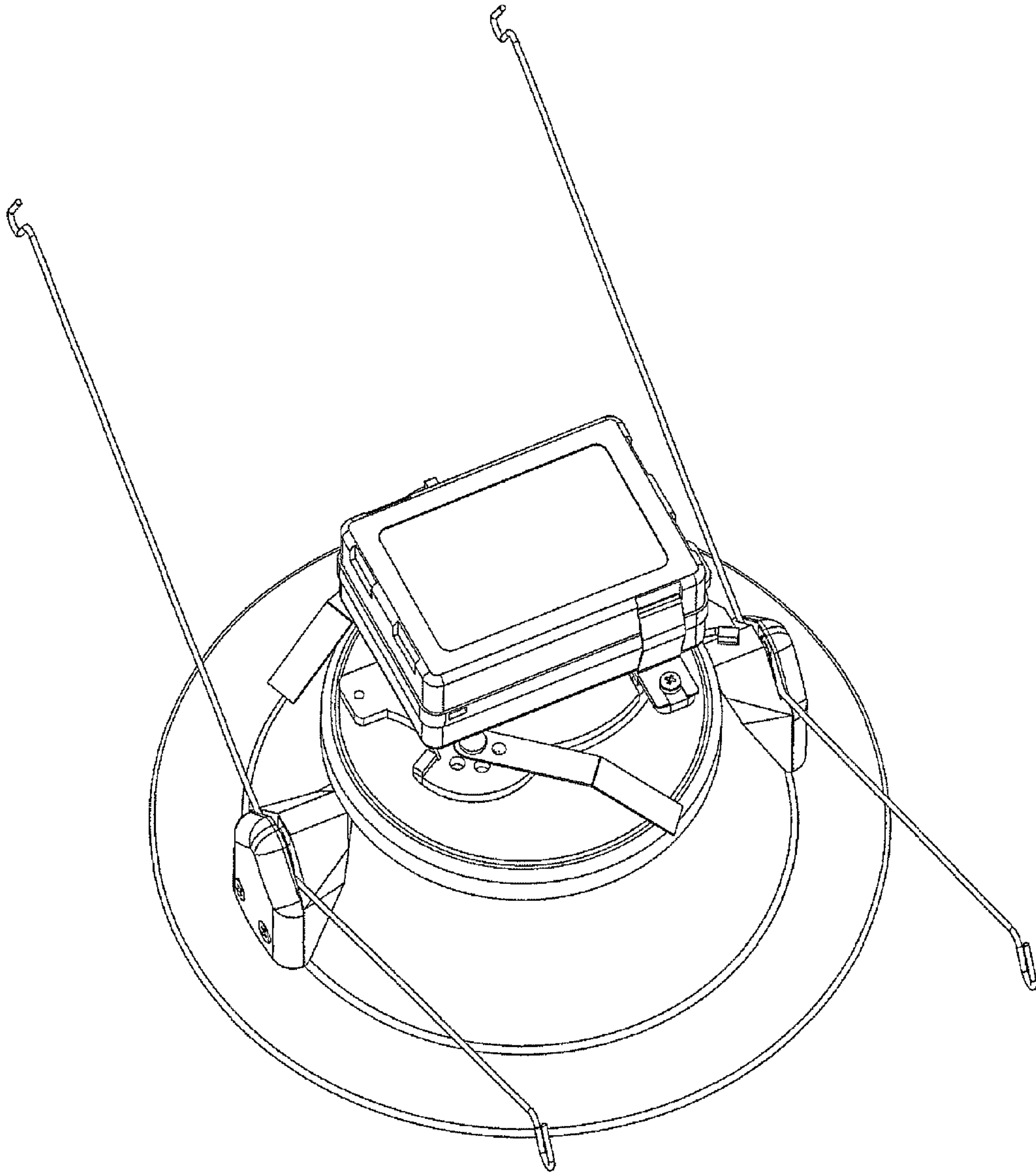


FIG. 1

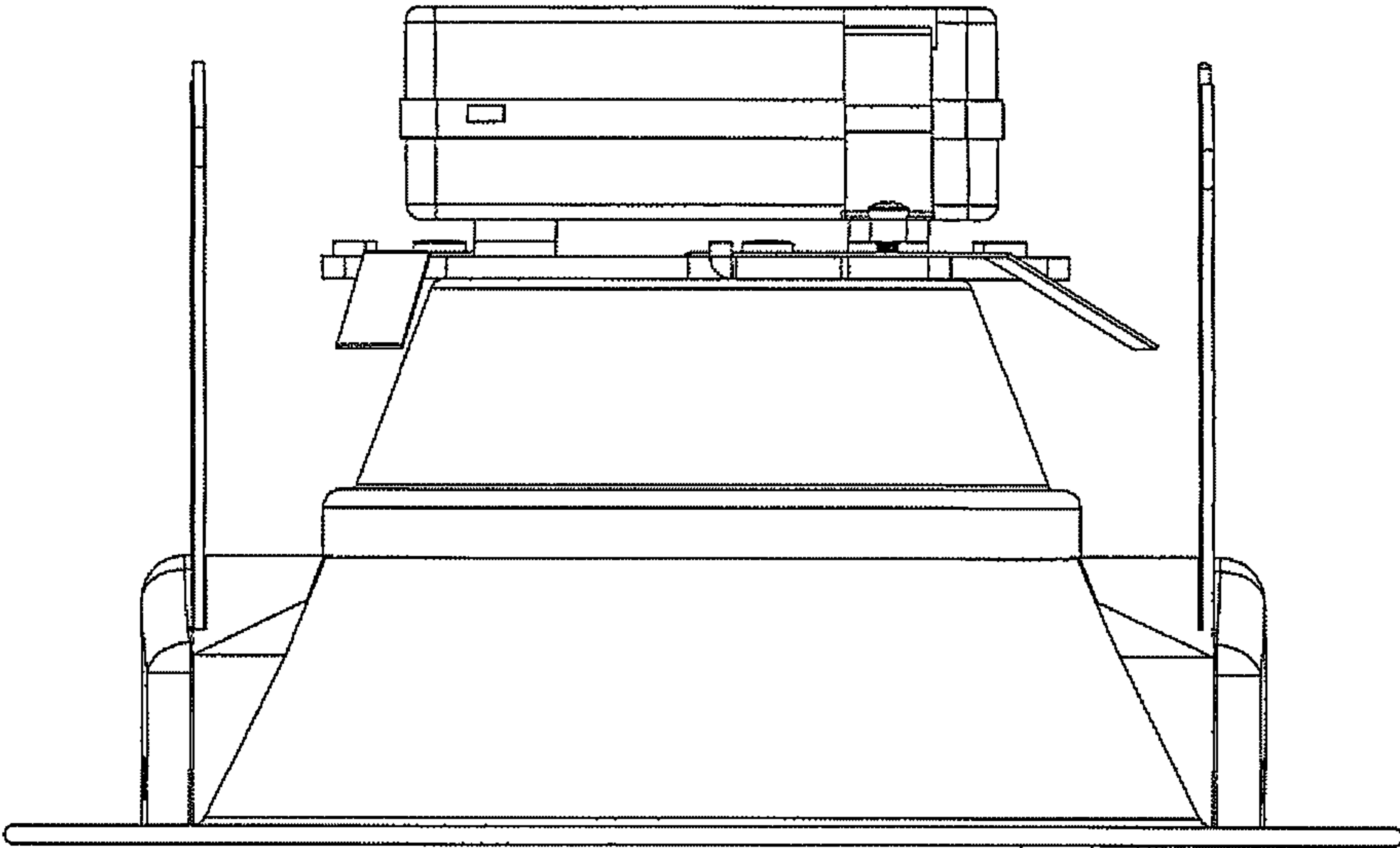


FIG.2

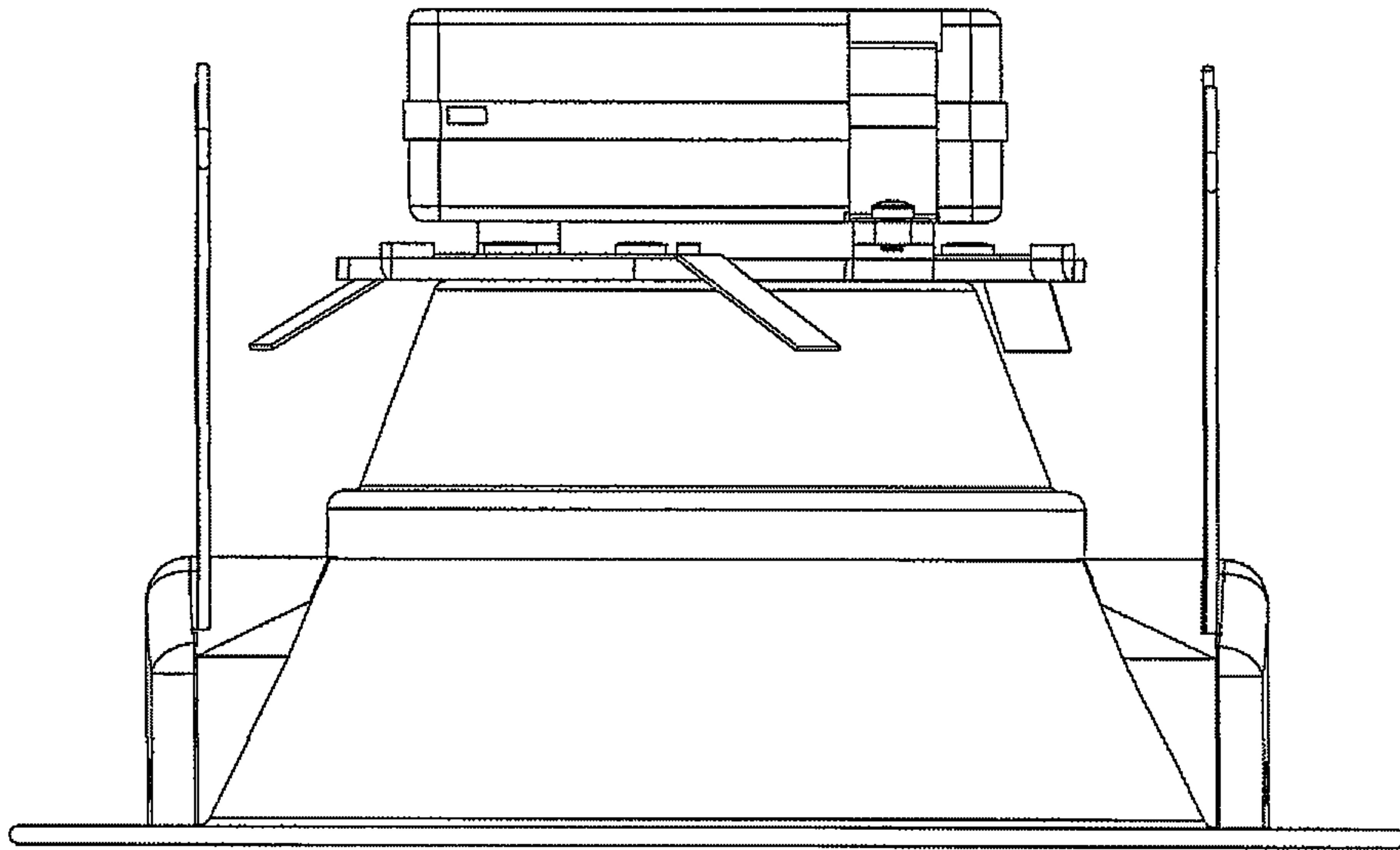


FIG.3

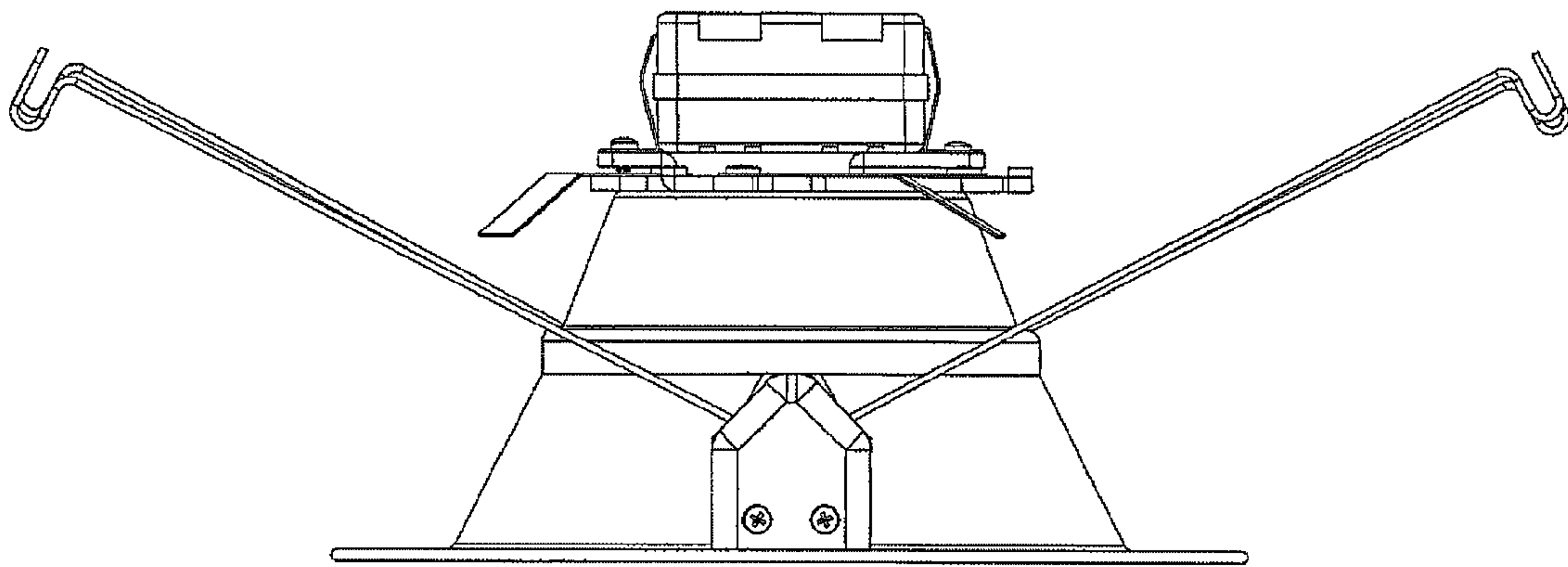


FIG.4

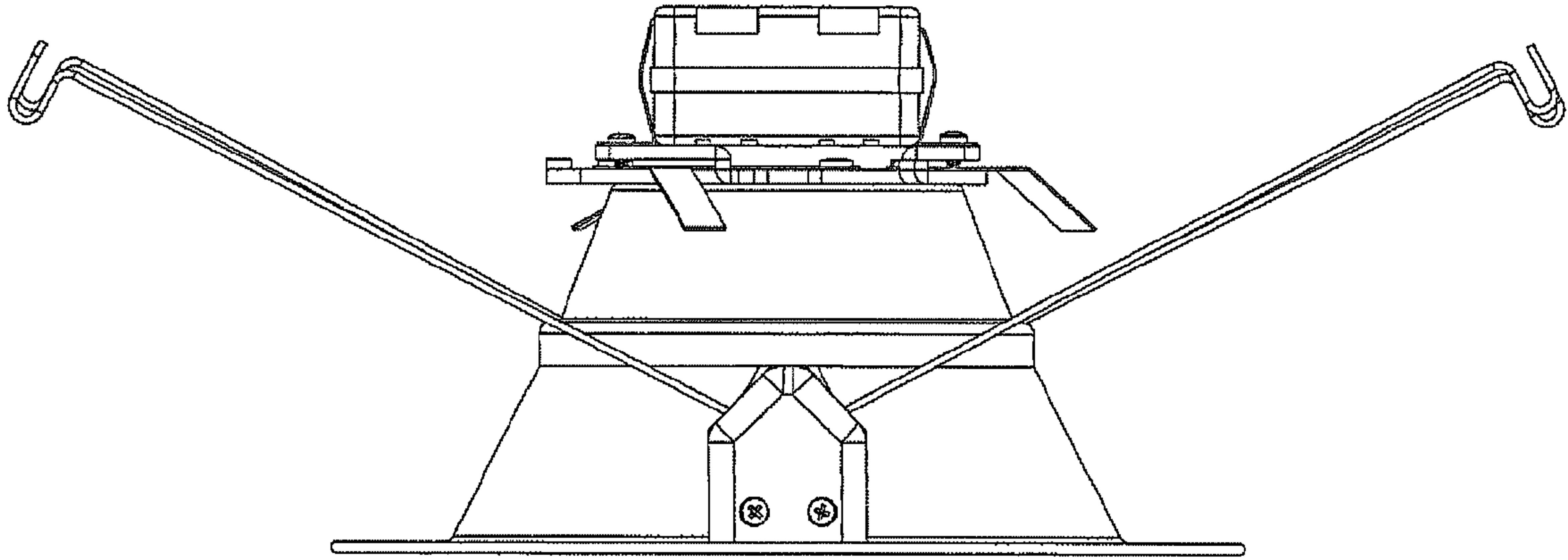


FIG.5

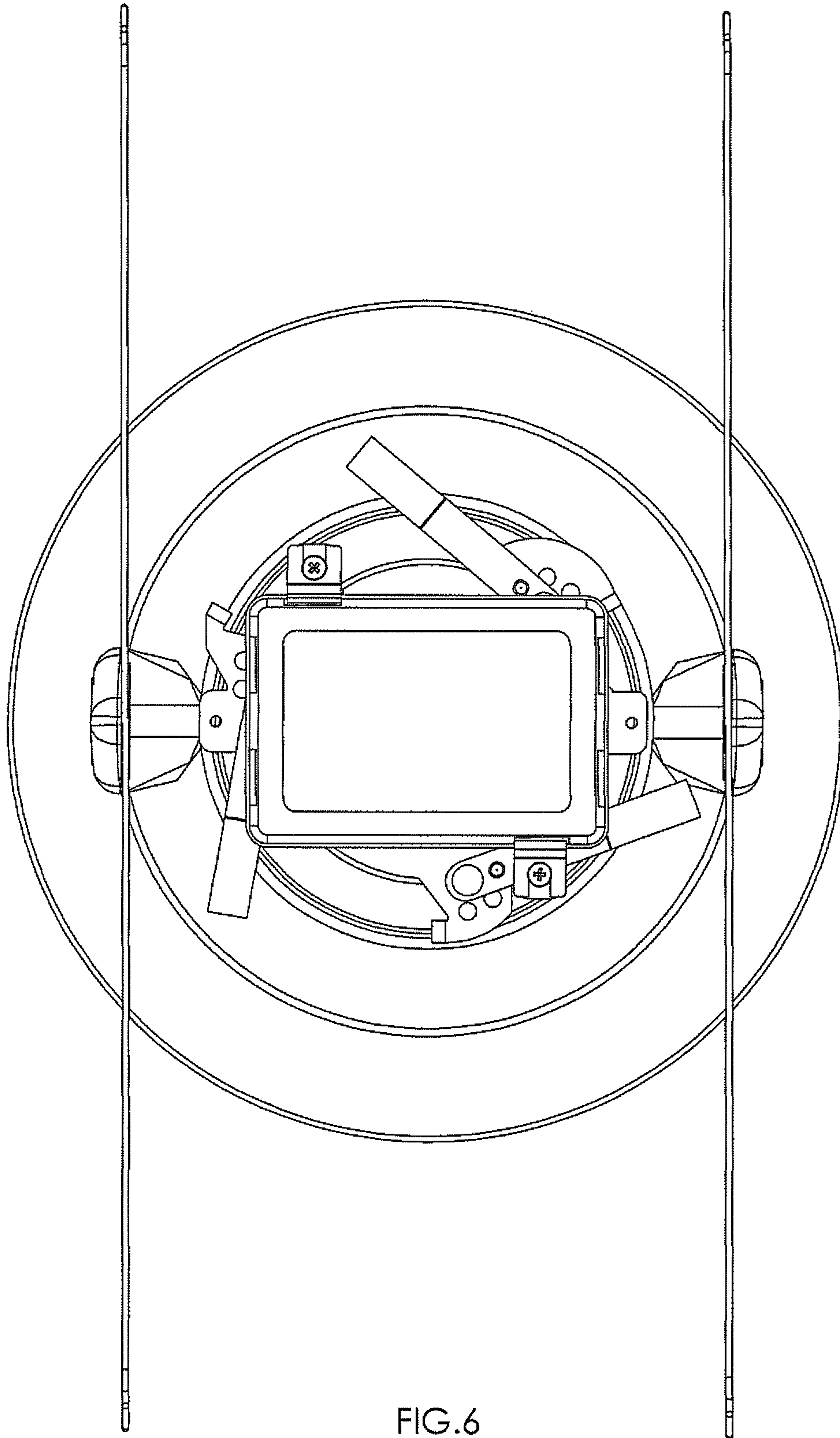


FIG.6

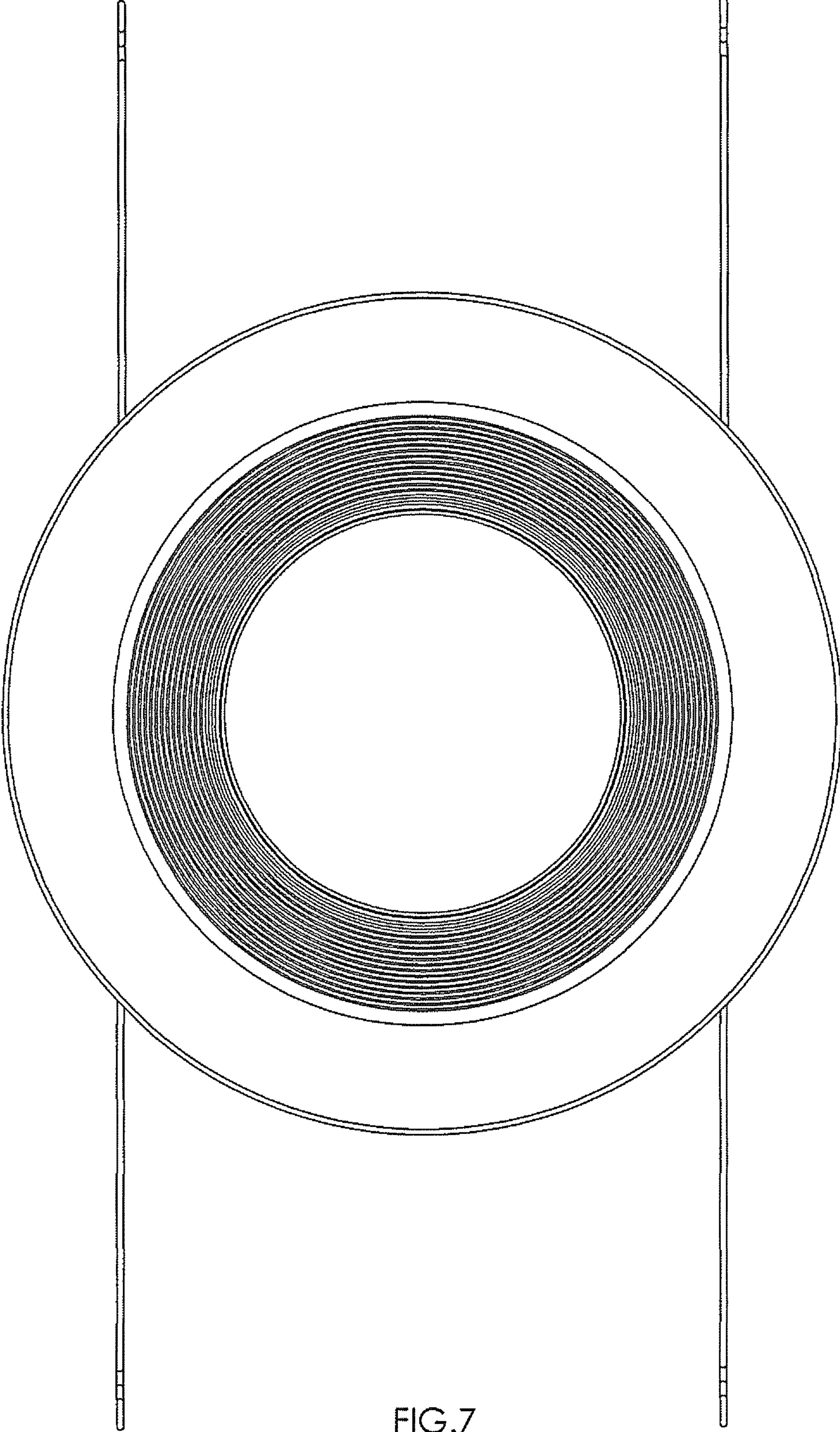


FIG.7

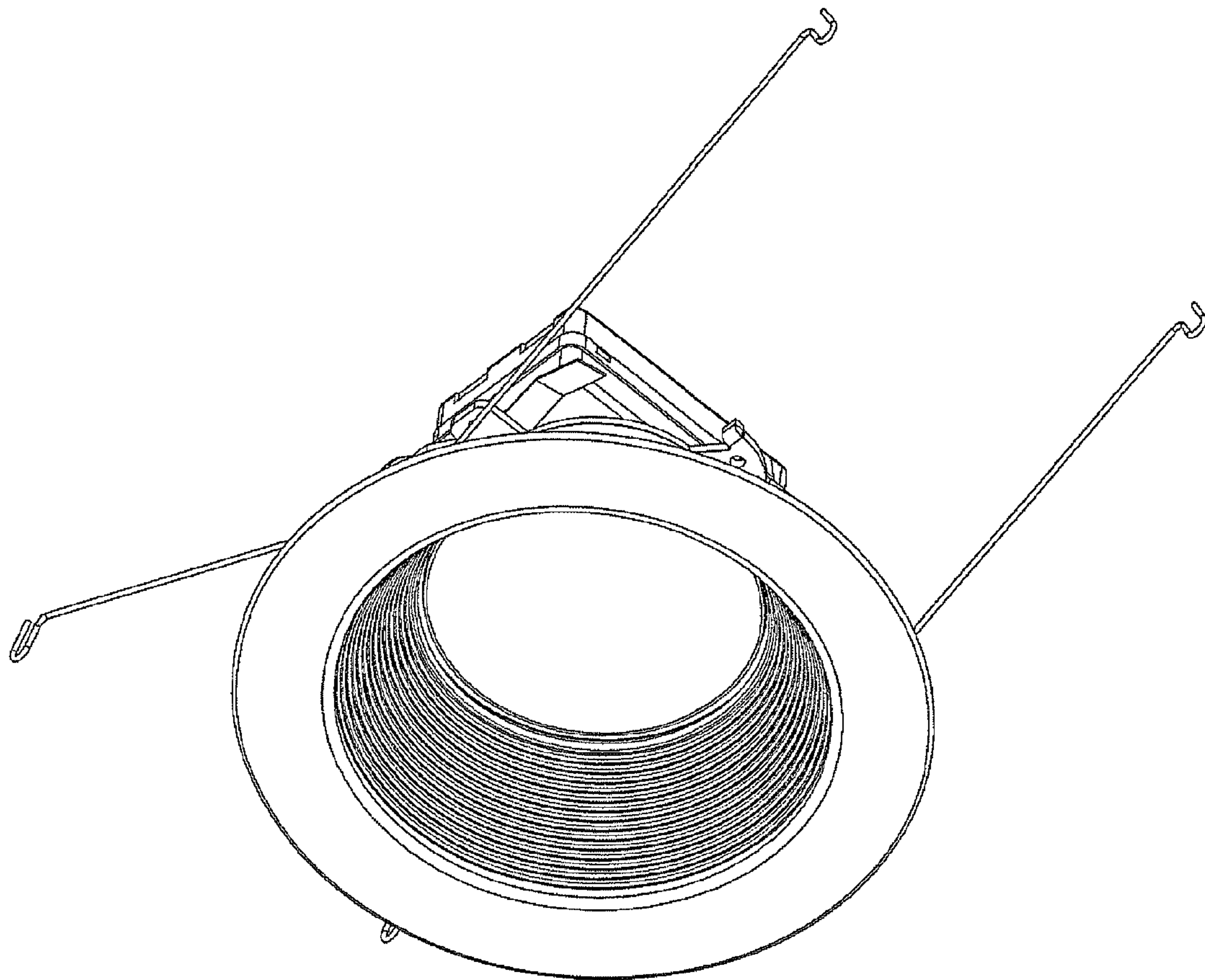


FIG.8

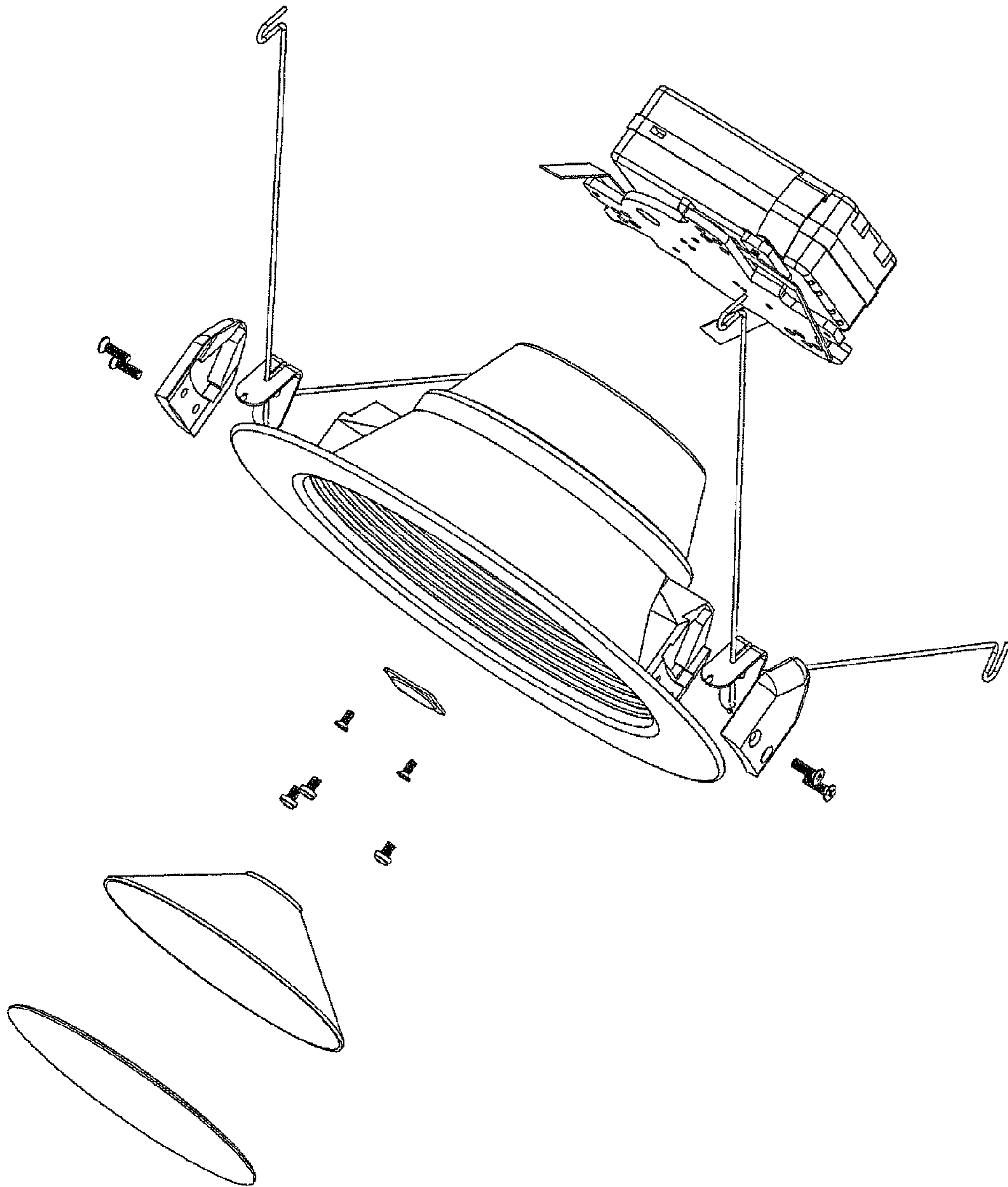


FIG.9