



US00D698067S

(12) **United States Design Patent**
Rashidi

(10) **Patent No.:** **US D698,067 S**

(45) **Date of Patent:** **** *Jan. 21, 2014**

(54) **RECESSED LIGHTING FIXTURE WITH HEAT SINK INCORPORATING FRICTION FIT FRICTION BLADES WITH REFLECTOR TRIM**

(76) Inventor: **Hamid Rashidi**, Commerce, CA (US)

(*) Notice: This patent is subject to a terminal disclaimer.

(**) Term: **14 Years**

(21) Appl. No.: **29/407,660**

(22) Filed: **Nov. 30, 2011**

(51) **LOC (10) Cl.** **26-05**

(52) **U.S. Cl.**
USPC **D26/74**

(58) **Field of Classification Search**
USPC D26/24, 72, 80, 81, 83, 85, 88, 89, 91,
D26/113, 118, 123, 124, 138, 74, 76;
362/145, 146, 147, 148, 150, 153, 294,
362/296.01, 296.07, 296.08, 311.07,
362/311.09, 311.1, 345, 364, 365, 366, 373
See application file for complete search history.

(56) **References Cited**

U.S. PATENT DOCUMENTS

D326,537 S *	5/1992	Gattari	D26/74
D326,729 S *	6/1992	Gattari	D26/74
D591,894 S *	5/2009	Flank	D26/74
D610,290 S *	2/2010	Yoshinobu et al.	D26/74

D656,262 S *	3/2012	Yoshinobu et al.	D26/74
D658,802 S *	5/2012	Chen	D26/74
D663,466 S *	7/2012	Rashidi	D26/74
D667,155 S *	9/2012	Rashidi	D26/74
8,262,255 B1 *	9/2012	Rashidi	362/249.02
D668,809 S *	10/2012	Rashidi	D26/74
2009/0129086 A1 *	5/2009	Thompson, III	362/249.02
2010/0128491 A1 *	5/2010	Hashimoto et al.	362/365
2011/0222291 A1 *	9/2011	Peng	362/294

* cited by examiner

Primary Examiner — Angela J Lee

(74) *Attorney, Agent, or Firm* — Thomas I. Rozsa

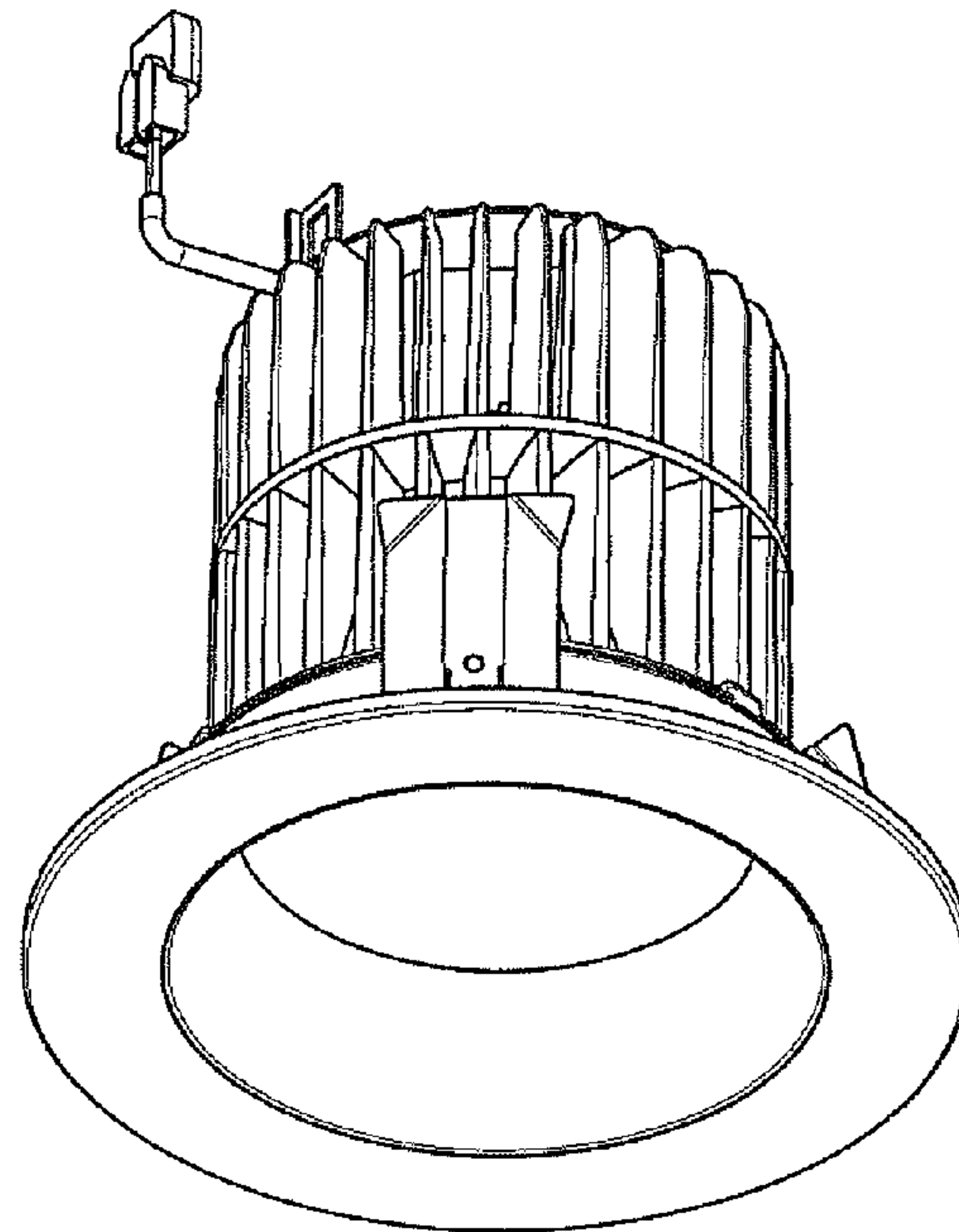
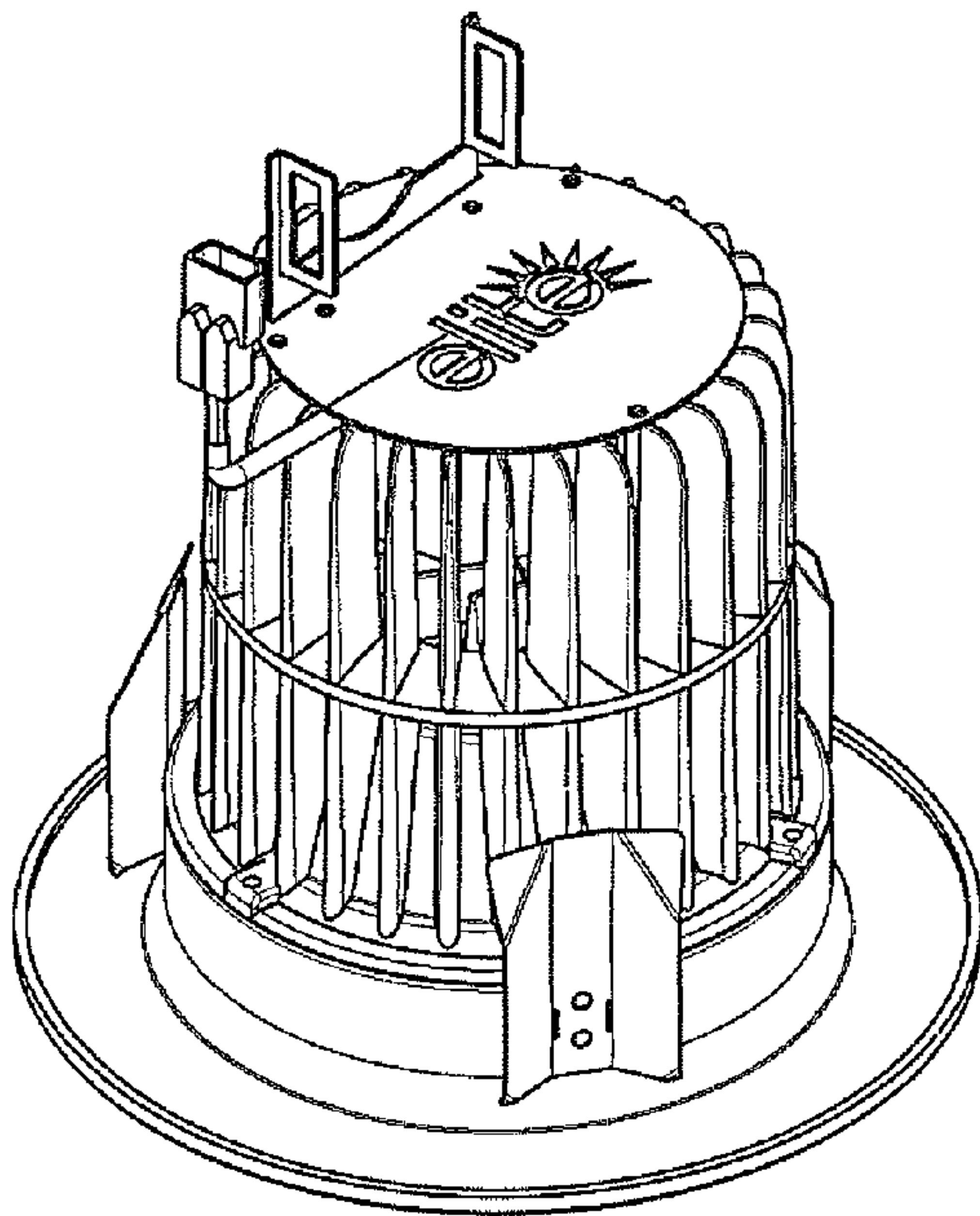
(57) **CLAIM**

The ornamental design for a recessed lighting fixture with heat sink incorporating friction fit friction blades with reflector trim, as shown and described.

DESCRIPTION

FIG. 1 is a perspective view of the recessed lighting fixture with heat sink incorporating friction fit friction blades with reflector trim, showing my design;
FIG. 2 is a perspective view when viewed from the bottom at an upwardly extending angle;
FIG. 3 is a left side elevational view thereof;
FIG. 4 is a right side elevational view thereof;
FIG. 5 is a front elevational view thereof;
FIG. 6 is a rear elevational view thereof;
FIG. 7 is a top plan view thereof; and,
FIG. 8 is a bottom plan view thereof.

1 Claim, 8 Drawing Sheets



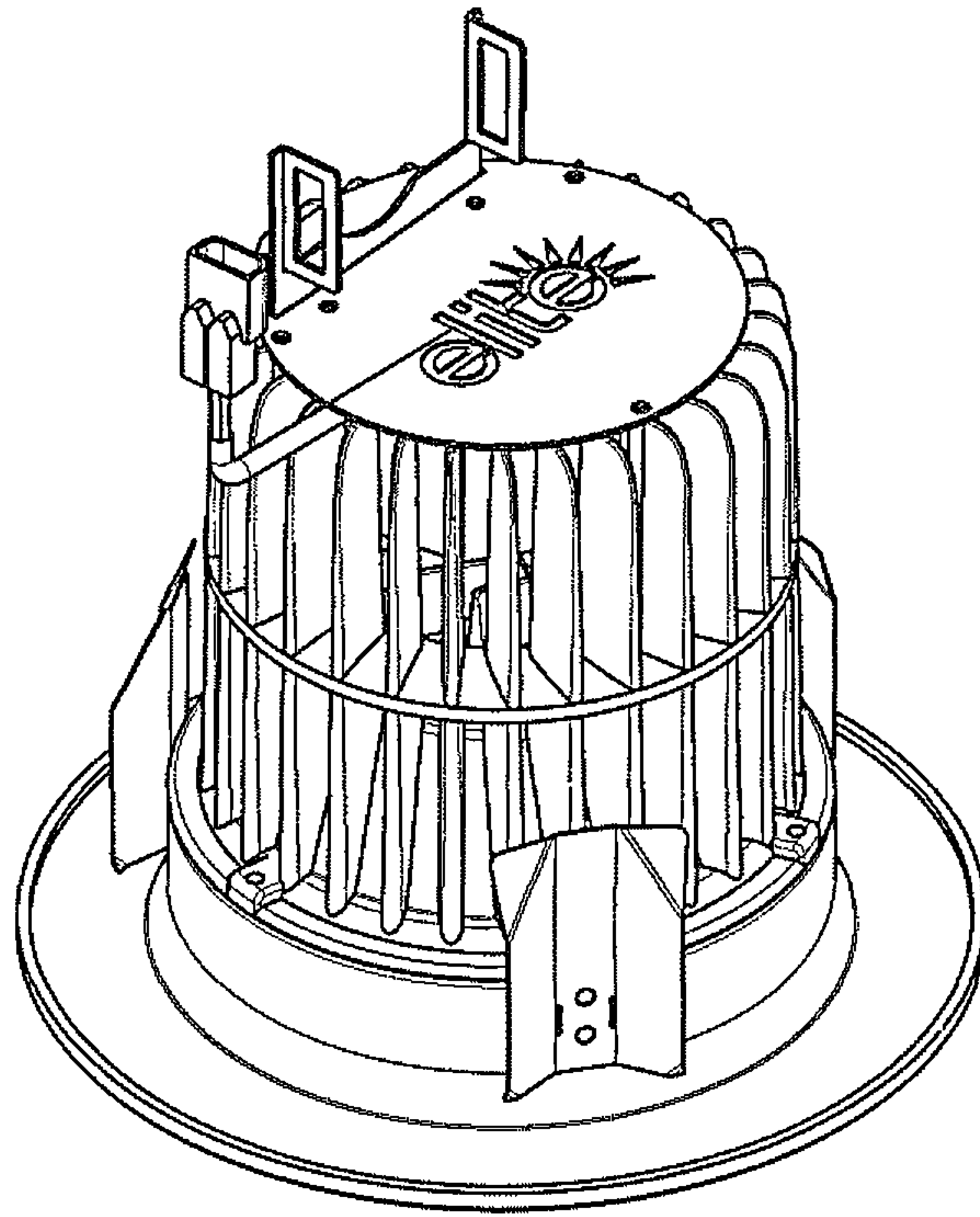


FIG. 1

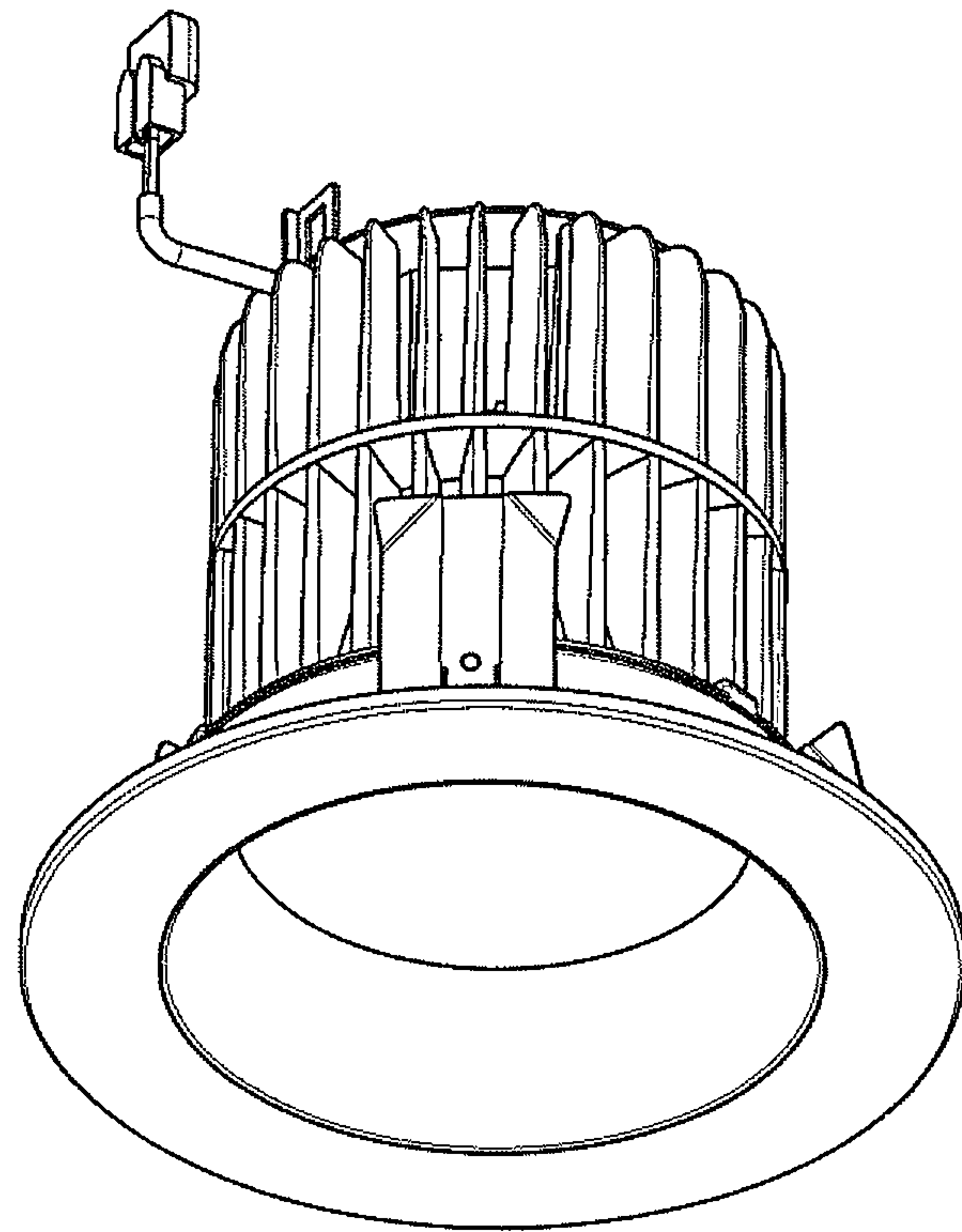


FIG.2

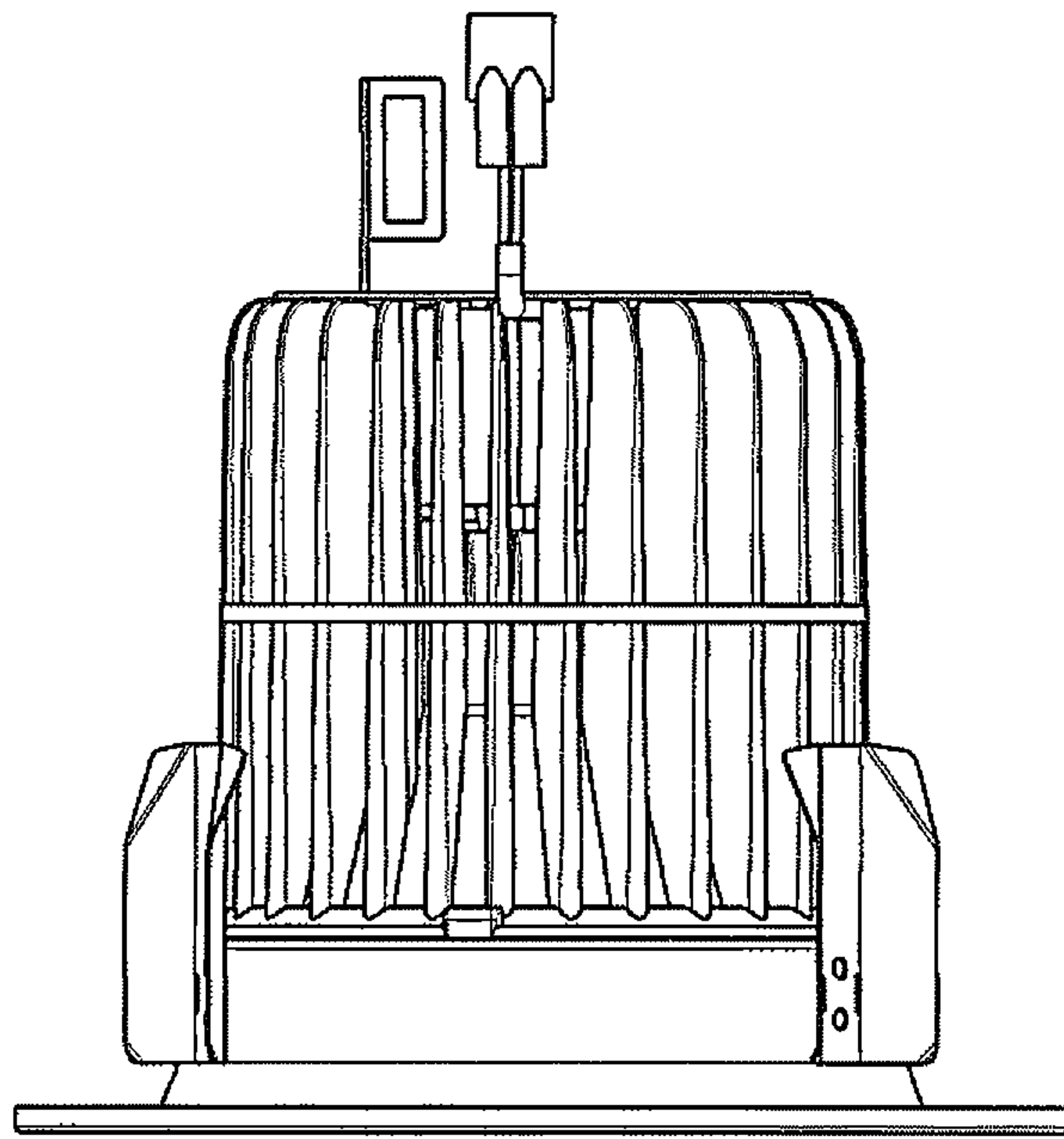


FIG. 3

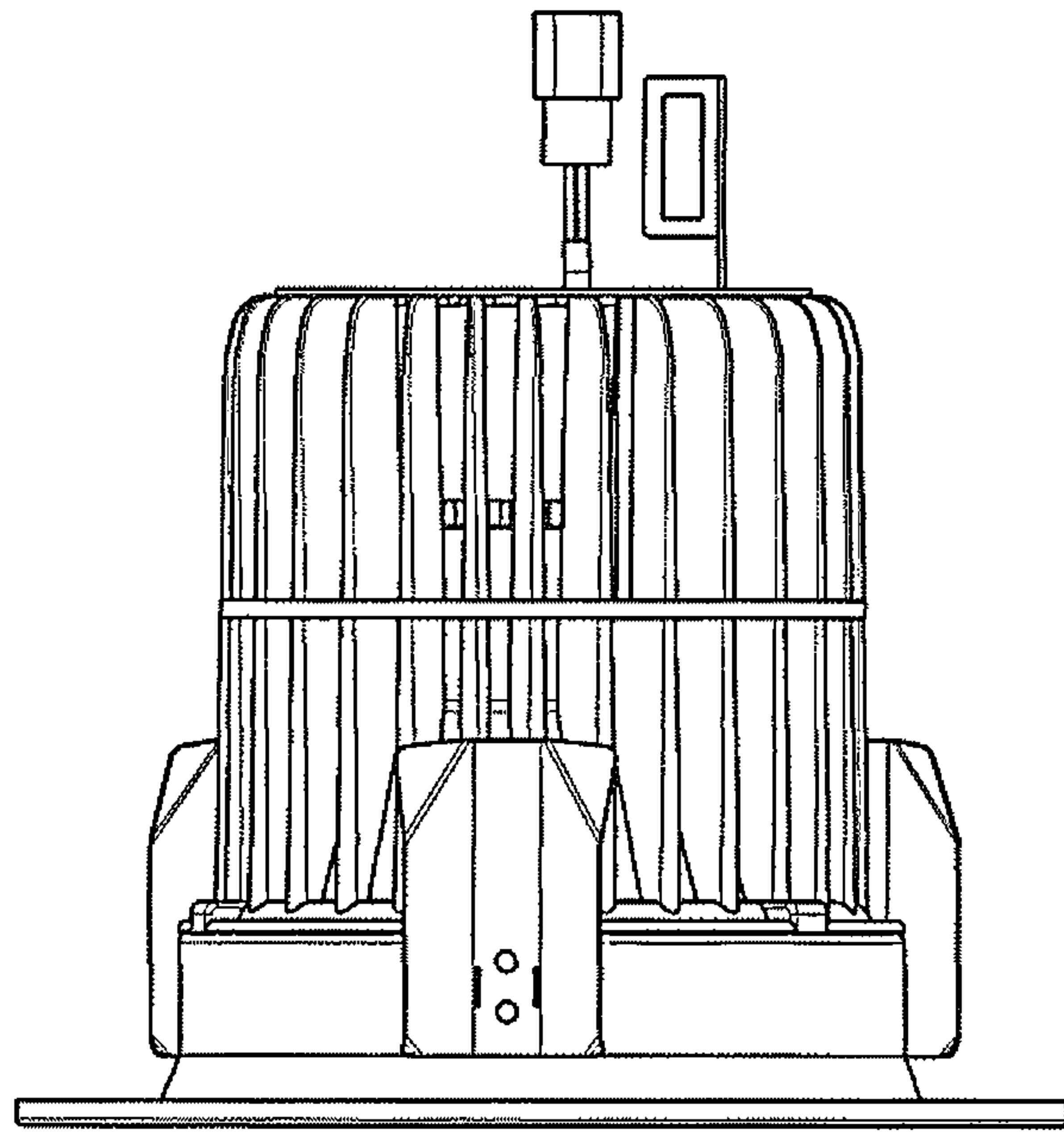


FIG. 4

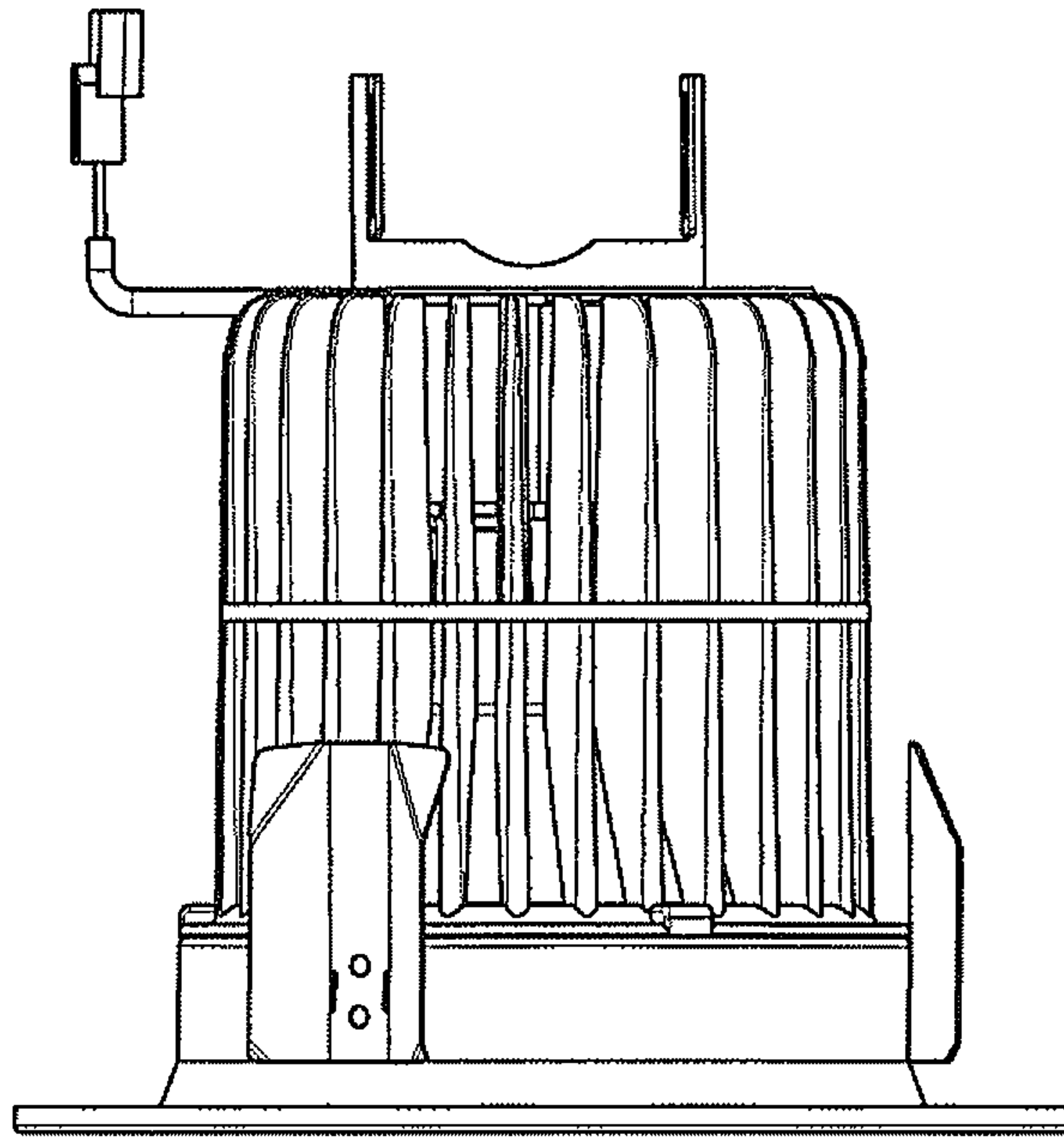


FIG. 5

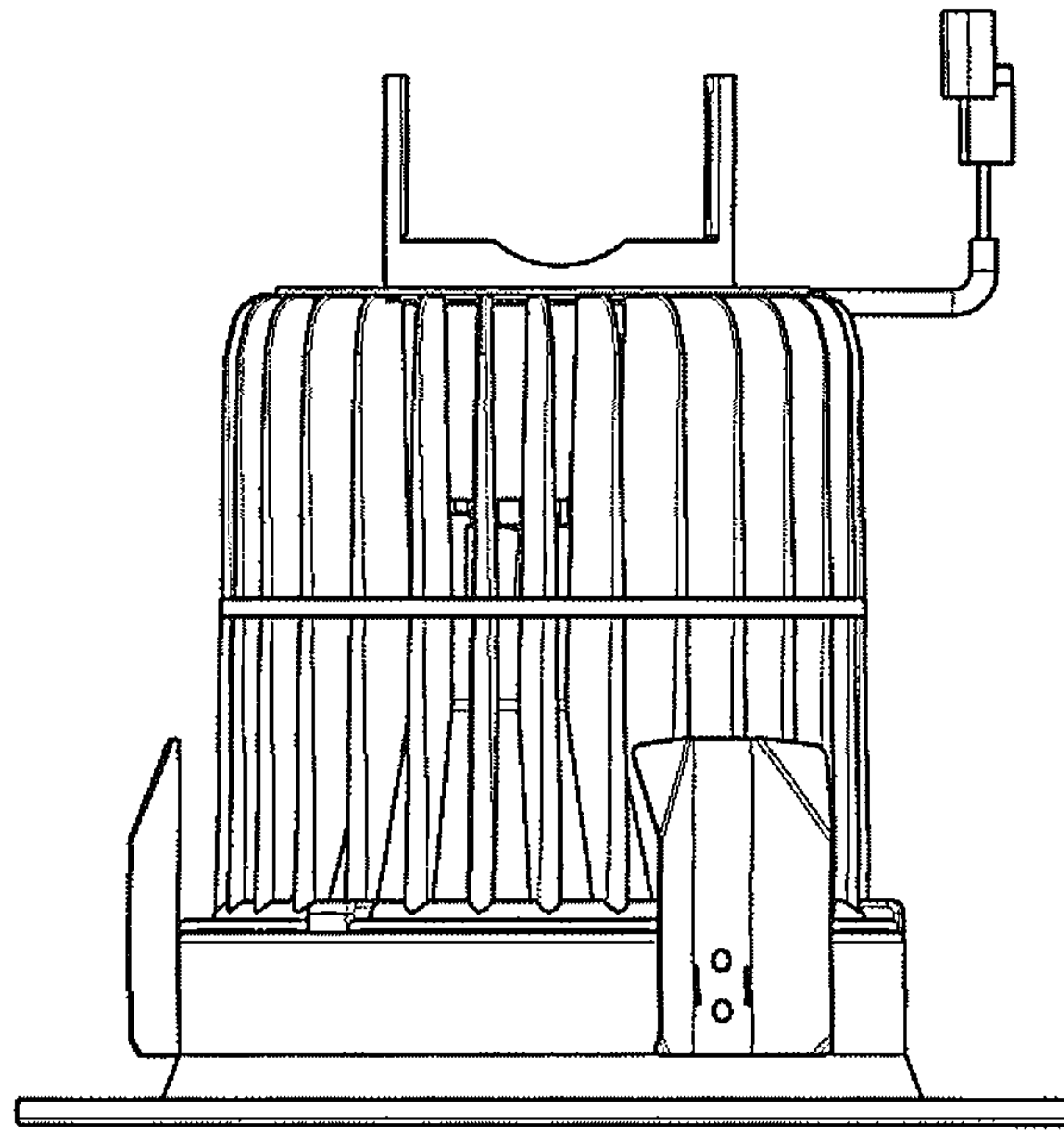


FIG. 6

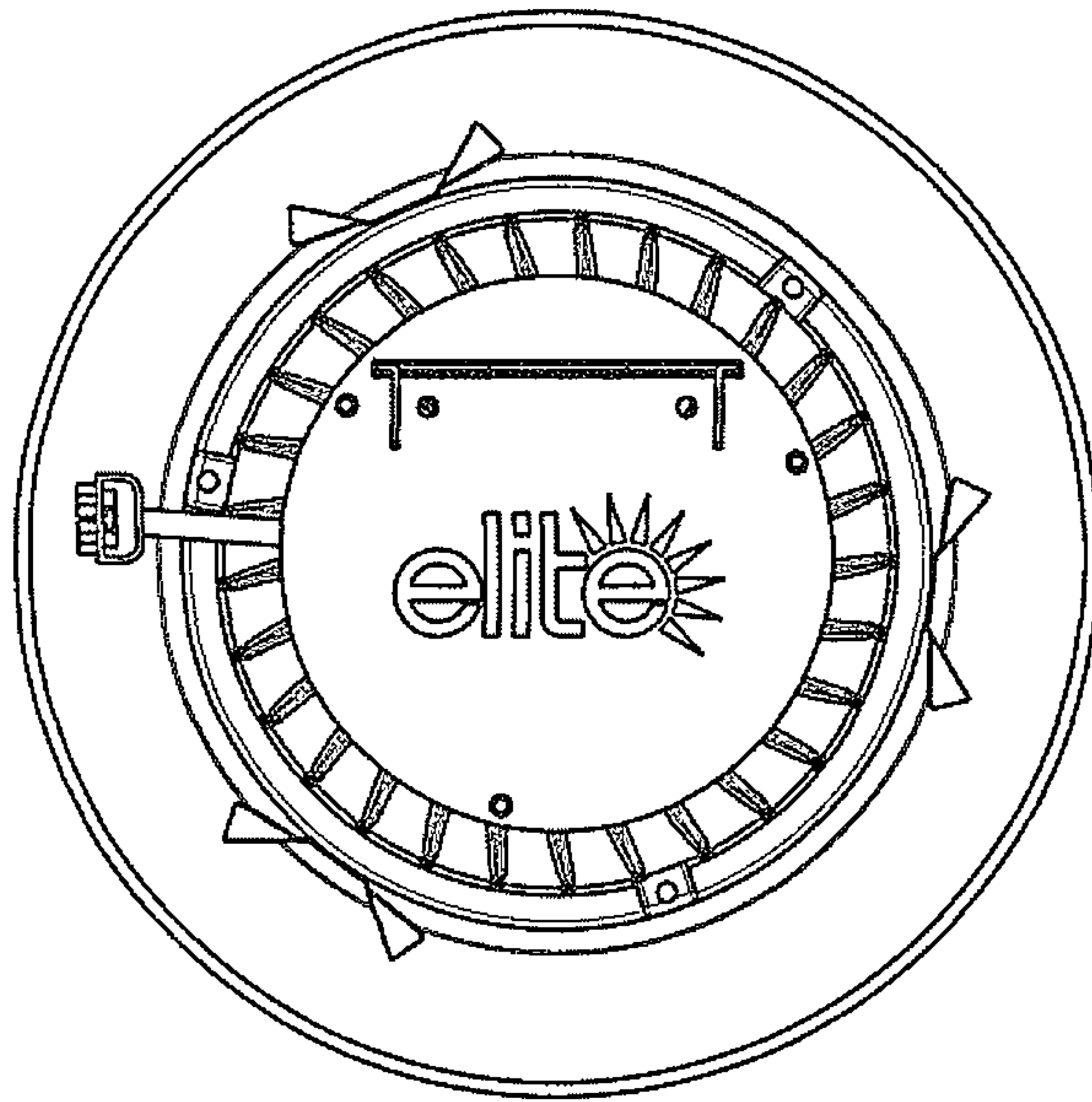


FIG. 7

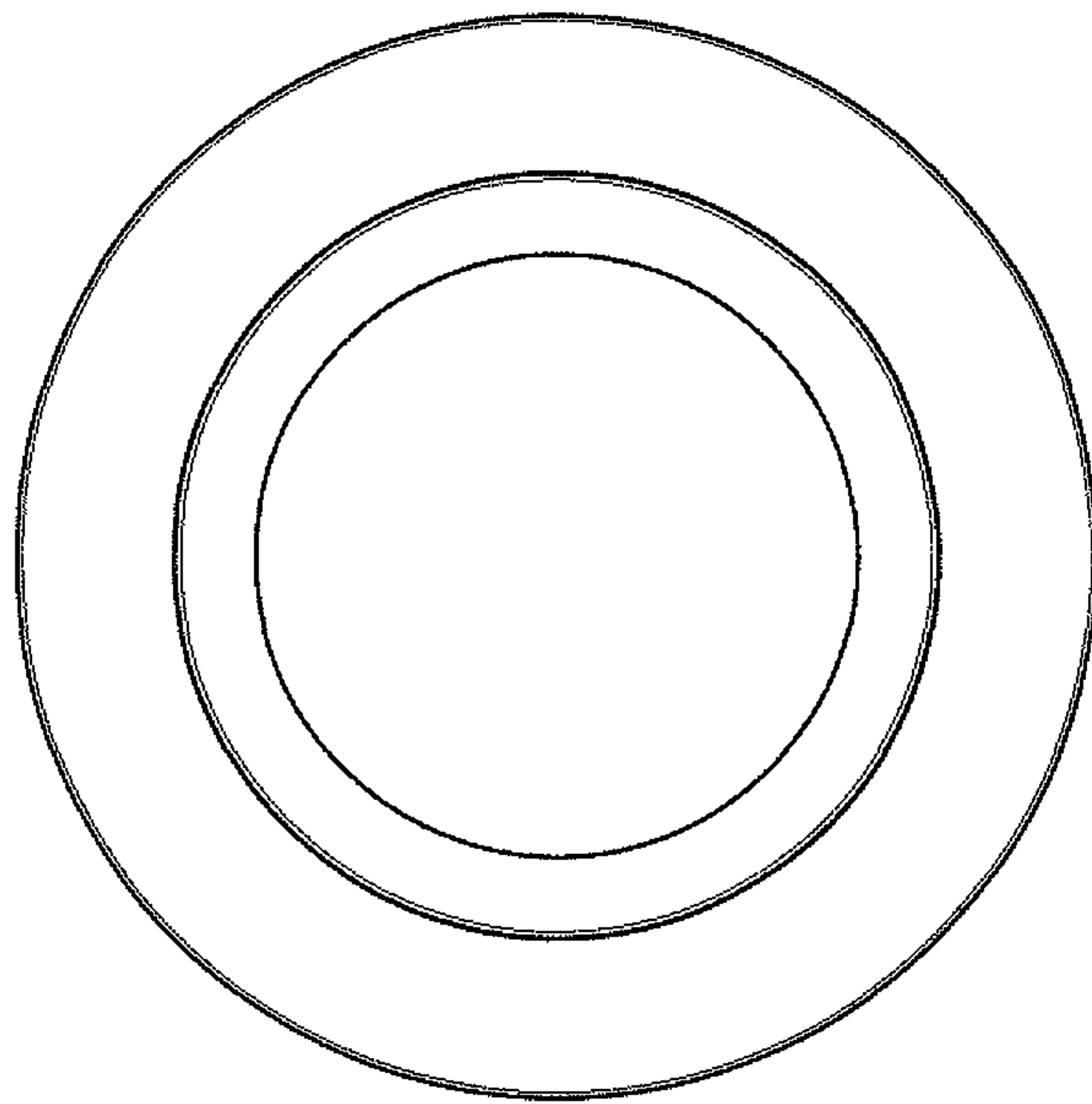


FIG. 8