



US00D698066S

(12) **United States Design Patent**
Sooferian

(10) **Patent No.:** **US D698,066 S**

(45) **Date of Patent:** **** Jan. 21, 2014**

(54) **SOLAR LIGHT**

(71) Applicant: **Danny H. Sooferian**, Camarillo, CA
(US)

(72) Inventor: **Danny H. Sooferian**, Camarillo, CA
(US)

(**) Term: **14 Years**

(21) Appl. No.: **29/435,982**

(22) Filed: **Oct. 31, 2012**

(51) **LOC (10) Cl.** **26-05**

(52) **U.S. Cl.**
USPC **D26/68**

(58) **Field of Classification Search**
USPC D26/40, 67-70, 72, 85, 104, 118, 128,
D26/135; 362/153.1, 183, 414, 431, 432
See application file for complete search history.

(56) **References Cited**

U.S. PATENT DOCUMENTS

D456,547 S * 4/2002 Leen D26/67
D497,021 S * 10/2004 Pu D26/67

D556,932 S * 12/2007 Sooferian D26/68
D557,850 S * 12/2007 Chen D26/67
D570,028 S * 5/2008 Curtin D26/85
D605,801 S * 12/2009 Chen D26/67
D605,807 S * 12/2009 Chen D26/67
D615,685 S * 5/2010 Chen D26/68
D615,687 S * 5/2010 Chen D26/68
D616,135 S * 5/2010 Chen D26/68
D630,363 S * 1/2011 Sooferian D26/68
D639,992 S * 6/2011 Chen D26/68
D672,486 S * 12/2012 Chen D26/67

* cited by examiner

Primary Examiner — Clare E Heflin

(74) *Attorney, Agent, or Firm* — Colin P. Abrahams

(57) **CLAIM**

The ornamental design for a solar light, as shown.

DESCRIPTION

FIG. 1 is a front view of my solar light of my new design;
FIG. 2 is a side view of the solar light shown in FIG. 1 of the
drawings;
FIG. 3 is a top view of the solar light shown in FIG. 1 of the
drawings; and,
FIG. 4 is a bottom view of the solar light shown in FIG. 1 of
the drawings.

1 Claim, 1 Drawing Sheet

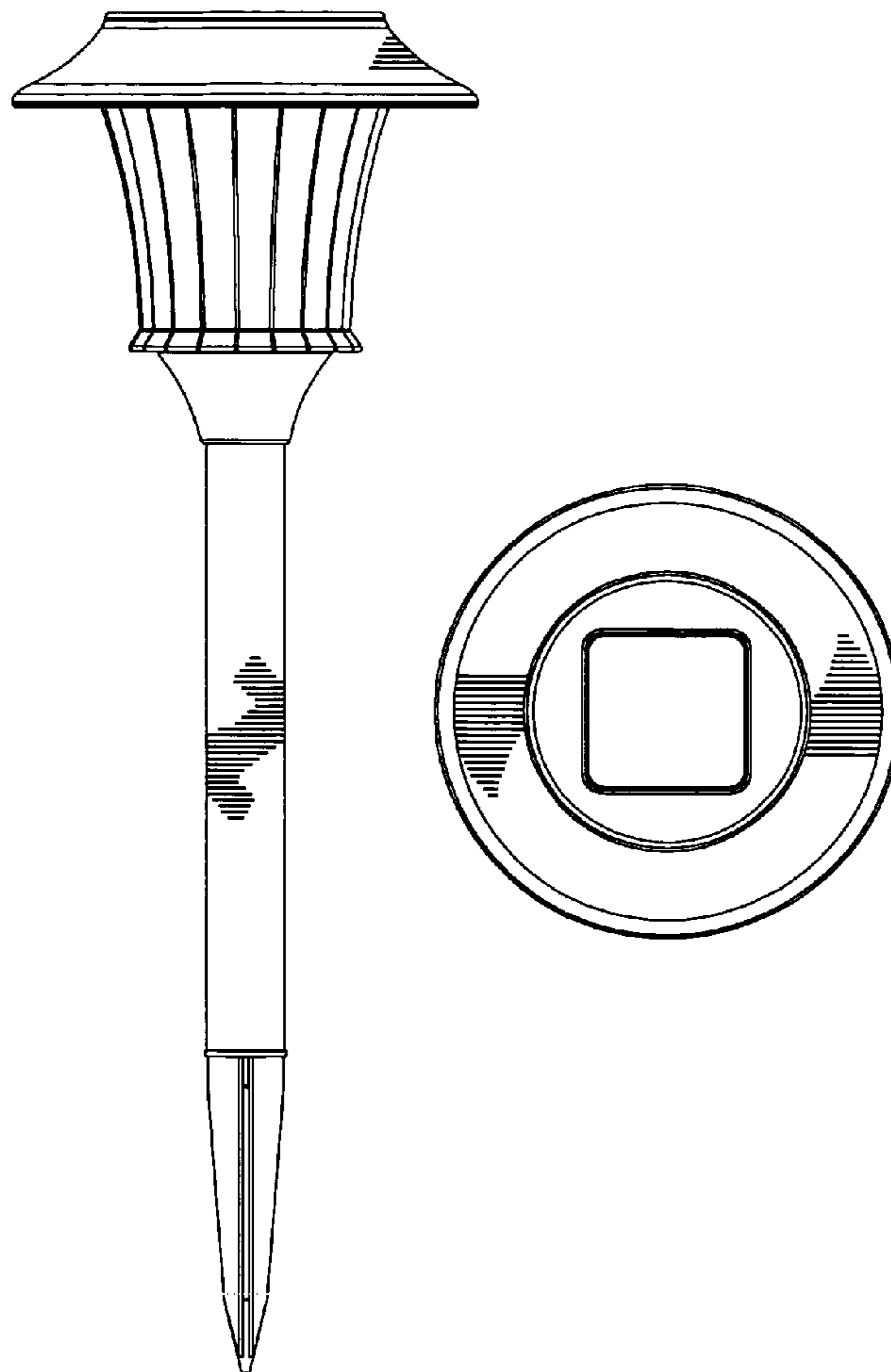


Figure 1

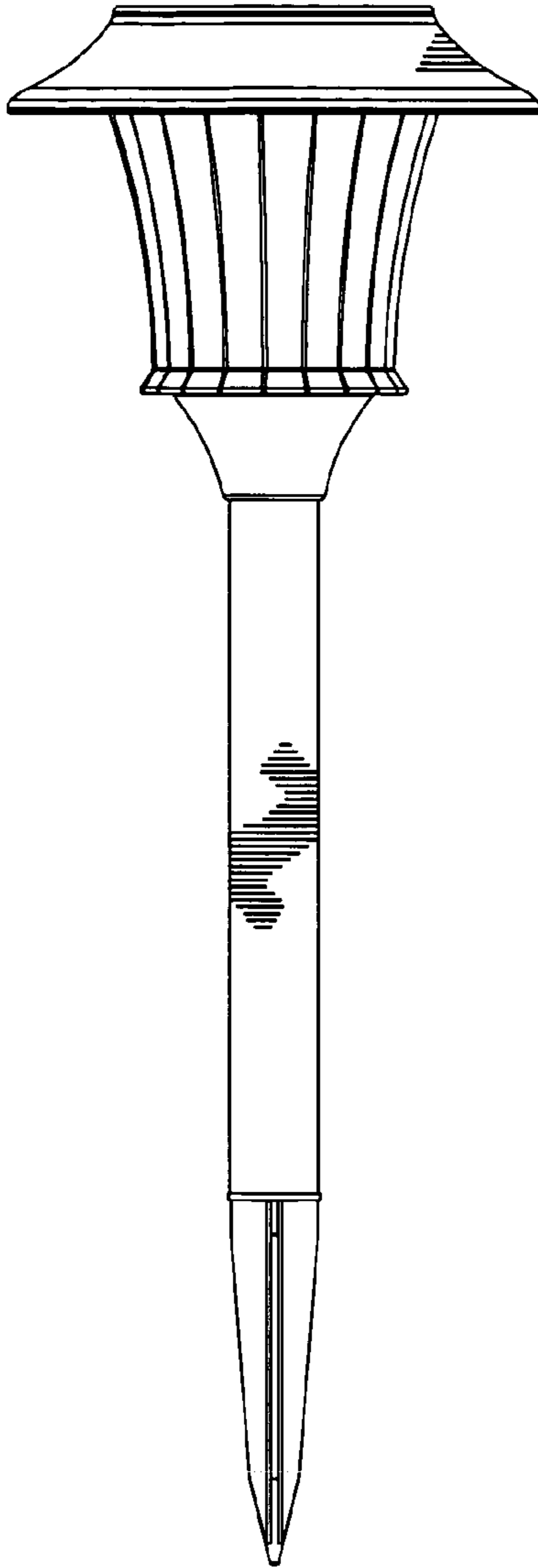


Figure 2

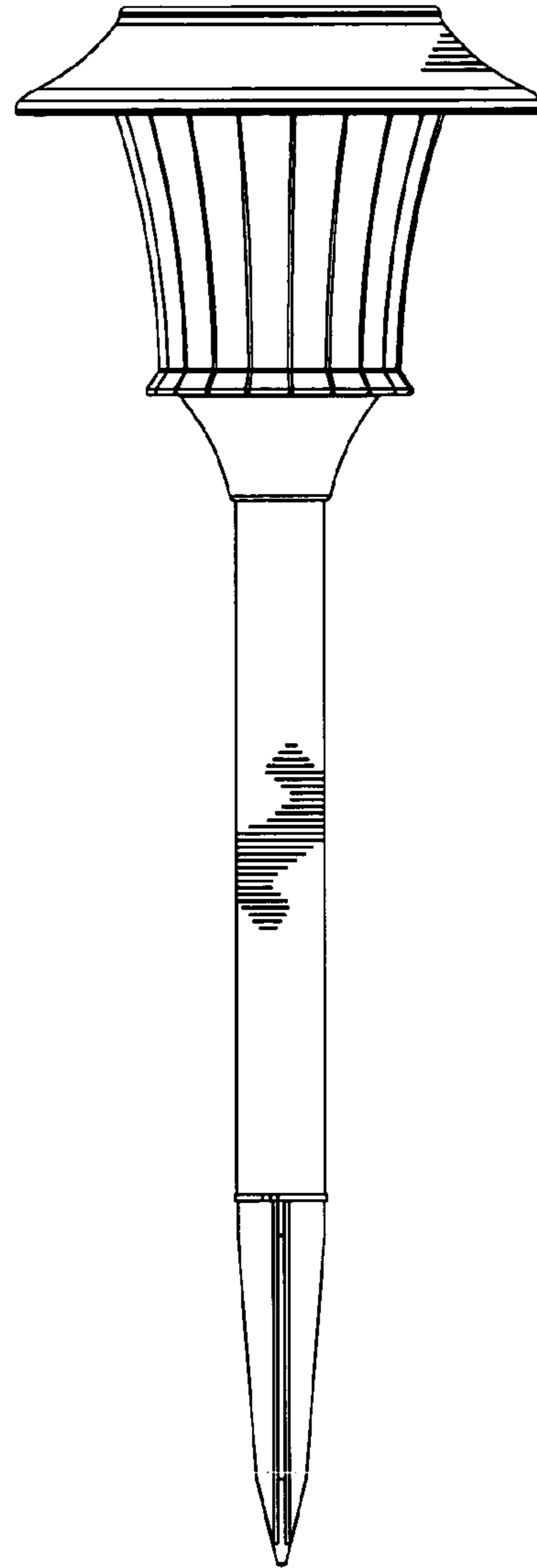


Figure 3

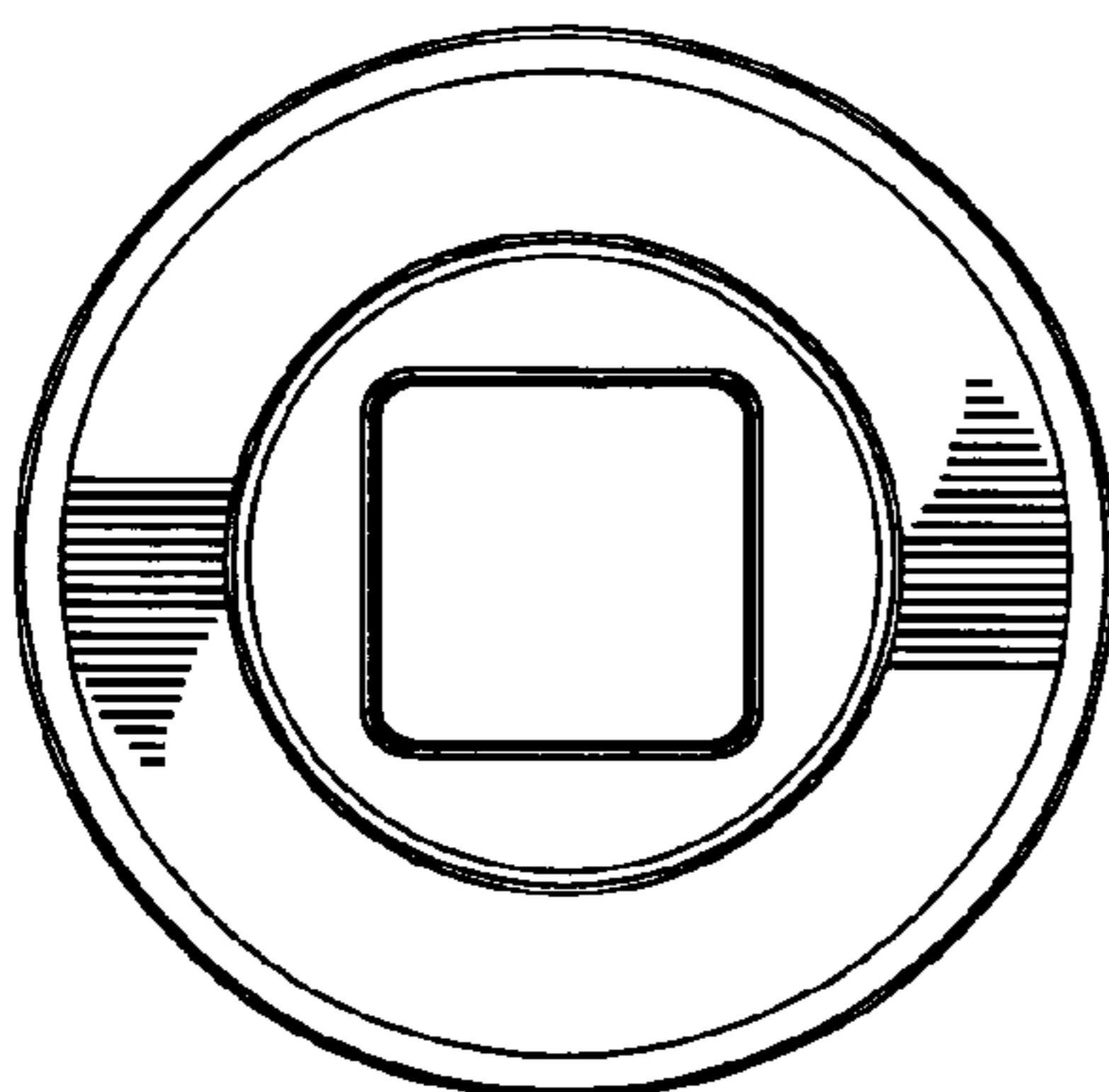


Figure 4

