



US00D698062S

(12) **United States Design Patent**
Burke

(10) **Patent No.:** **US D698,062 S**
(45) **Date of Patent:** **** Jan. 21, 2014**

(54) **TRANSPARENT LAMP FIXTURE AND ILLUMINATION MODULE**

(71) Applicant: **David W. Burke**, Bay City, MI (US)

(72) Inventor: **David W. Burke**, Bay City, MI (US)

(**) Term: **14 Years**

(21) Appl. No.: **29/433,589**

(22) Filed: **Oct. 2, 2012**

(51) **LOC (10) Cl.** **26-05**

(52) **U.S. Cl.**
USPC **D26/67**

(58) **Field of Classification Search**
USPC D26/40, 67-70, 72, 85, 104, 118, 128,
D26/135; 362/153.1, 183, 414, 431, 432
See application file for complete search history.

(56) **References Cited**

U.S. PATENT DOCUMENTS

D200,344 S *	2/1965	D'Ercoli	D26/67
D226,129 S *	1/1973	Donato	D26/68
D226,222 S *	1/1973	Donato	D26/68
D309,786 S *	8/1990	Chien	D26/67
D309,789 S *	8/1990	Luce	D26/68

D444,253 S *	6/2001	Blanchard	D26/67
D461,579 S *	8/2002	Chang	D26/67
D471,307 S *	3/2003	Yung	D26/67
D530,034 S *	10/2006	Hon et al.	D26/67
D554,791 S *	11/2007	Galipeau et al.	D26/67
D567,424 S *	4/2008	St-Pierre et al.	D26/67
D652,975 S *	1/2012	Harshaw	D26/67
D676,995 S *	2/2013	Ho et al.	D26/67

* cited by examiner

Primary Examiner — Clare E Heflin

(74) *Attorney, Agent, or Firm* — Robert L. Farris; Farris Law, P.C.

(57) **CLAIM**

The ornamental design for a transparent lamp fixture and illumination module, as shown and described.

DESCRIPTION

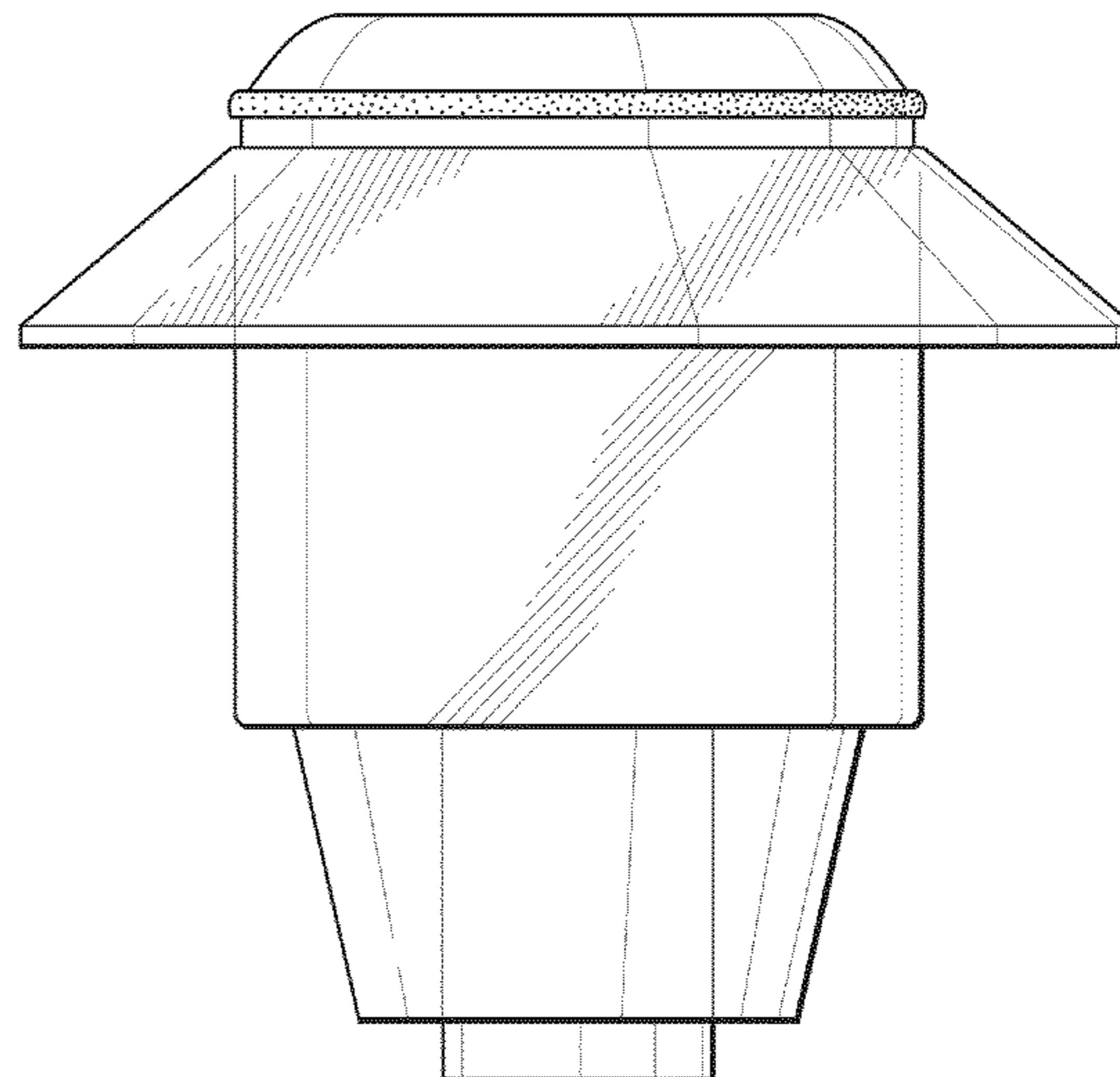
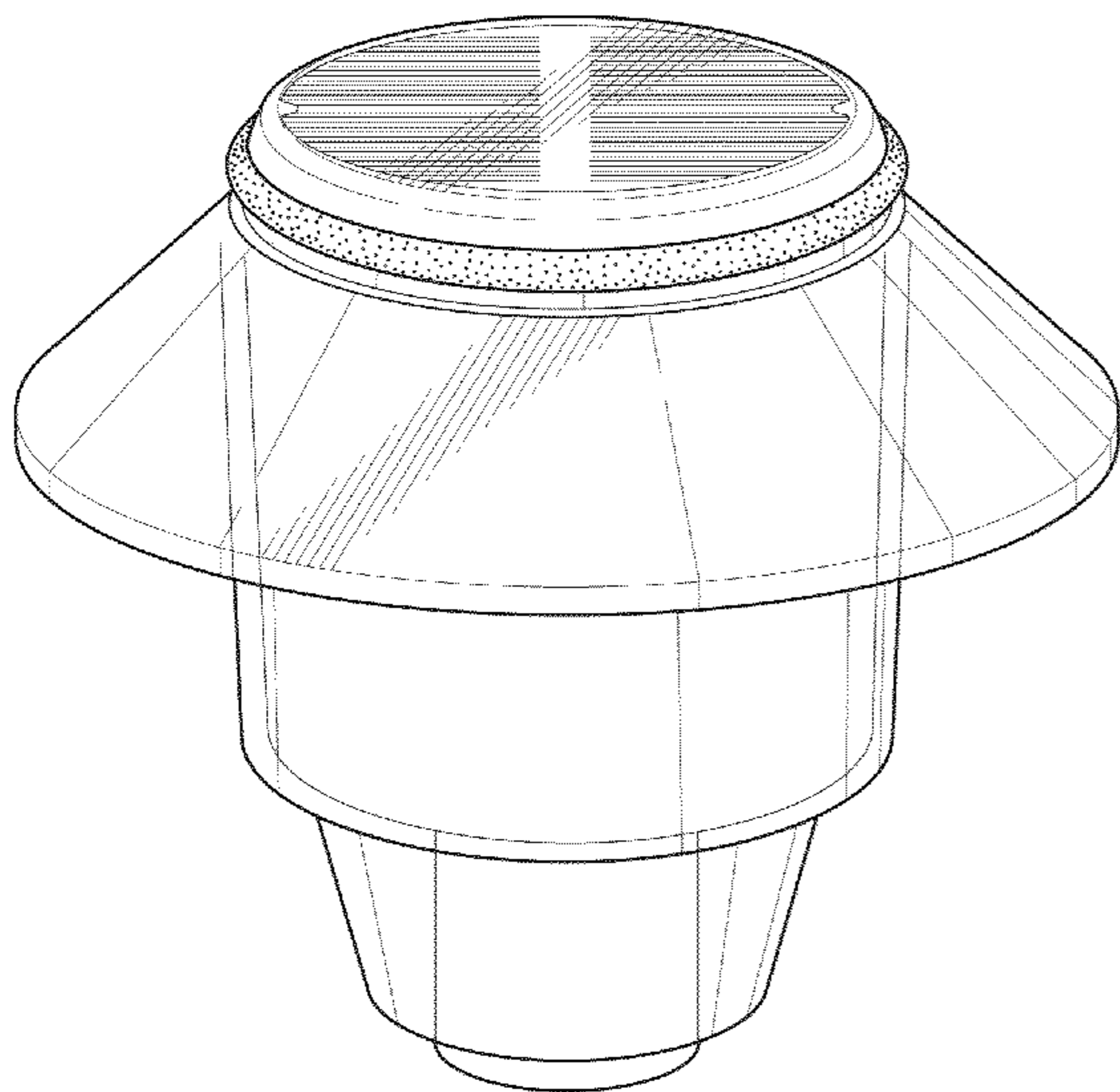
FIG. 1 is a perspective view of the transparent lamp fixture and illumination module with a solar collector and a bottom receiver for receiving a lamp support member, showing the new design;

FIG. 2 is an elevational view thereof;

FIG. 3 is a top plan view thereof; and,

FIG. 4 is a bottom plan view thereof.

1 Claim, 2 Drawing Sheets



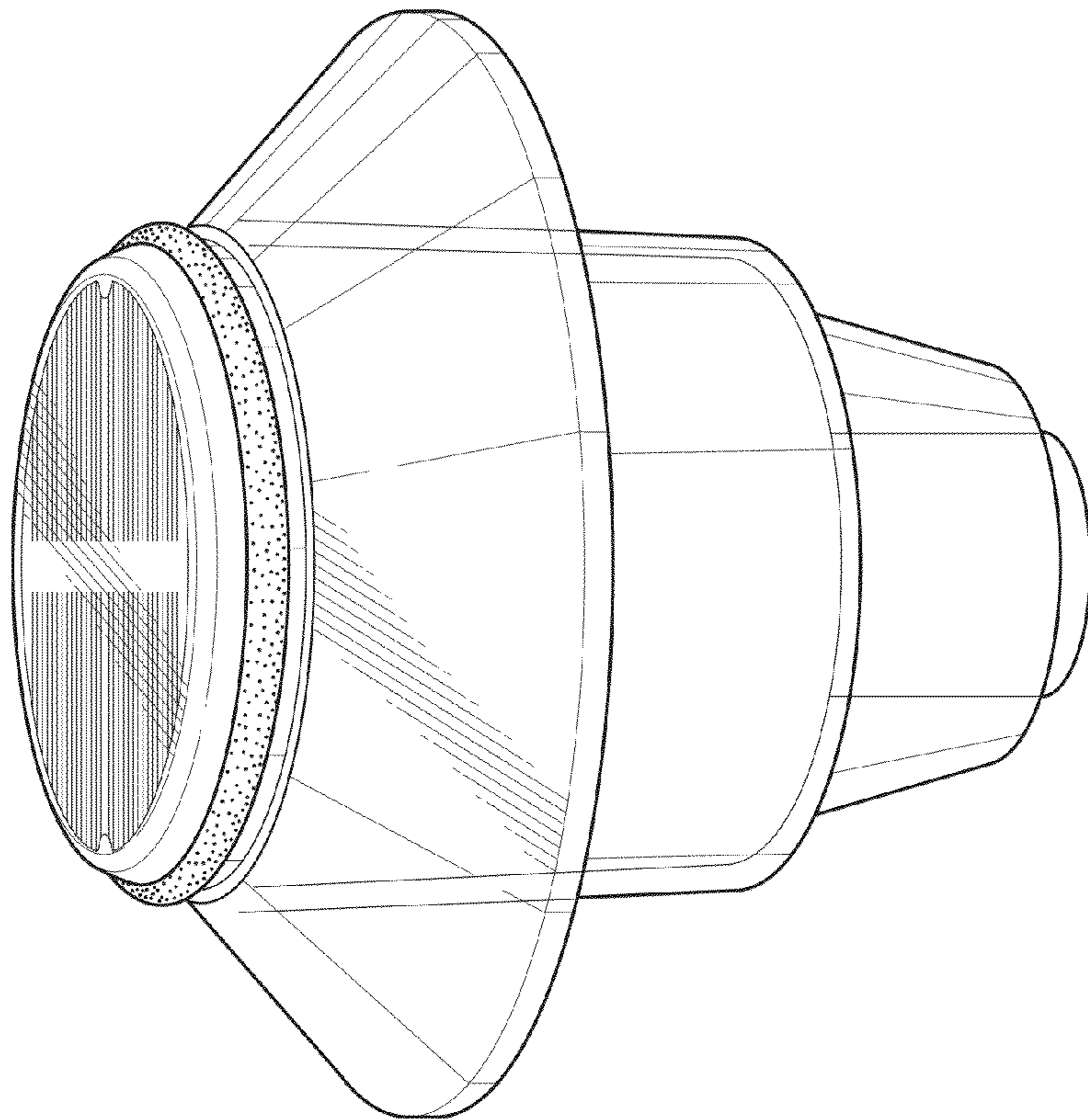


FIG. 1

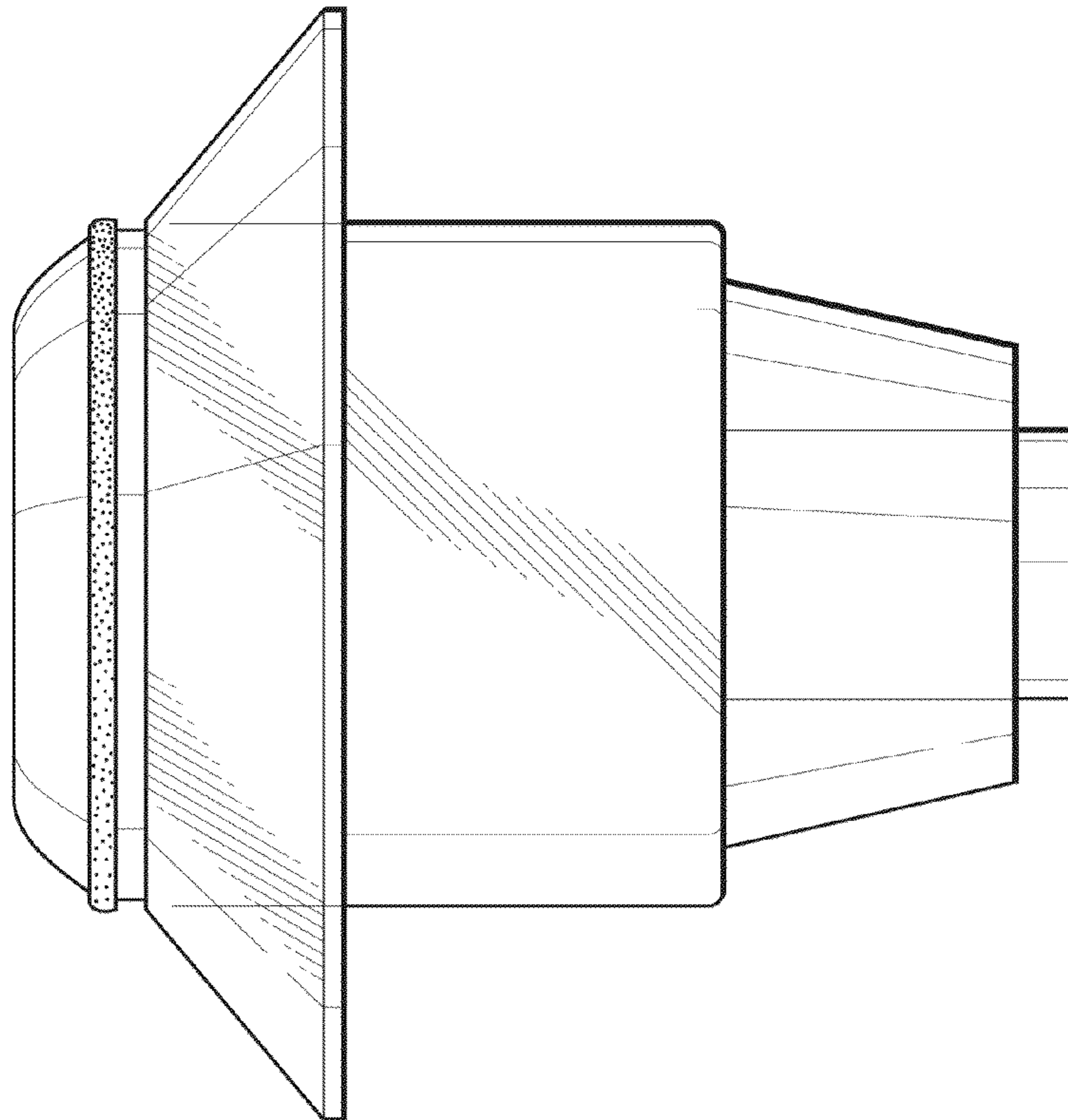


FIG. 2

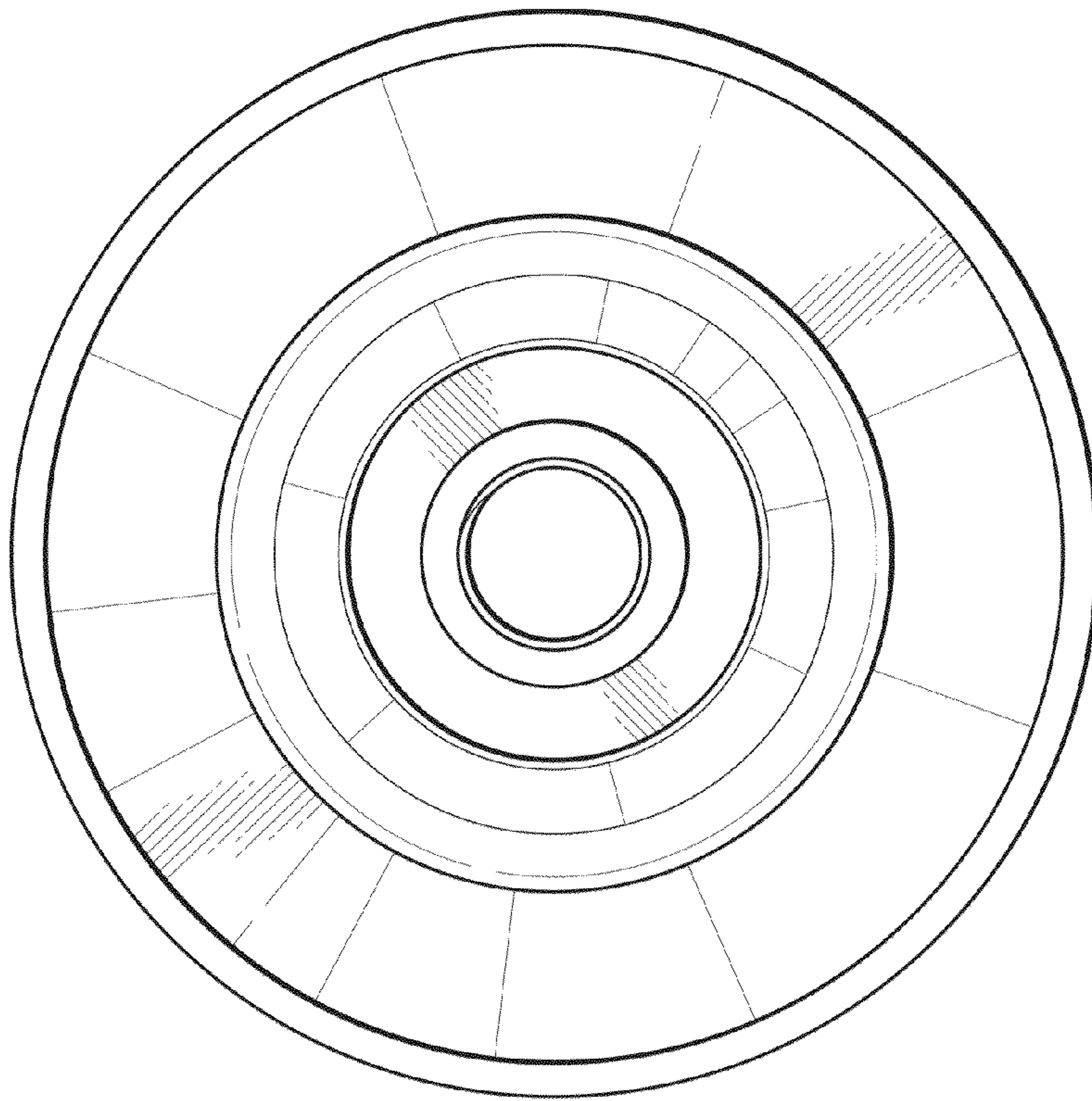


FIG. 4

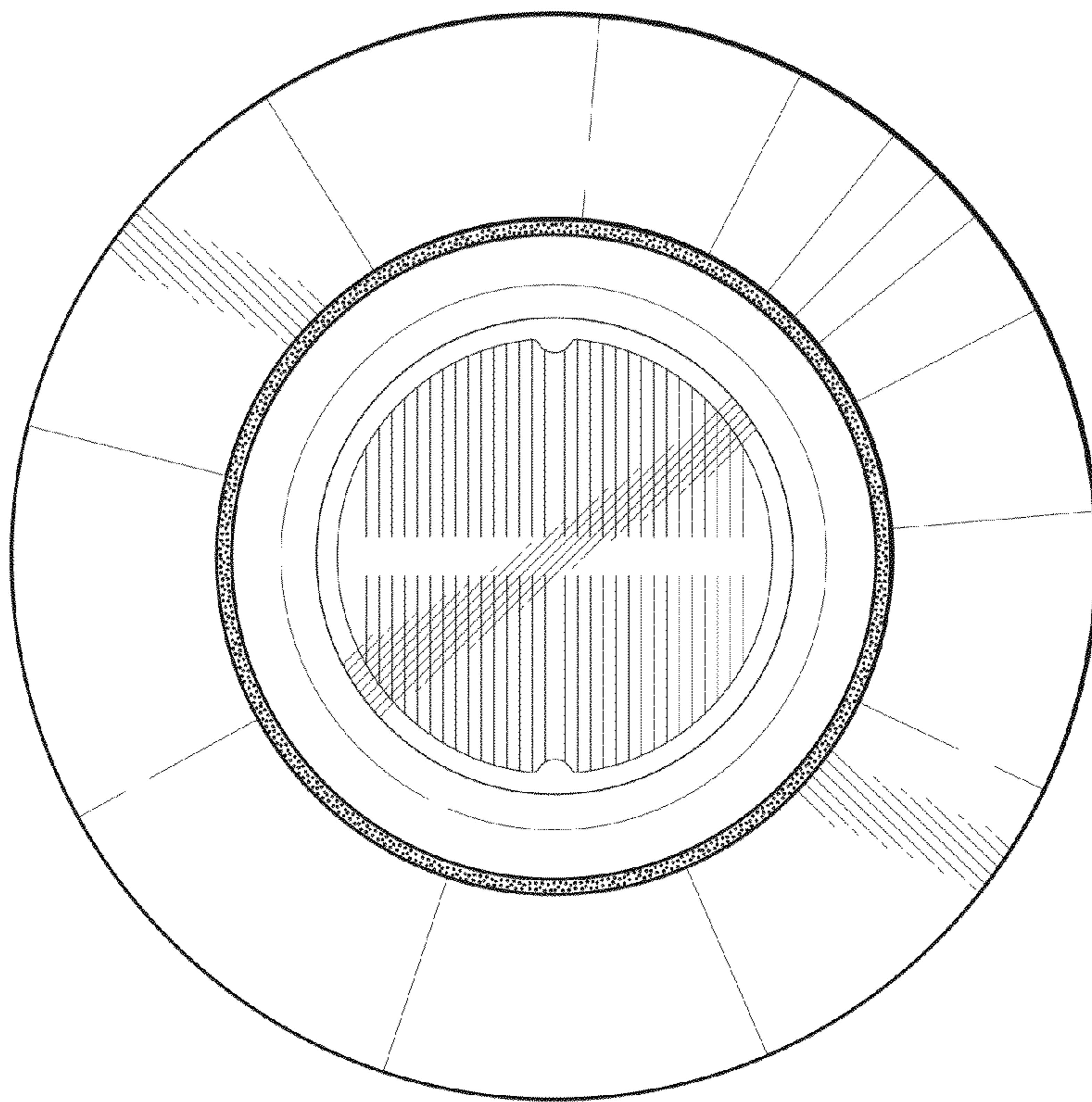


FIG. 3