



US00D698058S

(12) **United States Design Patent**  
**Rashidi**

(10) **Patent No.:** **US D698,058 S**  
(45) **Date of Patent:** **\*\* Jan. 21, 2014**

(54) **LED TRACKHEAD ADJUSTABLE LIGHTING  
FIXTURE WITH SNOOT RING**

(76) Inventor: **Hamid Rashidi**, Commerce, CA (US)

(\*\*) Term: **14 Years**

(21) Appl. No.: **29/407,670**

(22) Filed: **Nov. 30, 2011**

(51) **LOC (10) Cl.** ..... **26-05**

(52) **U.S. Cl.**  
USPC ..... **D26/63**

(58) **Field of Classification Search**  
USPC ..... D26/24, 60-66, 72, 85, 92, 113,  
D26/118-119; 362/89, 217.01, 217.02,  
362/217.1, 217.14, 217.16, 220, 257,  
362/268-69, 275, 277, 282, 285, 310, 362,  
362/368, 370, 382, 404, 418, 425, 427, 432,  
362/457, 804, 549.04, 648

See application file for complete search history.

(56) **References Cited**

**U.S. PATENT DOCUMENTS**

D287,413 S *	12/1986	Kusmer et al.	.....	D26/65
4,814,955 A *	3/1989	Price	.....	362/275
D318,740 S *	7/1991	Layne	.....	D26/63
D323,565 S *	1/1992	Woodgate	.....	D26/63
D326,162 S *	5/1992	Price	.....	D26/63

D376,026 S *	11/1996	Wachter	.....	D26/63
5,702,177 A *	12/1997	Lin	.....	362/648
D402,384 S *	12/1998	Chen	.....	D26/63
6,004,005 A *	12/1999	Demshki, Jr.	.....	362/275
D465,867 S *	11/2002	Ward	.....	D26/63
D488,878 S *	4/2004	Ward	.....	D26/63
D567,979 S *	4/2008	Starck	.....	D26/63
7,850,363 B1 *	12/2010	Speidel et al.	.....	362/648

\* cited by examiner

*Primary Examiner* — Brian N Vinson

(74) *Attorney, Agent, or Firm* — Thomas I. Rozsa

(57) **CLAIM**

The ornamental design for an LED trackhead adjustable lighting fixture with snoot ring, as shown and described.

**DESCRIPTION**

FIG. 1 is a top perspective view of an LED trackhead adjustable lighting fixture with snoot ring showing my new design; FIG. 2 is a side perspective view thereof, with the snoot ring section tilted at an upward angle relative to the canister portion;

FIG. 3 is a front elevational view thereof;

FIG. 4 is a rear elevational view thereof;

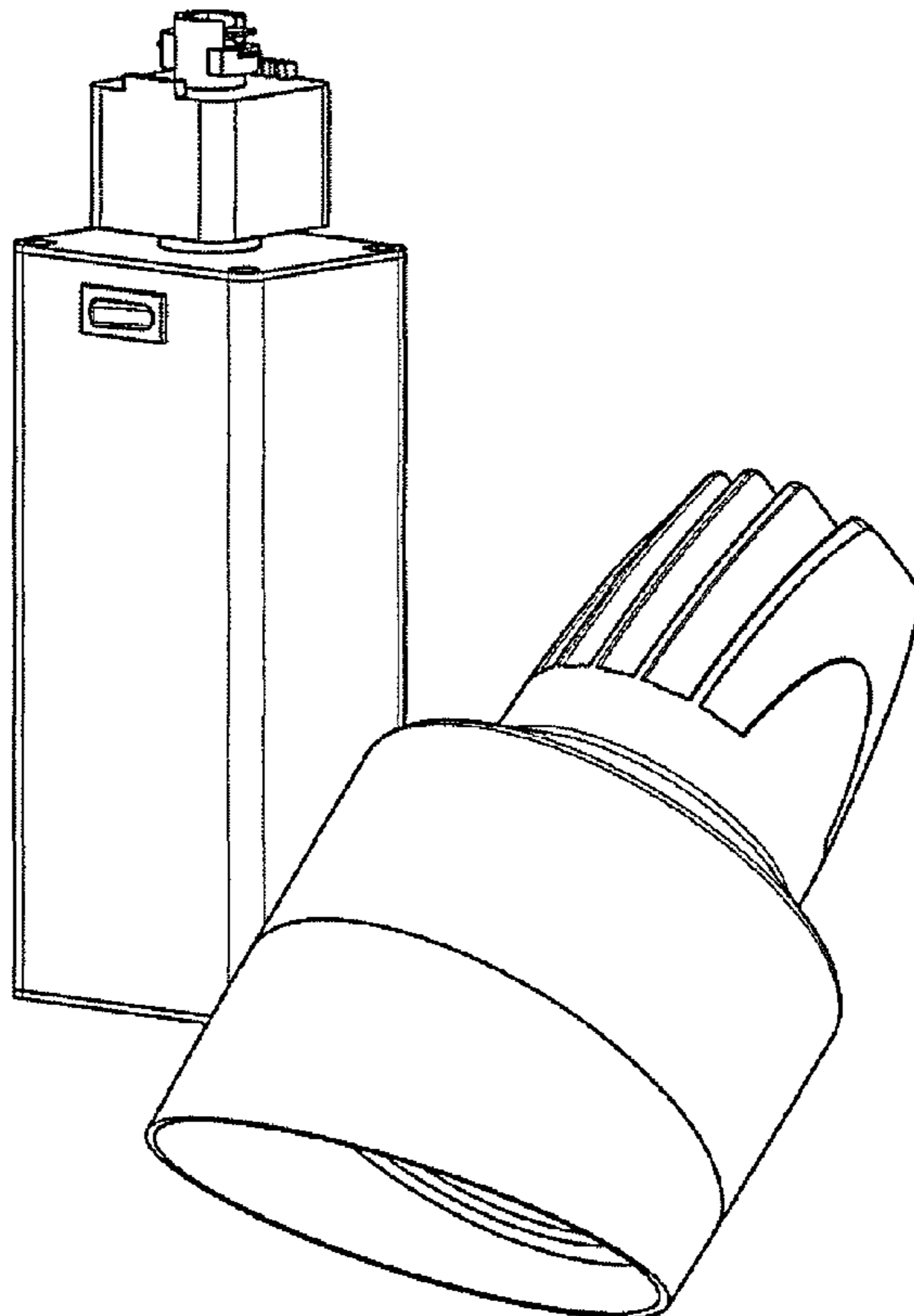
FIG. 5 is a right side elevational view thereof;

FIG. 6 is a left side elevational view thereof;

FIG. 7 is a top plan view thereof; and,

FIG. 8 is bottom plan view thereof.

**1 Claim, 8 Drawing Sheets**



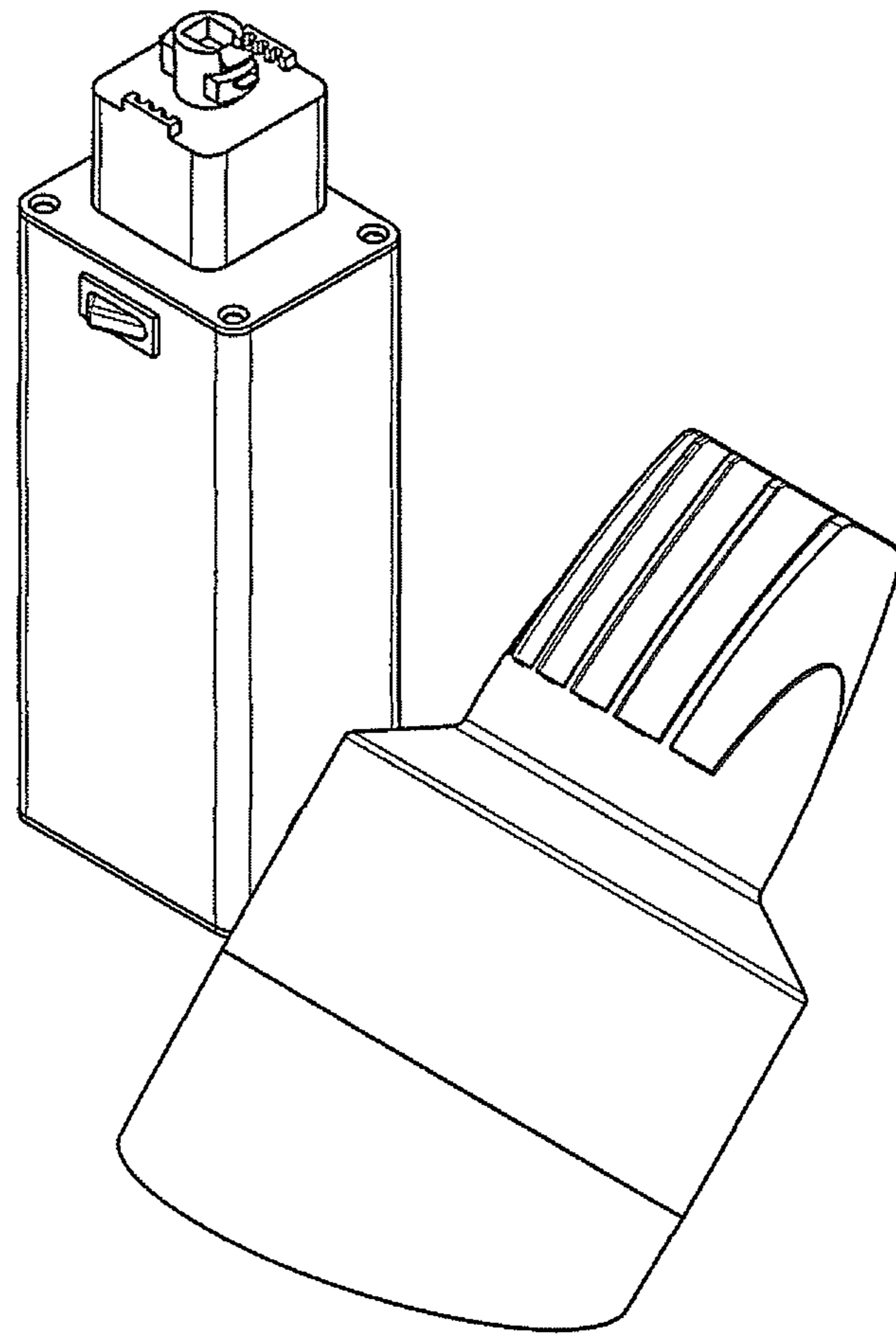


FIG. 1

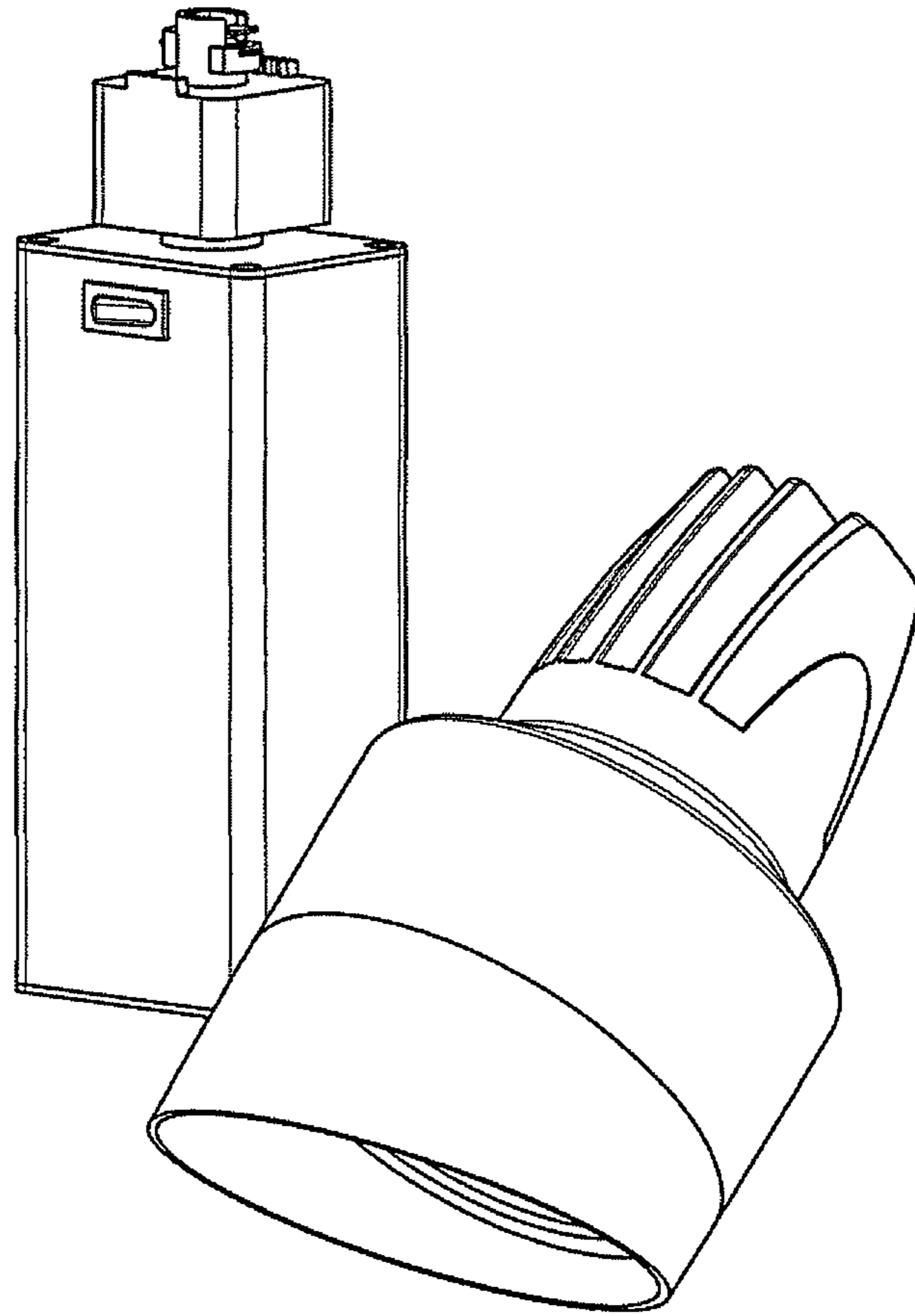


FIG.2

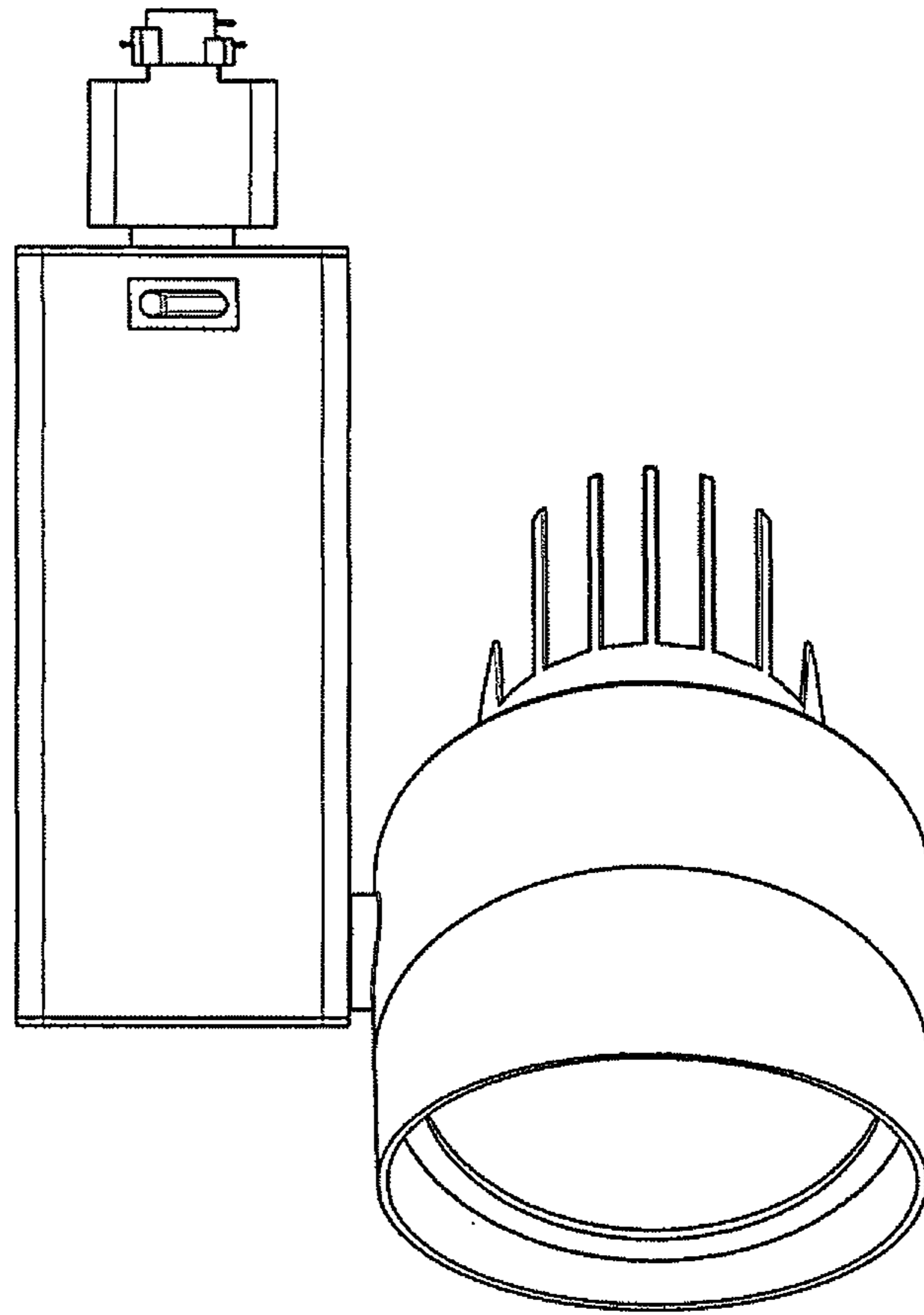


FIG. 3

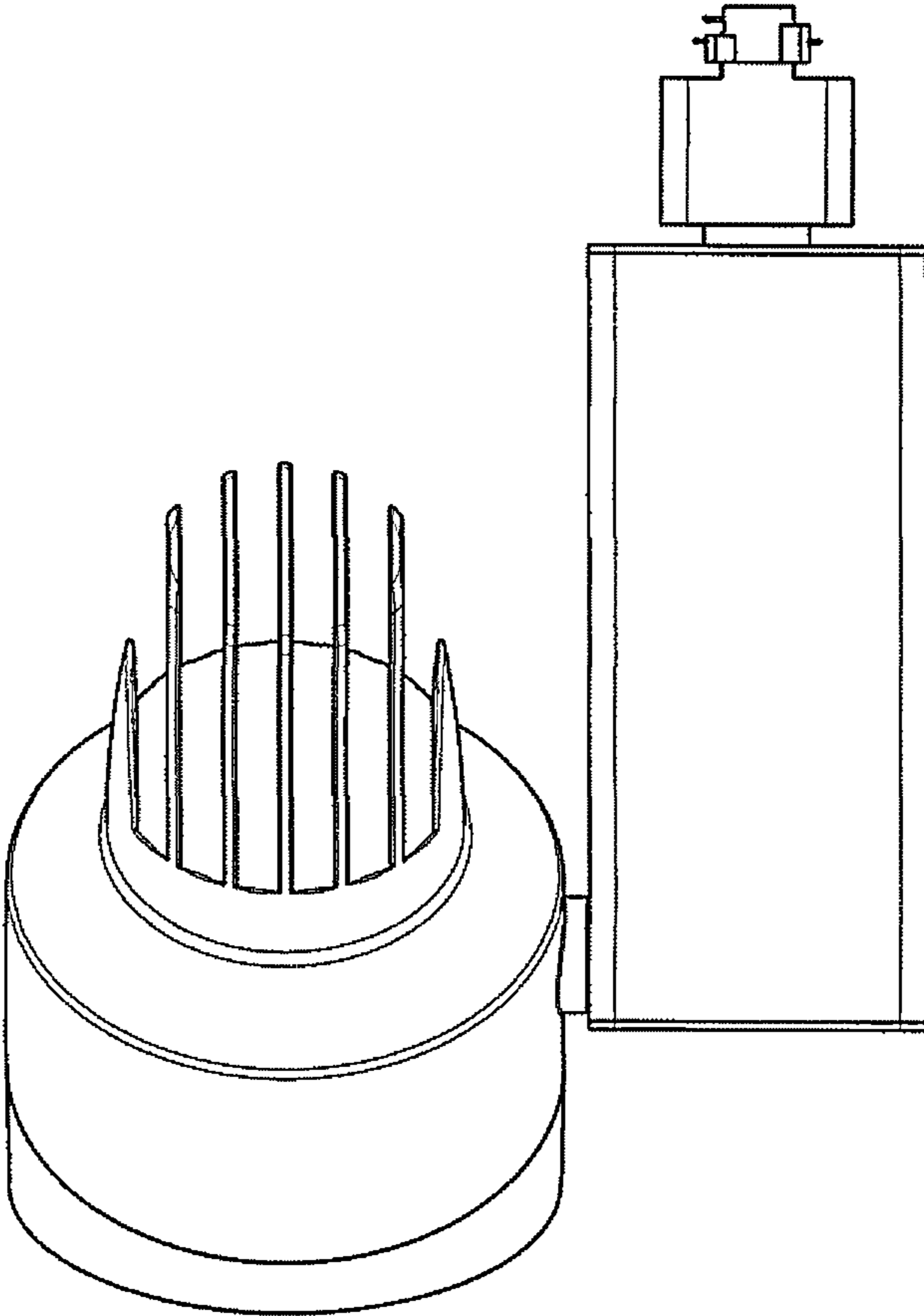


FIG.4

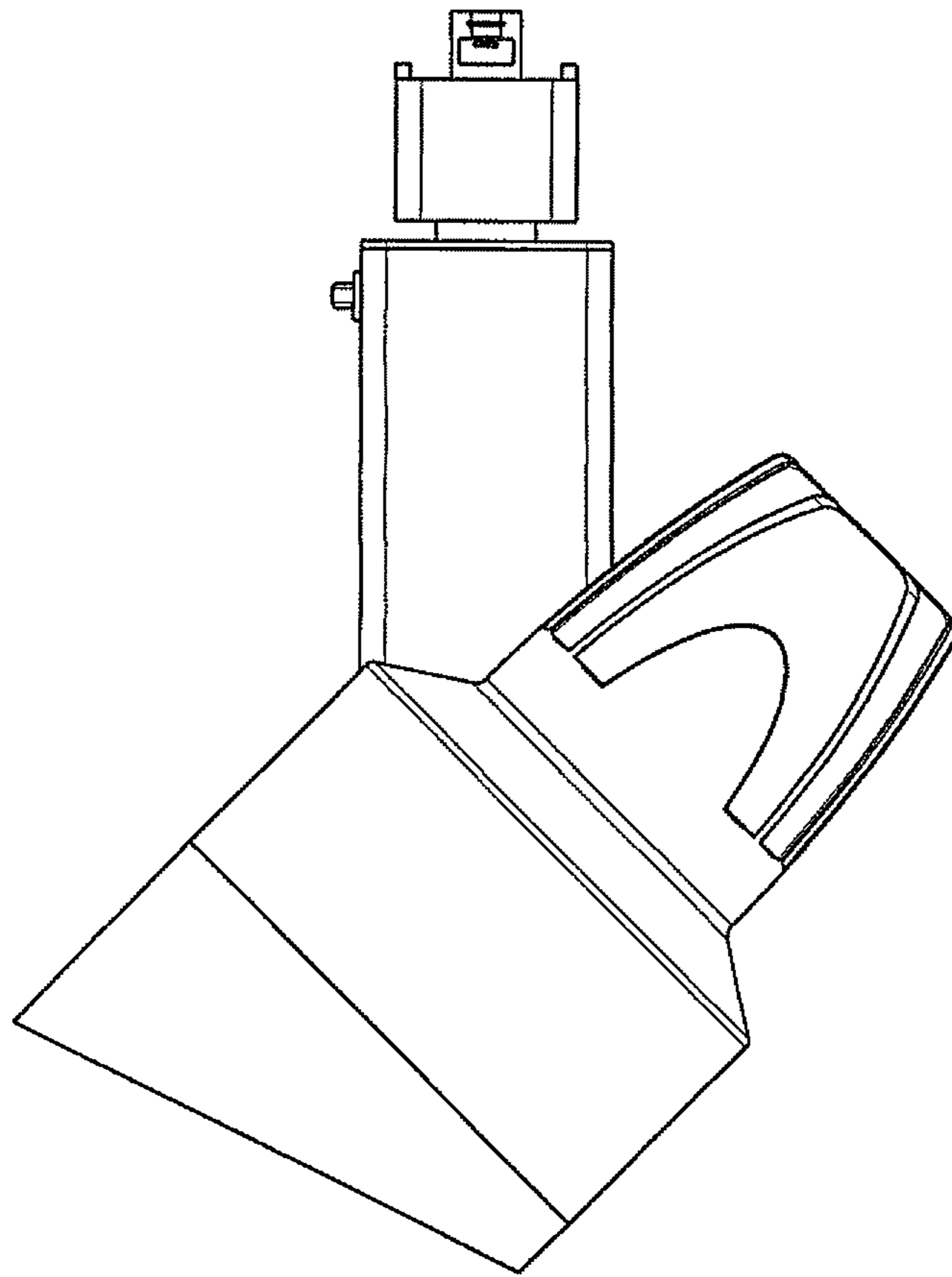


FIG. 5

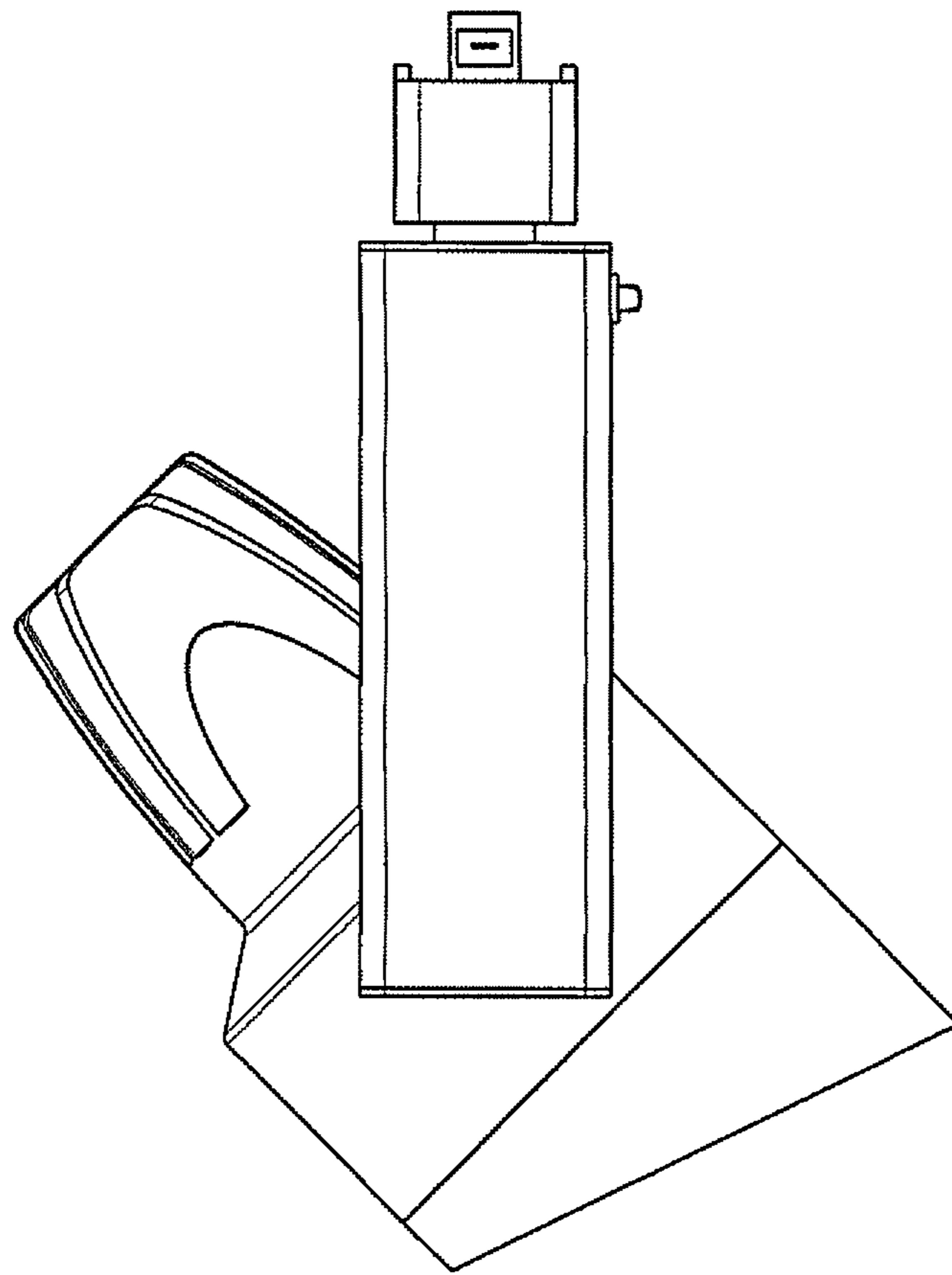


FIG. 6

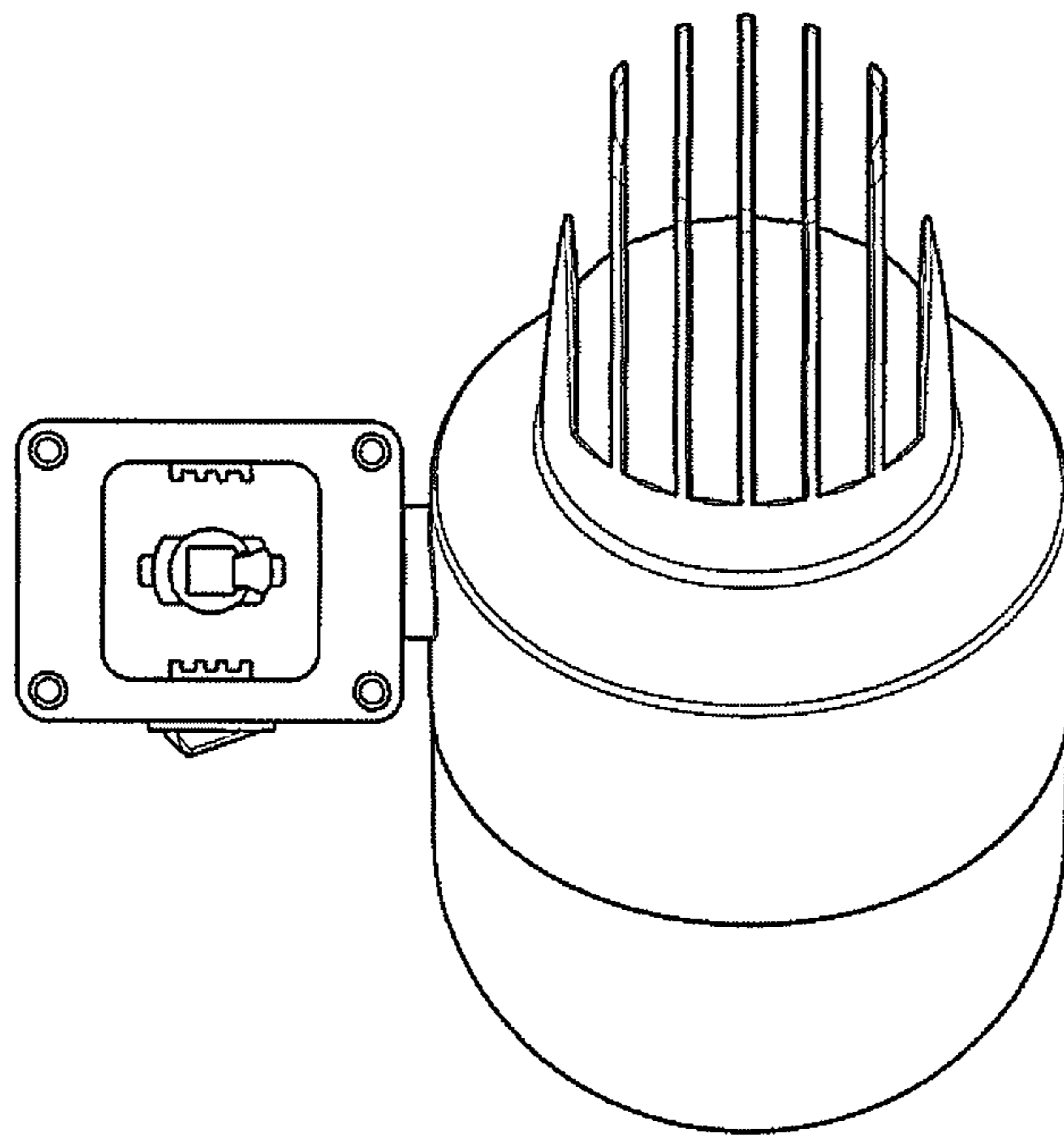


FIG. 7



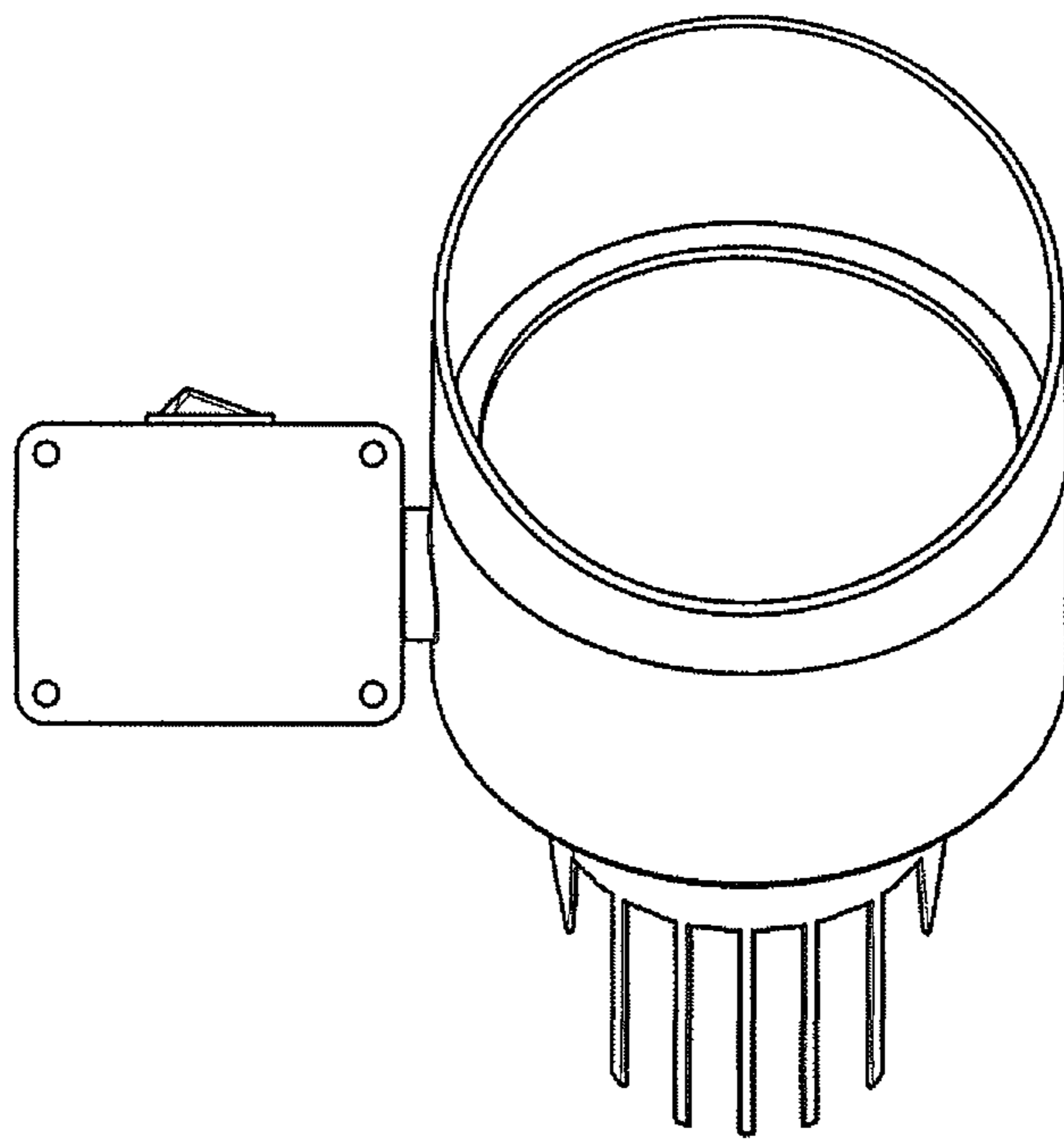


FIG. 8