



US00D698056S

(12) **United States Design Patent**
Forbes et al.

(10) **Patent No.:** **US D698,056 S**
(45) **Date of Patent:** **** Jan. 21, 2014**

(54) **FLASHLIGHT**

(75) Inventors: **Daniel W. Forbes**, Boynton Beach, FL
(US); **Minerva Panico**, Hollywood, FL
(US)

(73) Assignee: **Atico International USA, Inc.**, Ft.
Lauderdale, FL (US)

(**) Term: **14 Years**

(21) Appl. No.: **29/429,457**

(22) Filed: **Aug. 10, 2012**

(51) **LOC (10) Cl.** **26-02**

(52) **U.S. Cl.**
USPC **D26/49; D26/42**

(58) **Field of Classification Search**
USPC D26/37, 38, 42, 46, 49; 362/157, 158,
362/183, 184, 194-196, 202-208
See application file for complete search history.

(56) **References Cited**

U.S. PATENT DOCUMENTS

D333,190 S *	2/1993	Waldmann	D26/75
D505,217 S *	5/2005	Bayat et al.	D26/42
D515,230 S *	2/2006	Galli	D26/49
D523,981 S *	6/2006	Galli	D26/37
D531,746 S *	11/2006	Zhu	D26/49
D546,491 S *	7/2007	Shiu	D26/49
D551,366 S *	9/2007	Galli	D26/37
D557,836 S *	12/2007	Shiu	D26/37
D561,365 S *	2/2008	Huff	D26/37
D563,007 S *	2/2008	Opolka	D26/49

D593,695 S *	6/2009	Levine	D26/42
D604,877 S *	11/2009	Kung	D26/49
D637,749 S *	5/2011	Bayat et al.	D26/49
D640,400 S *	6/2011	Huang	D26/49
D641,093 S *	7/2011	Kidman	D26/49
D658,797 S *	5/2012	Bayat et al.	D26/46
D684,717 S *	6/2013	Hicks	D26/49

* cited by examiner

Primary Examiner — Ian Simmons

Assistant Examiner — Carissa C Fitts

(74) *Attorney, Agent, or Firm* — David A. Casimir; Casimir Jones, S.C.

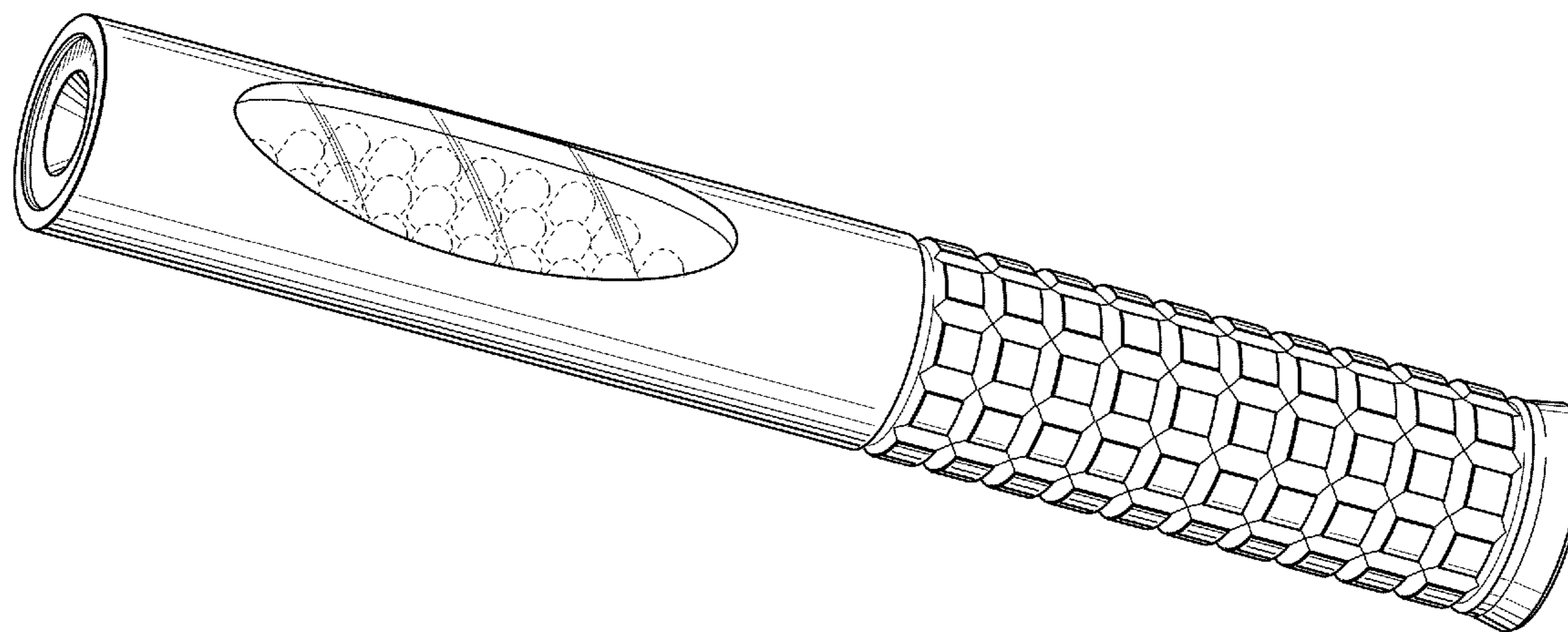
(57) **CLAIM**

The ornamental design for a flashlight, as shown and described.

DESCRIPTION

FIG. 1 is a front perspective view showing our new design; FIG. 2 is a rear perspective view thereof; FIG. 3 is a front elevational view thereof; FIG. 4 is a rear elevational view thereof; FIG. 5 is a left side elevational view thereof, the left side and right side elevational views being mirror images; FIG. 6 is a top plan view thereof; FIG. 7 is a bottom plan view thereof; and, FIG. 8 is a top perspective view thereof. The broken lines in the drawings depict unclaimed environmental subject matter.

1 Claim, 4 Drawing Sheets



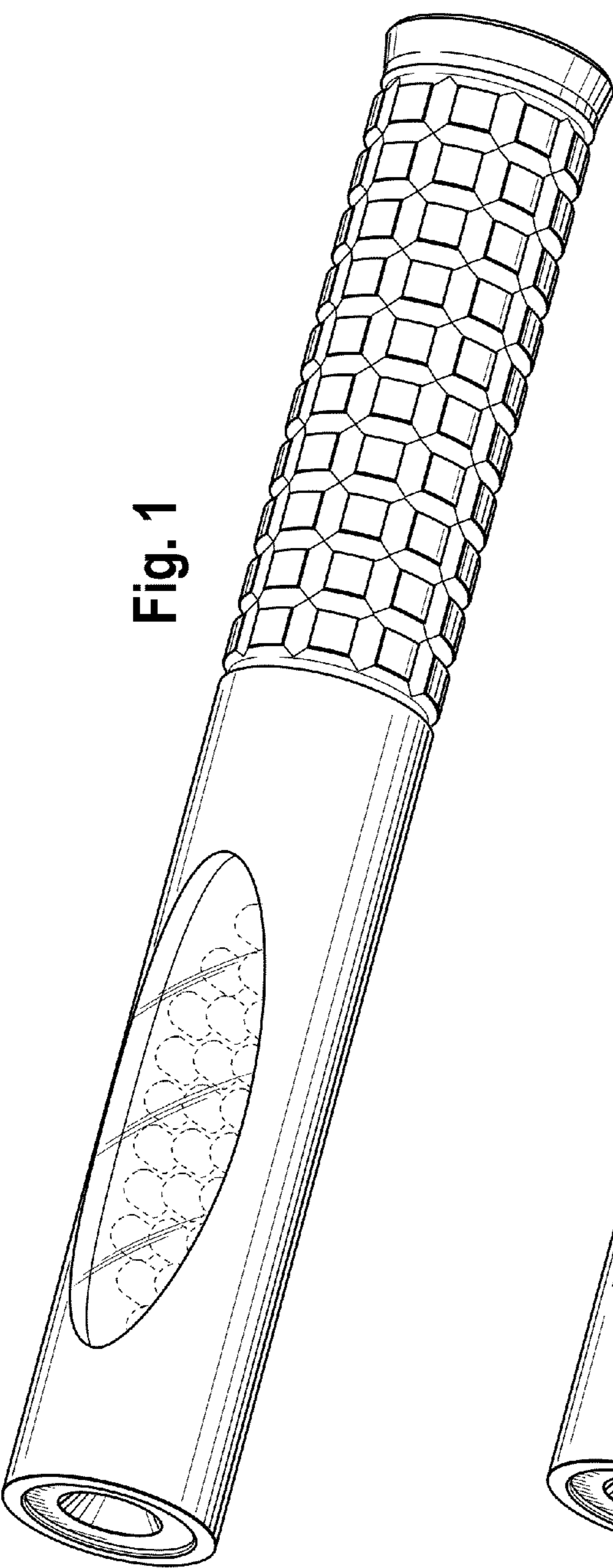


Fig. 1

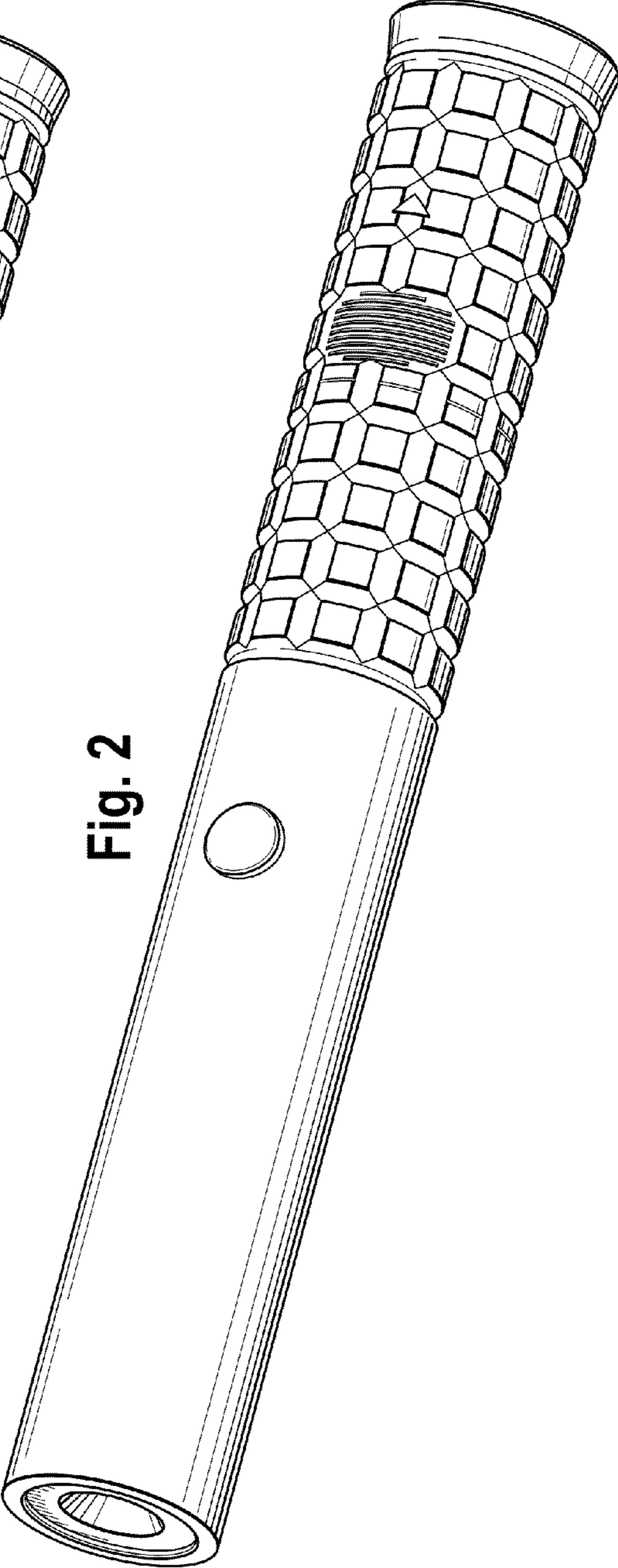


Fig. 2

Fig. 3

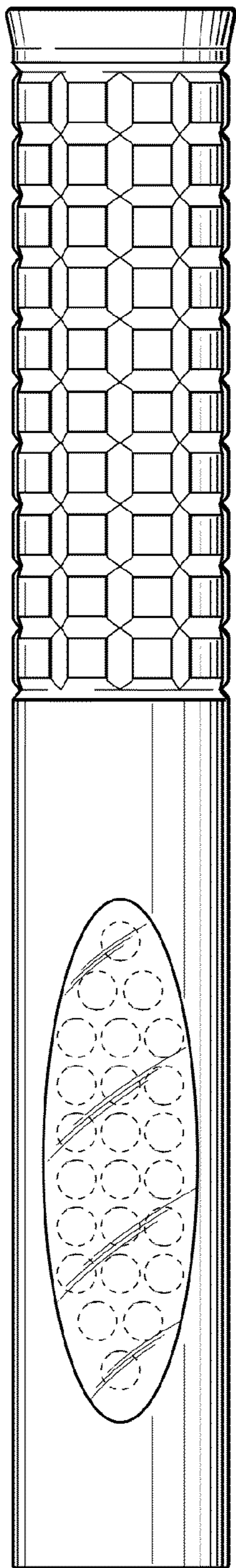


Fig. 4

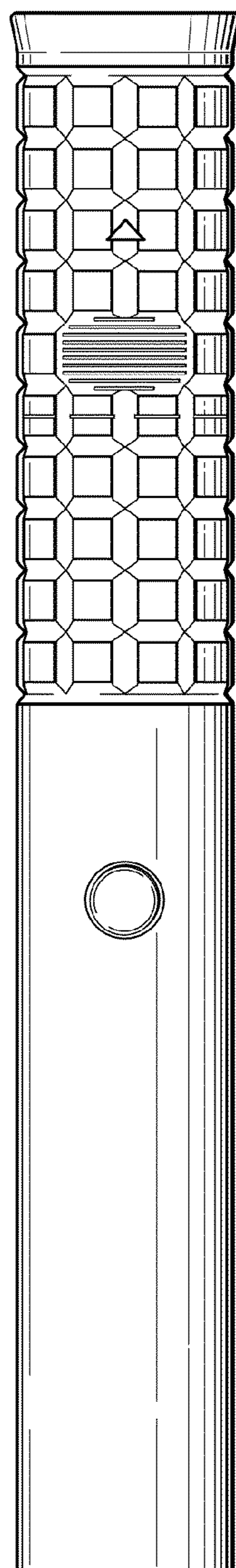


Fig. 5

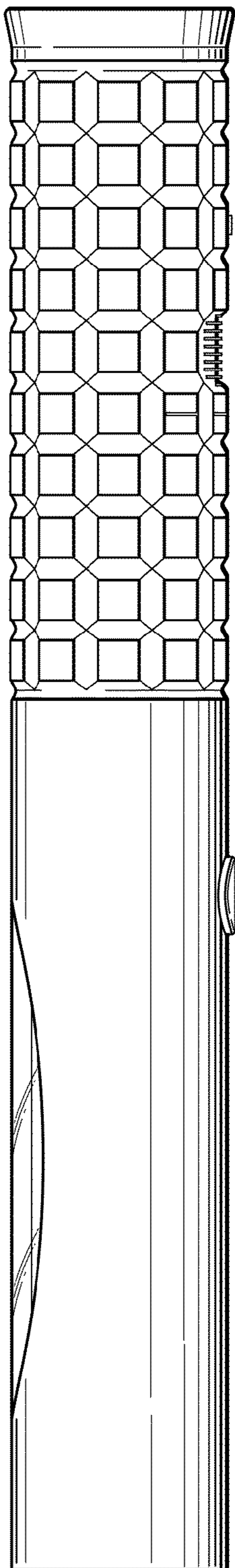


Fig. 6

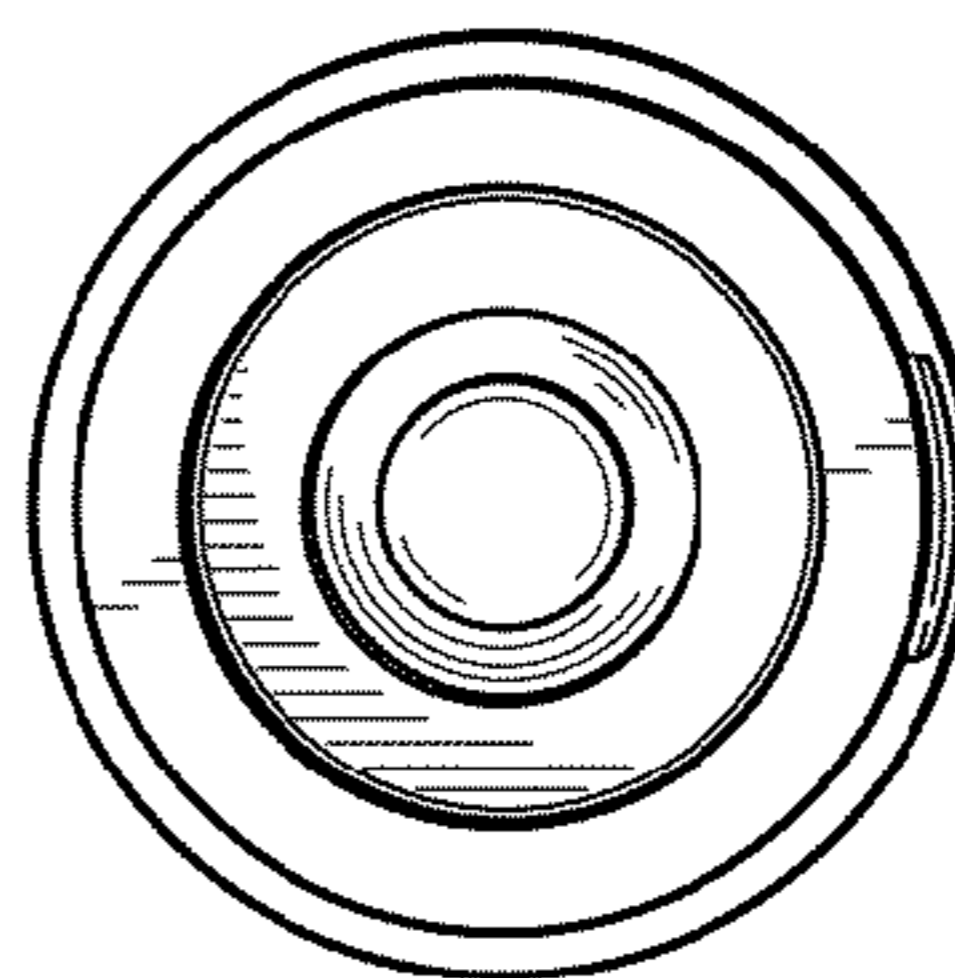


Fig. 7

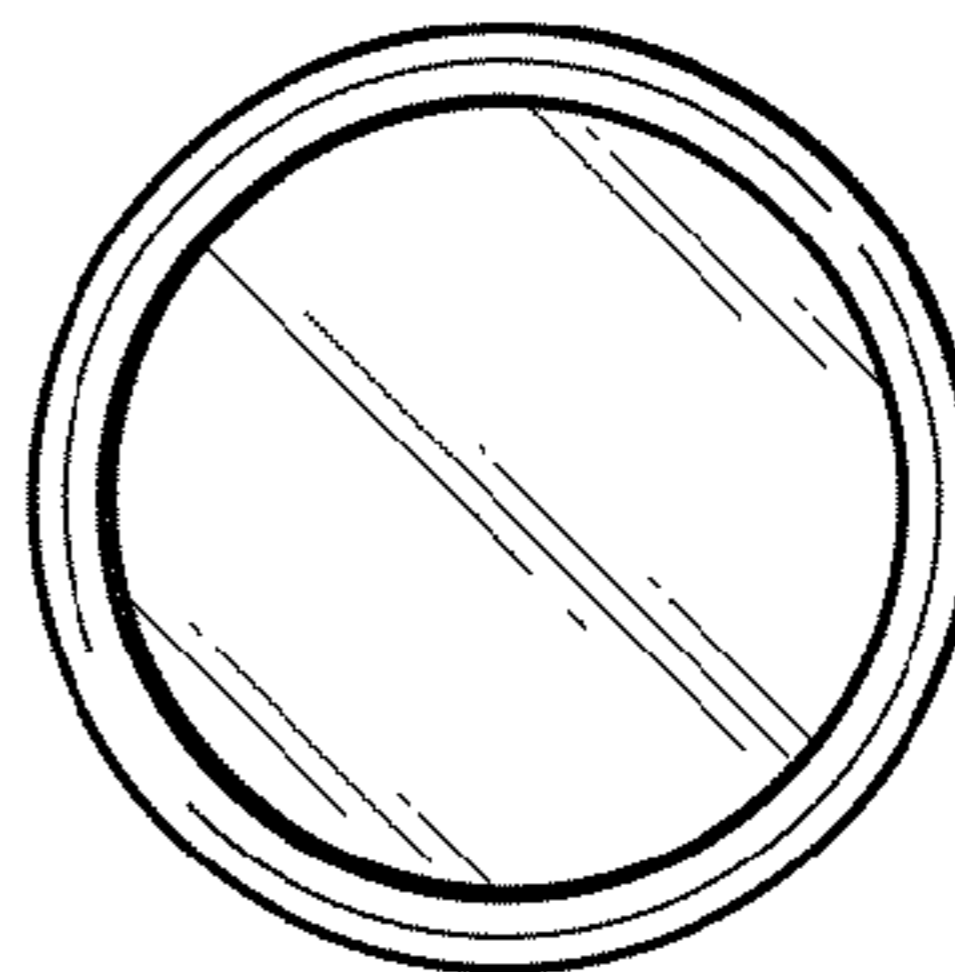


Fig. 8

