



US00D698054S

(12) **United States Design Patent**  
**He et al.**

(10) **Patent No.:** **US D698,054 S**  
(45) **Date of Patent:** **\*\* Jan. 21, 2014**

(54) **LED LIGHT SOURCE MODULE**

(75) Inventors: **Lin He**, Guangdong (CN); **Jian Li**,  
Guangdong (CN); **Shengyuan Li**,  
Guandong (CN)

(73) Assignee: **Shenzhen Bang-Bell Electronics Co.,  
Ltd.**, Shenzhen, Guangdong (CN)

(\*\*) Term: **14 Years**

(21) Appl. No.: **29/417,197**

(22) Filed: **Mar. 30, 2012**

(30) **Foreign Application Priority Data**

Sep. 30, 2011 (CN) ..... 2011 3 0347149

(51) **LOC (10) Cl.** ..... **26-04**

(52) **U.S. Cl.**  
USPC ..... **D26/3**

(58) **Field of Classification Search**  
USPC ..... D26/1-4; 313/313, 315, 316, 317, 318,  
313/493; 315/52, 53, 56, 57, 58  
See application file for complete search history.

(56) **References Cited**

**U.S. PATENT DOCUMENTS**

D506,274 S \* 6/2005 Moriyama et al. .... D26/3  
D606,673 S \* 12/2009 Kao ..... D26/3

D610,274 S \* 2/2010 Cho ..... D26/2  
D611,172 S \* 3/2010 Lin et al. .... D26/3  
D636,504 S \* 4/2011 Duster ..... D26/3  
D674,930 S \* 1/2013 Zhang ..... D26/3

\* cited by examiner

*Primary Examiner* — Marcus Jackson

(74) *Attorney, Agent, or Firm* — Morris Manning & Martin,  
LLP; Tim Tingkang Xia, Esq.

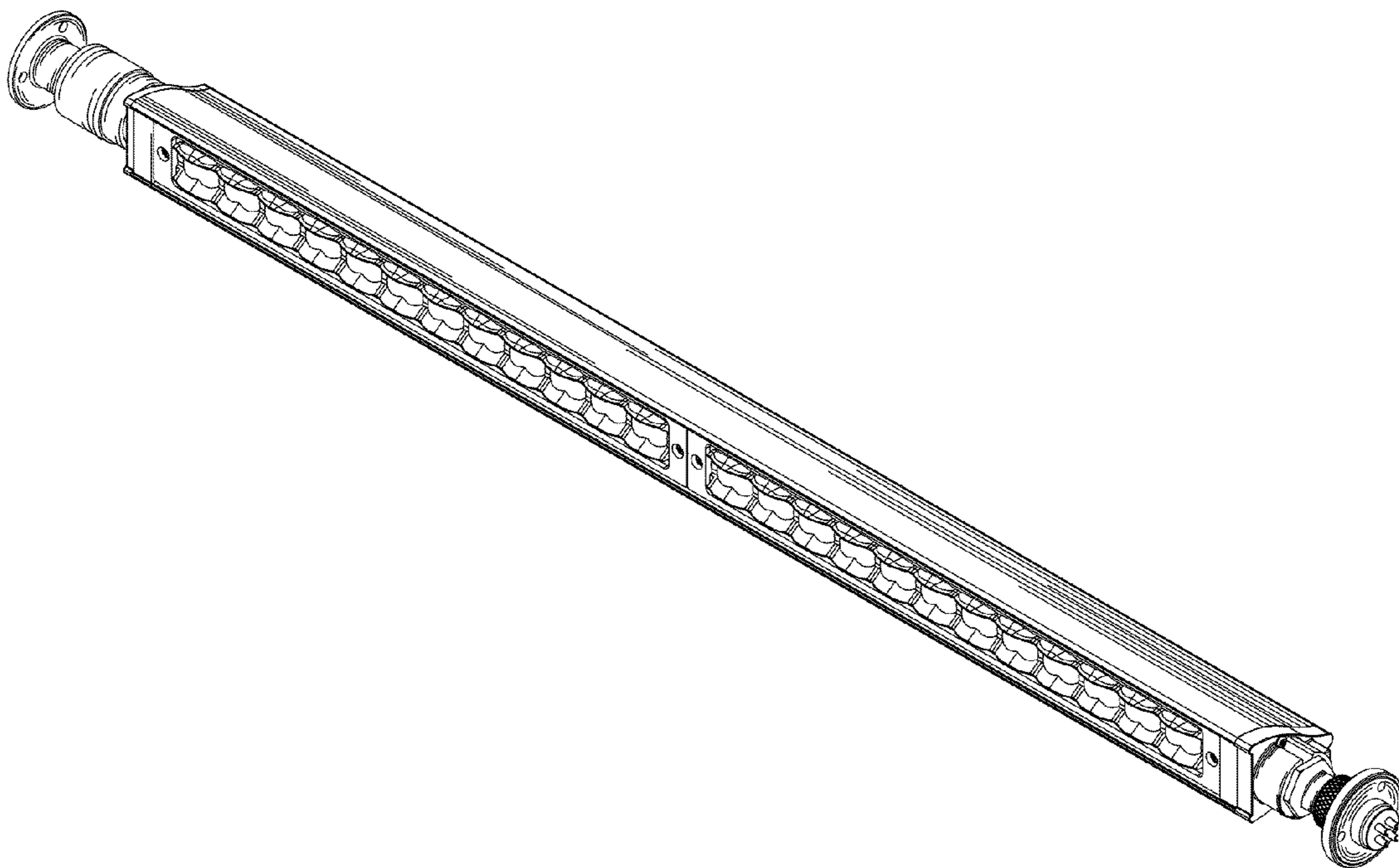
(57) **CLAIM**

The ornamental design of an LED light source module, as  
shown and described.

**DESCRIPTION**

FIG. 1 is a front, top and right side perspective view of an LED  
light source module showing our new design;  
FIG. 2 is a front elevational view thereof;  
FIG. 3 is a rear elevational view thereof;  
FIG. 4 is a left side elevational view thereof;  
FIG. 5 is a right side elevational view thereof;  
FIG. 6 is a top plan view thereof; and,  
FIG. 7 is a bottom plan view thereof.

**1 Claim, 5 Drawing Sheets**



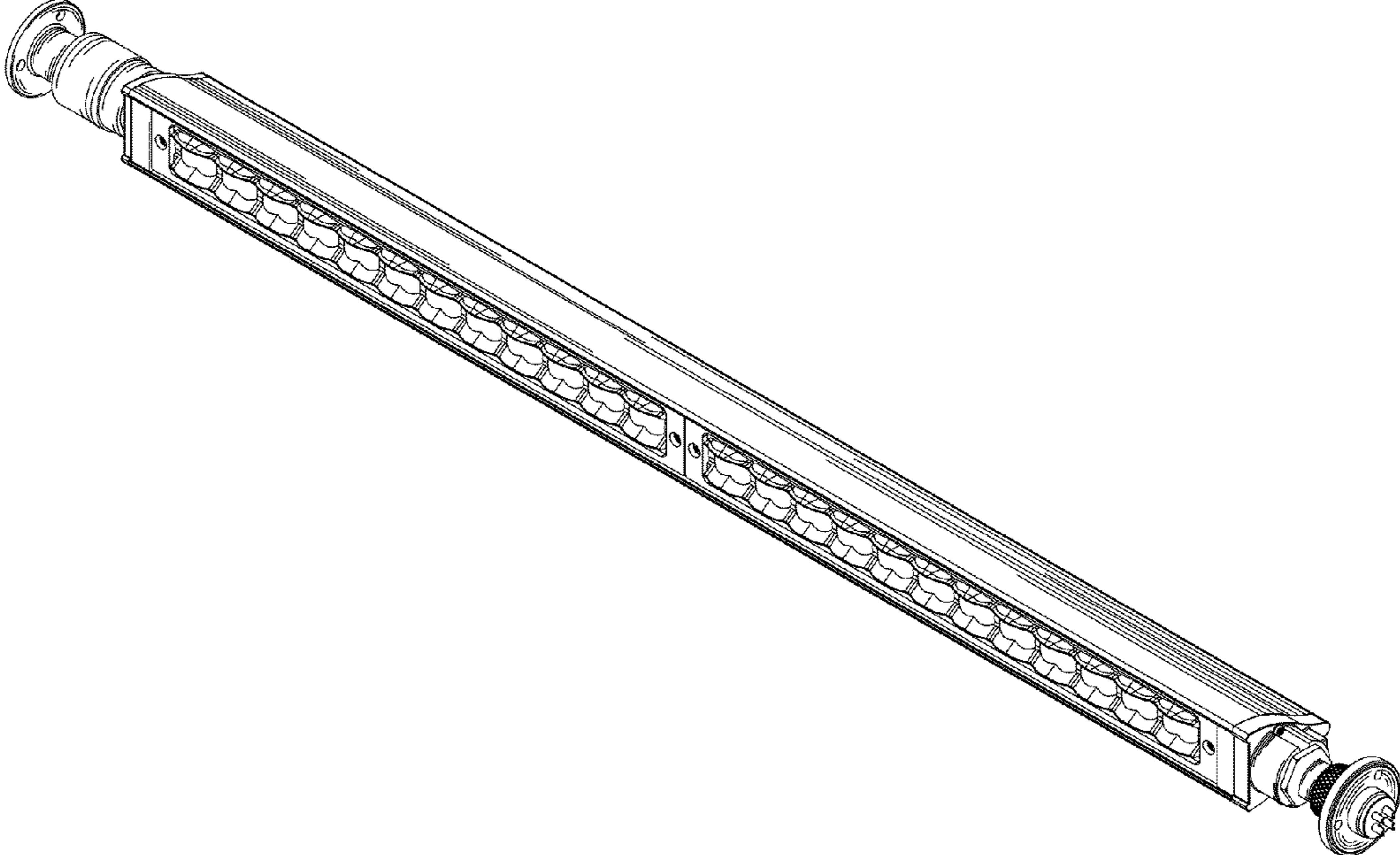


FIG. 1

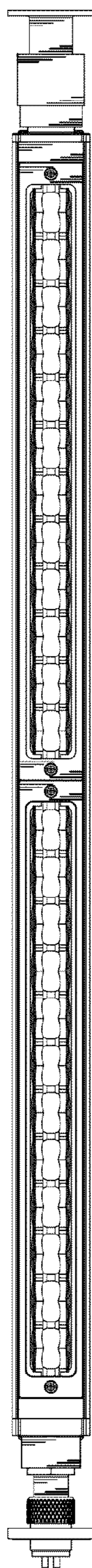


FIG. 2

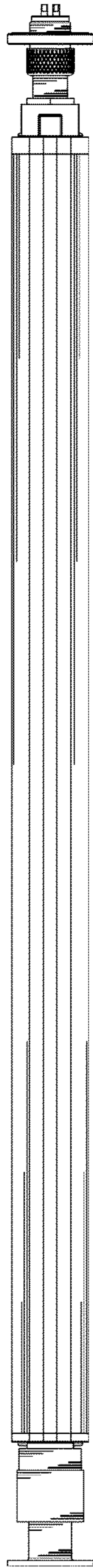


FIG. 3

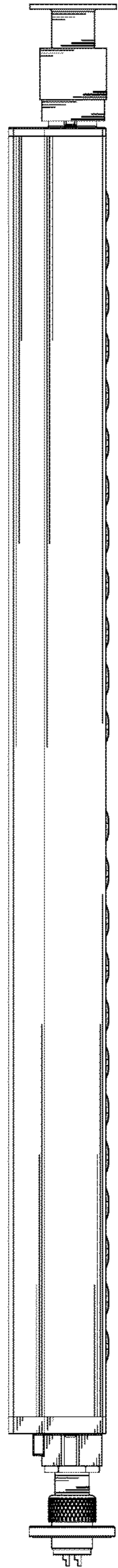


FIG. 4

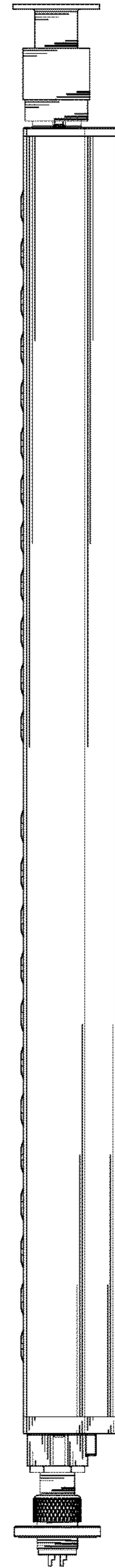


FIG. 5

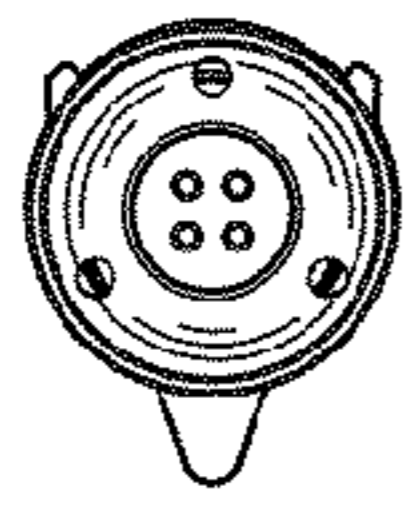


FIG. 6

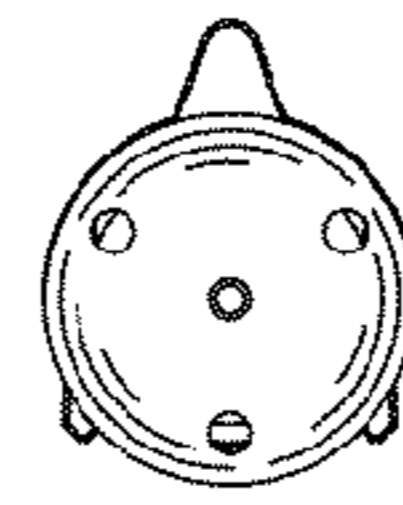


FIG. 7