



US00D698053S

(12) **United States Design Patent**
Rupp et al.

(10) **Patent No.:** **US D698,053 S**
(45) **Date of Patent:** **** Jan. 21, 2014**

(54) **LAMP**

(56)

References Cited

(71) Applicants: **Timon Rupp**, Munich (DE); **Shiyong Zhang**, Boxborough, MA (US); **Phil Rioux**, Brentwood, NH (US); **Yichong Zeng**, Chelmsford, MA (US)

(72) Inventors: **Timon Rupp**, Munich (DE); **Shiyong Zhang**, Boxborough, MA (US); **Phil Rioux**, Brentwood, NH (US); **Yichong Zeng**, Chelmsford, MA (US)

(73) Assignee: **OSRAM SYLVANIA Inc.**, Danvers, MA (US)

(**) Term: **14 Years**

(21) Appl. No.: **29/452,072**

(22) Filed: **Apr. 11, 2013**

(51) **LOC (10) Cl.** **26-04**

(52) **U.S. Cl.**
USPC **D26/2**

(58) **Field of Classification Search**
USPC D26/1-4; 313/313, 315, 316, 317, 318,
313/493; 315/52, 53, 56, 57, 58

See application file for complete search history.

U.S. PATENT DOCUMENTS

D532,532 S *	11/2006	Maxik	D26/2
D544,110 S *	6/2007	Hooker et al.	D26/2
D566,300 S *	4/2008	Lo	D26/2
D581,555 S *	11/2008	To et al.	D26/2
D584,838 S *	1/2009	To et al.	D26/2
D610,722 S *	2/2010	Bi	D26/2
D644,758 S	9/2011	Layevsky et al.	
D661,260 S	6/2012	Layevsky et al.	
D662,627 S *	6/2012	Pan	D26/2
D667,969 S	9/2012	Rioux et al.	
D687,576 S *	8/2013	Moon	D26/2

* cited by examiner

Primary Examiner — Marcus Jackson

(74) *Attorney, Agent, or Firm* — Edward S. Podszus

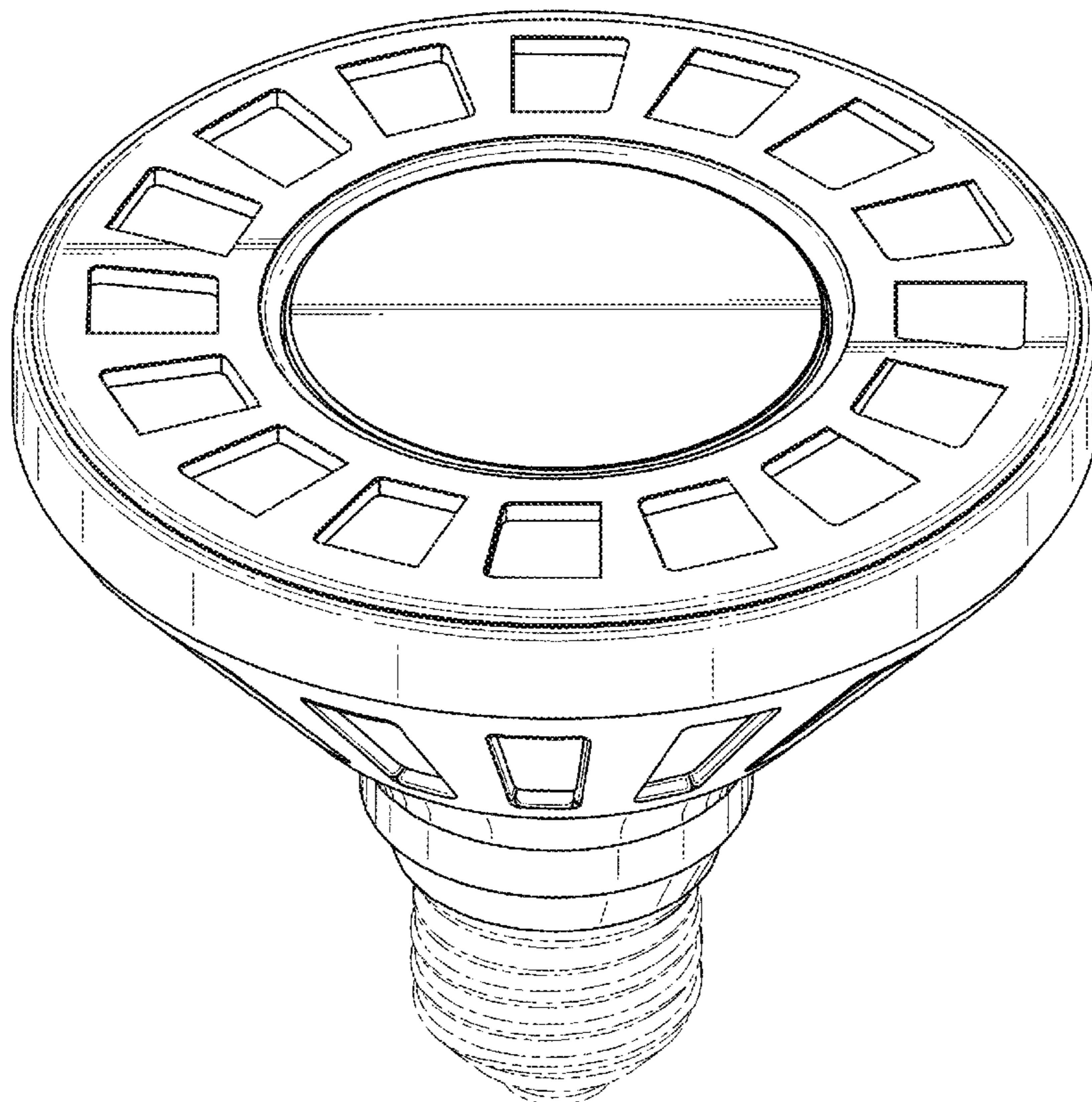
(57) **CLAIM**

The ornamental design for a lamp, as shown and described.

DESCRIPTION

FIG. 1 is a perspective view of the design for a lamp as seen from the front, top;
FIG. 2 is a front elevational view thereof, the rear and side views being similar;
FIG. 3 is a top plan view thereof; and,
FIG. 4 is a bottom plan view thereof.
The broken line disclosure is for environmental purposes only and does not form a part of the claimed design.

1 Claim, 4 Drawing Sheets



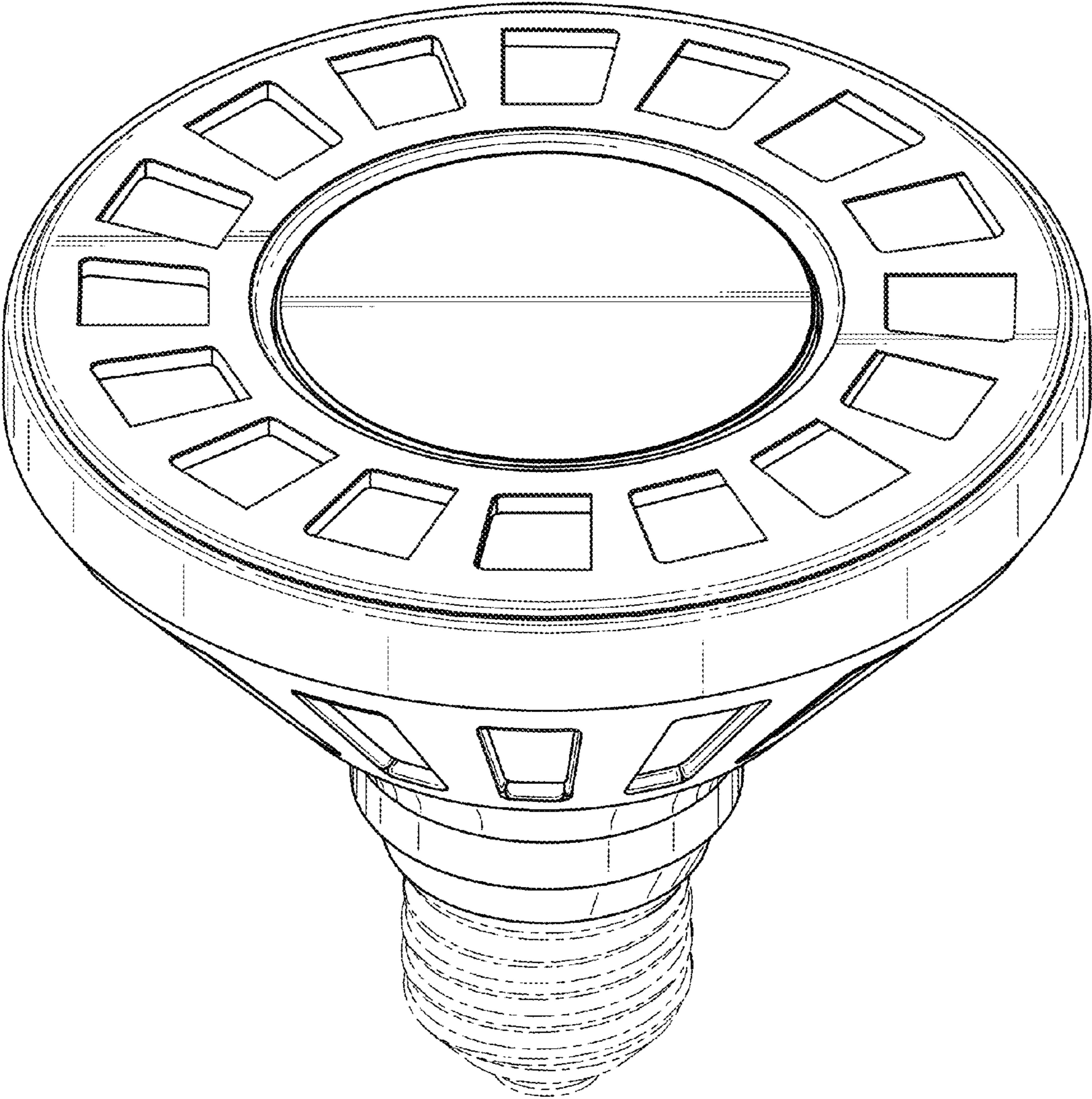


FIG. 1

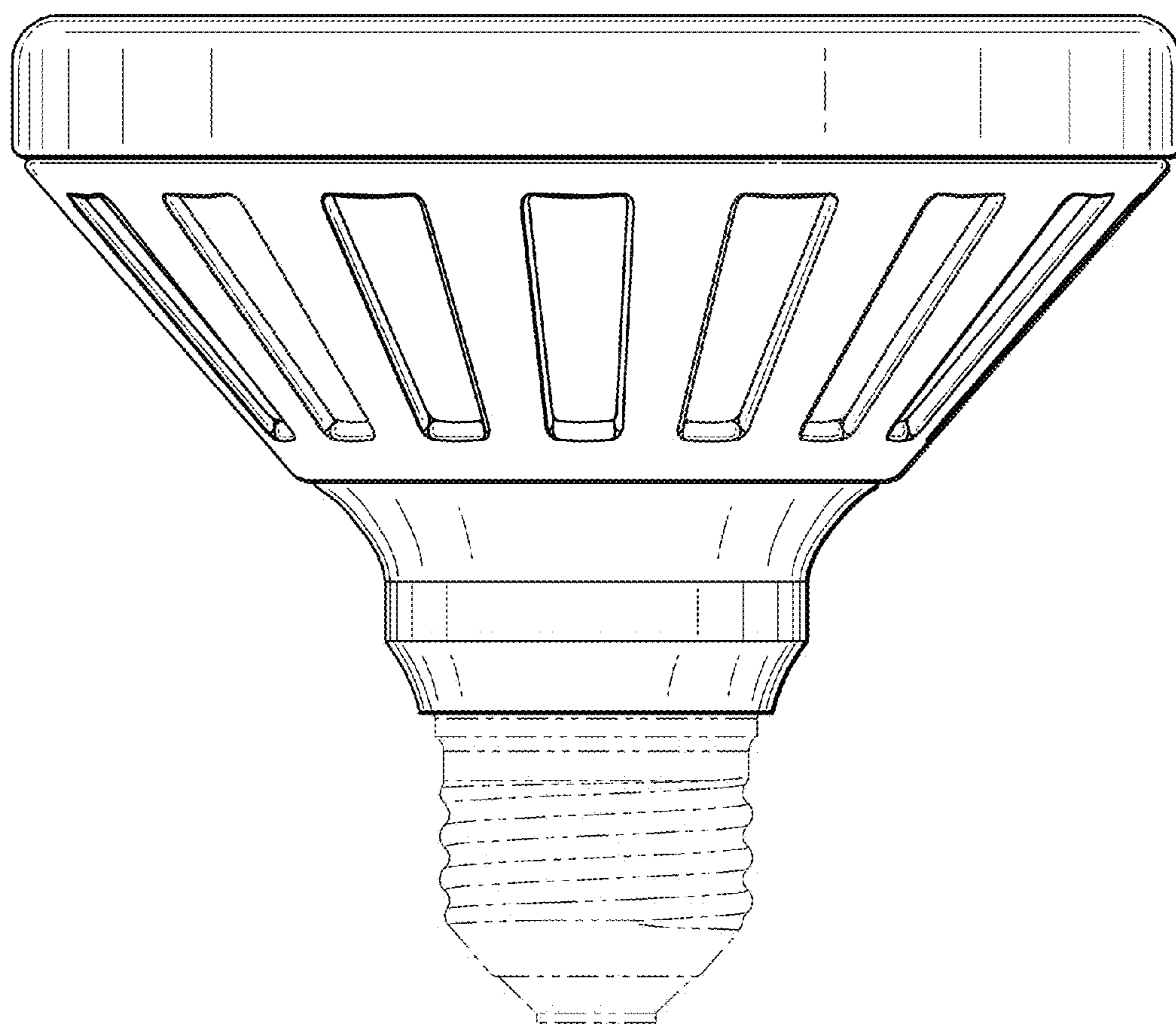


FIG. 2

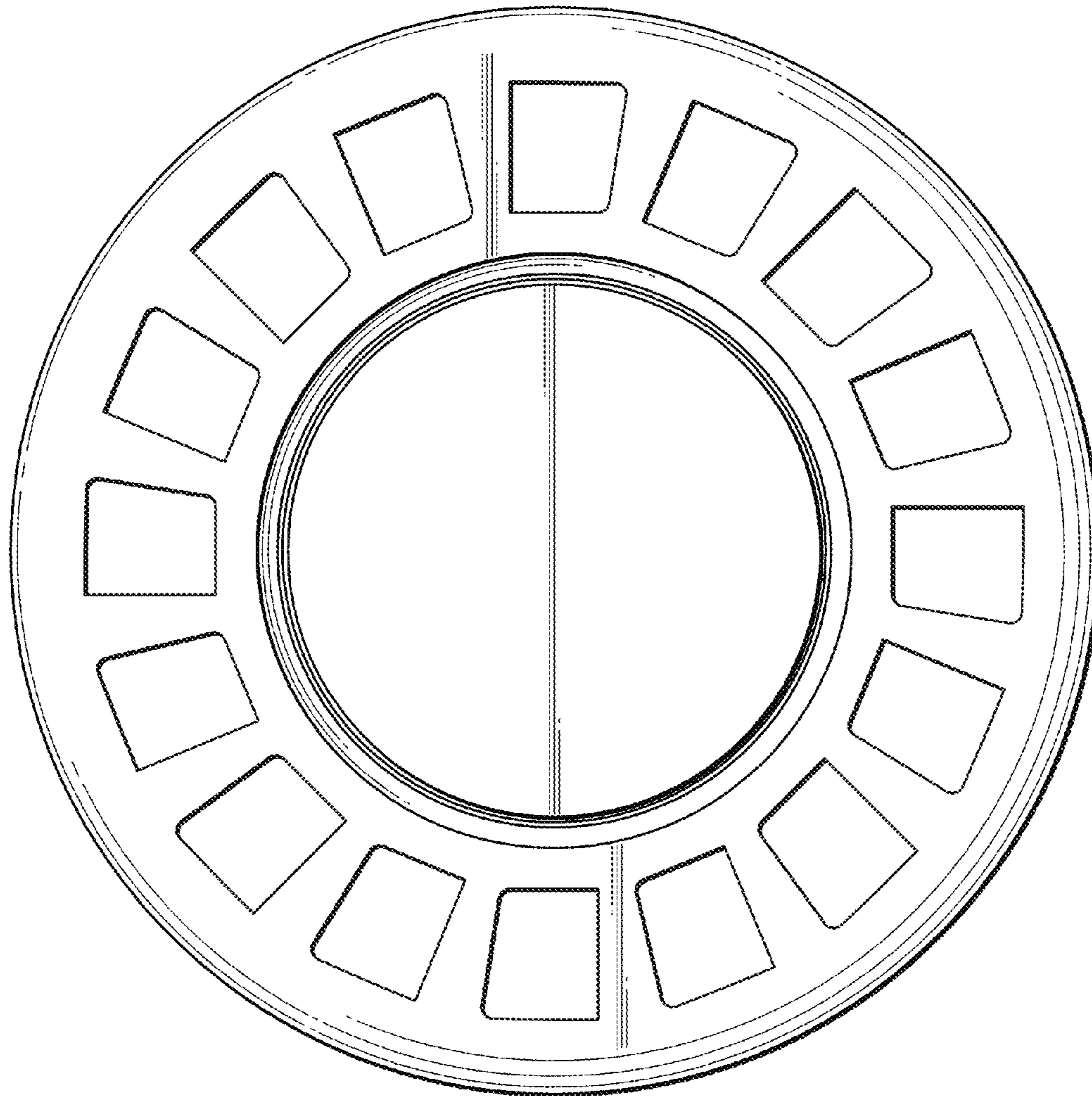


FIG. 3

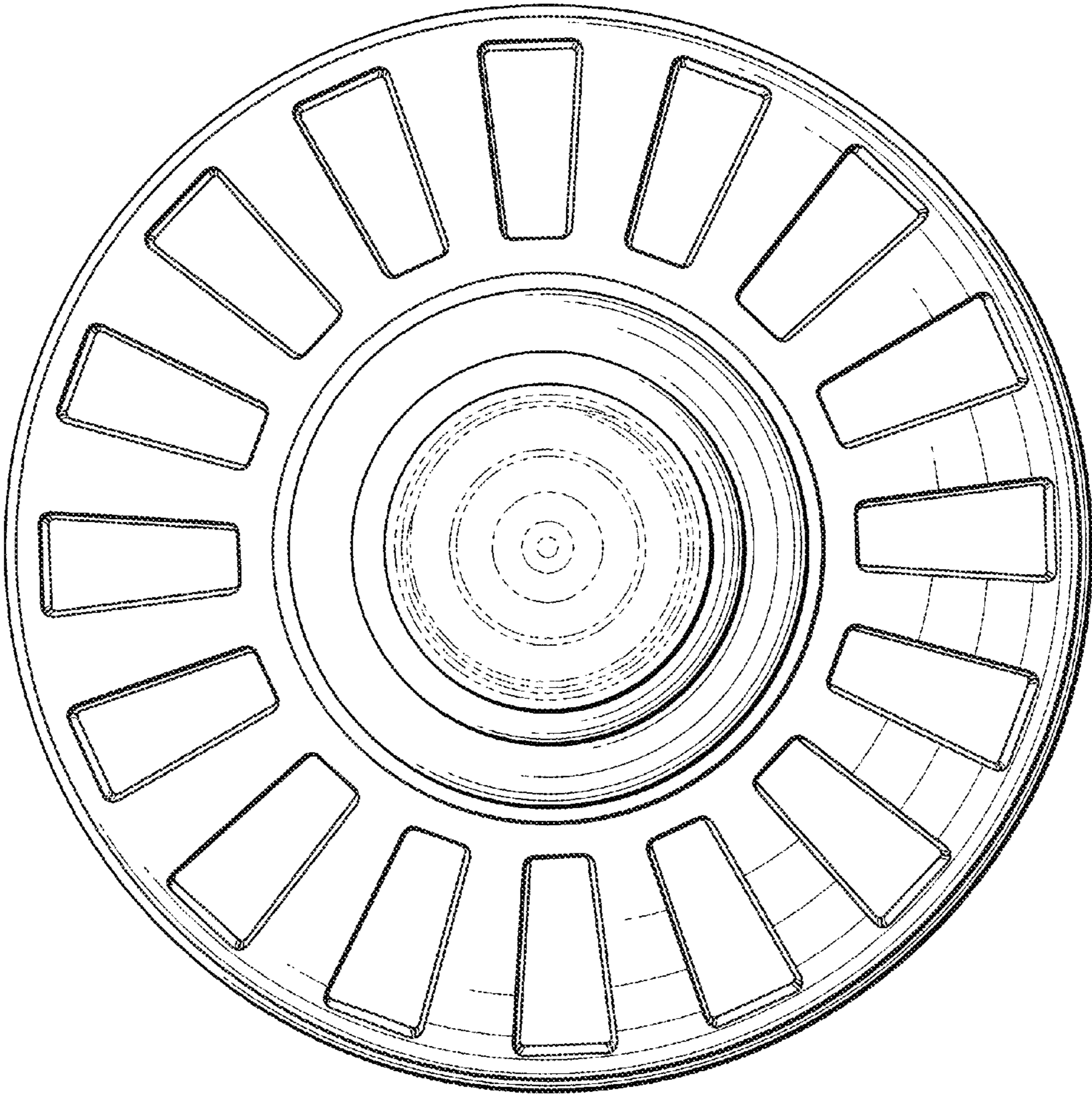


FIG. 4