



US00D698052S

(12) **United States Design Patent**  
**Li et al.**

(10) **Patent No.:** **US D698,052 S**  
(45) **Date of Patent:** **\*\* Jan. 21, 2014**

(54) **SOLID STATE LIGHTING SPOT**

(56) **References Cited**

(71) Applicant: **Koninklijke Philips Electronics N.V.**,  
Eindhoven (NL)

U.S. PATENT DOCUMENTS

(72) Inventors: **Wesley Xiaowei Li**, Shanghai (CN);  
**Tracy Li Cheng**, Shanghai (CN); **Angel**  
**Qi Lin**, Shanghai (CN)

D592,766 S *	5/2009	Zhu et al.	.....	D26/2
D607,587 S *	1/2010	Ko	.....	D26/2
D610,275 S *	2/2010	Cho	.....	D26/2
D612,956 S *	3/2010	Moon	.....	D26/2
D613,433 S *	4/2010	Moon	.....	D26/2
D687,985 S *	8/2013	Tu	.....	D26/2

(73) Assignee: **Koninklijke Philips N.V.**, Eindhoven  
(NL)

\* cited by examiner

(\*\*) Term: **14 Years**

*Primary Examiner* — Marcus Jackson

(21) Appl. No.: **29/450,759**

(57) **CLAIM**

The ornamental design for a solid state lighting spot, as shown.

(22) Filed: **Mar. 22, 2013**

(30) **Foreign Application Priority Data**

**DESCRIPTION**

Sep. 24, 2012 (EM) ..... 002107995-0001

(51) **LOC (10) Cl.** ..... **26-04**

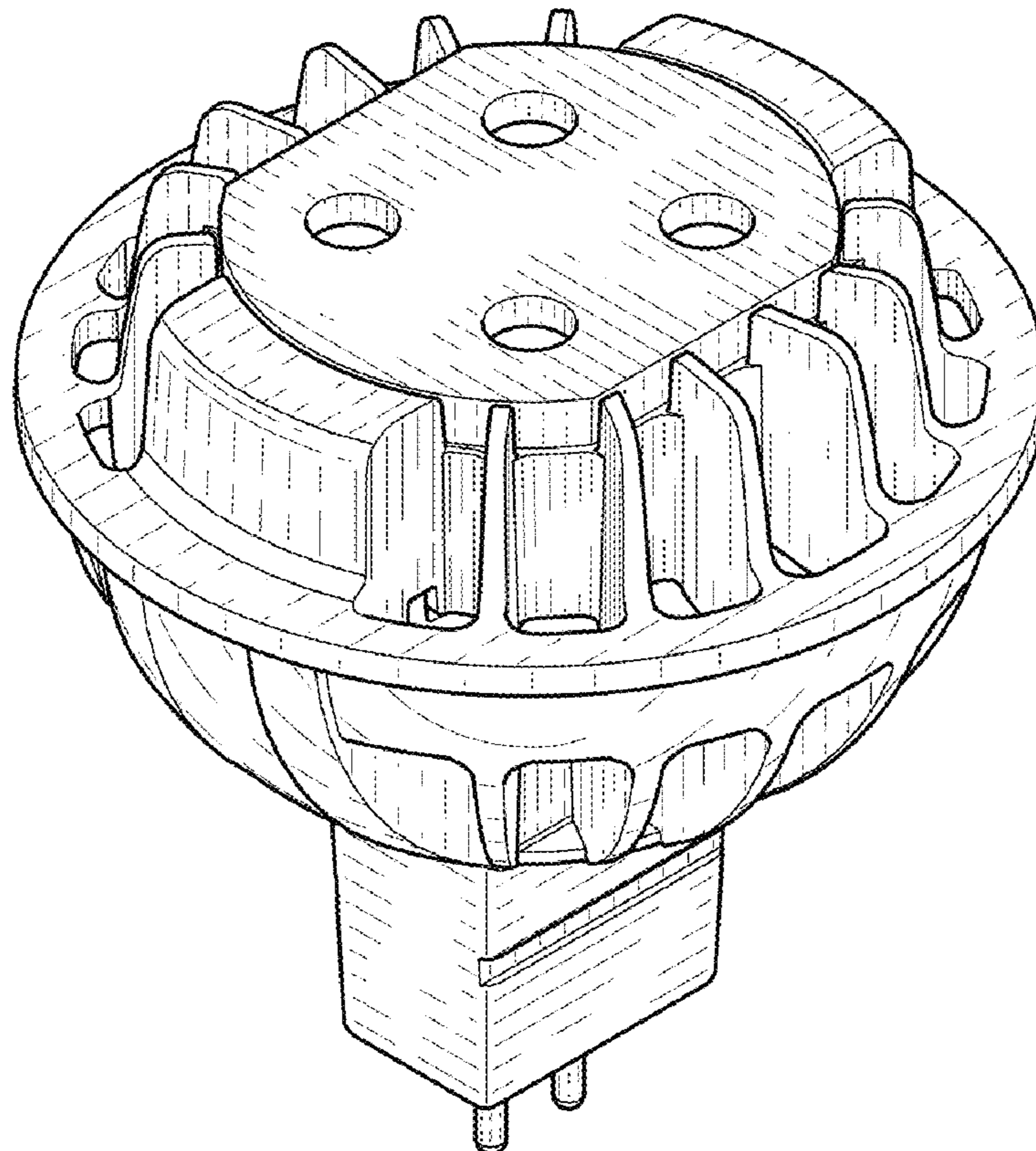
(52) **U.S. Cl.**  
USPC ..... **D26/2**

(58) **Field of Classification Search**  
USPC ..... D26/1-4; 313/313, 315, 316, 317, 318,  
313/493; 315/52, 53, 56, 57, 58

FIG. 1 is a perspective view showing my design;  
FIG. 2 is a front elevational view thereof;  
FIG. 3 is a rear elevational view thereof;  
FIG. 4 is a right side elevational view thereof;  
FIG. 5 is a left side elevational view thereof;  
FIG. 6 is a top plan view thereof; and,  
FIG. 7 is a bottom plan view thereof.

See application file for complete search history.

**1 Claim, 4 Drawing Sheets**



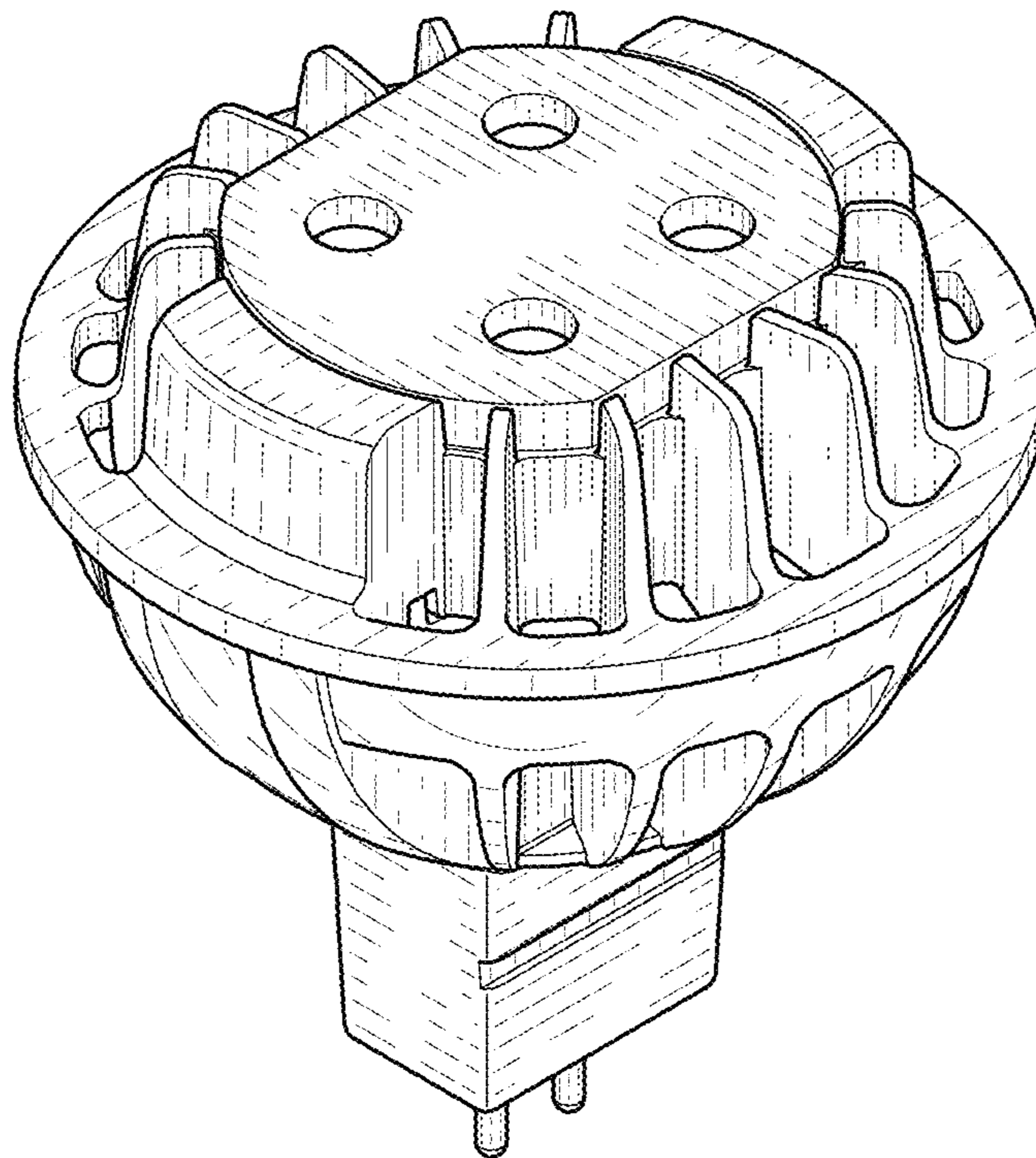


FIG. 1

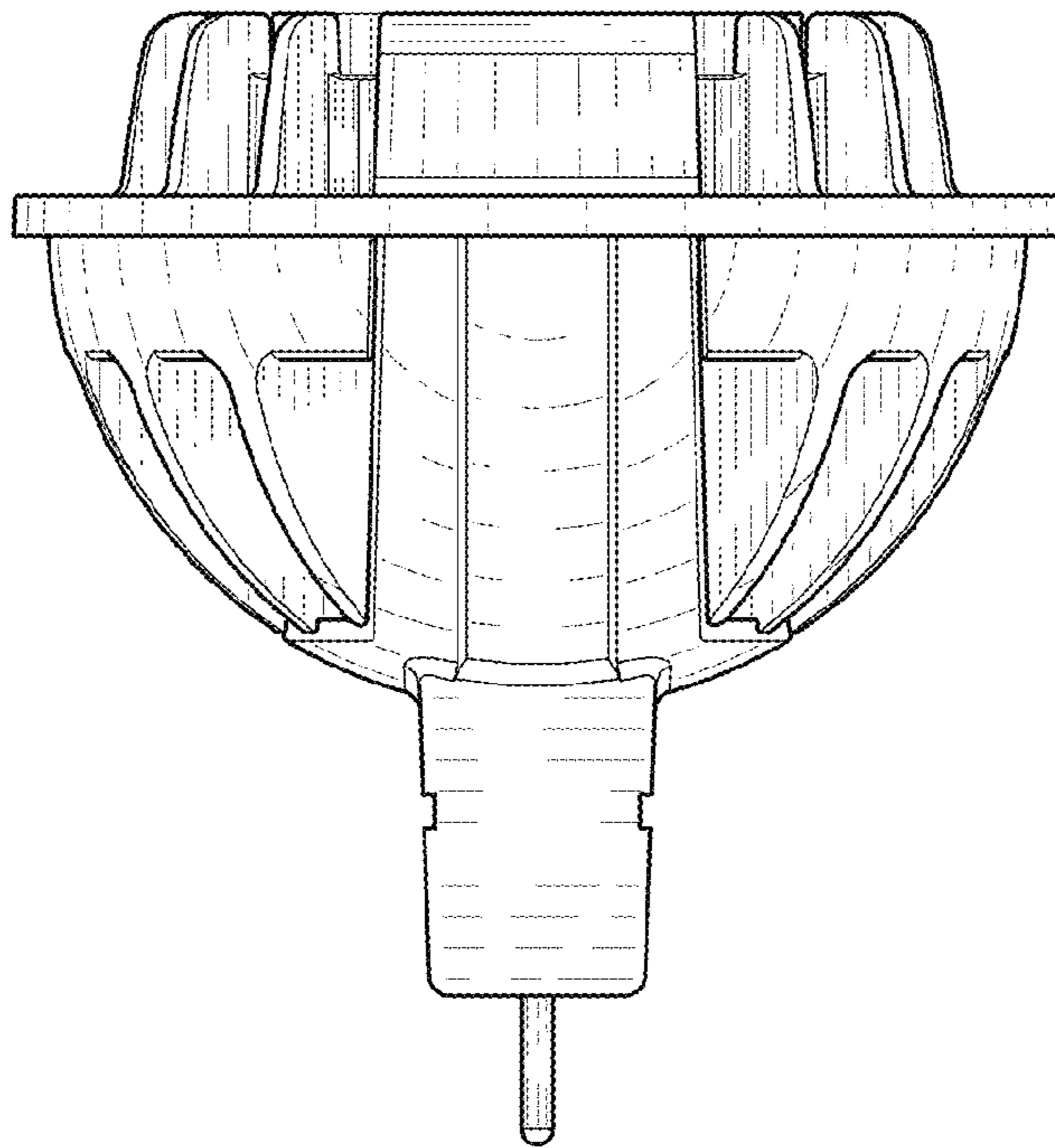


FIG. 2

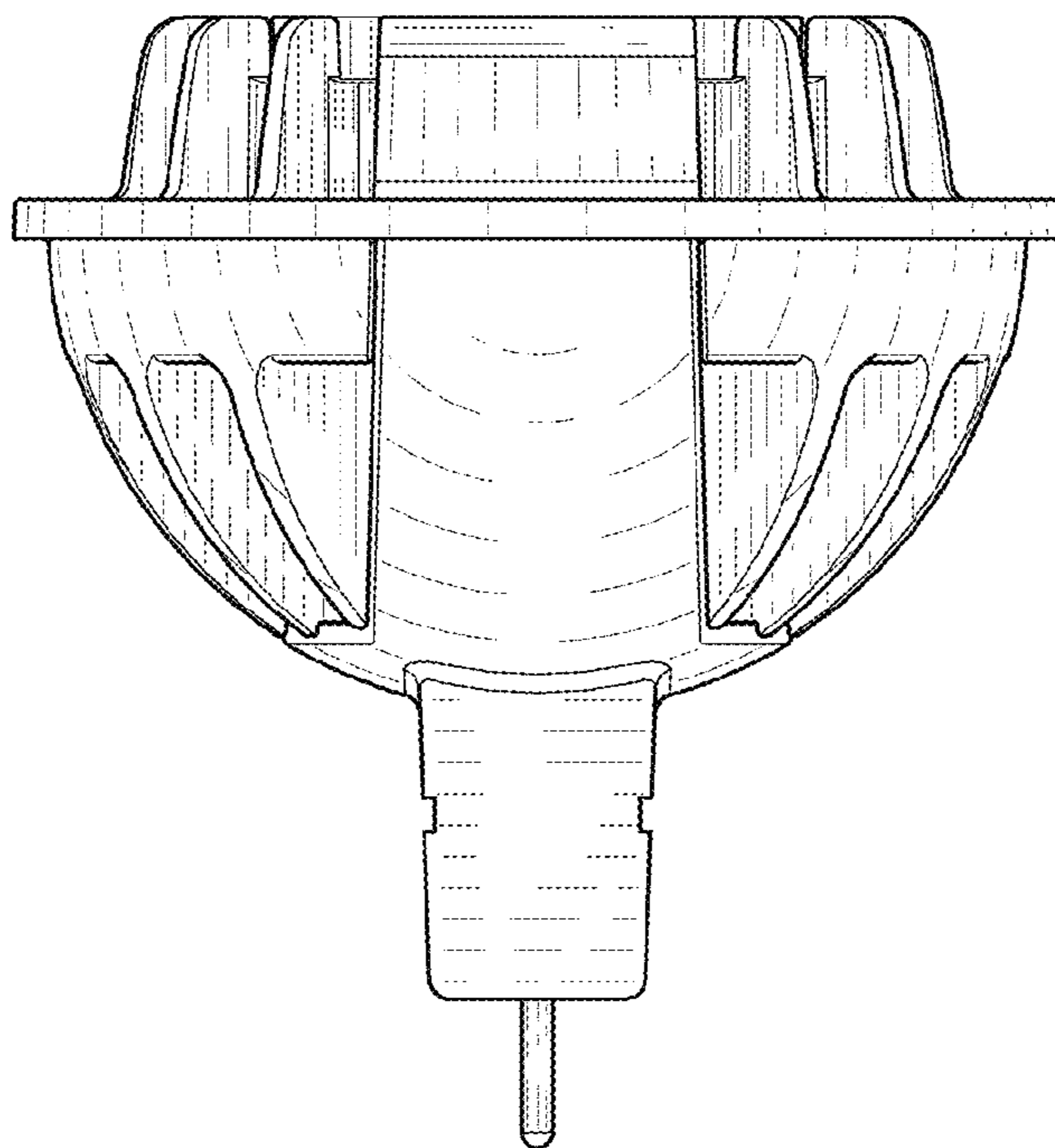


FIG. 3

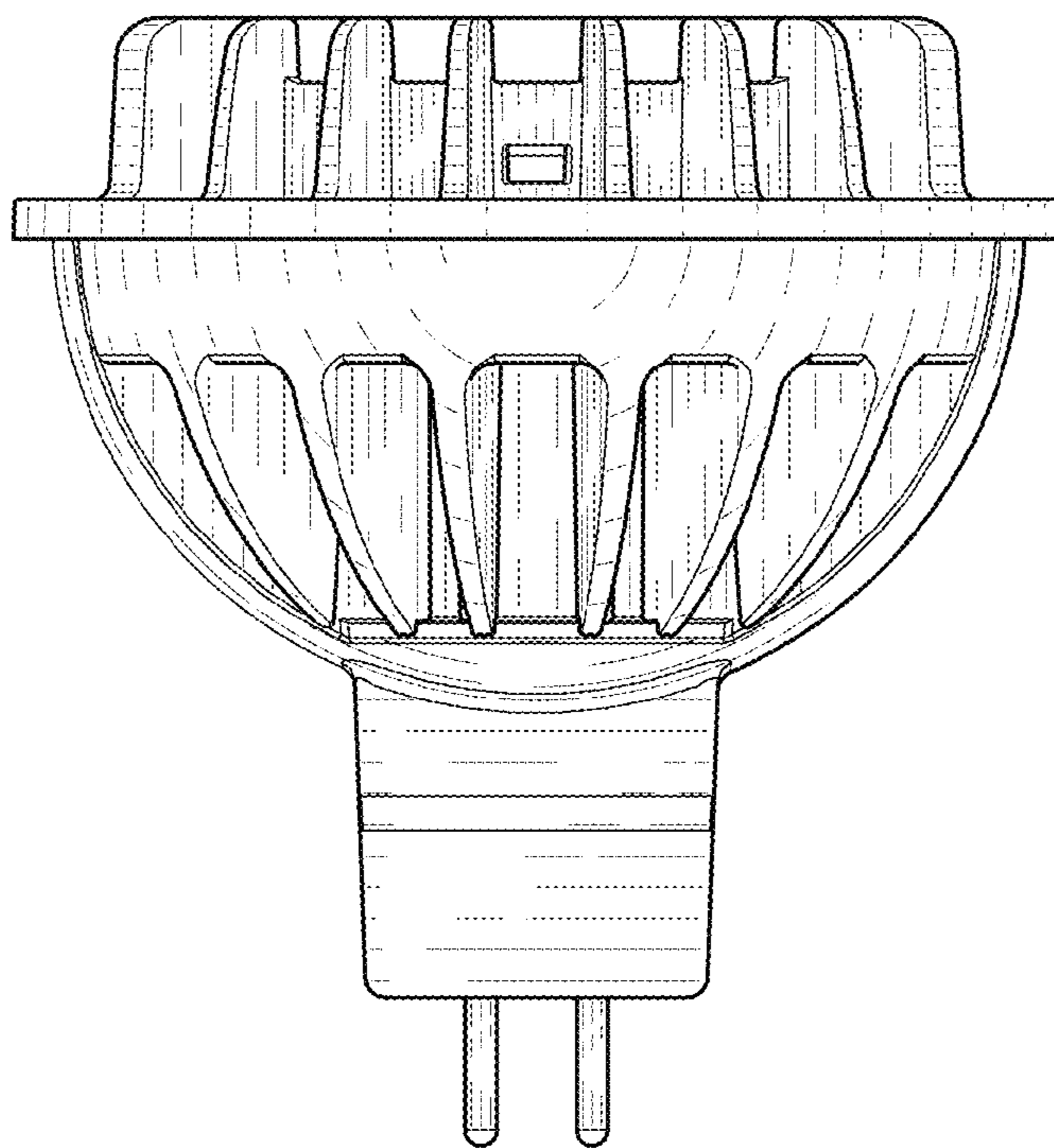


FIG. 4

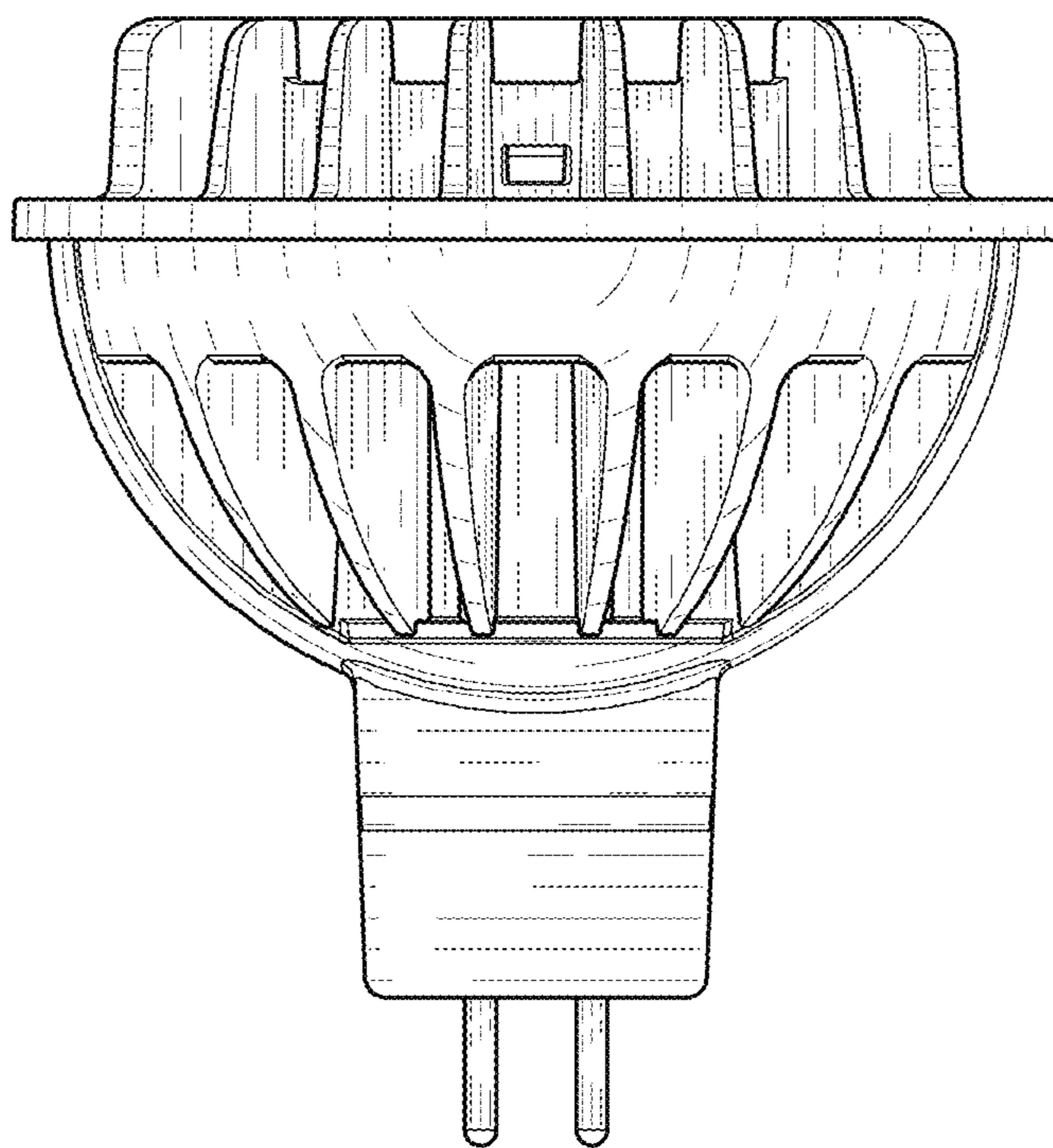


FIG. 5

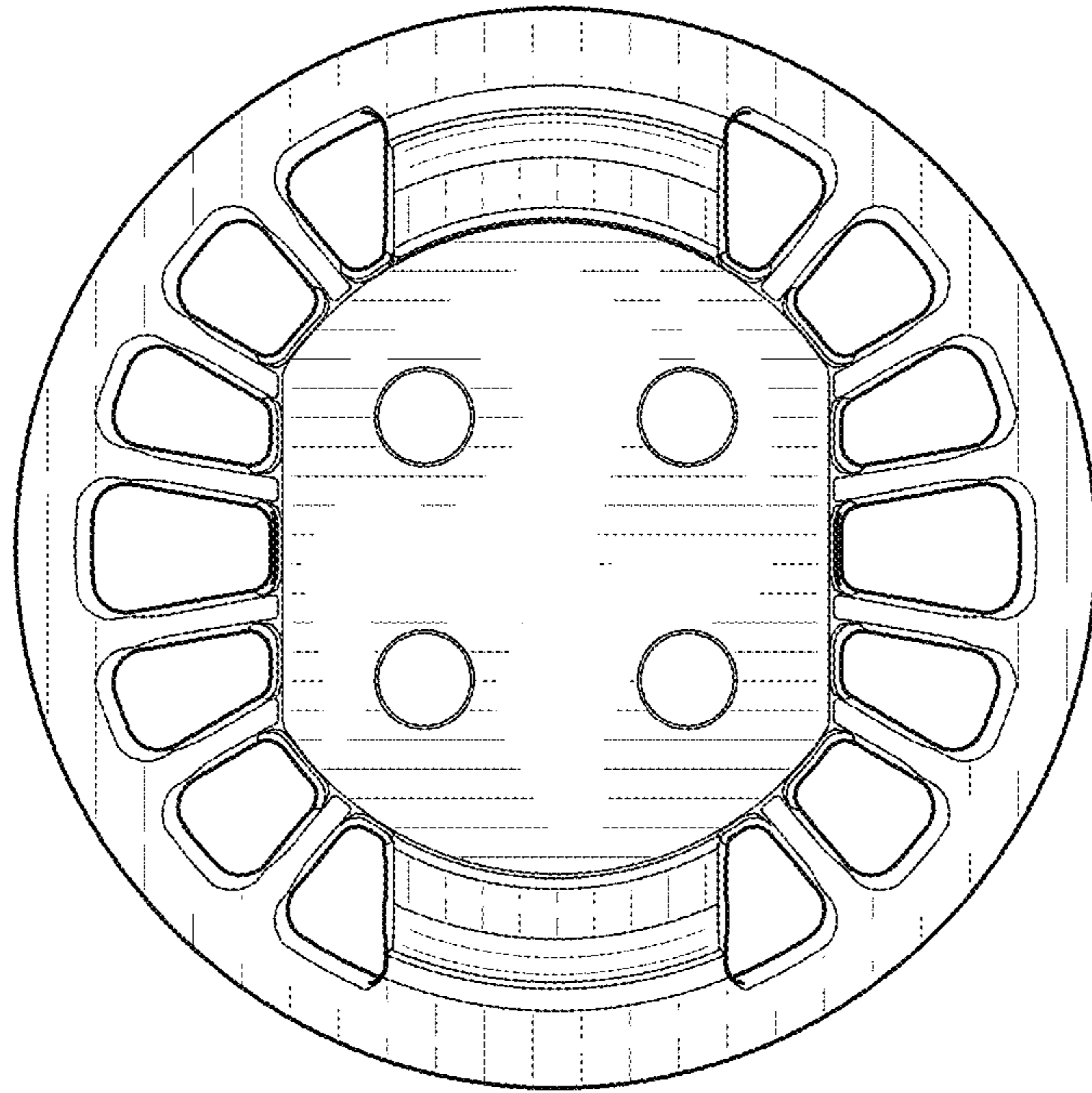


FIG. 6

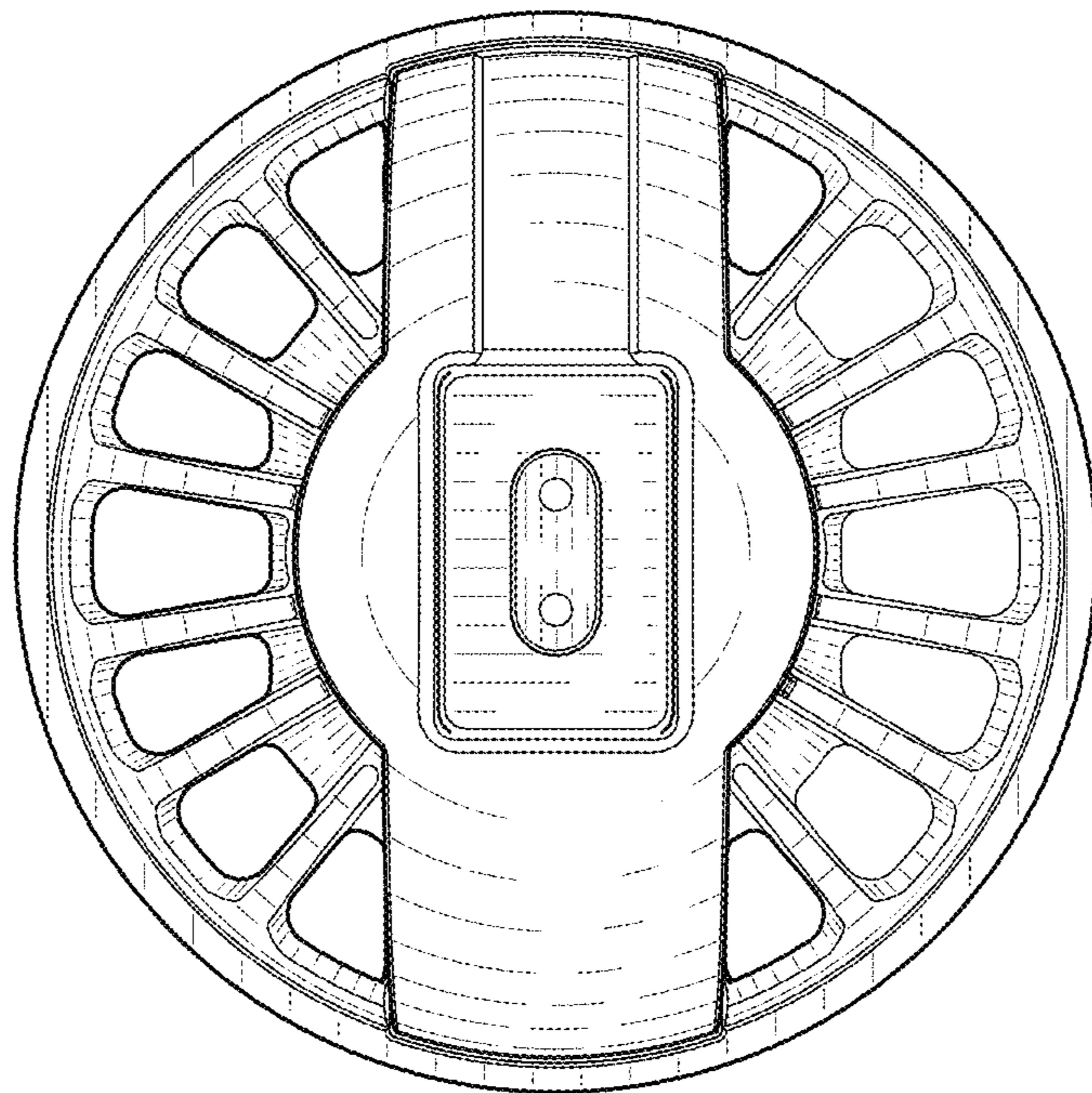


FIG. 7