

US00D698051S

(12) **United States Design Patent**
Jiang et al.

(10) **Patent No.:** **US D698,051 S**
(45) **Date of Patent:** **** Jan. 21, 2014**

(54) **SOLID STATE LIGHTING SPOT**

(56) **References Cited**

(75) Inventors: **Hao Jiang**, Shanghai (CN); **Robert Zou**,
Shanghai (CN)

U.S. PATENT DOCUMENTS

(73) Assignee: **Koninklijke Philips N.V.**, Eindhoven
(NL)

D532,532 S *	11/2006	Maxik	D26/2
D544,110 S *	6/2007	Hooker et al.	D26/2
D566,300 S *	4/2008	Lo	D26/2
D581,555 S *	11/2008	To et al.	D26/2
D584,838 S *	1/2009	To et al.	D26/2
D610,722 S *	2/2010	Bi	D26/2
D677,806 S *	3/2013	Jiang et al.	D26/2

(**) Term: **14 Years**

* cited by examiner

(21) Appl. No.: **29/431,192**

Primary Examiner — Marcus Jackson

(22) Filed: **Sep. 5, 2012**

(57) **CLAIM**

(30) **Foreign Application Priority Data**

The ornamental design for a solid state lighting spot, as shown.

Mar. 6, 2012 (EM) 002003988-0004

DESCRIPTION

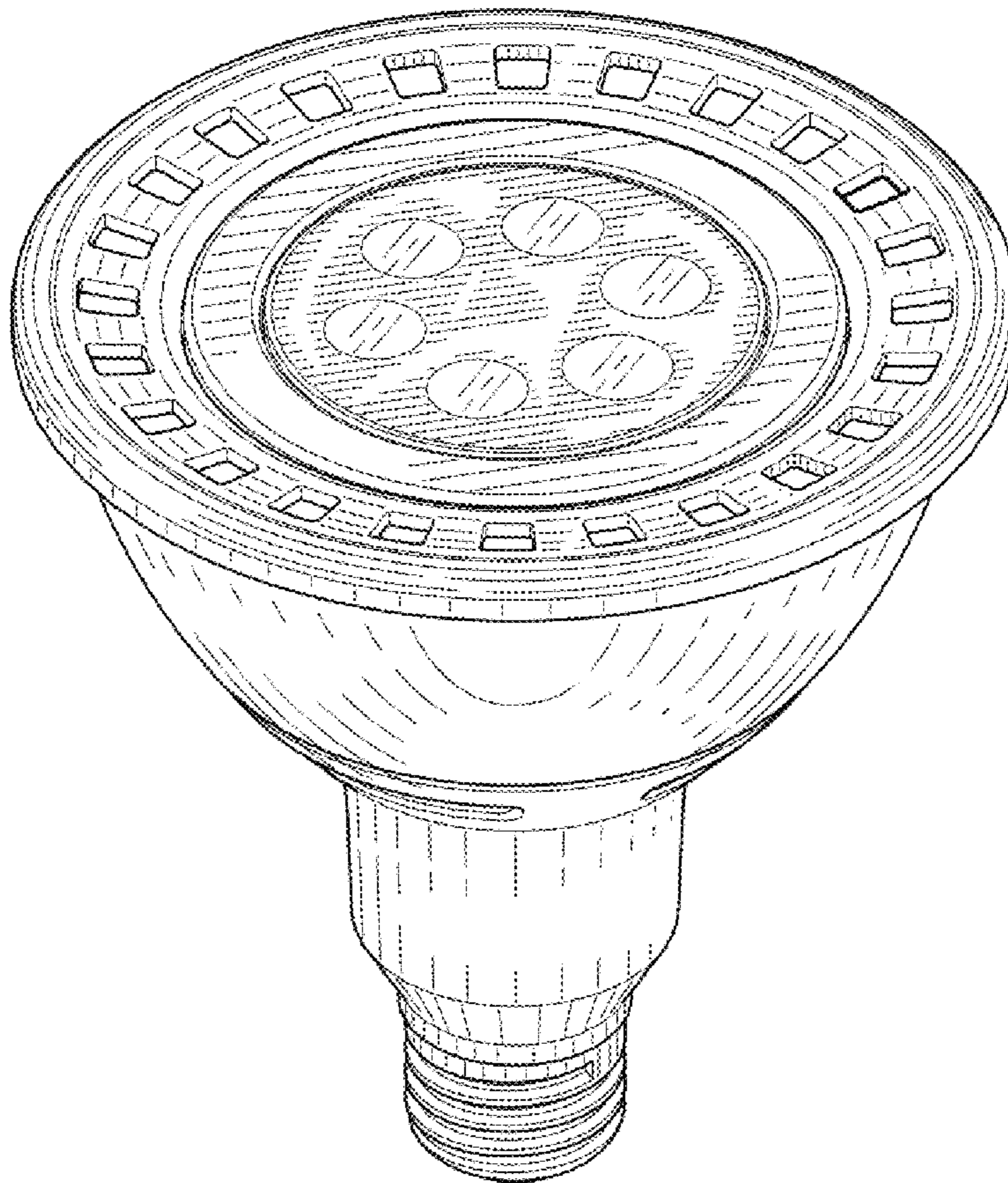
(51) **LOC (10) Cl.** **26-04**

FIG. 1 is a perspective view showing my design;
FIG. 2 is a front elevational view thereof;
FIG. 3 is a rear elevational view thereof;
FIG. 4 is a right side elevational view thereof;
FIG. 5 is a left side elevational view thereof;
FIG. 6 is a top plan view thereof; and,
FIG. 7 is a bottom plan view thereof.

(52) **U.S. Cl.**
USPC **D26/2**

(58) **Field of Classification Search**
USPC D26/1-4; 313/313, 315, 316, 317, 318,
313/493; 315/52, 53, 56, 57, 58
See application file for complete search history.

1 Claim, 3 Drawing Sheets



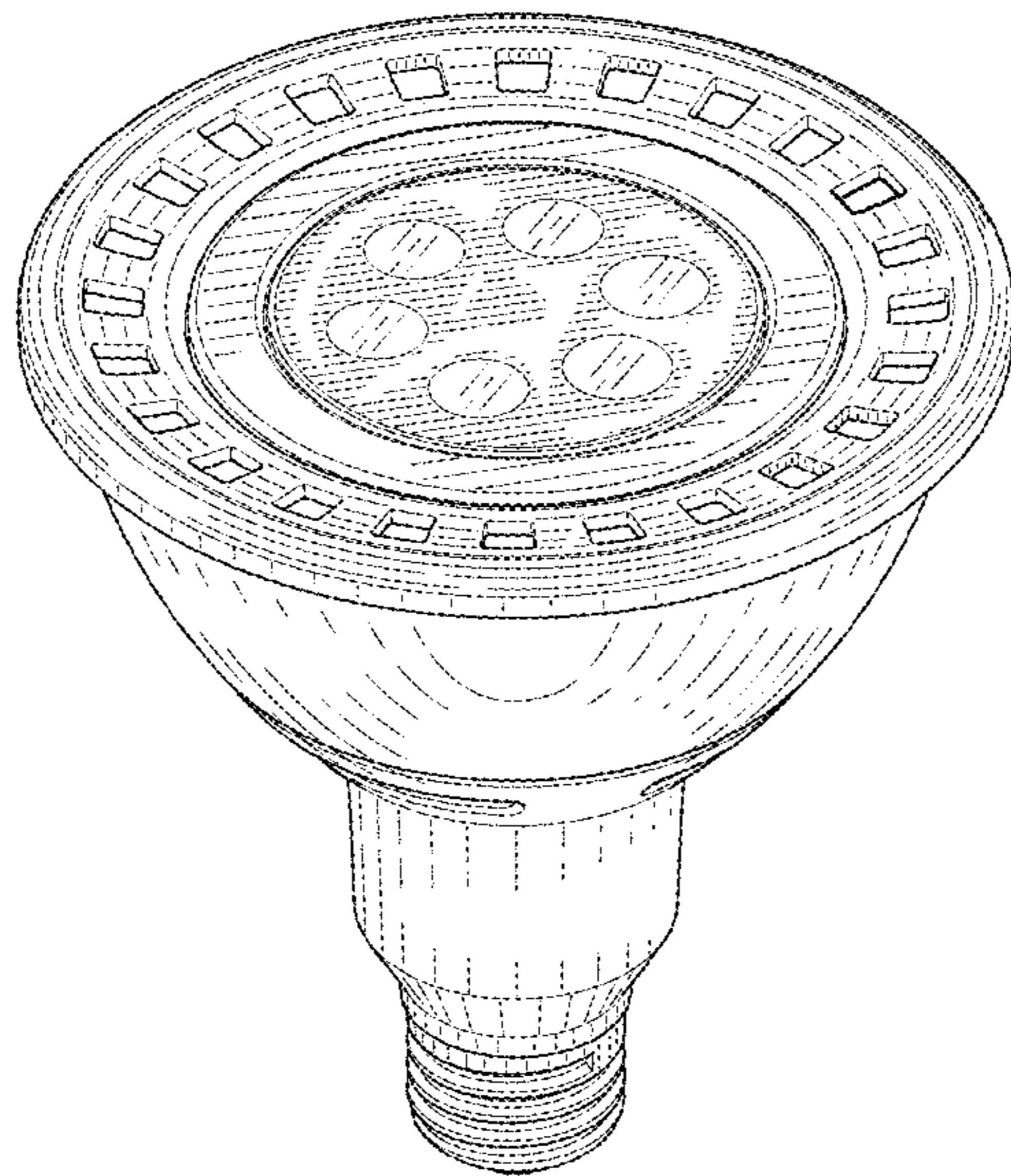


FIG. 1

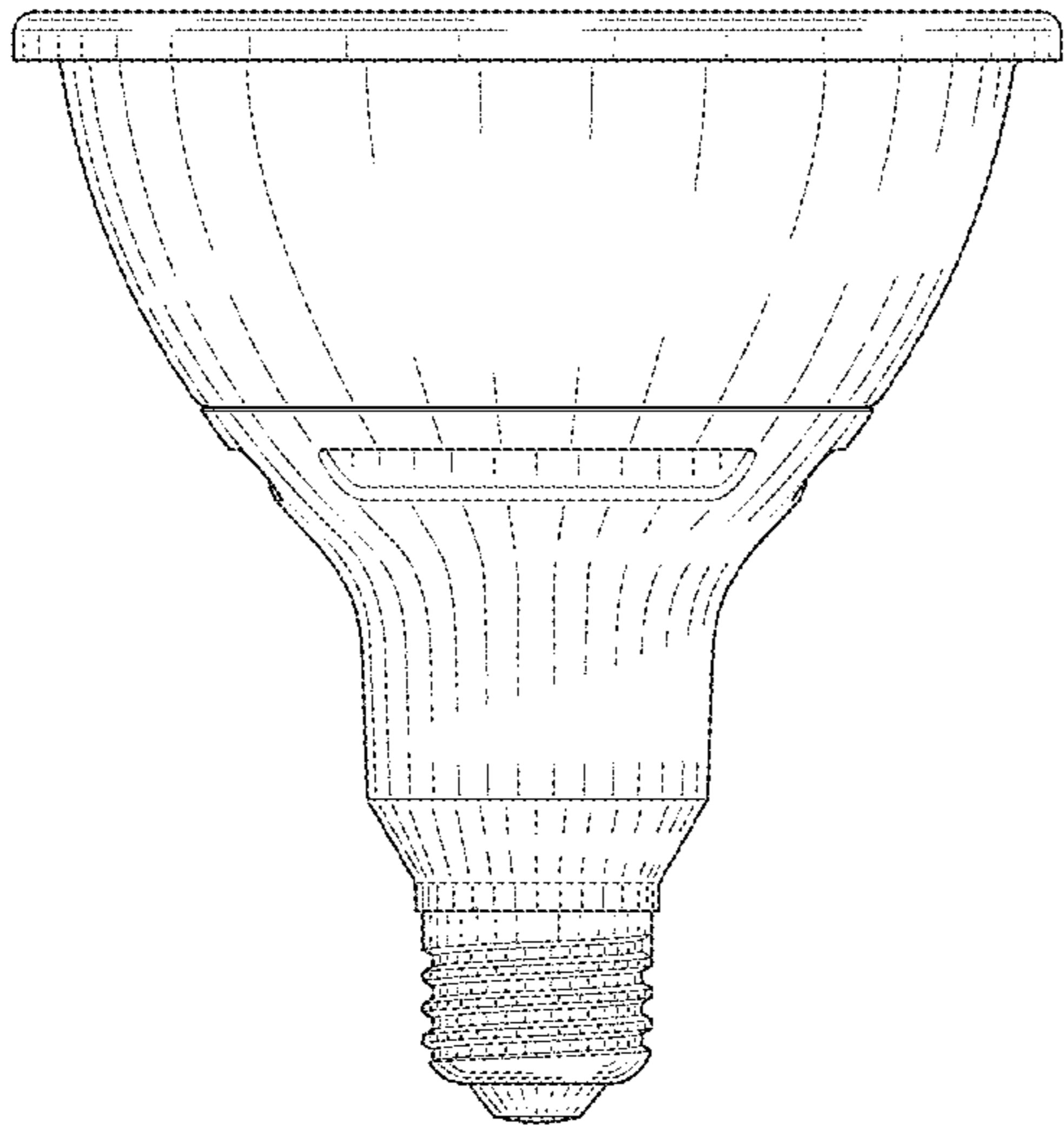


FIG. 2

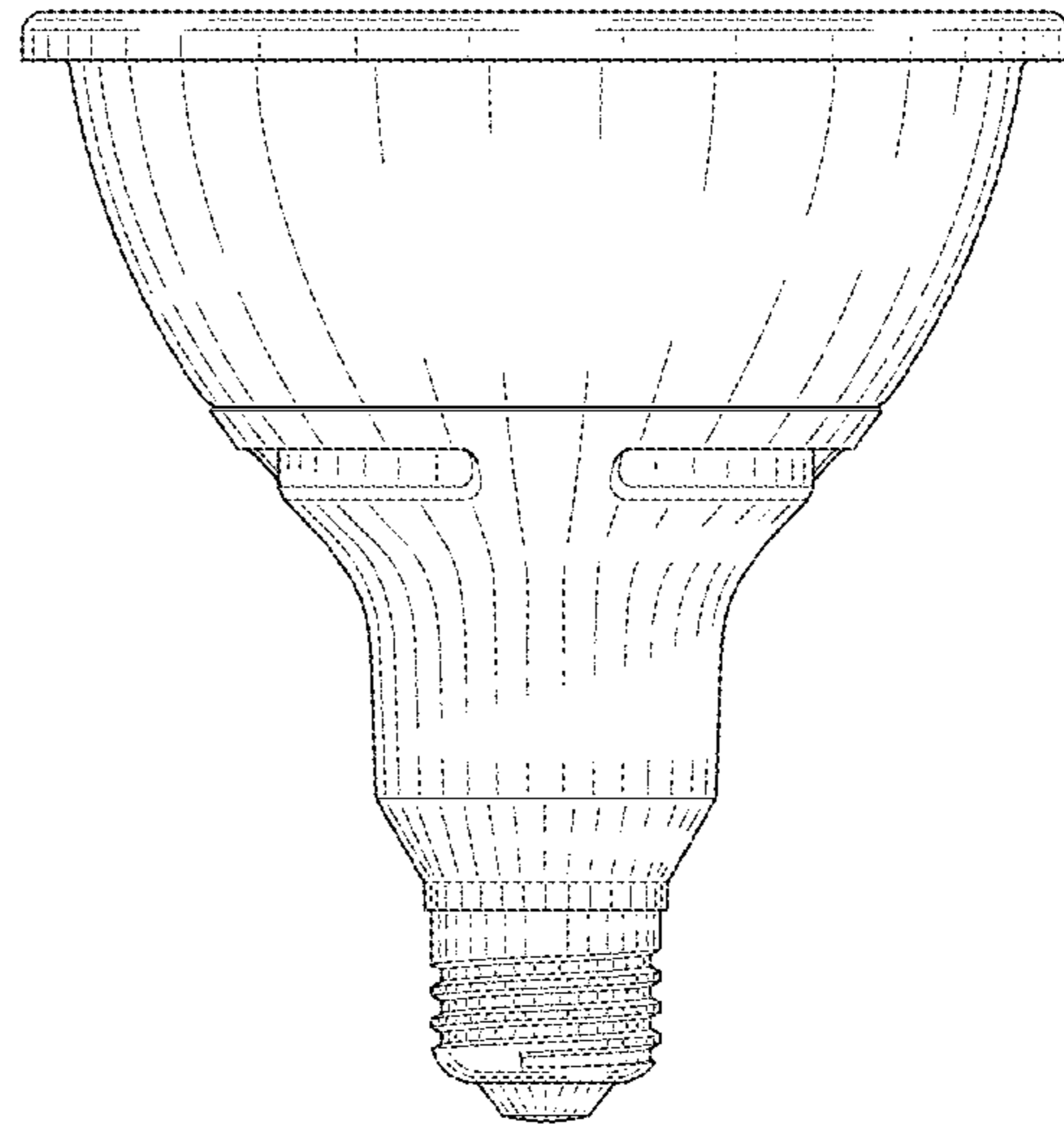


FIG. 3

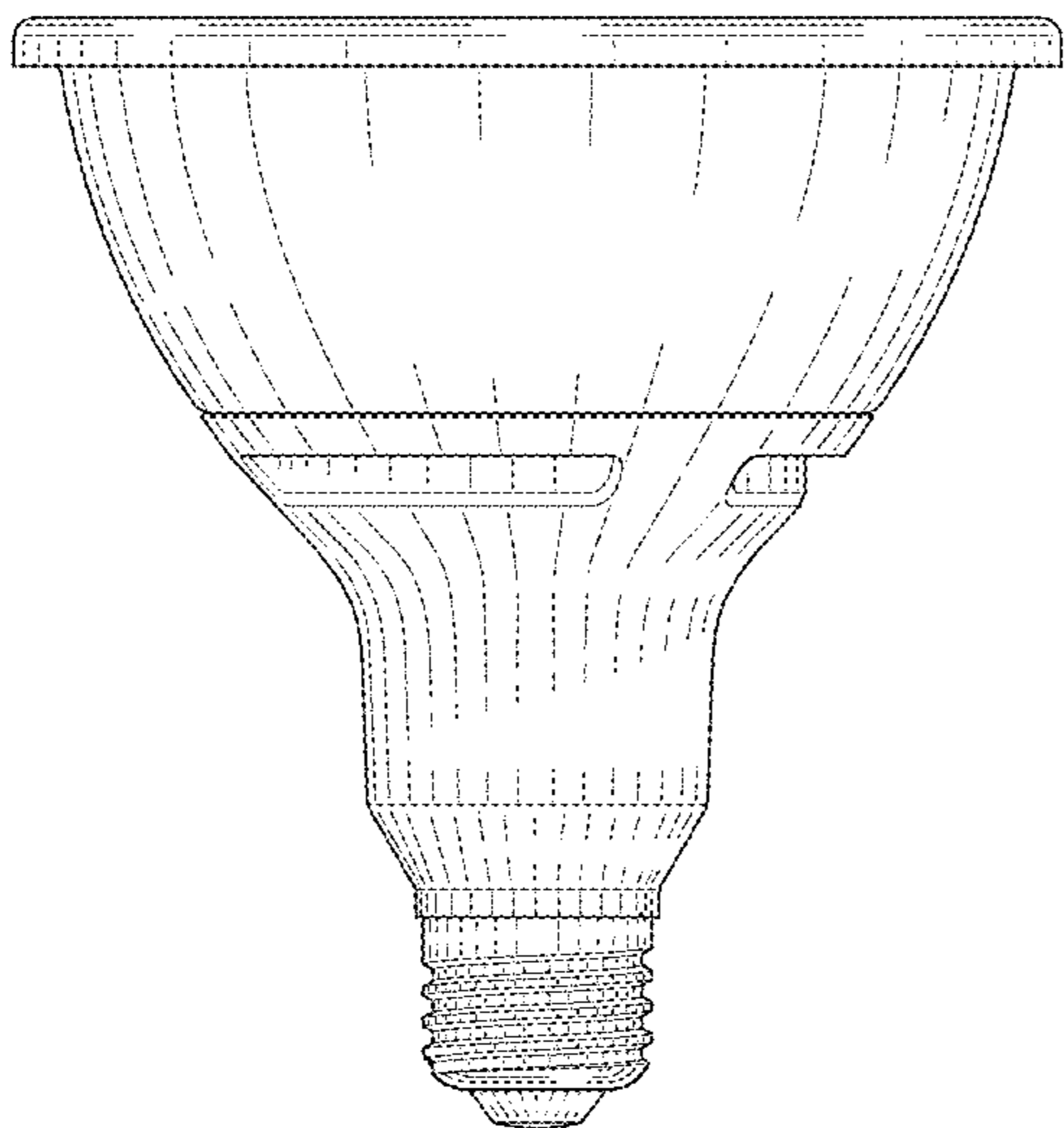


FIG. 4

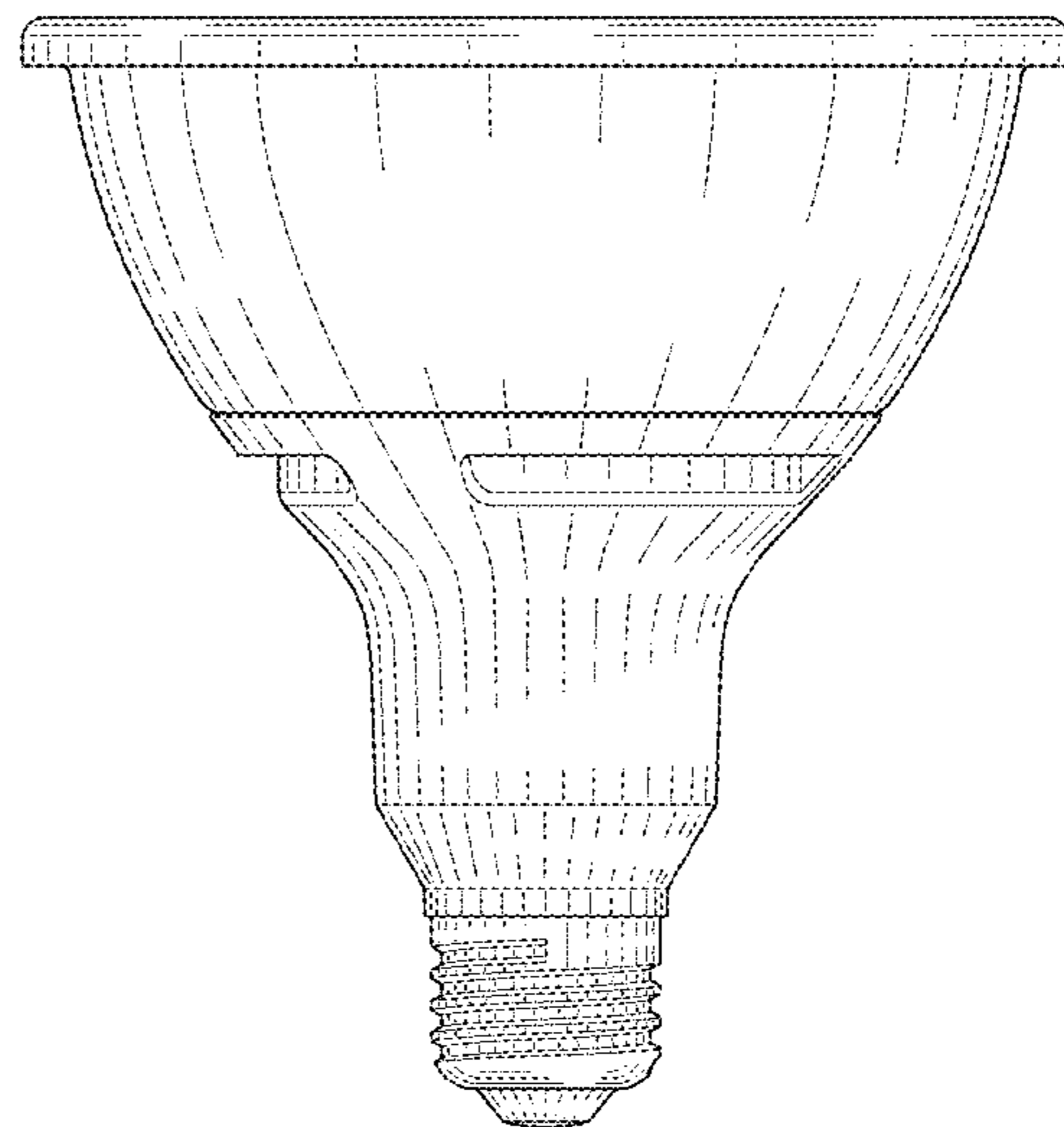


FIG. 5

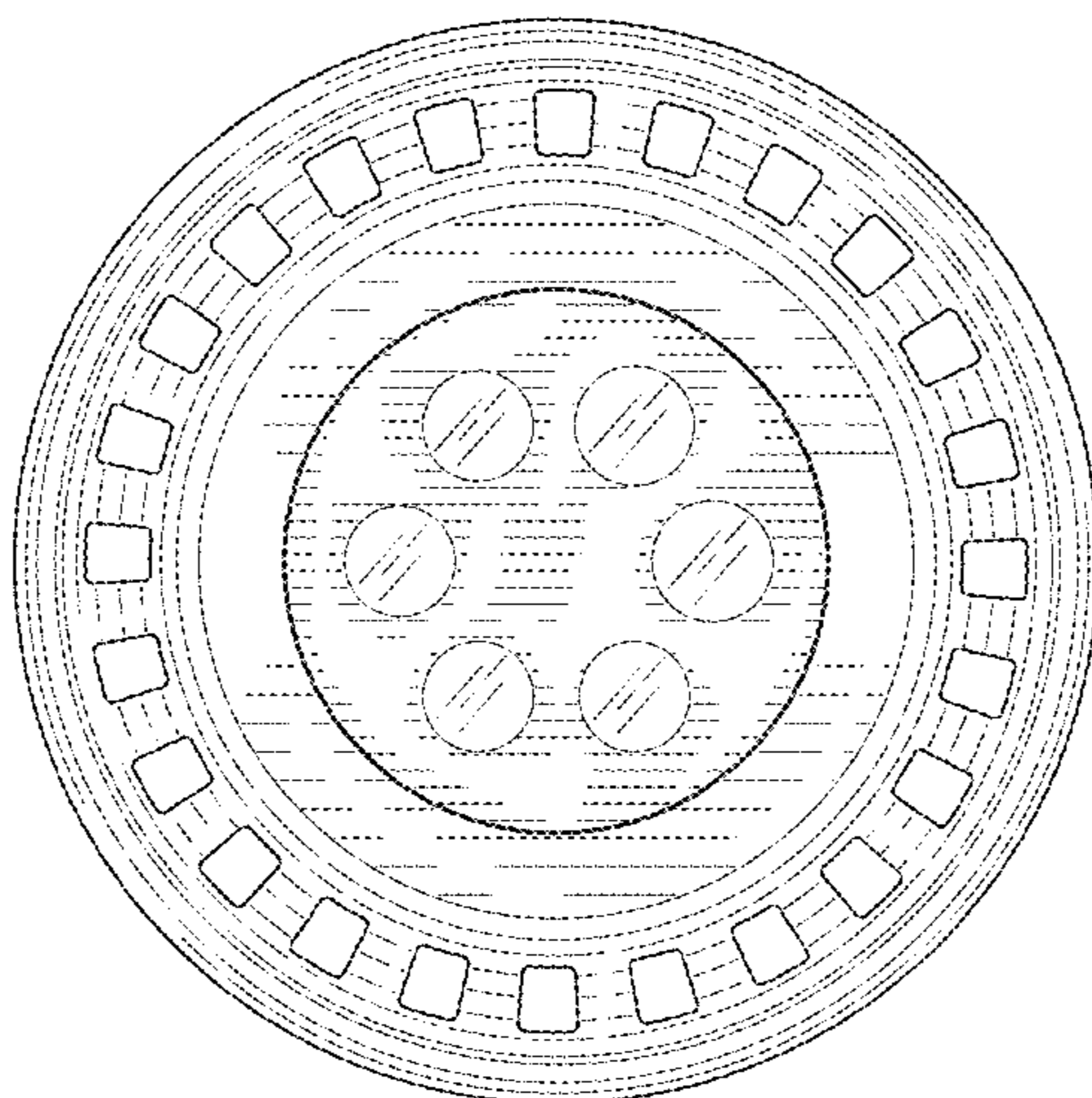


FIG. 6

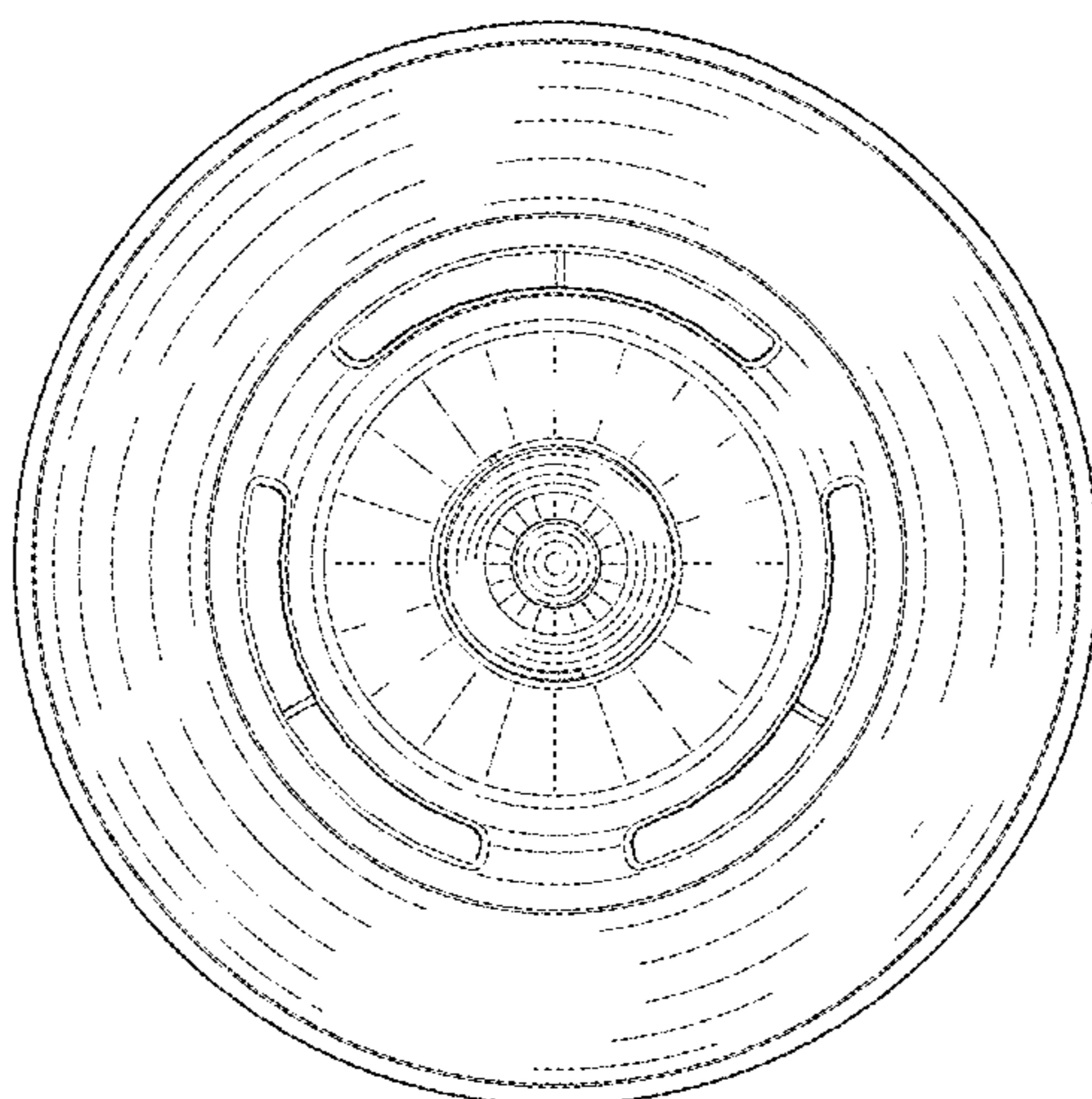


FIG. 7