



US00D698047S

(12) **United States Design Patent**  
**Sasaoka et al.**

(10) **Patent No.:** **US D698,047 S**  
(45) **Date of Patent:** **\*\* Jan. 21, 2014**

(54) **LIGHT EMITTING DIODE**

(56) **References Cited**

(75) Inventors: **Shimpei Sasaoka**, Anan (JP); **Hironobu Takahashi**, Anan (JP)

U.S. PATENT DOCUMENTS

(73) Assignee: **Nichia Corporation** (JP)

|              |         |            |       |         |
|--------------|---------|------------|-------|---------|
| D494,550 S * | 8/2004  | Hoshiba    | ..... | D13/180 |
| D495,304 S * | 8/2004  | Kim et al. | ..... | D13/180 |
| D578,084 S * | 10/2008 | Kobayakawa | ..... | D13/180 |
| D578,969 S * | 10/2008 | Kobayakawa | ..... | D13/180 |
| D595,244 S * | 6/2009  | In et al.  | ..... | D13/180 |
| D632,658 S * | 2/2011  | Lin        | ..... | D13/180 |
| D640,993 S   | 7/2011  | Lin        |       |         |

(\*\*) Term: **14 Years**

(21) Appl. No.: **29/424,444**

FOREIGN PATENT DOCUMENTS

(22) Filed: **Jun. 12, 2012**

|    |               |        |
|----|---------------|--------|
| DE | 402008002583  | 7/2008 |
| EM | 001194260-001 | 3/2010 |

**Related U.S. Application Data**

(62) Division of application No. 29/361,546, filed on May 12, 2010, now Pat. No. Des. 664,103.

\* cited by examiner

*Primary Examiner* — Marcus Jackson

(30) **Foreign Application Priority Data**

|               |      |       |             |
|---------------|------|-------|-------------|
| Nov. 13, 2009 | (JP) | ..... | 2009-026638 |
| Nov. 13, 2009 | (JP) | ..... | 2009-026639 |
| Nov. 13, 2009 | (JP) | ..... | 2009-026640 |
| May 7, 2010   | (JP) | ..... | 2010-011138 |
| May 7, 2010   | (JP) | ..... | 2010-011139 |

(74) *Attorney, Agent, or Firm* — SAIDMAN DesignLaw Group

(51) **LOC (10) Cl.** ..... **26-04**

(57) **CLAIM**

The ornamental design for a light emitting diode, as shown and described.

(52) **U.S. Cl.**

USPC ..... **D26/1; D13/180**

**DESCRIPTION**

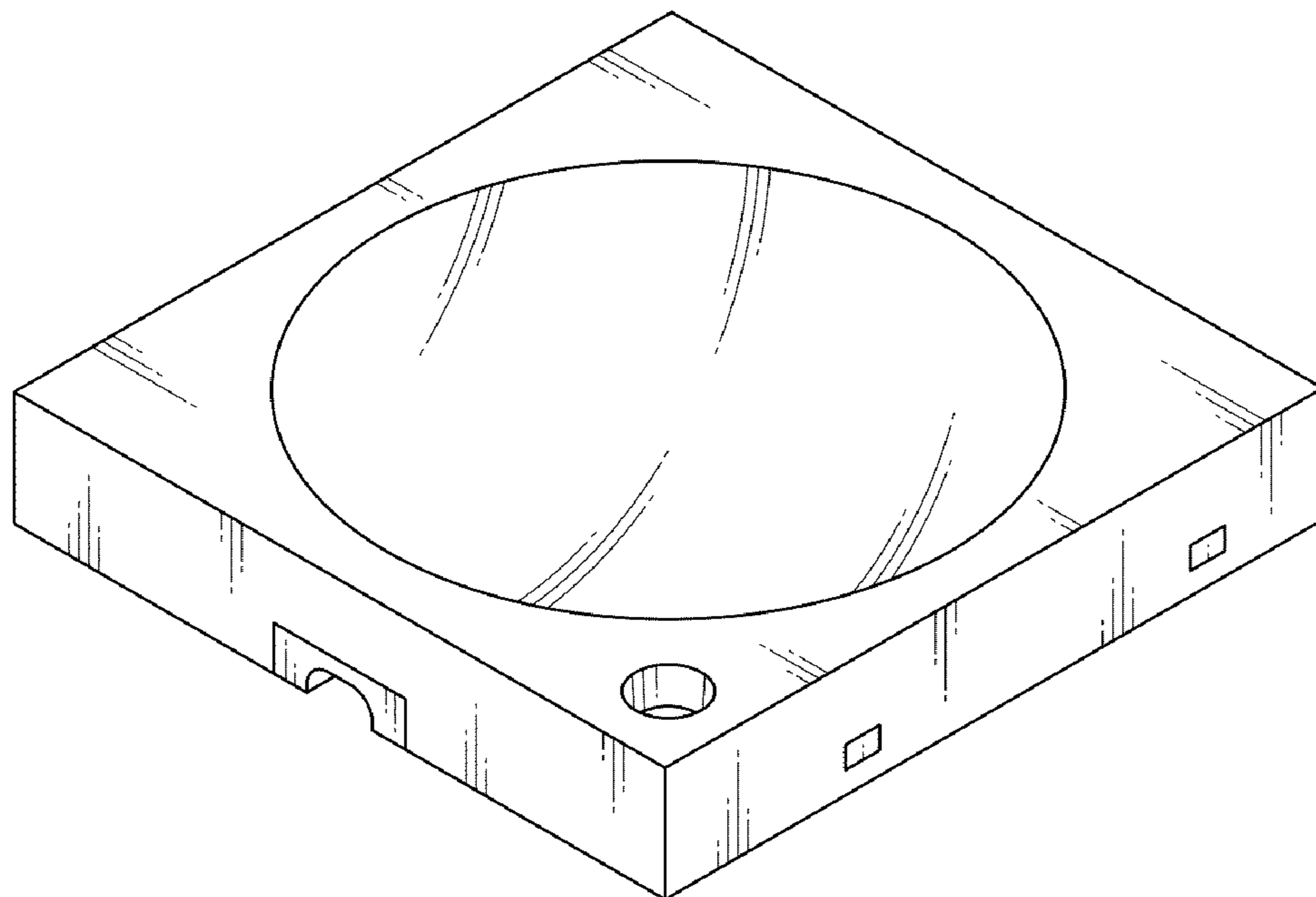
(58) **Field of Classification Search**

USPC ..... D26/1; D13/180; 257/79–81, 88–89, 257/98–100; 313/483, 498–500; 362/800

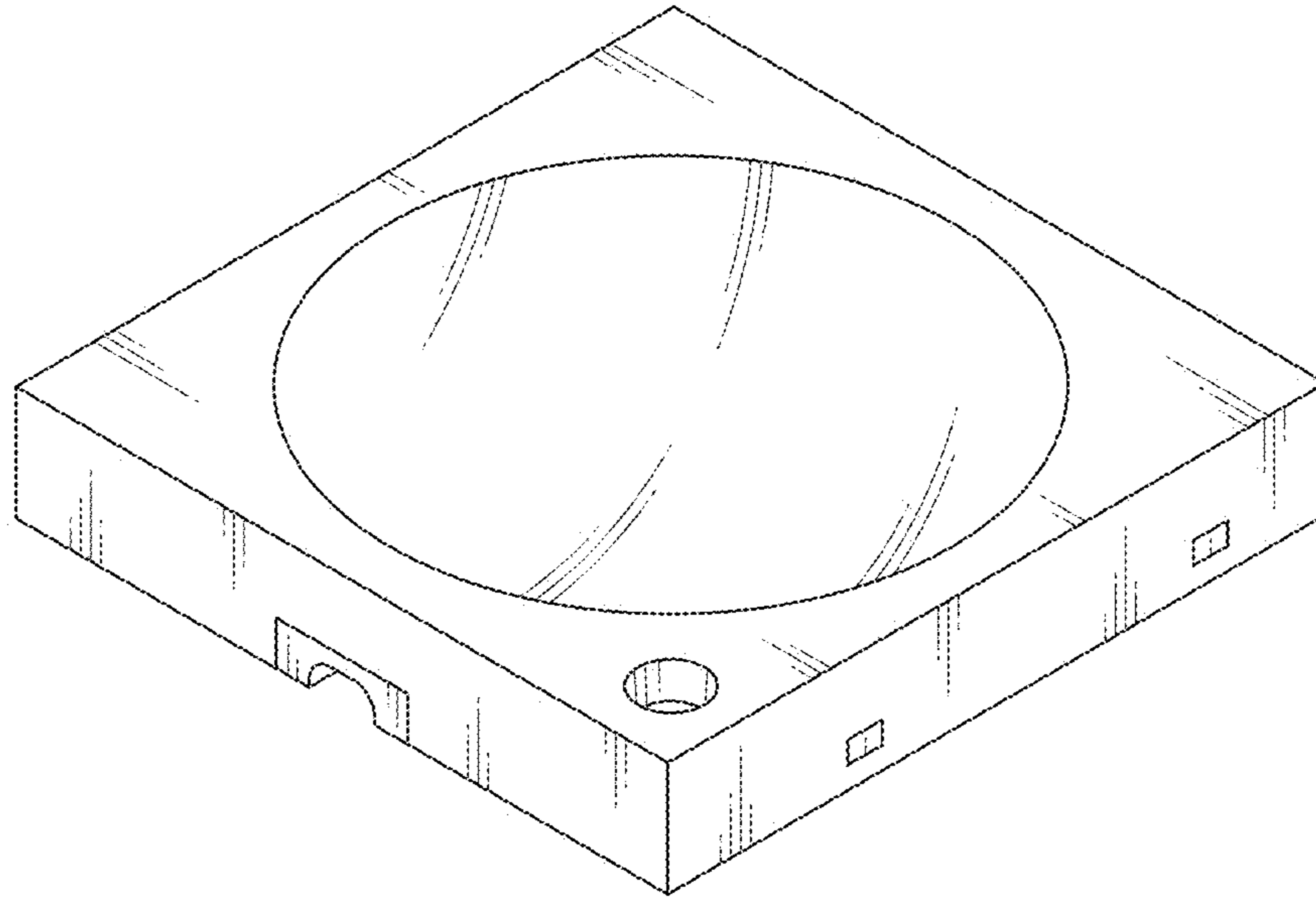
FIG. 1 is a front, bottom, left side perspective view of a first embodiment of a light emitting diode showing our new design;  
FIG. 2 is a rear, top, right side perspective view thereof;  
FIG. 3 is a front elevational view thereof;  
FIG. 4 is a rear elevational view thereof;  
FIG. 5 is a top plan view thereof;  
FIG. 6 is a bottom plan view thereof;  
FIG. 7 is a left side elevational view thereof; and,  
FIG. 8 is a right side elevational view thereof.  
The curved diagonal shading indicates translucency.

See application file for complete search history.

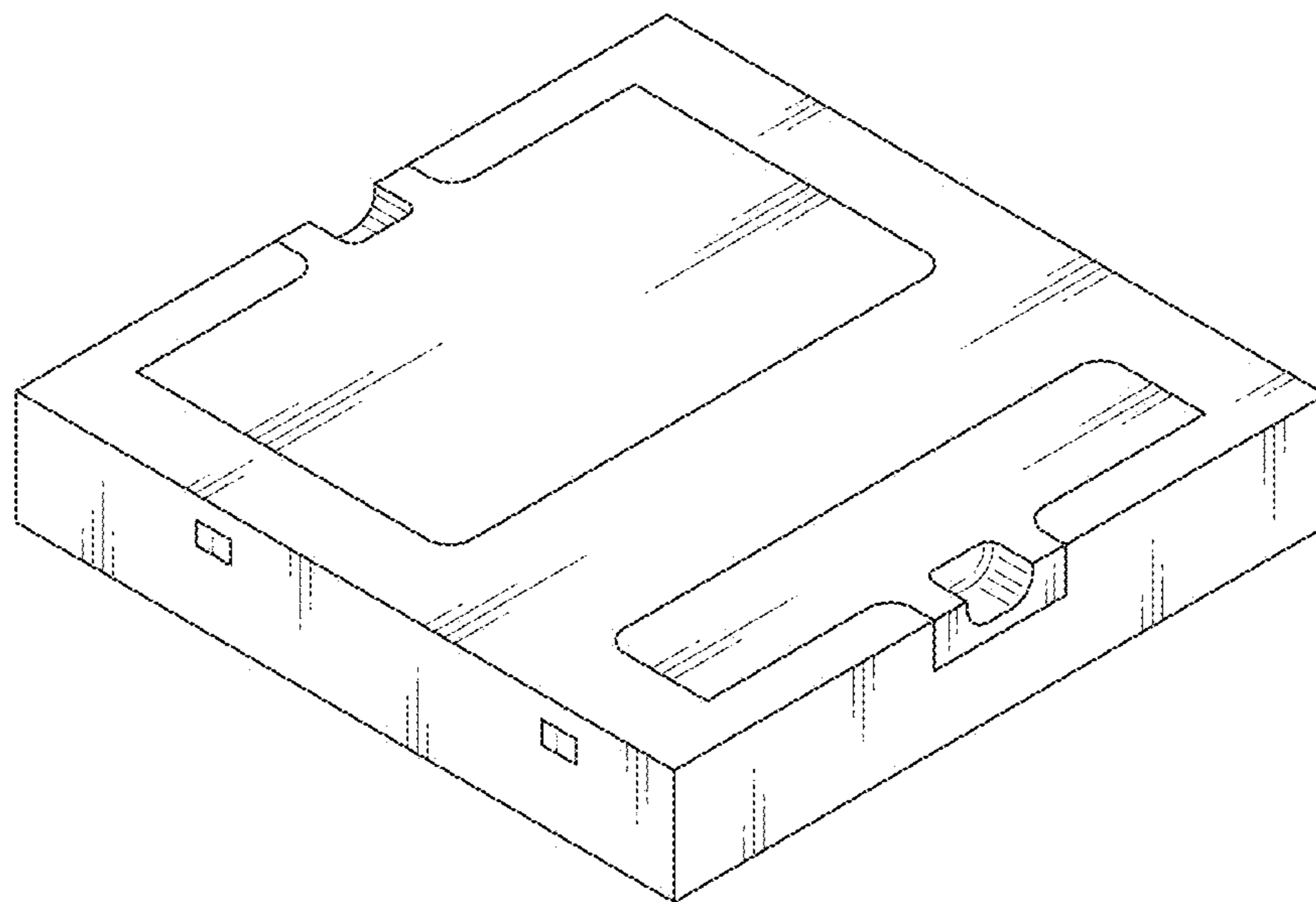
**1 Claim, 3 Drawing Sheets**



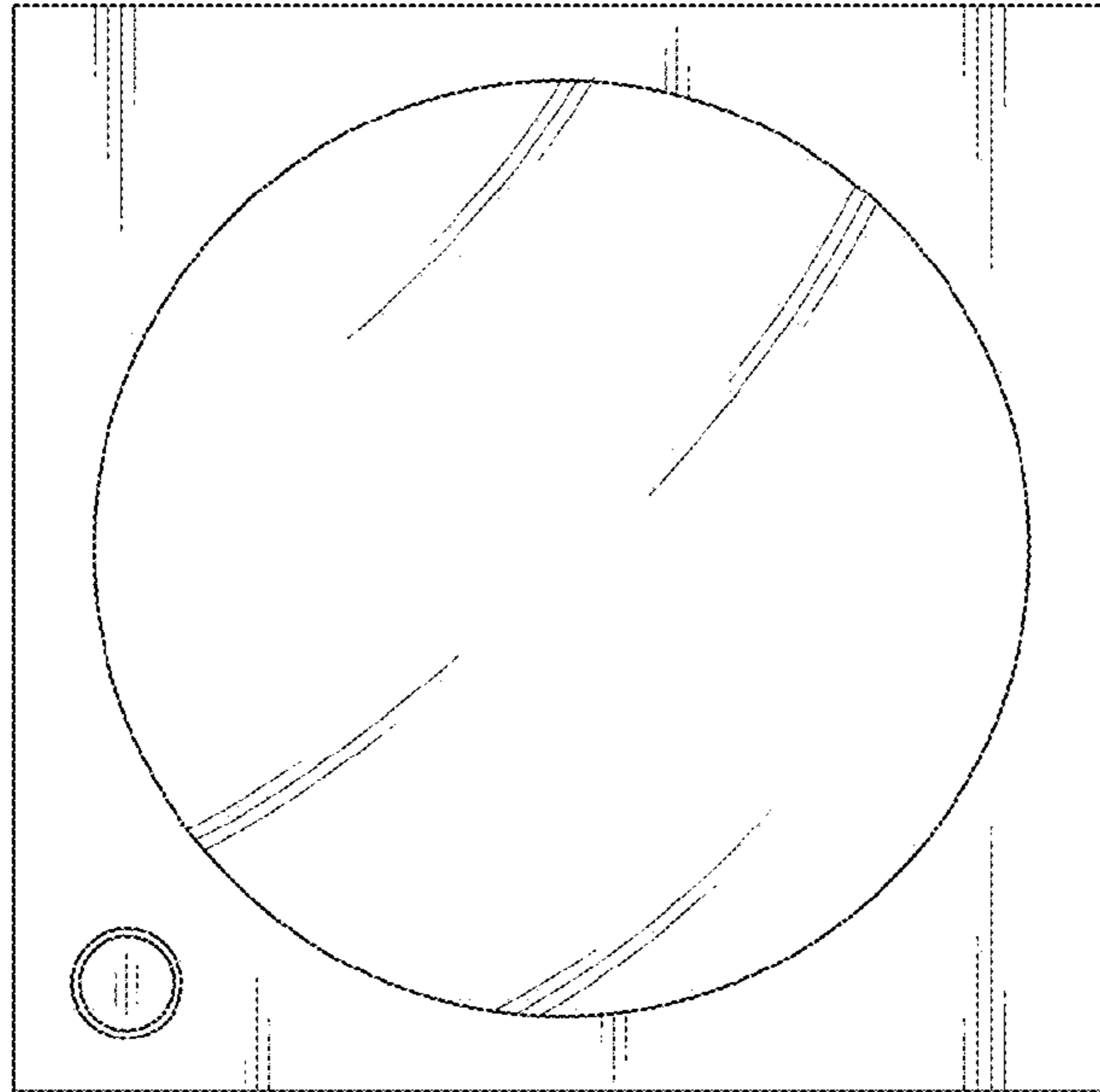
**Fig.1**



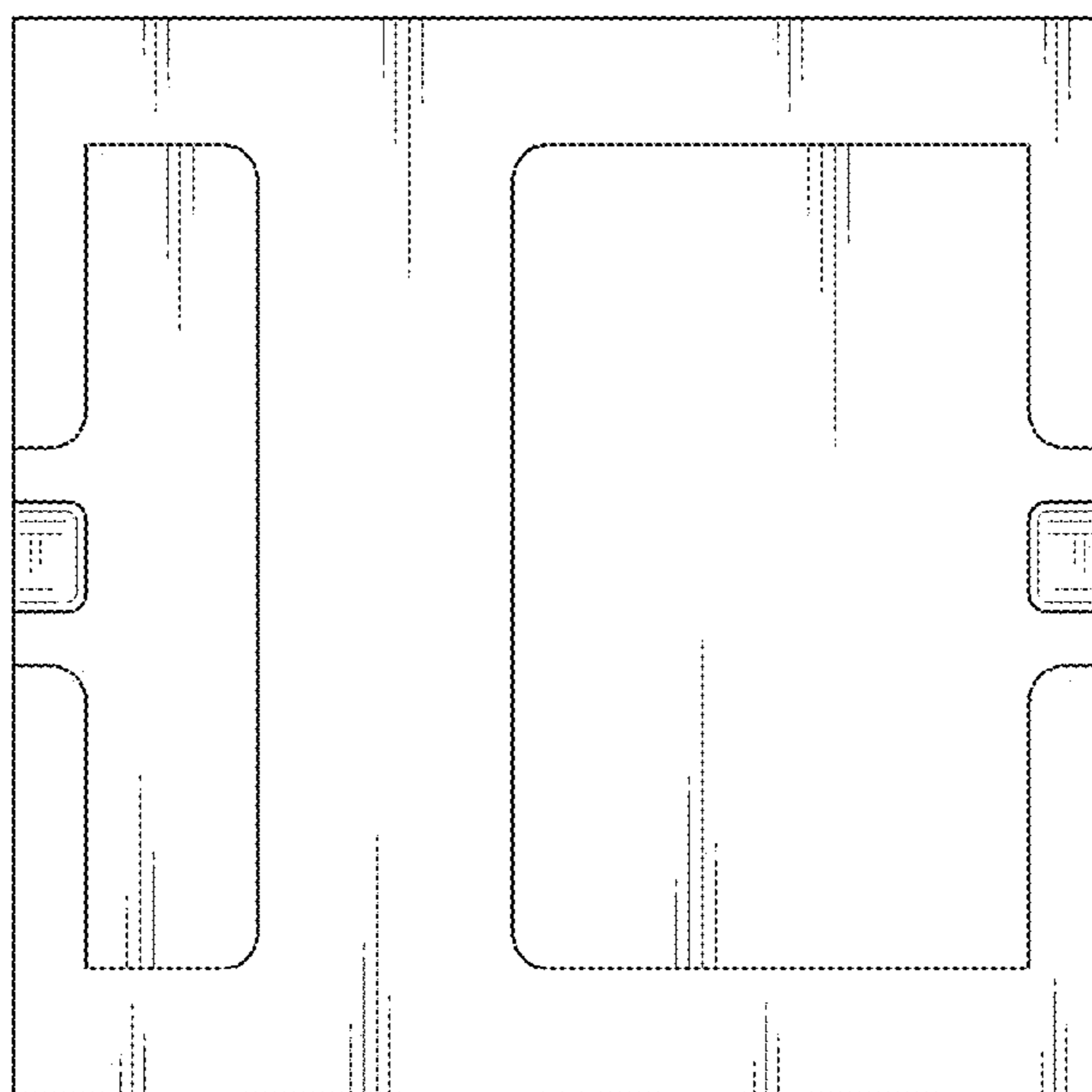
**Fig.2**



**Fig.3**



**Fig.4**



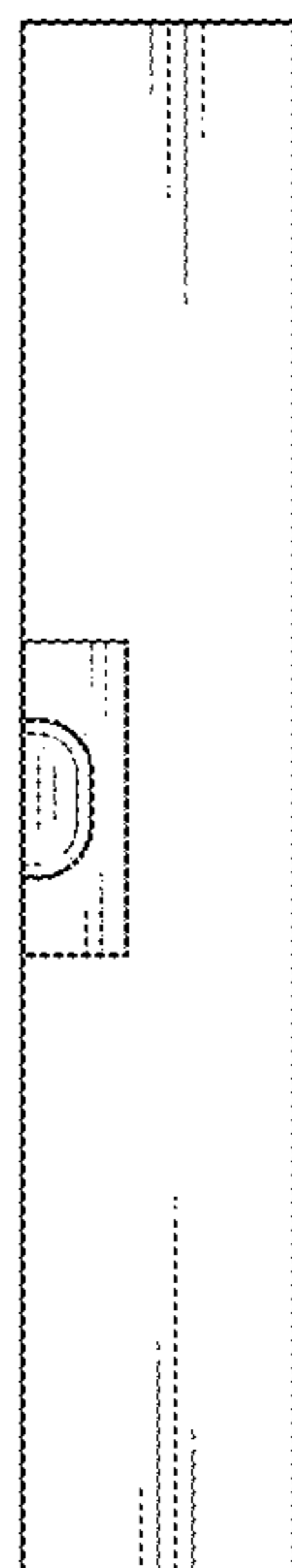
*Fig.5*



*Fig.6*



*Fig.7*



*Fig.8*

