



US00D698043S

(12) **United States Design Patent**
Fries et al.

(10) **Patent No.:** **US D698,043 S**
(45) **Date of Patent:** **** Jan. 21, 2014**

(54) **FENCE POST BRACE**

(76) Inventors: **Michael Fries**, Linneus, MO (US);
Jeffrey Fries, Linneus, MO (US)

(**) Term: **14 Years**

(21) Appl. No.: **29/395,911**

(22) Filed: **Apr. 20, 2012**

(51) **LOC (10) Cl.** **25-01**

(52) **U.S. Cl.**
USPC **D25/133**

(58) **Field of Classification Search**
USPC D25/133; 52/155, 146; 256/35, 34,
256/65.01; 248/508, 510; 404/6, 59
See application file for complete search history.

(56) **References Cited**

U.S. PATENT DOCUMENTS

5,391,016 A * 2/1995 Ivey et al. 404/6

5,791,634 A * 8/1998 Brown 256/59
6,637,971 B1 * 10/2003 Carney et al. 404/6
6,733,204 B1 * 5/2004 Paniccia 404/6

* cited by examiner

Primary Examiner — Doris Clark

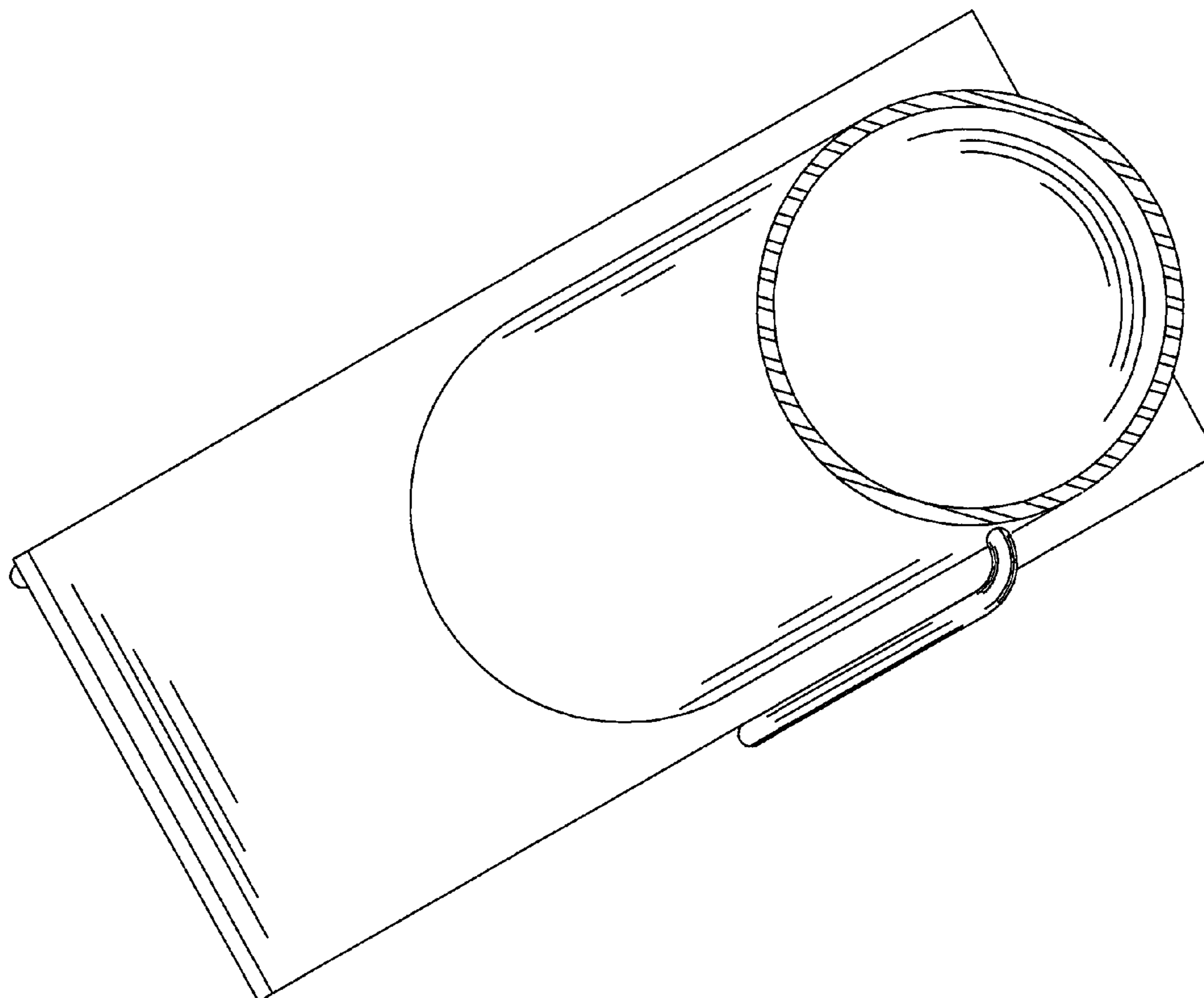
(57) **CLAIM**

We claim the ornamental design for a fence post brace, as shown and described.

DESCRIPTION

FIG. 1 is a top perspective view of a fence post brace.
FIG. 2 is a side elevation view thereof showing environmental structure; and,
FIG. 3 is an enlarged view of the fence post brace.
Broken lines are included for the purpose of illustrating portions of the combination fence brace article and/or environmental structure that form no part of the claimed design.

1 Claim, 3 Drawing Sheets



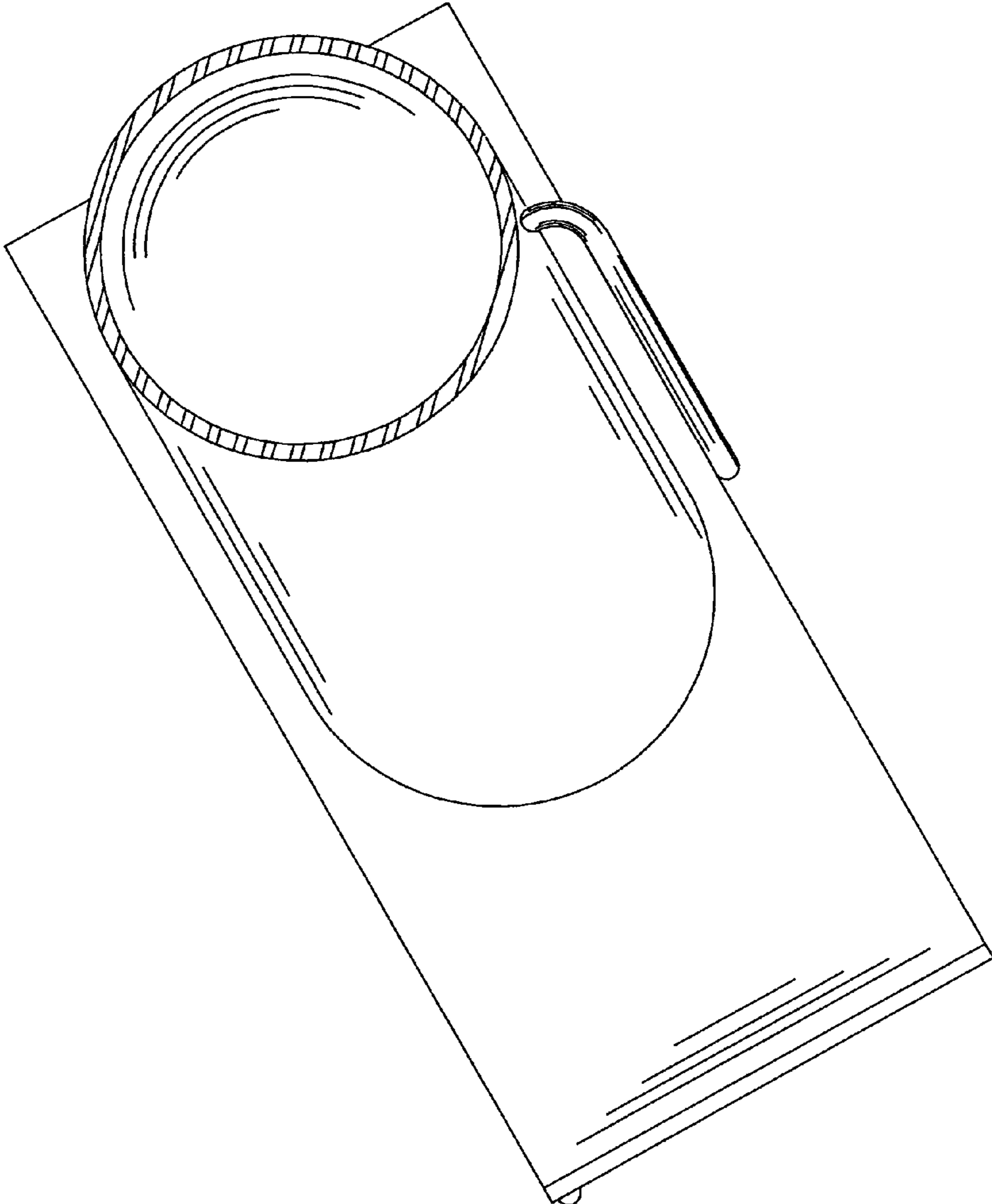


FIGURE 1

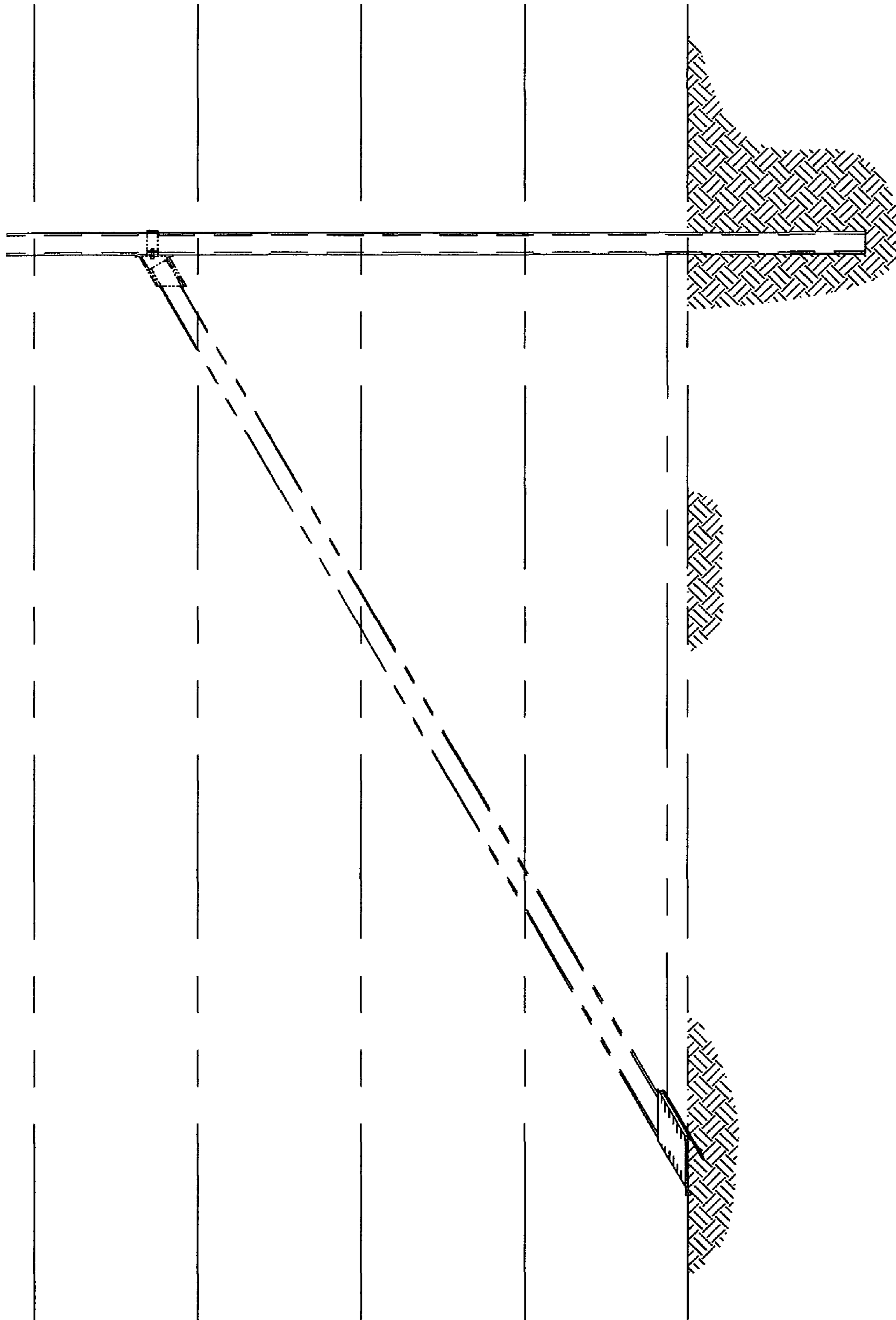


FIGURE 2

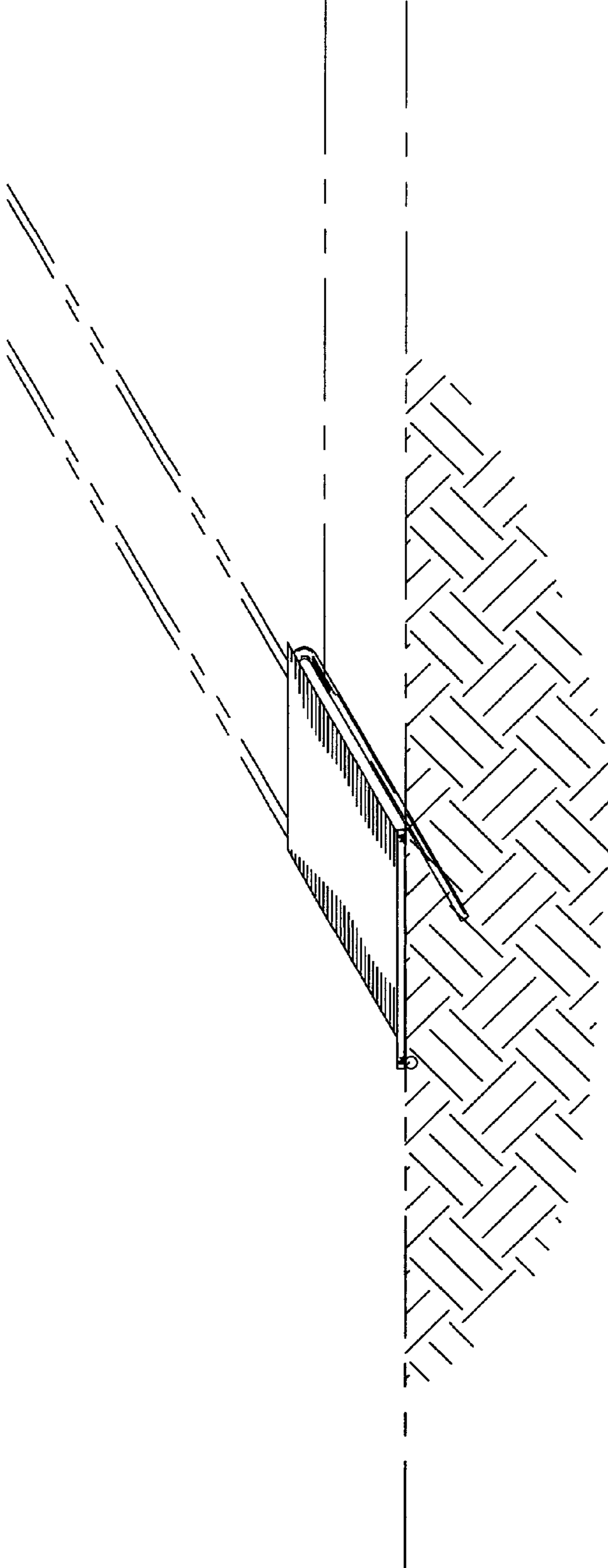


FIGURE 3