



US00D698038S

(12) **United States Design Patent**
Davis et al.

(10) **Patent No.:** **US D698,038 S**
(45) **Date of Patent:** **** Jan. 21, 2014**

(54) **PLATE LOADER**

(75) Inventors: **Glen Warren Davis**, Junction City, OR (US); **Wesley Glen Smith**, Junction City, OR (US); **John Dominic Jackson**, Pendleton, NY (US)

(73) Assignee: **Life Technologies Corporation**, Carlsbad, CA (US)

(**) Term: **14 Years**

(21) Appl. No.: **29/386,708**

(22) Filed: **Mar. 3, 2011**

(51) **LOC (10) Cl.** **24-00**

(52) **U.S. Cl.**
USPC **D24/234**

(58) **Field of Classification Search**
USPC D24/234, 131, 163, 185, 202, 203, 204, D24/227
See application file for complete search history.

(56) **References Cited**

U.S. PATENT DOCUMENTS

D319,102 S *	8/1991	Futatsuka et al.	D24/163
D387,164 S *	12/1997	Barnett et al.	D24/163
D456,523 S *	4/2002	Waluszko et al.	D24/216
7,340,957 B2	3/2008	Kaduchak et al.		
D634,442 S *	3/2011	Tajima et al.	D24/232
D662,209 S *	6/2012	Swanek	D24/185
D663,429 S *	7/2012	Swanek	D24/185
D668,833 S *	10/2012	De Togni	D99/5
2008/0245709 A1	10/2008	Kaduchak et al.		
2008/0245745 A1	10/2008	Ward et al.		
2009/0029870 A1	1/2009	Ward et al.		
2009/0042239 A1	2/2009	Ward et al.		
2009/0042310 A1	2/2009	Ward et al.		

2009/0045107 A1	2/2009	Ward et al.
2009/0048805 A1	2/2009	Kaduchak et al.
2009/0050573 A1	2/2009	Ward et al.
2009/0053686 A1	2/2009	Ward et al.

(Continued)

FOREIGN PATENT DOCUMENTS

JP	03183958	9/1991
WO	WO91/16675	10/1991

(Continued)

OTHER PUBLICATIONS

<http://www.basic.northwestern.edu/sharedresources/flowcytometry/instr.html>.*

(Continued)

Primary Examiner — Robert M Spear
Assistant Examiner — Rhea Shields

(57) **CLAIM**

The ornamental design for a plate loader, as shown and described.

DESCRIPTION

FIG. 1 is a top perspective view of the plate loader according to our new design with a front panel open for access to a plate loading compartment of the plate loader.

FIG. 2 is a front view of the plate loader of FIG. 2.

FIG. 3 is a rear view of the plate loader of FIG. 2.

FIG. 4 is a side view of the plate loader of FIG. 2.

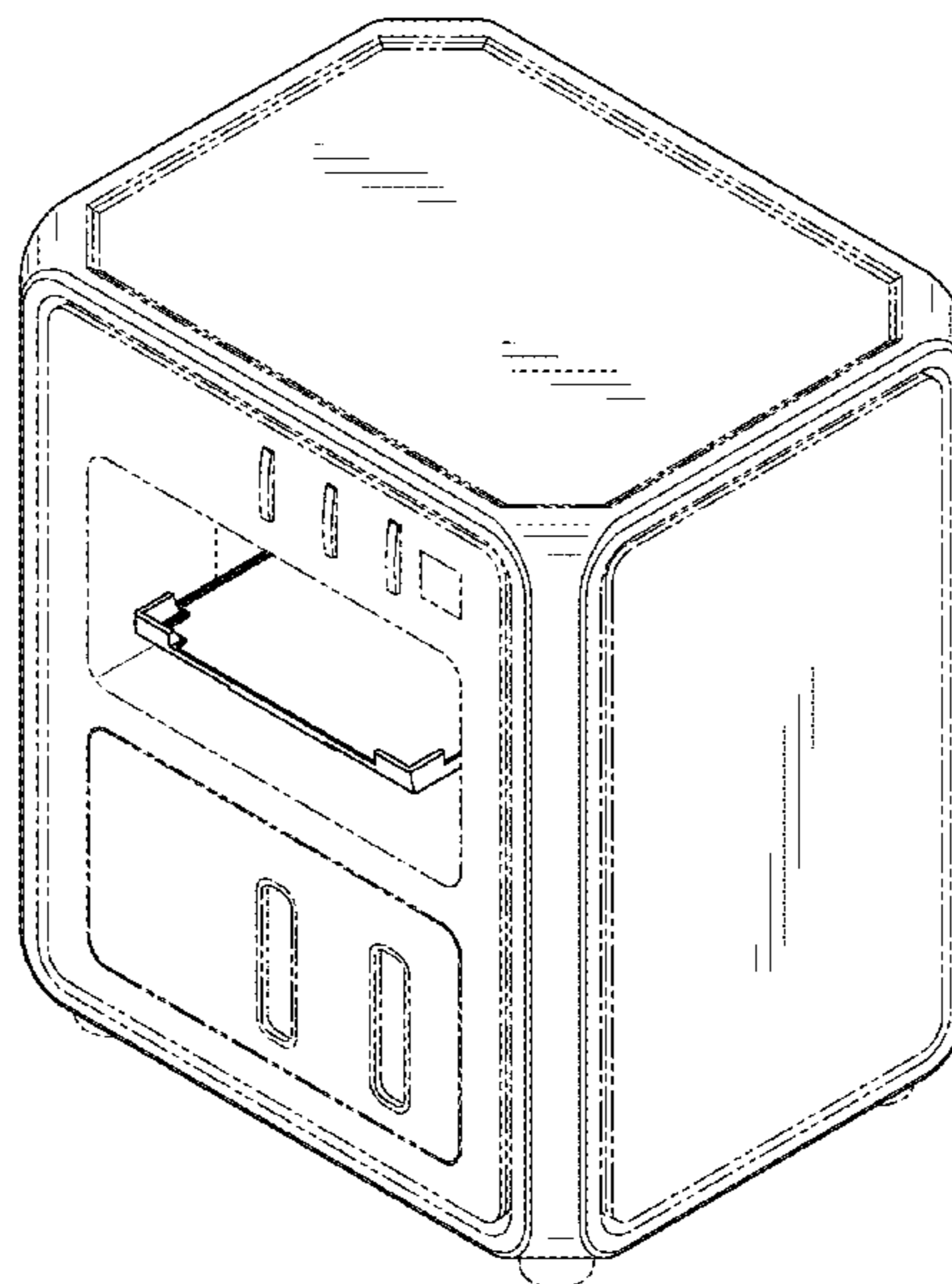
FIG. 5 is another side view of the plate loader of FIG. 2.

FIG. 6 is a top view of the plate loader of FIG. 2; and,

FIG. 7 is a bottom view of the plate loader of FIG. 2.

The broken lines in the figures illustrate unclaimed environment only and form no part of the claimed design.

1 Claim, 7 Drawing Sheets



(56)

References Cited

U.S. PATENT DOCUMENTS

2009/0158823 A1 6/2009 Kaduchak et al.
2009/0162887 A1 6/2009 Kaduchak et al.
2009/0178716 A1 7/2009 Kaduchak et al.
2011/0134426 A1 6/2011 Kaduchak et al.

FOREIGN PATENT DOCUMENTS

WO WO99/15875 4/1999
WO WO01/57490 8/2001

WO WO2008/034914 3/2008
WO WO2011/104986 9/2011
WO WO2012/119118 9/2012

OTHER PUBLICATIONS

<http://www.biocompare.com/12328-Flow-Cytometer-Flow-Cytometry-Systems/2760260-Cyan-ADP/>. *
<http://www.kolling.usyd.edu.au/core-facilities/flow-cytometry/index.php>. *
Flow Cytometer | BD LSR II & BD Fortessa Alternatives | Flow Cytometer Analyzers by . . . *

* cited by examiner

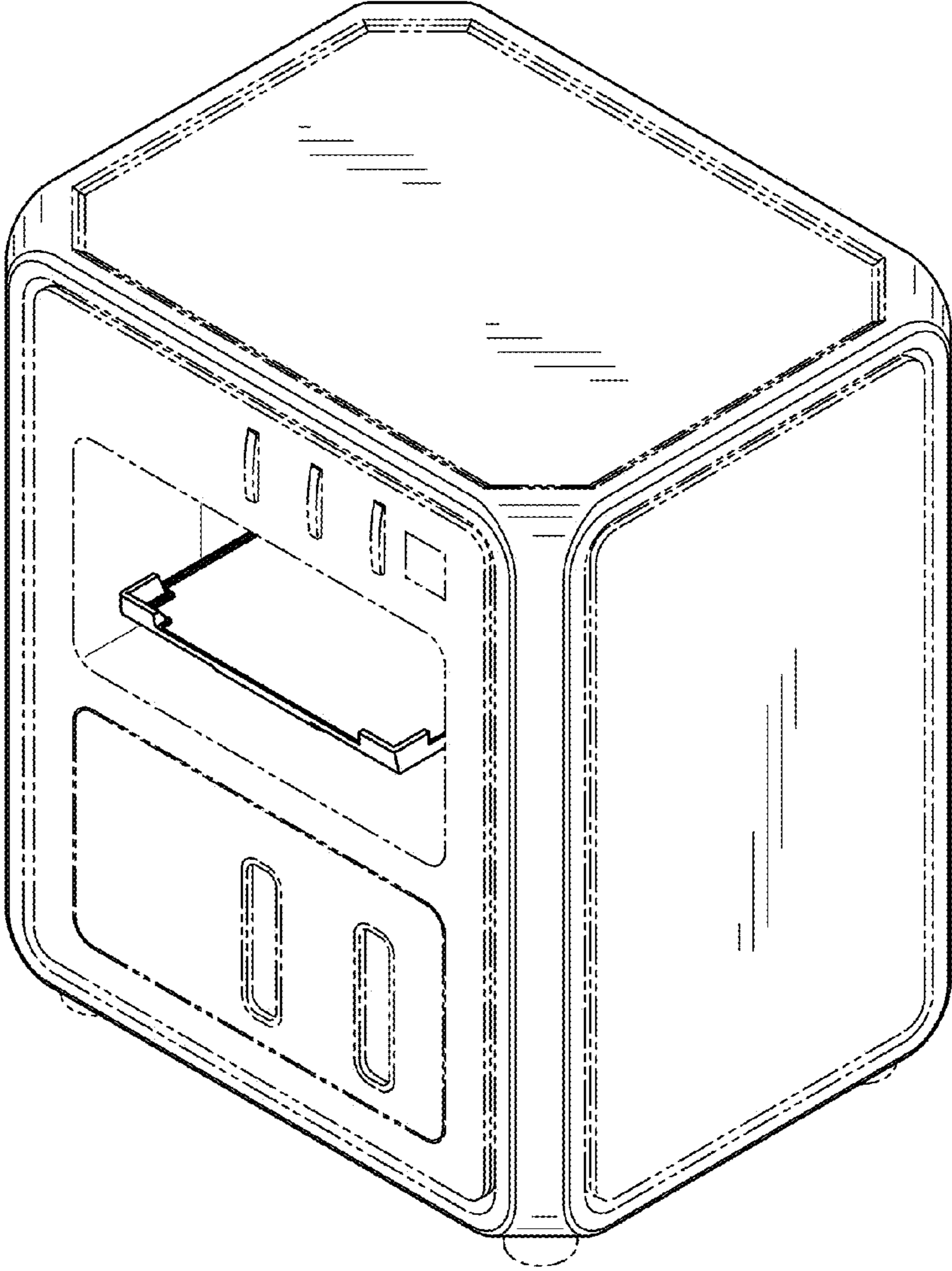


FIG. 1

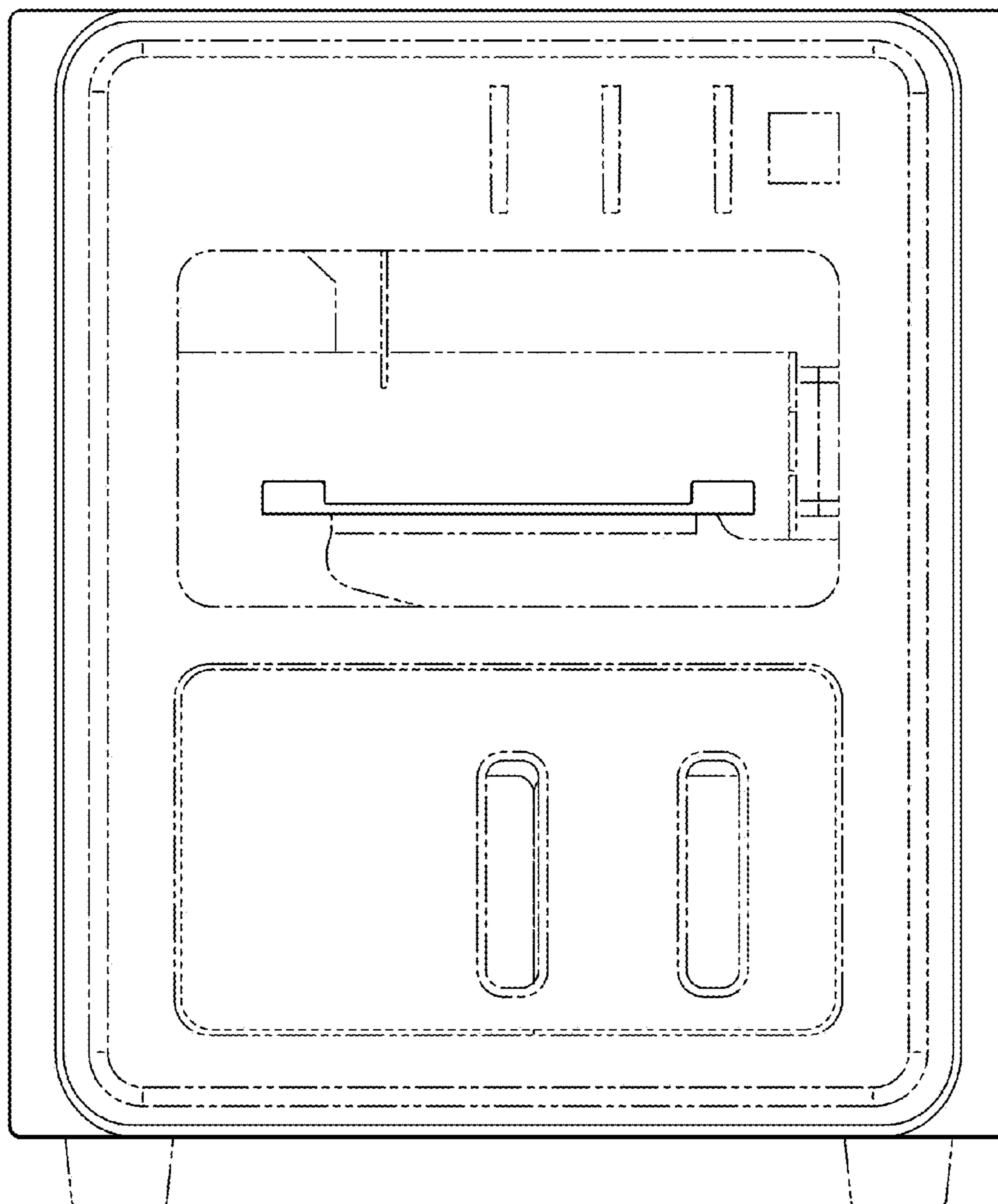


FIG. 2

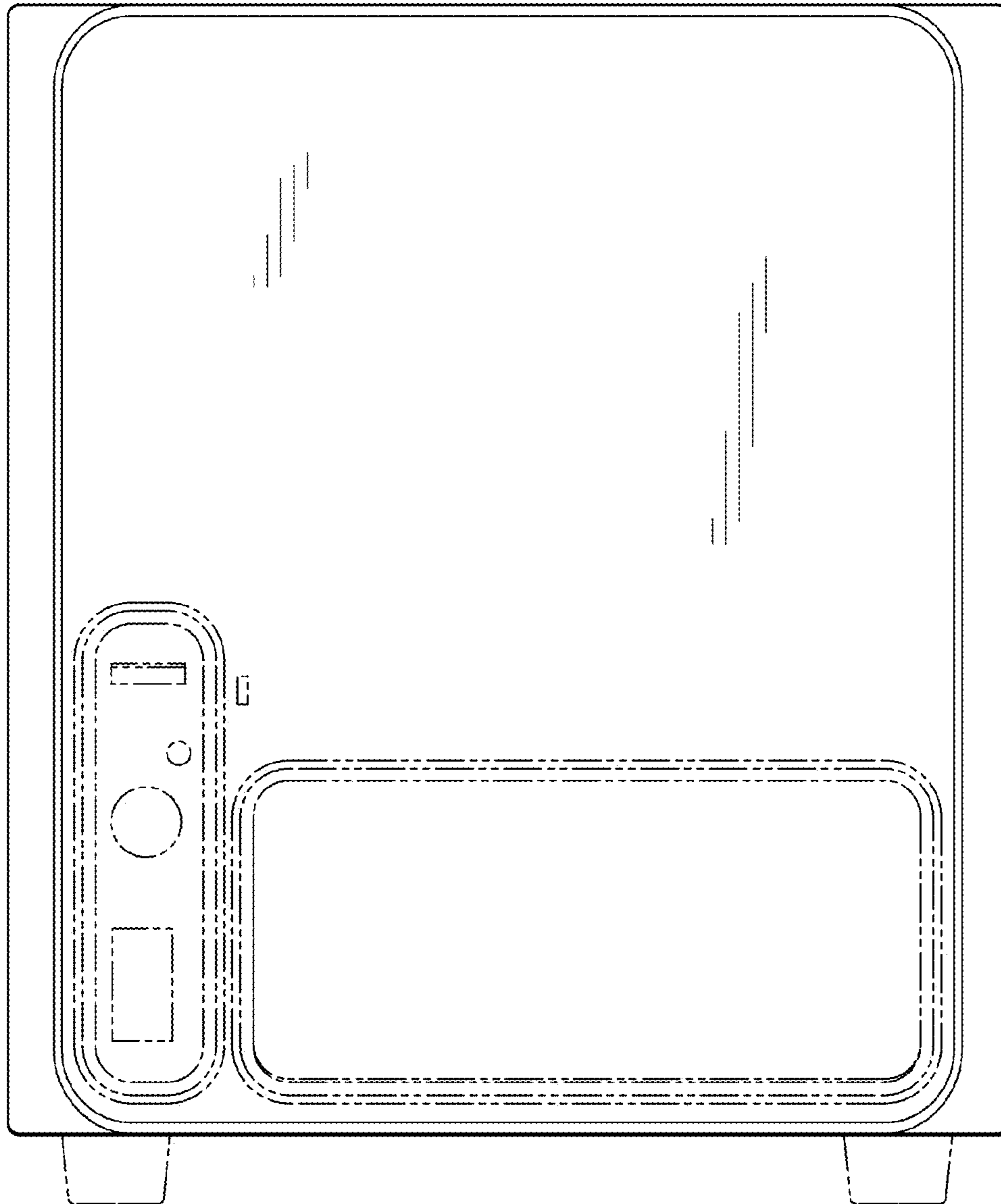


FIG. 3

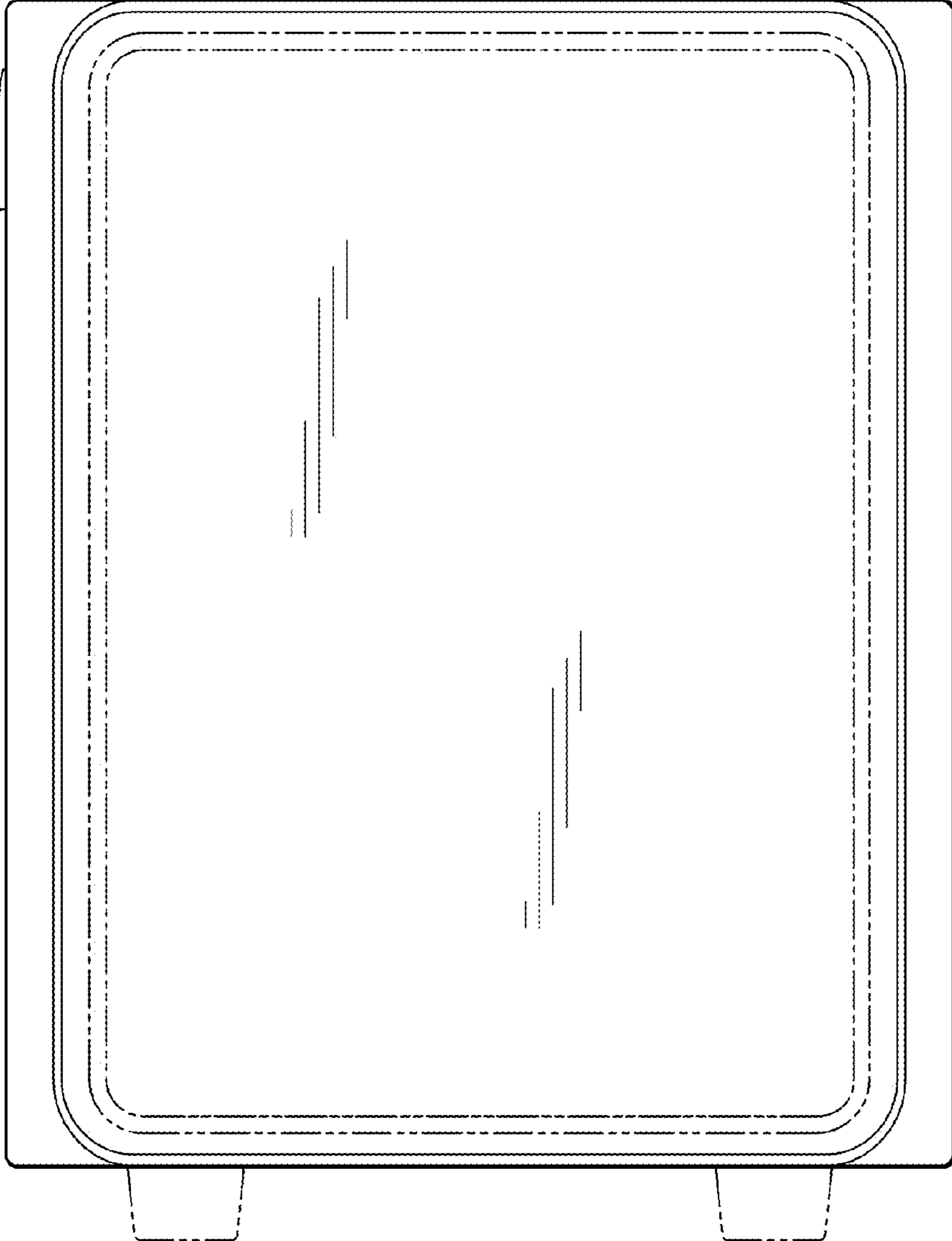


FIG. 4

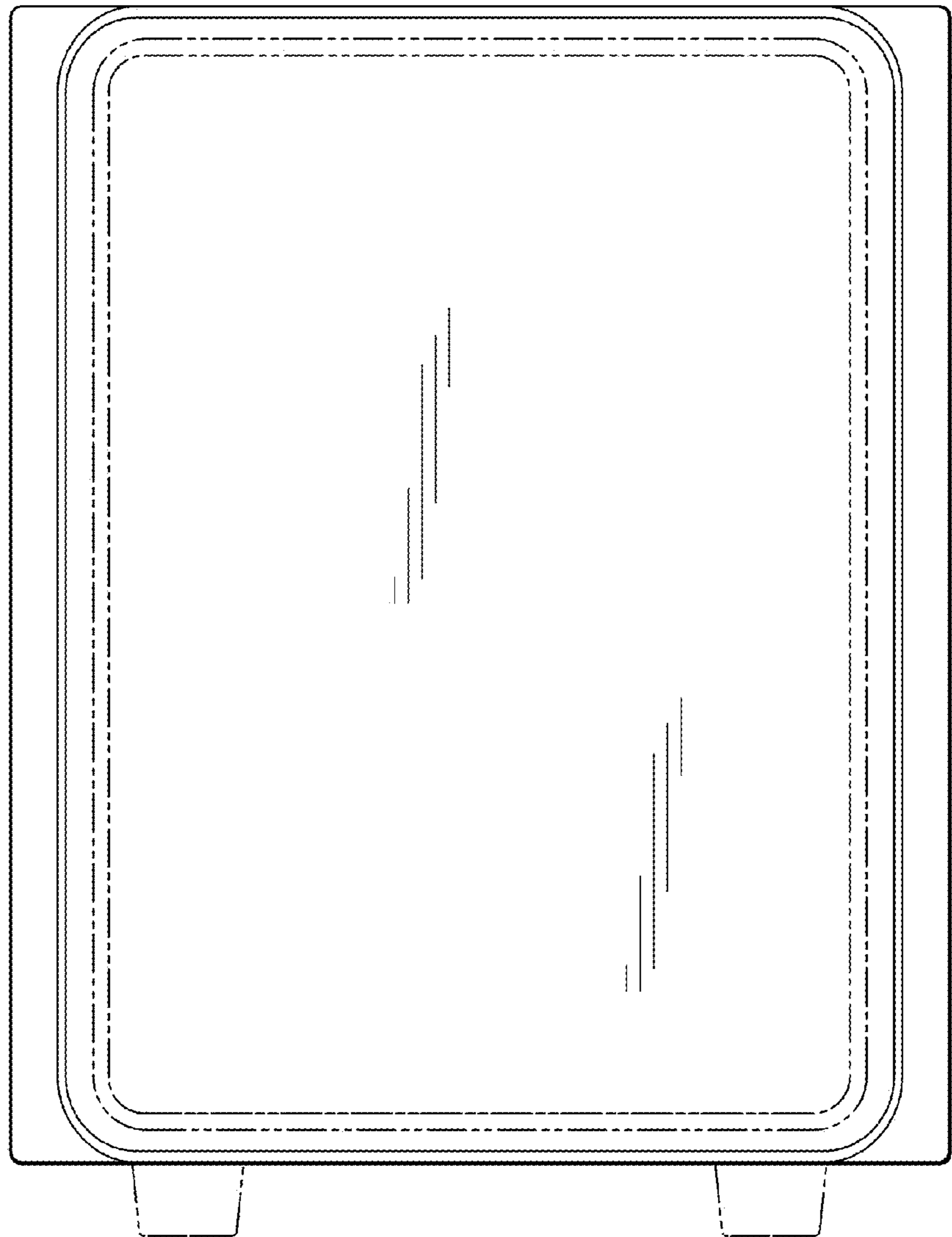


FIG. 5

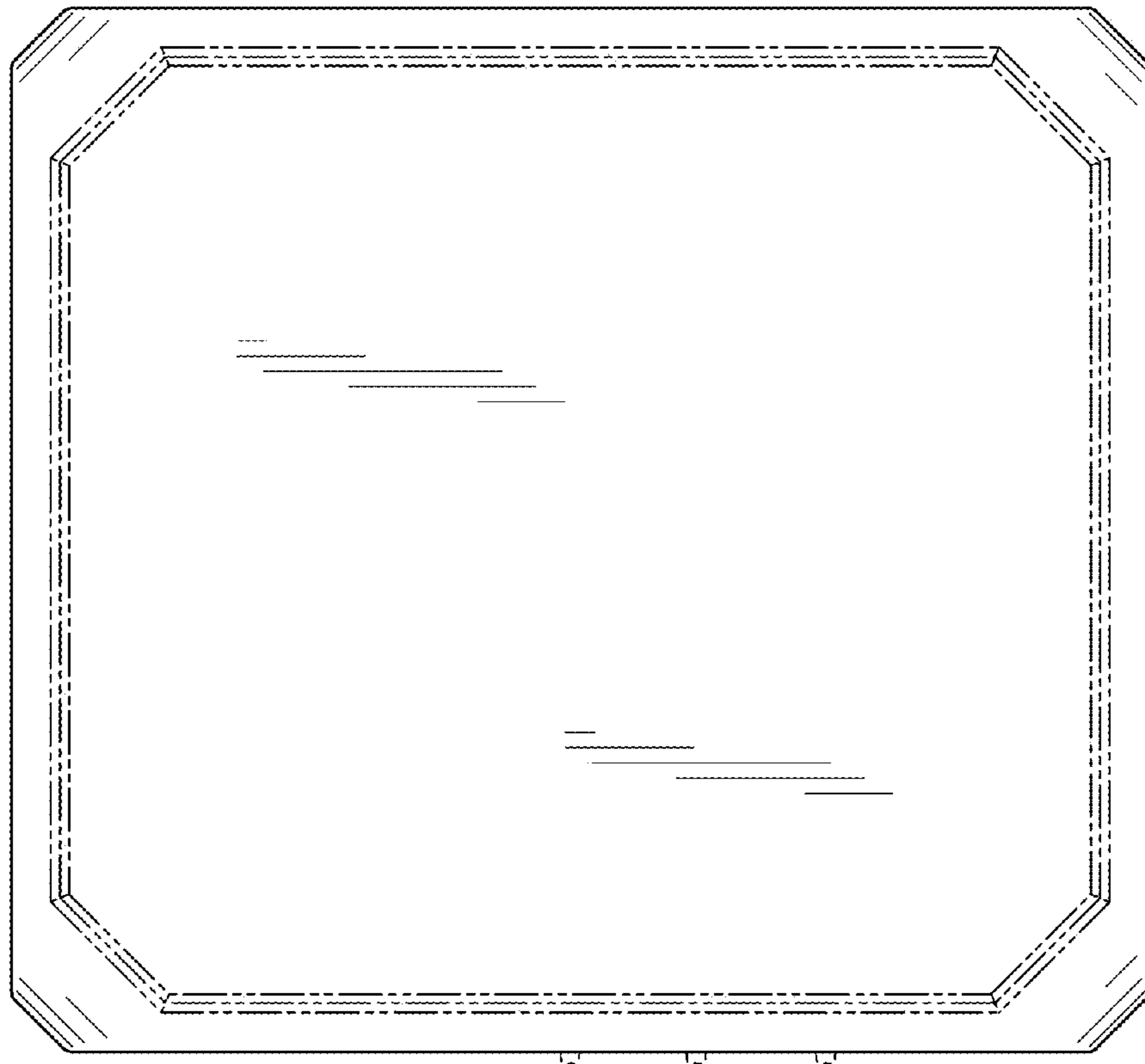


FIG. 6

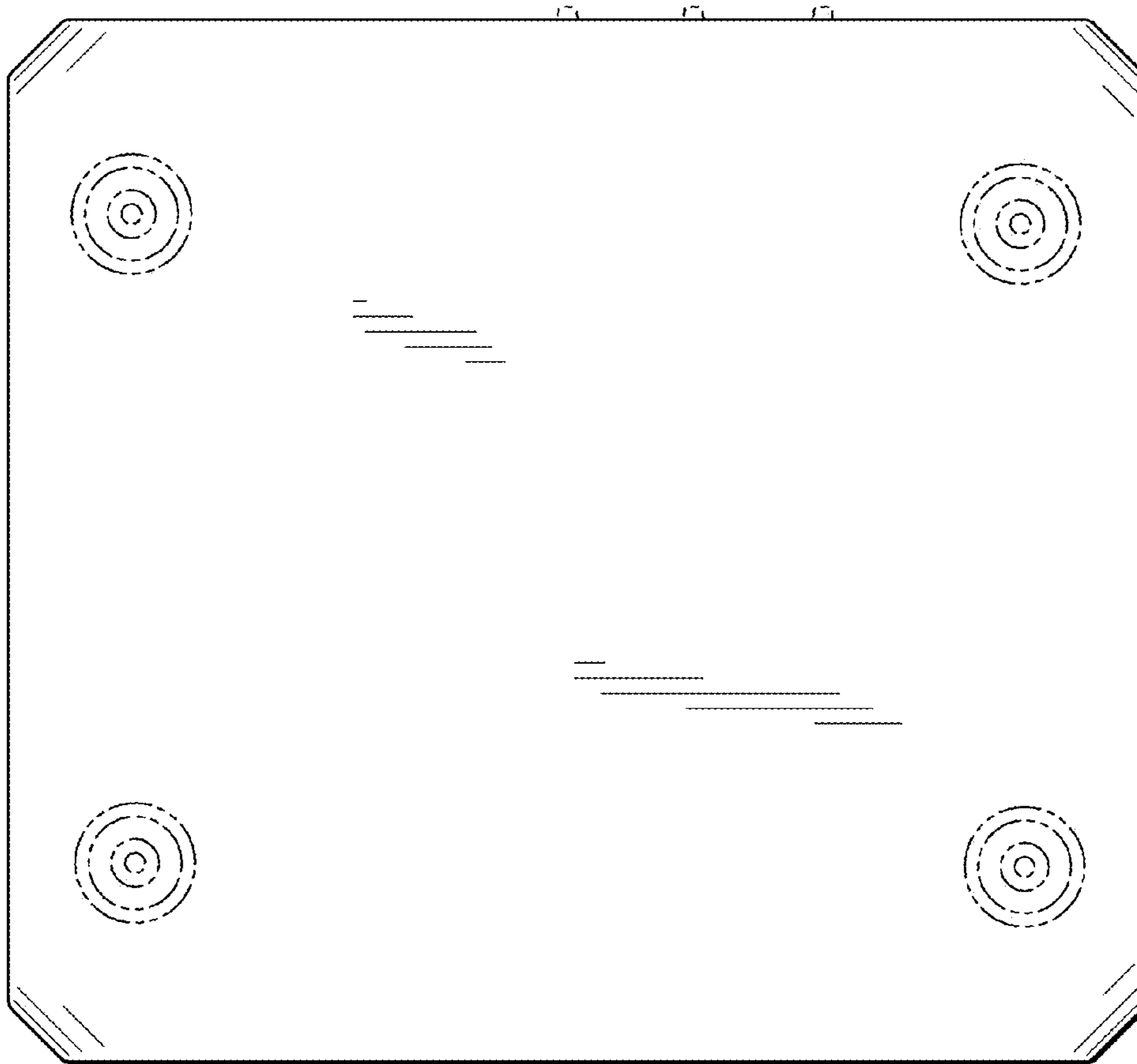


FIG. 7

UNITED STATES PATENT AND TRADEMARK OFFICE
CERTIFICATE OF CORRECTION

PATENT NO. : D698,038 S
APPLICATION NO. : 29/386708
DATED : January 21, 2014
INVENTOR(S) : Glen Davis, Wesley Smith and John Jackson

Page 1 of 1

It is certified that error appears in the above-identified patent and that said Letters Patent is hereby corrected as shown below:

On the Title Page

Item Description-section should read as follows:

--FIG. 2 is a front view of the PLATE LOADER of FIG. 1.
FIG. 3 is a rear view of the PLATE LOADER of FIG. 1.
FIG. 4 is a side view of the PLATE LOADER of FIG. 1.
FIG. 5 is another side view of the PLATE LOADER of FIG. 1.
FIG. 6 is a top view of the PLATE LOADER of FIG. 1.
FIG. 7 is a bottom view of the PLATE LOADER of FIG. 1.--

Signed and Sealed this
Twenty-first Day of October, 2014



Michelle K. Lee
Deputy Director of the United States Patent and Trademark Office