



US00D698032S

(12) **United States Design Patent**
Steimle

(10) **Patent No.:** **US D698,032 S**

(45) **Date of Patent:** **** *Jan. 21, 2014**

(54) **SPA AND POOL HOUSING COMPONENT**

(71) Applicant: **California Pools**, Irvine, CA (US)

(72) Inventor: **Vanz Mark Steimle**, Huntington Beach, CA (US)

(73) Assignee: **California Pools**, Irvine, CA (US)

(*) Notice: This patent is subject to a terminal disclaimer.

(**) Term: **14 Years**

(21) Appl. No.: **29/434,820**

(22) Filed: **Oct. 17, 2012**

(51) **LOC (10) Cl.** **23-01**

(52) **U.S. Cl.**
USPC **D24/201**

(58) **Field of Classification Search**
USPC D24/201, 204, 205; D23/277, 260, 261;
4/541.1-541.6, 547, 578.1, 579, 492
See application file for complete search history.

(56) **References Cited**

U.S. PATENT DOCUMENTS

4,271,541	A *	6/1981	Mathews	4/492
4,391,005	A *	7/1983	Goettl	4/492
4,939,797	A *	7/1990	Goettl	4/492
5,220,695	A *	6/1993	Henkin et al.	4/541.4

5,251,343	A *	10/1993	Goettl	4/492
5,291,621	A *	3/1994	Mathis	4/541.4
6,065,161	A *	5/2000	Mateina et al.	4/541.6
6,122,775	A *	9/2000	Jacuzzi et al.	4/541.5
6,138,293	A *	10/2000	Mathews	4/492
6,453,484	B1	9/2002	Pinciaro		
D638,133	S *	5/2011	Lee	D24/201
8,214,935	B2 *	7/2012	Colin	4/492
8,250,682	B2 *	8/2012	Mjelde et al.	4/492
D675,330	S *	1/2013	Lee	D24/201
2012/0131741	A1	5/2012	Steimle		

* cited by examiner

Primary Examiner — David Muller

(74) *Attorney, Agent, or Firm* — Knobbe, Martens, Olson & Bear LLP

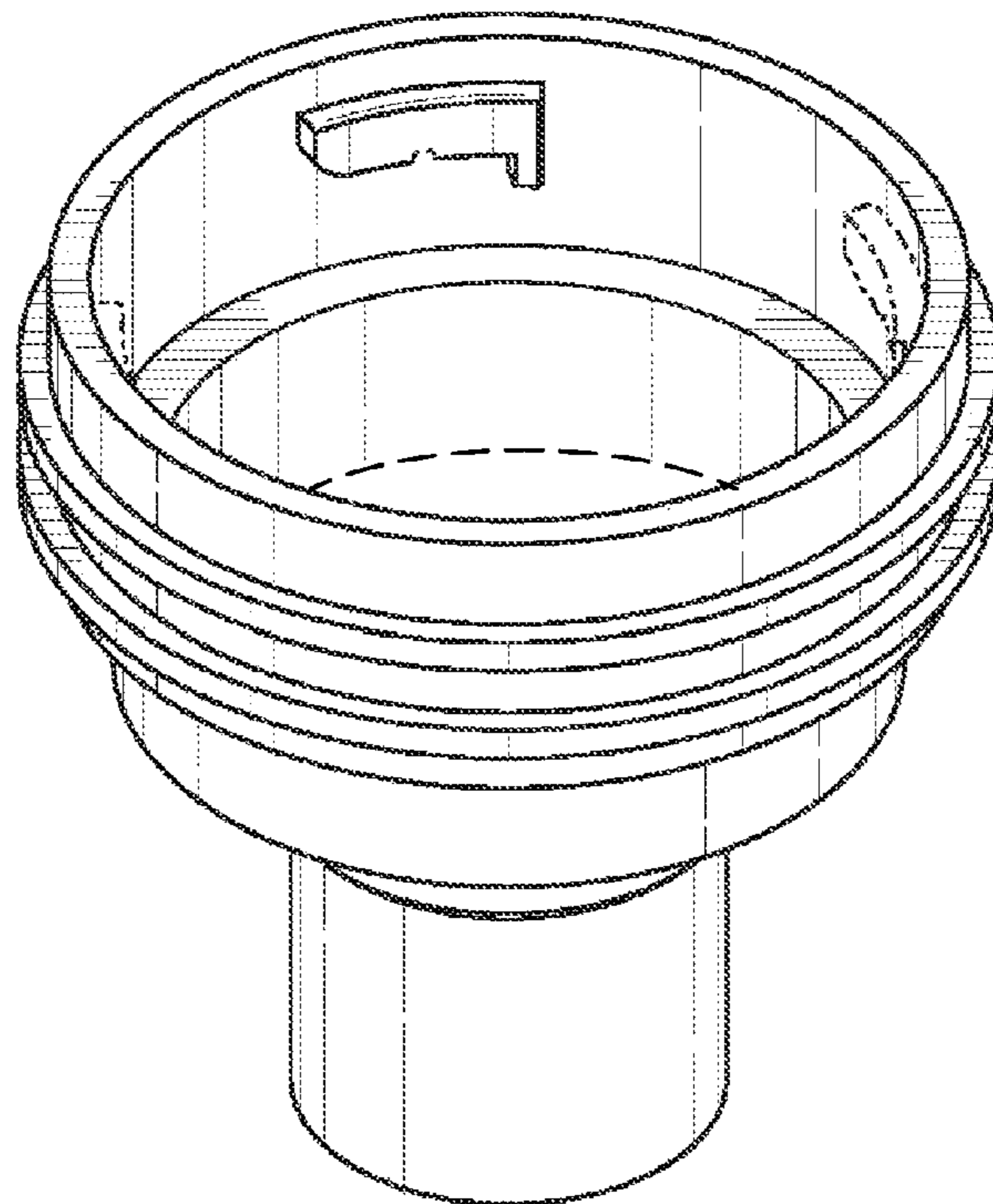
(57) **CLAIM**

The ornamental design for a spa and pool housing component, as shown and described.

DESCRIPTION

FIG. 1 is a top plan view of a spa and pool housing component showing my new design;
FIG. 2 is a top perspective view thereof; and,
FIG. 3 is a front elevational view of the side seen in FIG. 2.
The dash dot lines immediately adjacent to the claimed areas in FIG. 1 represent the boundaries of the claimed design. The dashed lines in the figures illustrate the portions of the design that form no part of the claimed design. None of the broken lines form any part of the claimed design.

1 Claim, 2 Drawing Sheets



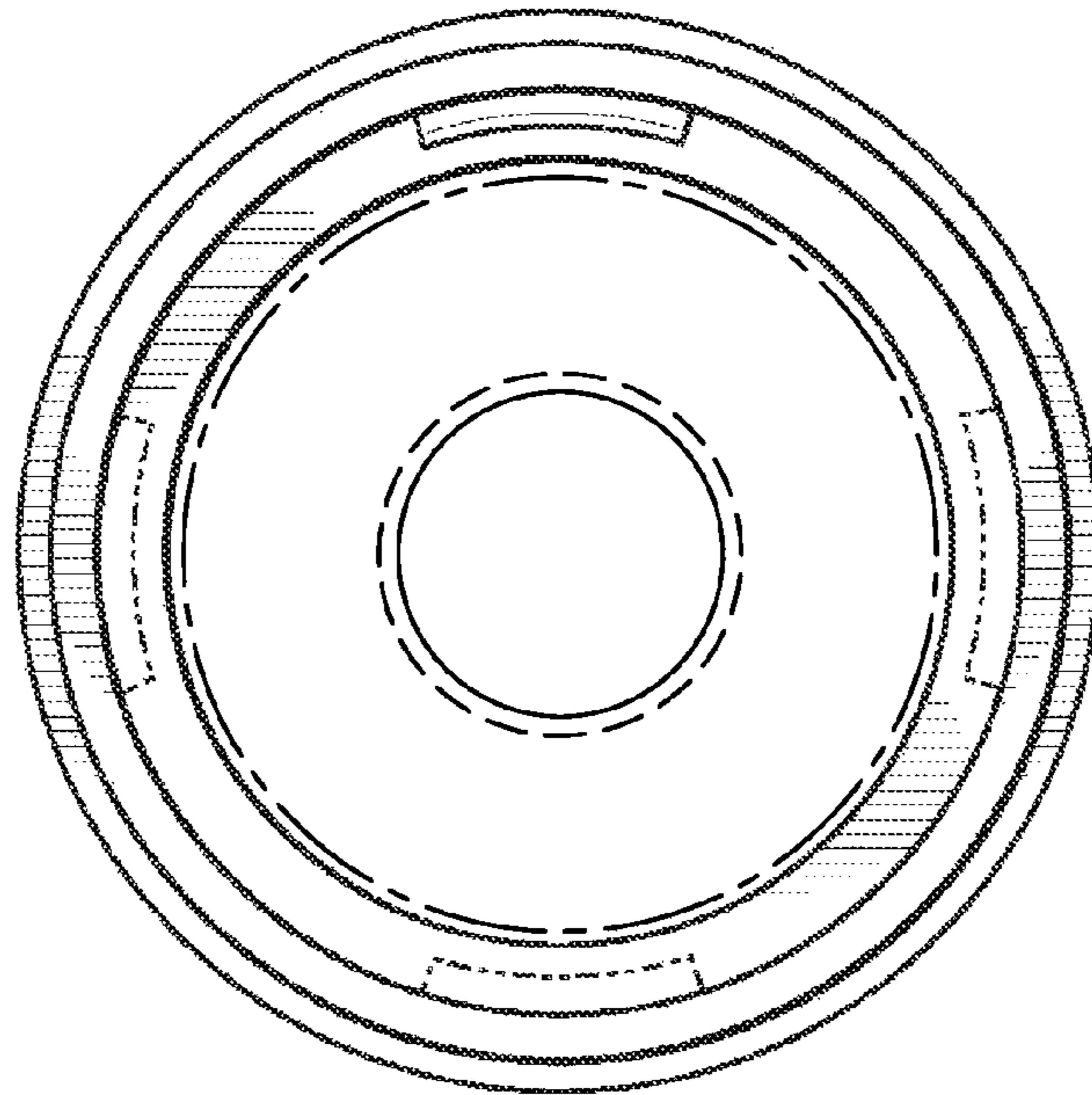


FIG. 1

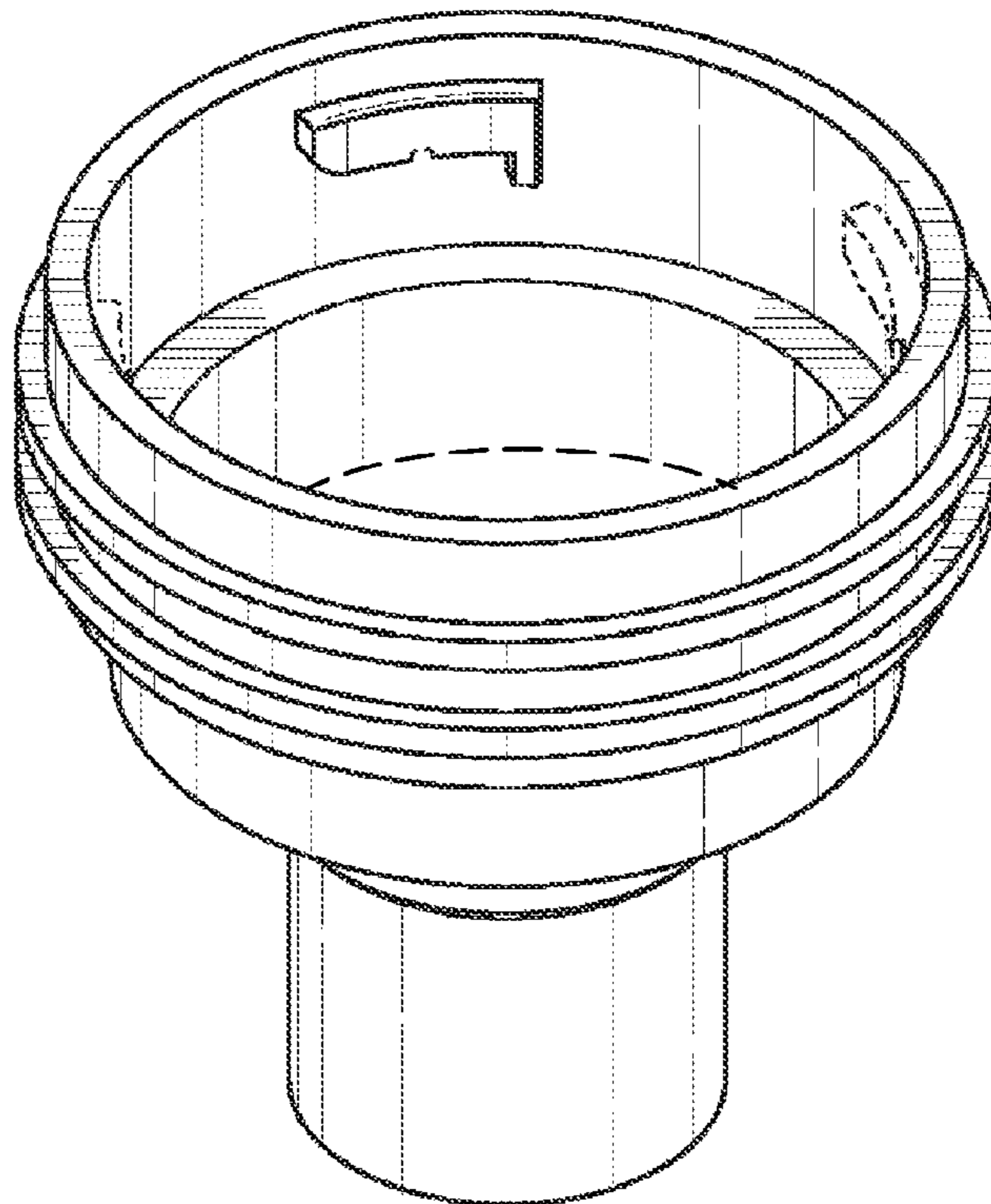


FIG. 2

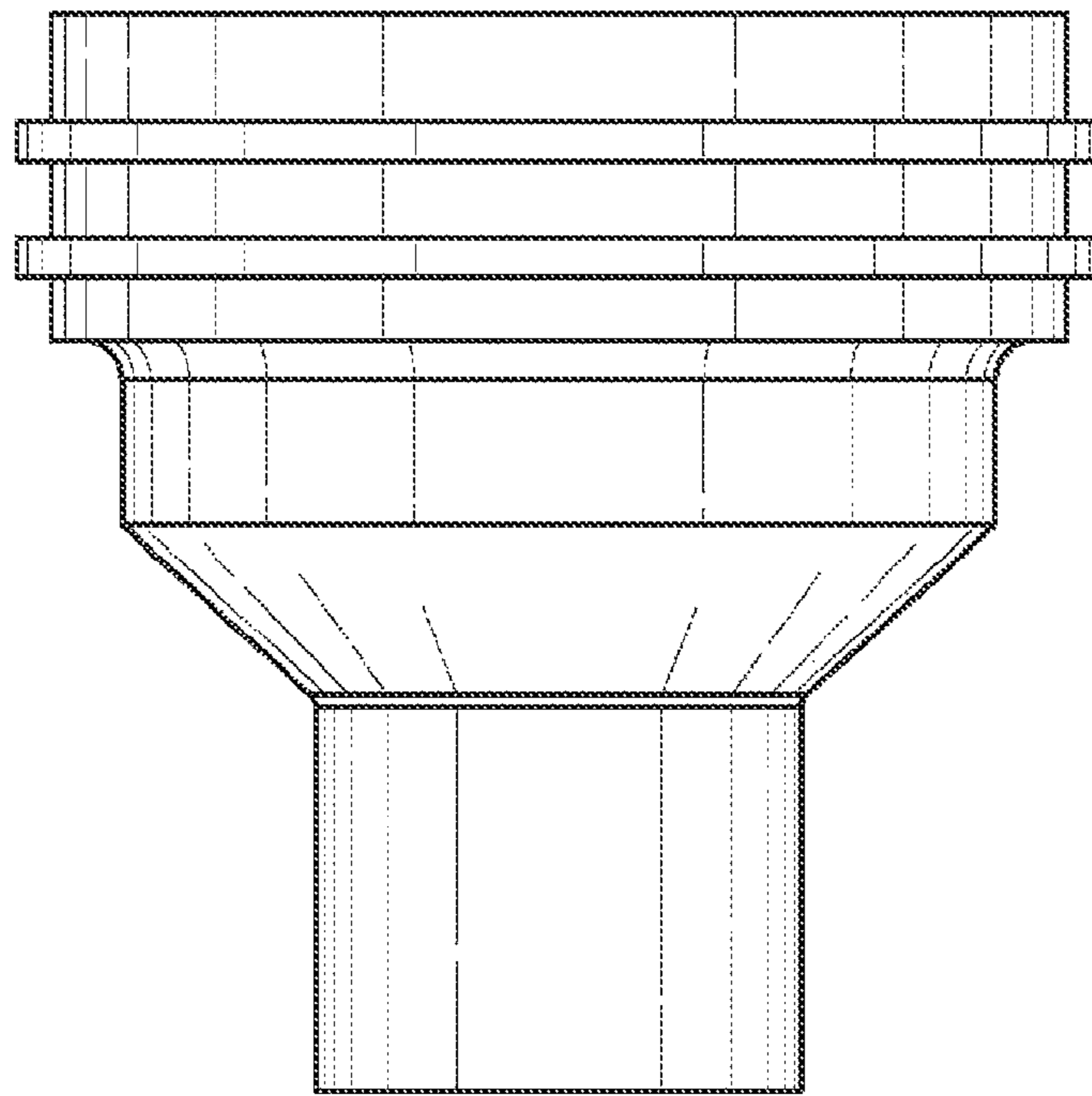


FIG. 3