

US00D698030S

(12) **United States Design Patent**
Crisco et al.

(10) **Patent No.:** **US D698,030 S**
(45) **Date of Patent:** **** Jan. 21, 2014**

(54) **ARM POSITIONING CUSHION**

(74) *Attorney, Agent, or Firm* — Stoel Rives LLP

(75) Inventors: **Larry Van Thomas Crisco**, Atlanta, GA (US); **James Bradley Hess**, Roswell, GA (US); **Gary G. Goff**, Canton, GA (US)

(57) **CLAIM**
The ornamental design for an arm positioning cushion, as shown and described.

(73) Assignee: **Merit Medical Systems, Inc.**, South Jordan, UT (US)

DESCRIPTION

(**) Term: **14 Years**

(21) Appl. No.: **29/430,598**

(22) Filed: **Aug. 28, 2012**

(51) **LOC (10) Cl.** **24-01**

(52) **U.S. Cl.**
USPC **D24/190; D24/183**

(58) **Field of Classification Search**
USPC D24/183, 184, 188, 190, 191, 192;
D6/601; 602/4-6, 12, 20, 21, 22, 60,
602/62, 63, 64; 128/845, 846, 857, 869,
128/876, 877, 878; 5/600, 622, 628, 636,
5/637, 646, 647, 655

See application file for complete search history.

(56) **References Cited**

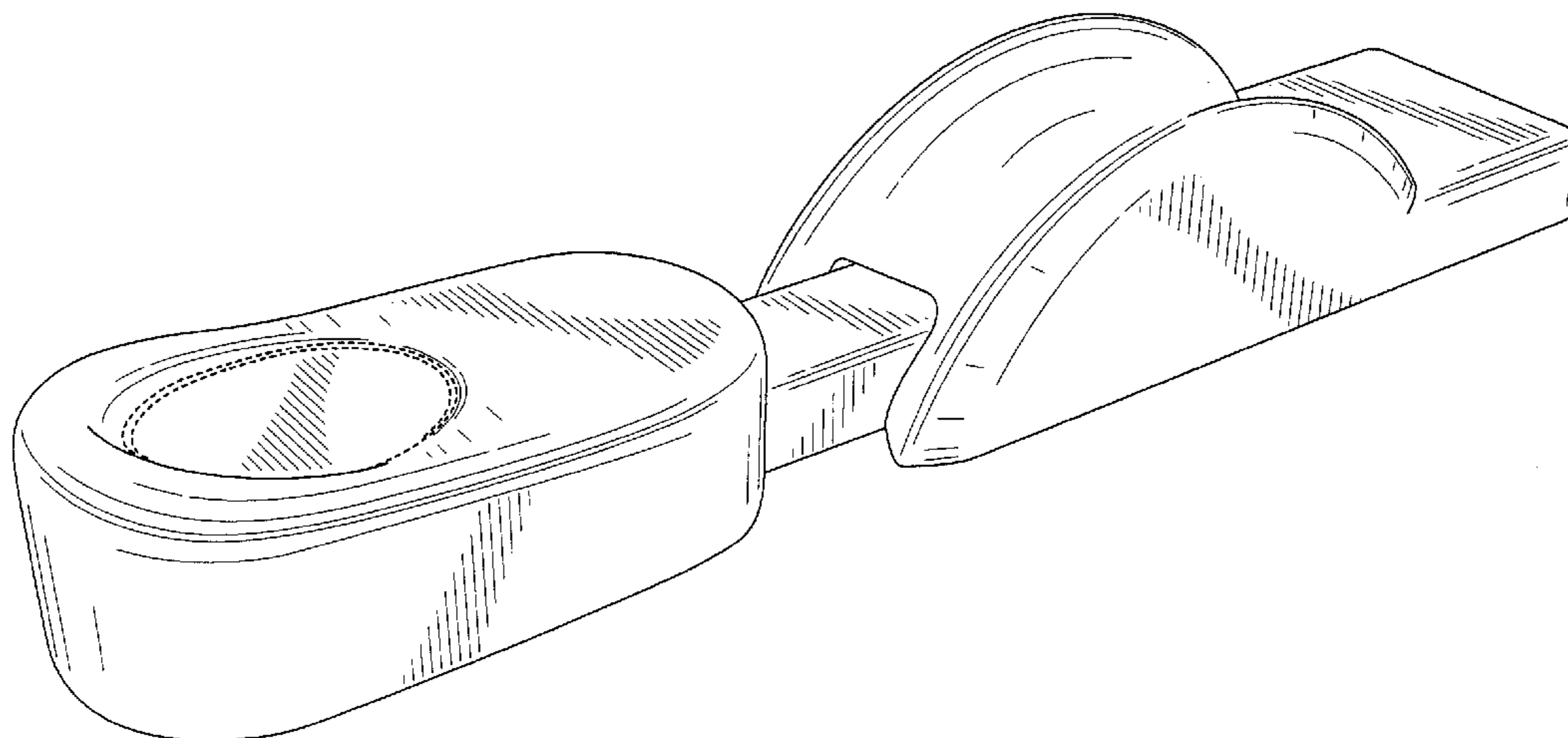
U.S. PATENT DOCUMENTS

3,242,923	A *	3/1966	Jacoby, Sr.	128/877
3,747,916	A *	7/1973	Benson	5/600
D249,360	S *	9/1978	Lacock	D24/183
D266,345	S *	9/1982	Bigham et al.	D21/791
D267,028	S *	11/1982	Spisak	D21/686
4,576,351	A *	3/1986	Brink	248/118
D299,539	S *	1/1989	Kennedy	D24/188
D318,923	S *	8/1991	Marsh	D24/183
D333,520	S *	2/1993	Mann	D24/190
D362,072	S *	9/1995	Sternberg	D24/190
D402,036	S *	12/1998	Parsley et al.	D24/192
D407,820	S *	4/1999	Sullenberger et al.	D24/184

(Continued)

Primary Examiner — Susan E Krakower

1 Claim, 13 Drawing Sheets



(56)

References Cited

U.S. PATENT DOCUMENTS

D412,191 S * 7/1999 Woo D21/686
D413,982 S * 9/1999 Swedberg et al. D24/190
D415,281 S * 10/1999 Swedberg et al. D24/190
D422,362 S * 4/2000 Ames D24/183
D424,698 S * 5/2000 Ames D24/183
D426,307 S * 6/2000 Swedberg et al. D24/183

6,497,673 B2 * 12/2002 Rogalski 602/20
D487,512 S * 3/2004 Bradshaw et al. D24/190
D518,894 S * 4/2006 Kirn D24/184
D555,250 S * 11/2007 Wells D24/184
D618,354 S * 6/2010 Francucci et al. D24/183
D649,253 S * 11/2011 Held D24/183
D652,935 S * 1/2012 Held D24/183
D657,468 S * 4/2012 Held D24/184

* cited by examiner

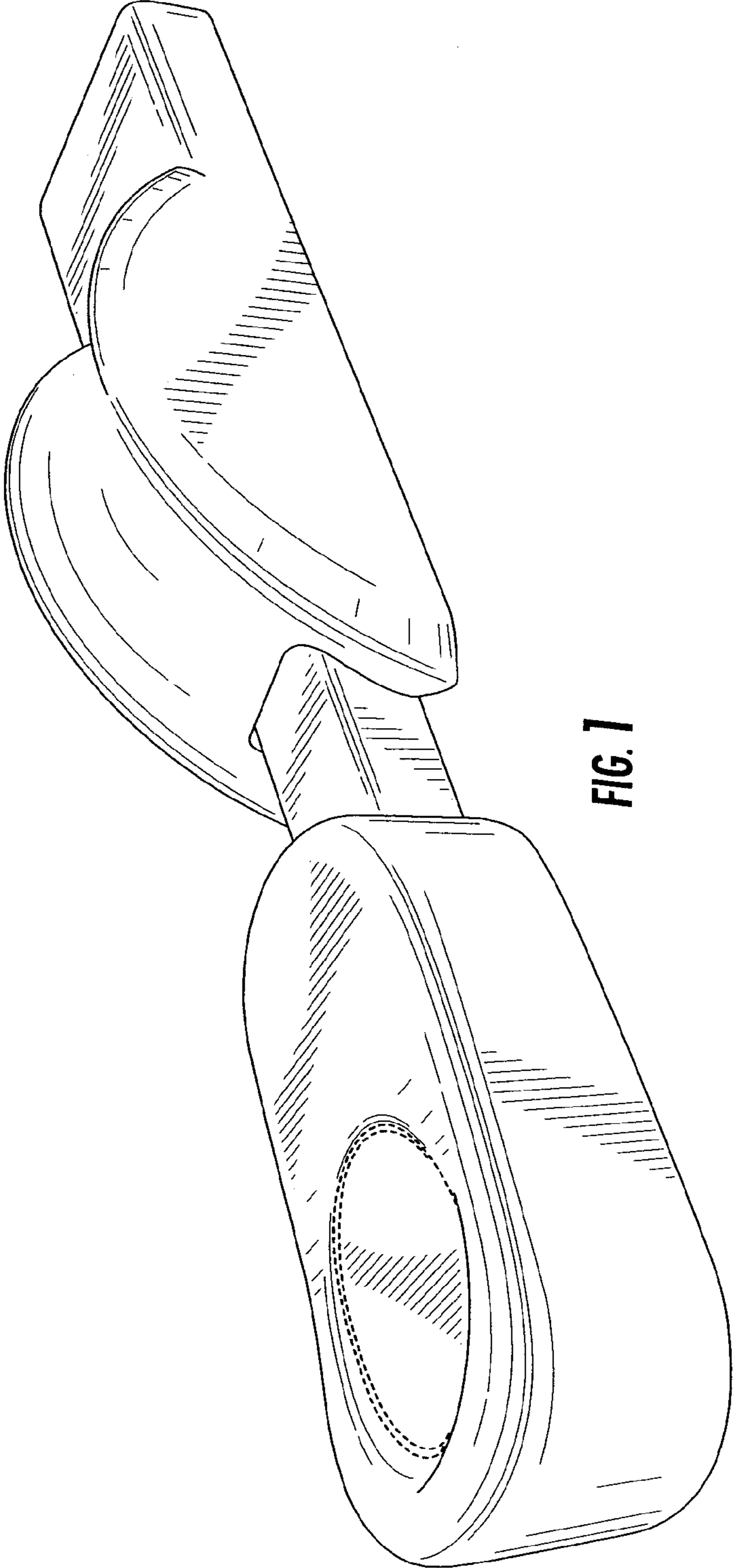


FIG. 1

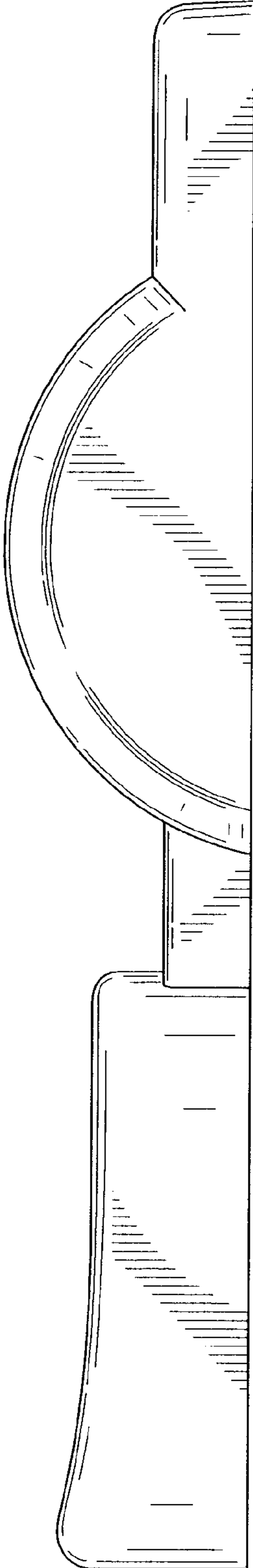


FIG. 2

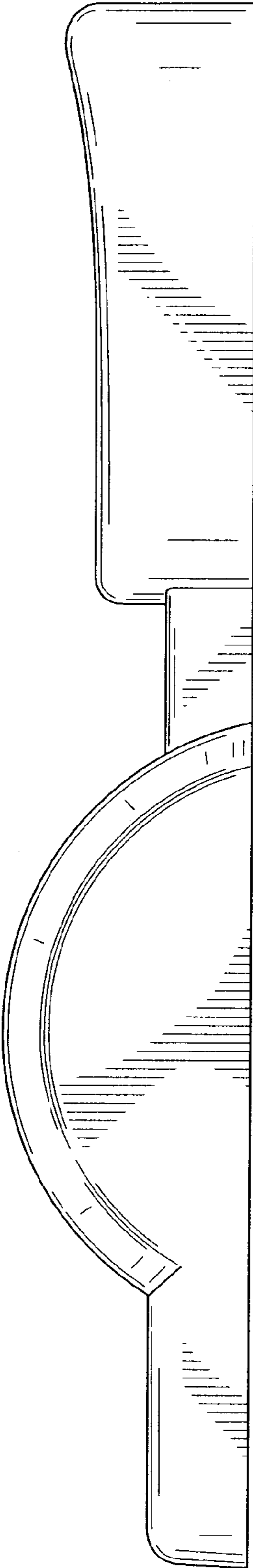


FIG. 3

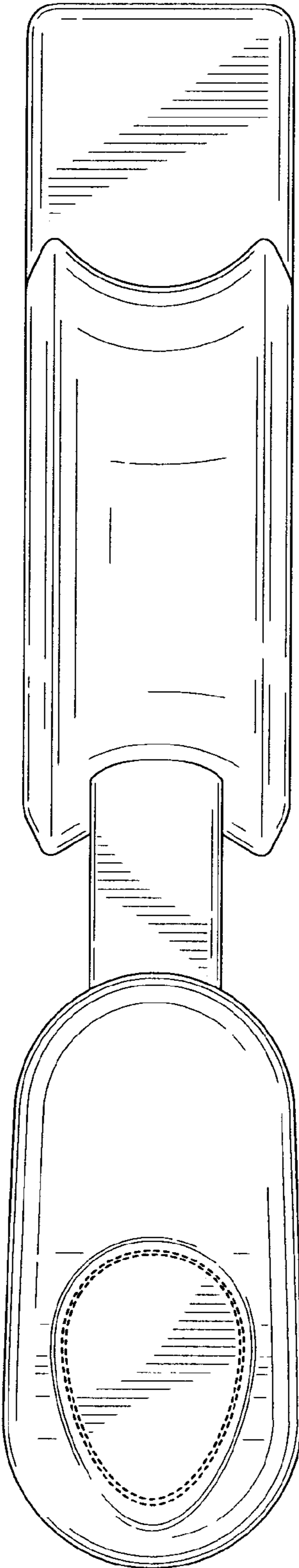


FIG. 4

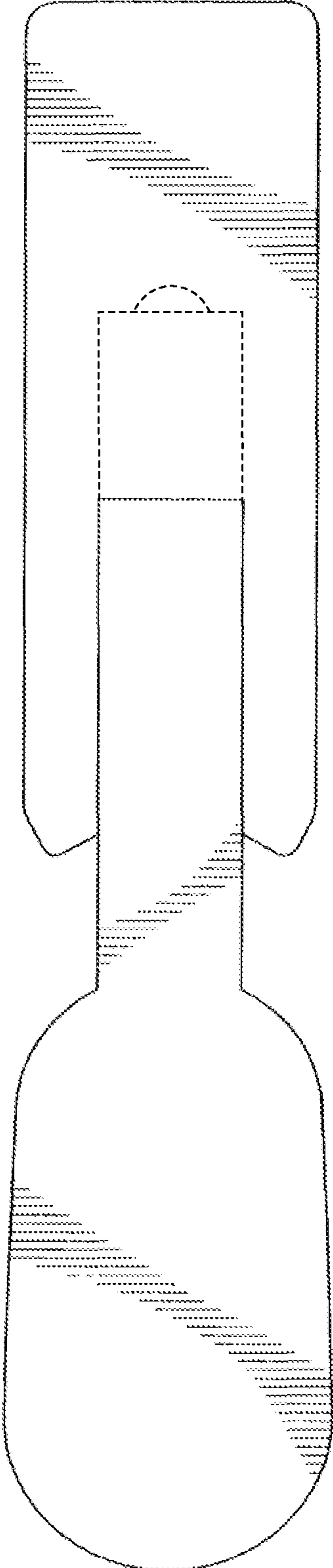


FIG. 5

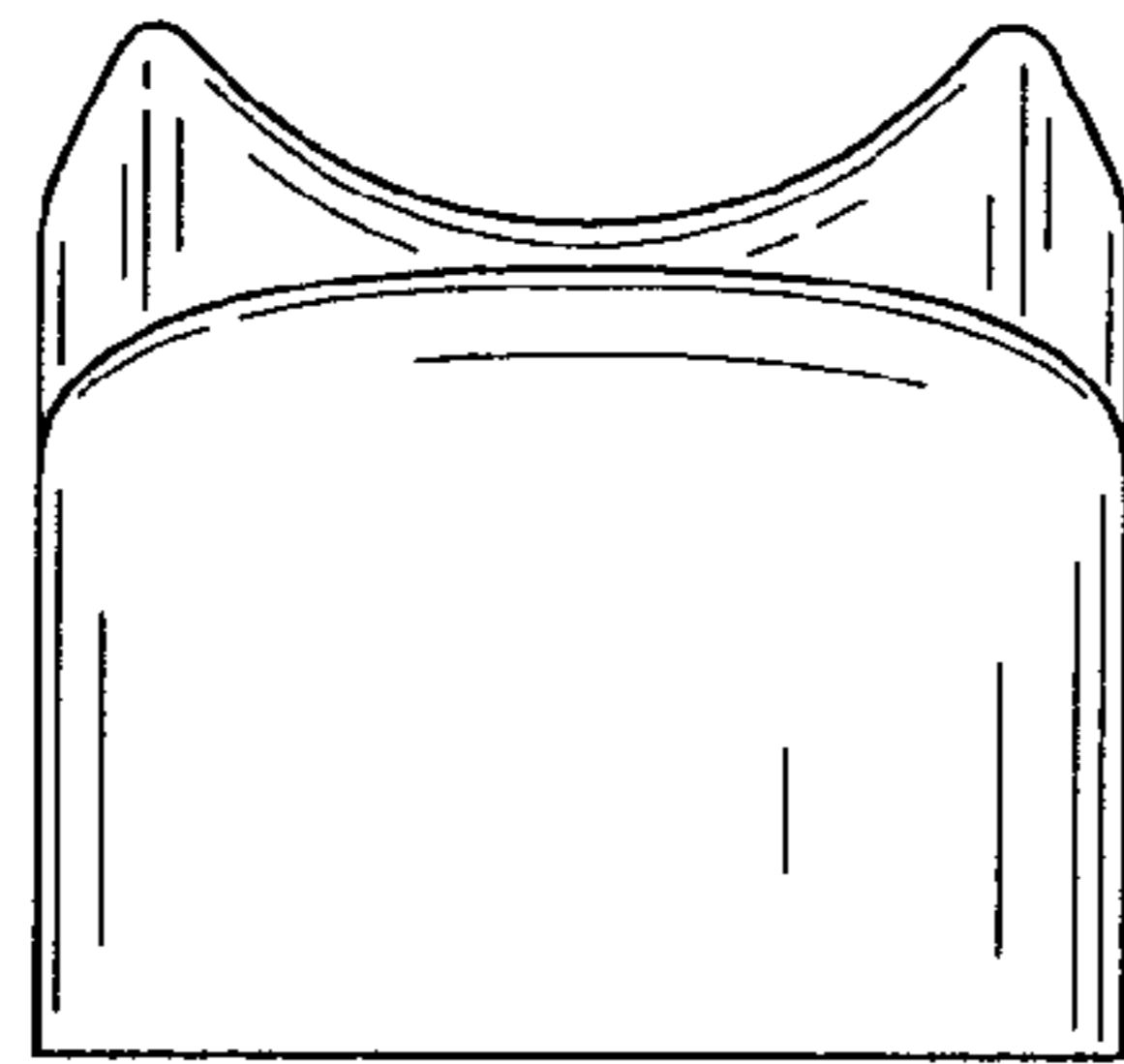


FIG. 6

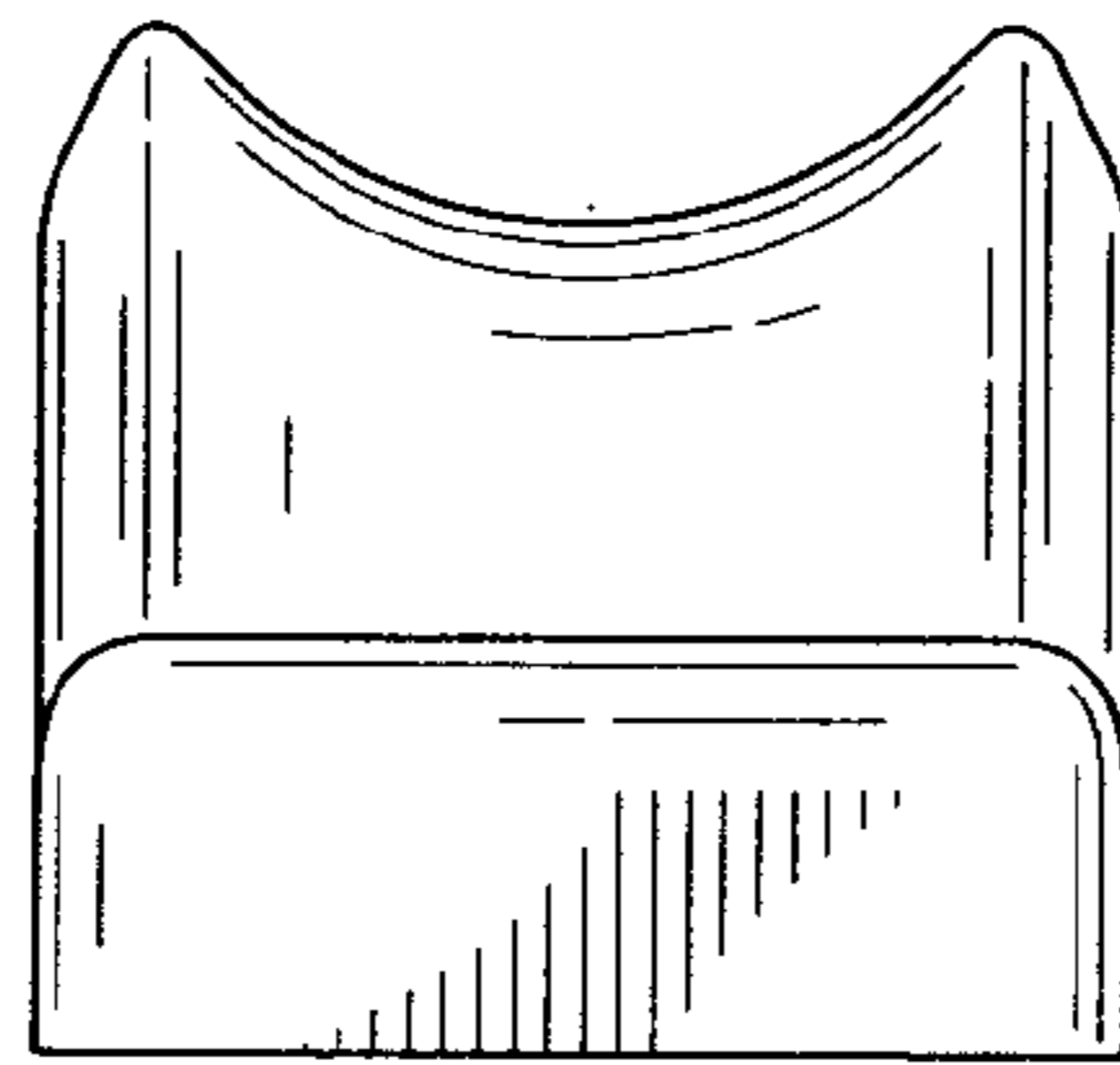
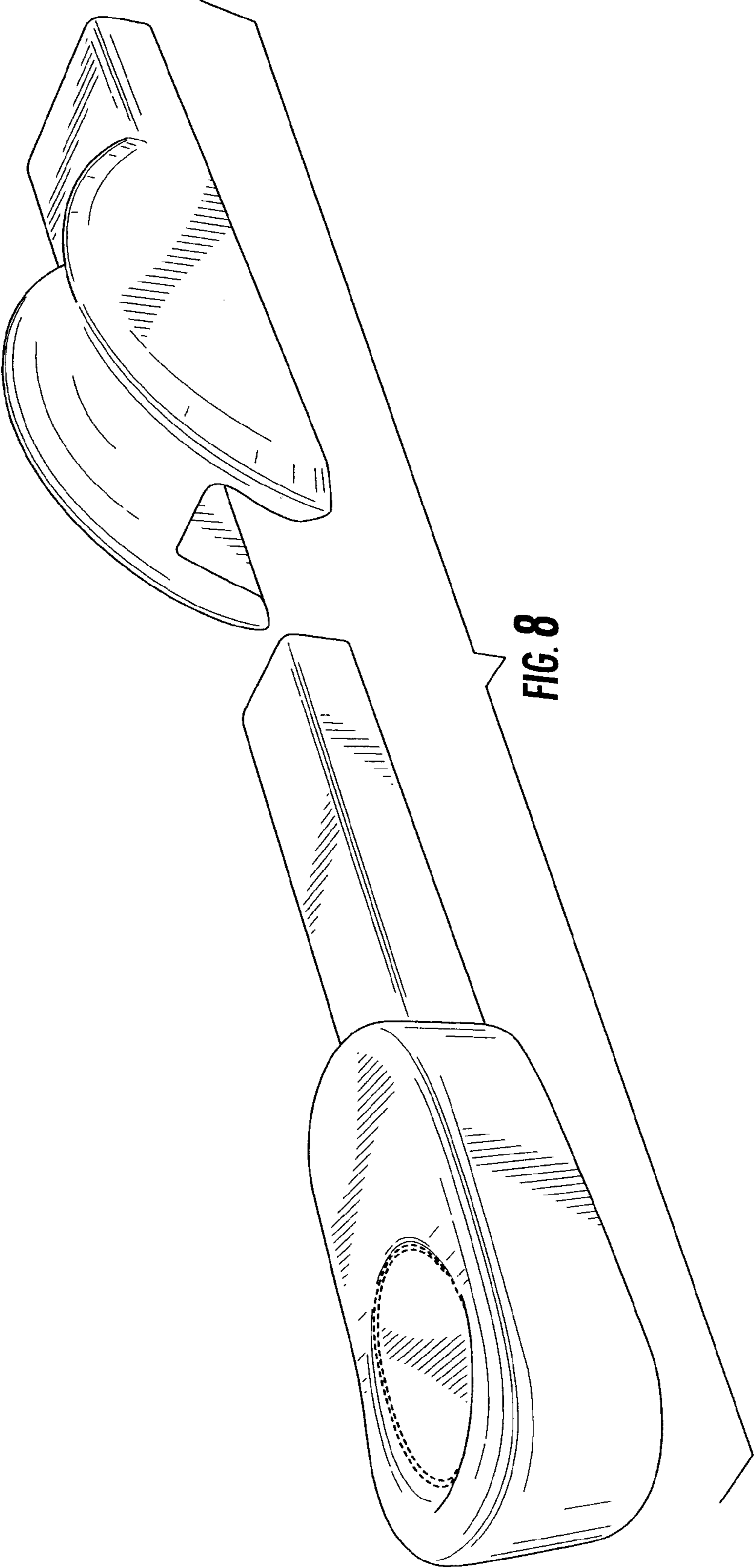


FIG. 7



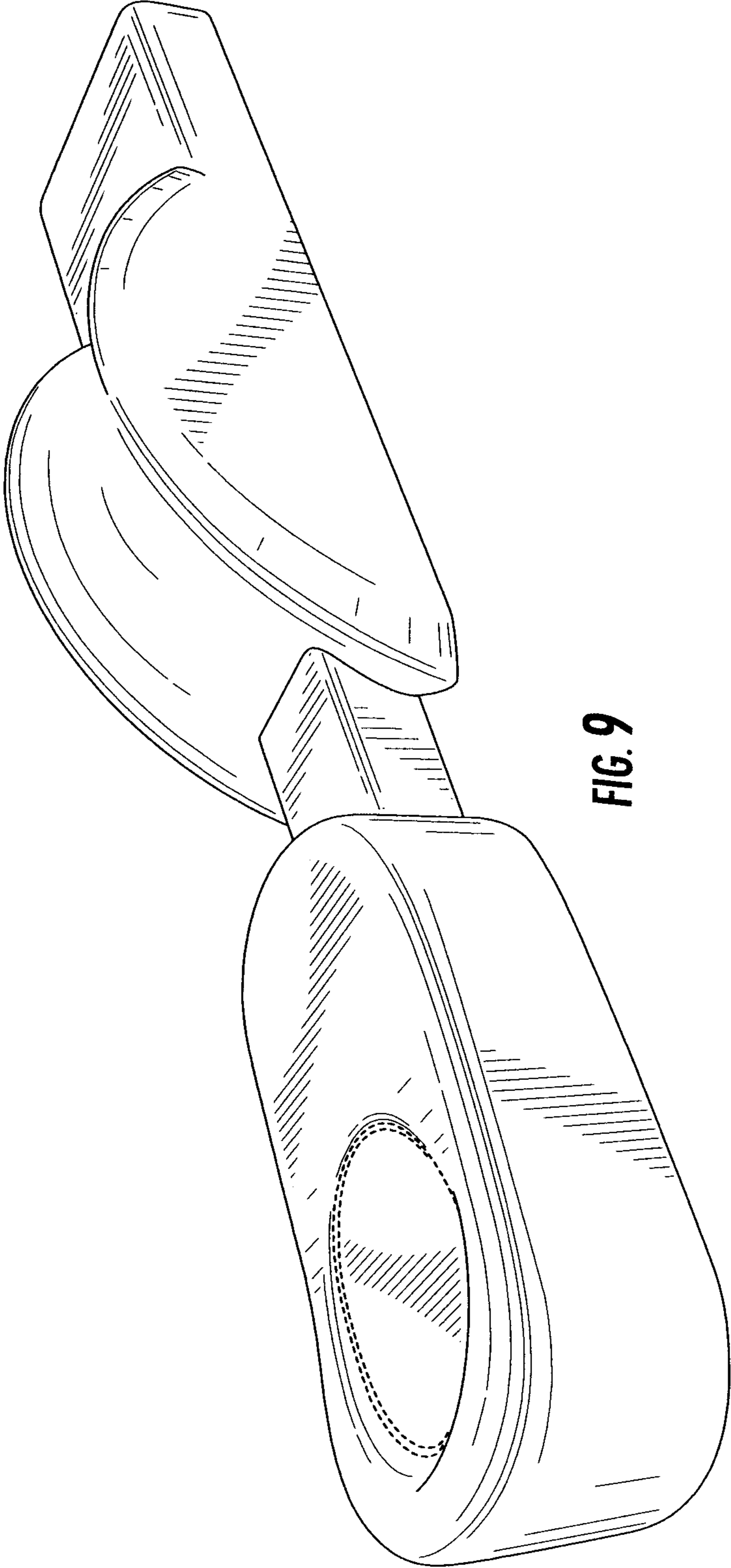


FIG. 9

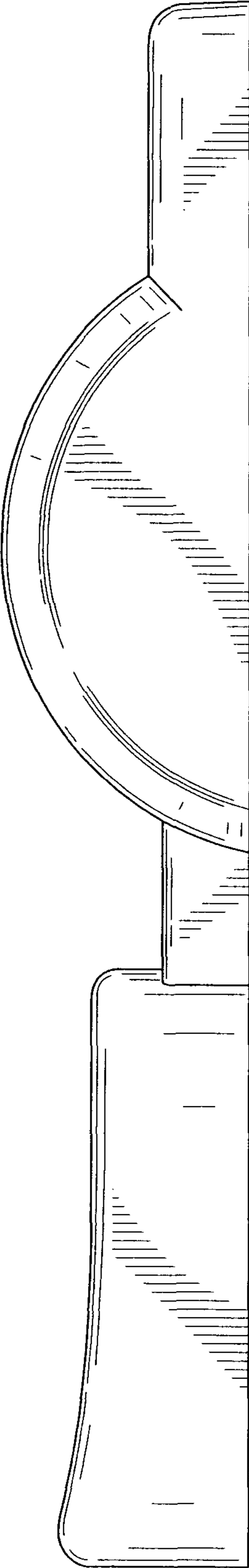


FIG. 10

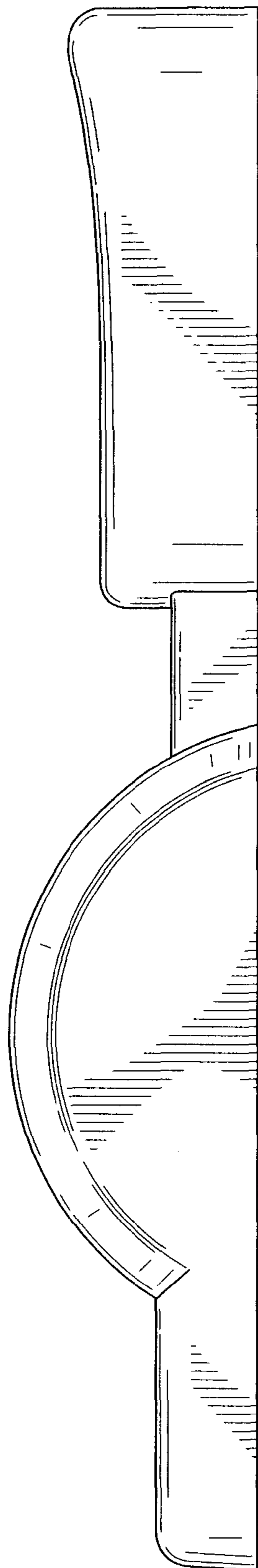


FIG. 17

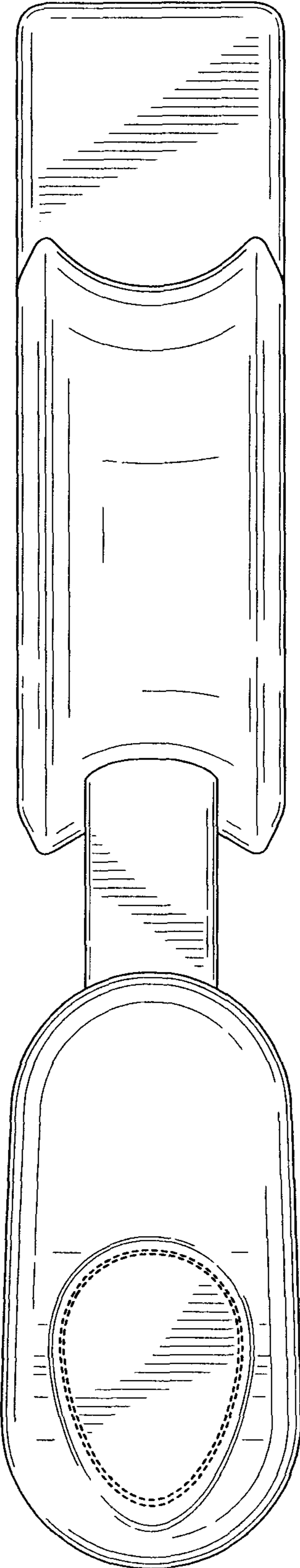


FIG. 12

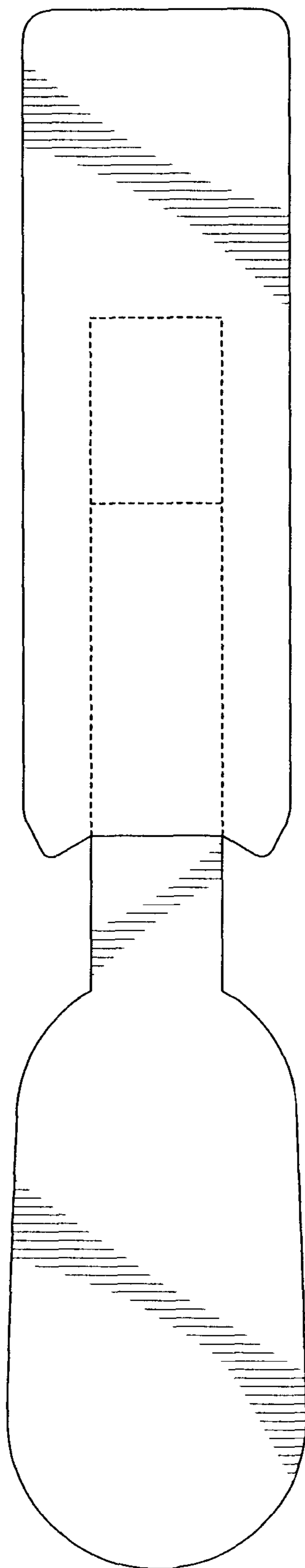


FIG. 13

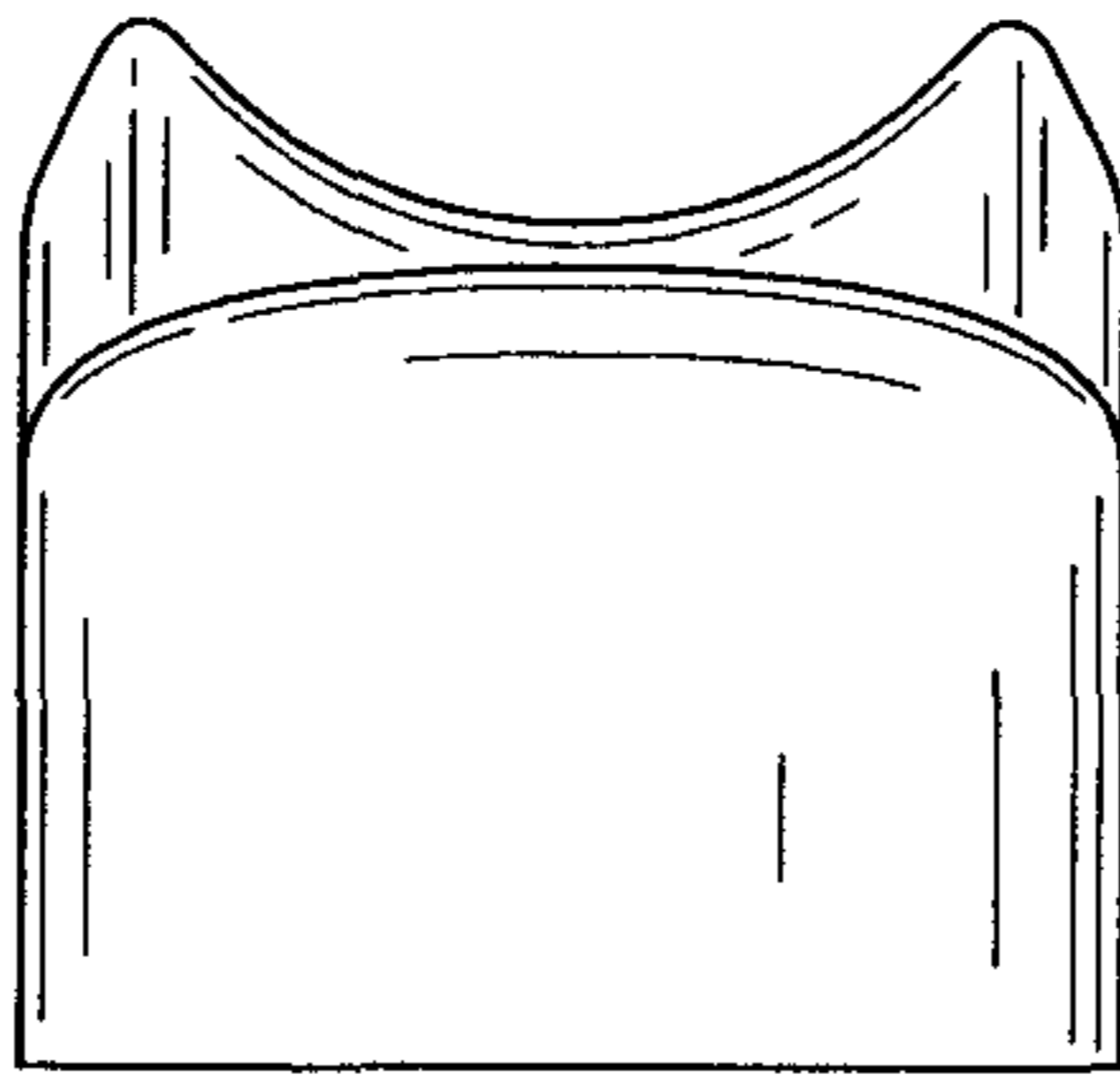


FIG. 14

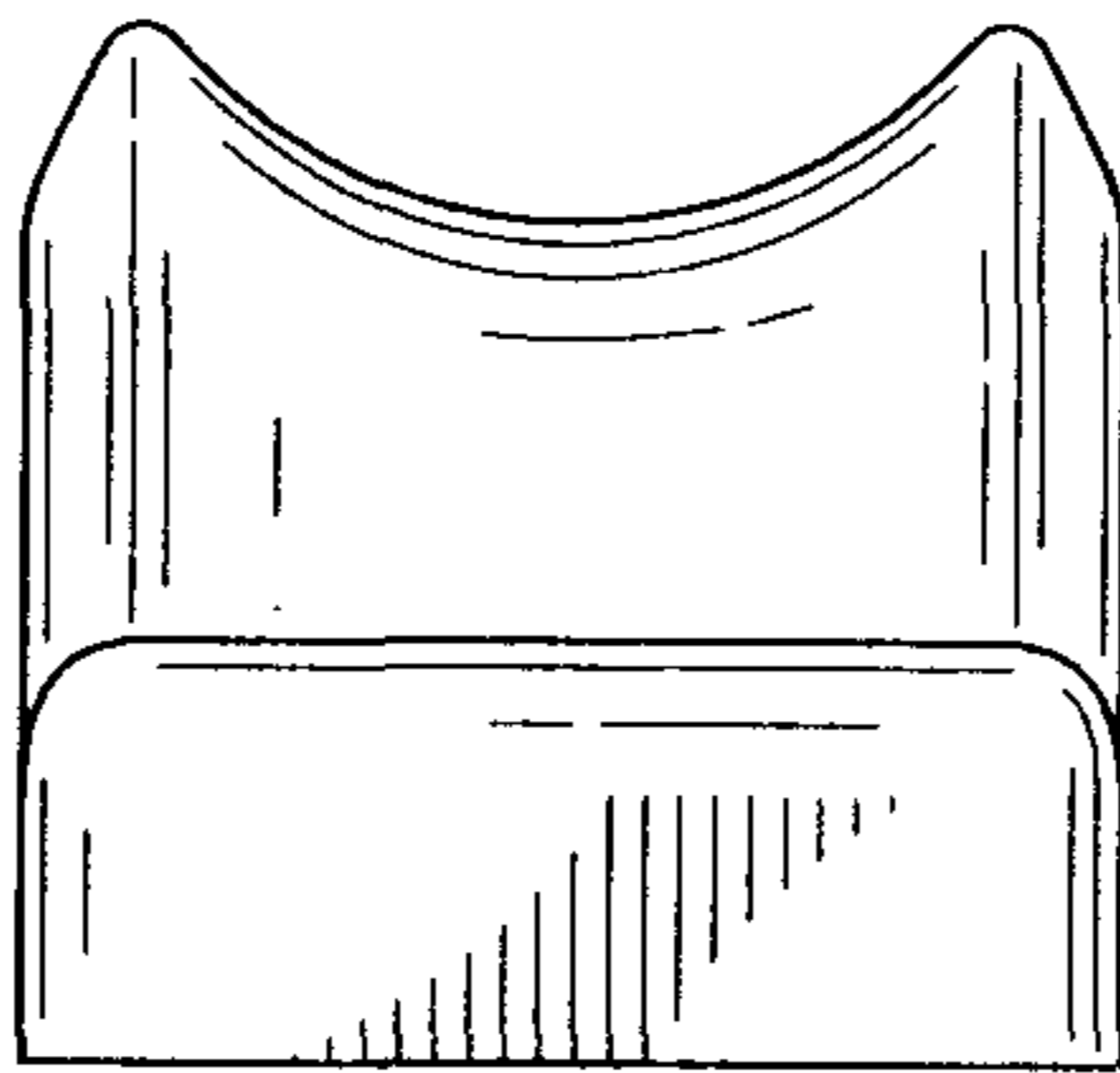


FIG. 15