

US00D698026S

(12) **United States Design Patent**  
**Kuwata et al.**

(10) **Patent No.:** **US D698,026 S**  
(45) **Date of Patent:** **\*\* Jan. 21, 2014**

(54) **BONE CONDUCTIVE HEARING AID**  
(75) Inventors: **Nobuaki Kuwata**, Nagoya (JP); **Keizou Tanaka**, Nagoya (JP)

(73) Assignee: **Goldendance Co., Ltd.**, Osaka-shi (JP)

(\*\*) Term: **14 Years**

(21) Appl. No.: **29/425,892**

(22) Filed: **Jun. 28, 2012**

(30) **Foreign Application Priority Data**

Dec. 28, 2011 (JP) ..... 2011-030517

(51) **LOC (10) Cl.** ..... **24-99**

(52) **U.S. Cl.**  
USPC ..... **D24/174**

(58) **Field of Classification Search**  
USPC ..... D24/173-175, 151; D14/205, 206,  
D14/223-226, 249; 381/23.1, 312,  
381/322-324, 328, 330, 380, 381; 181/135  
See application file for complete search history.

(56) **References Cited**

**U.S. PATENT DOCUMENTS**

D287,765 S \* 1/1987 Topholm ..... D24/174  
5,748,743 A \* 5/1998 Weeks ..... 381/328  
D455,835 S \* 4/2002 Anderson et al. .... D24/174

D512,990 S \* 12/2005 Yang ..... D14/223  
D596,295 S \* 7/2009 Hedstrom et al. .... D24/174  
D635,676 S \* 4/2011 Voix et al. .... D24/174  
D641,884 S \* 7/2011 Laperle et al. .... D24/174

\* cited by examiner

*Primary Examiner* — Anhdao Doan

(74) *Attorney, Agent, or Firm* — Kratz, Quintos & Hanson, LLP

(57) **CLAIM**

The ornamental design for a bone conductive hearing aid, as shown and described.

**DESCRIPTION**

FIG. 1 is a perspective view of the bone conductive hearing aid of the present invention;  
FIG. 2 is a front view thereof;  
FIG. 3 is a back view thereof;  
FIG. 4 is a right side view thereof;  
FIG. 5 is a left side view thereof;  
FIG. 6 is a top view thereof;  
FIG. 7 is a bottom view thereof;  
FIG. 8 is a cross-sectional view thereof taken along line 8-8 of FIG. 2; and,  
FIG. 9 is a view showing the bone conductive hearing aid in use.  
The broken lines in FIG. 9 represent the environment and form a part of the claimed design.

**1 Claim, 9 Drawing Sheets**

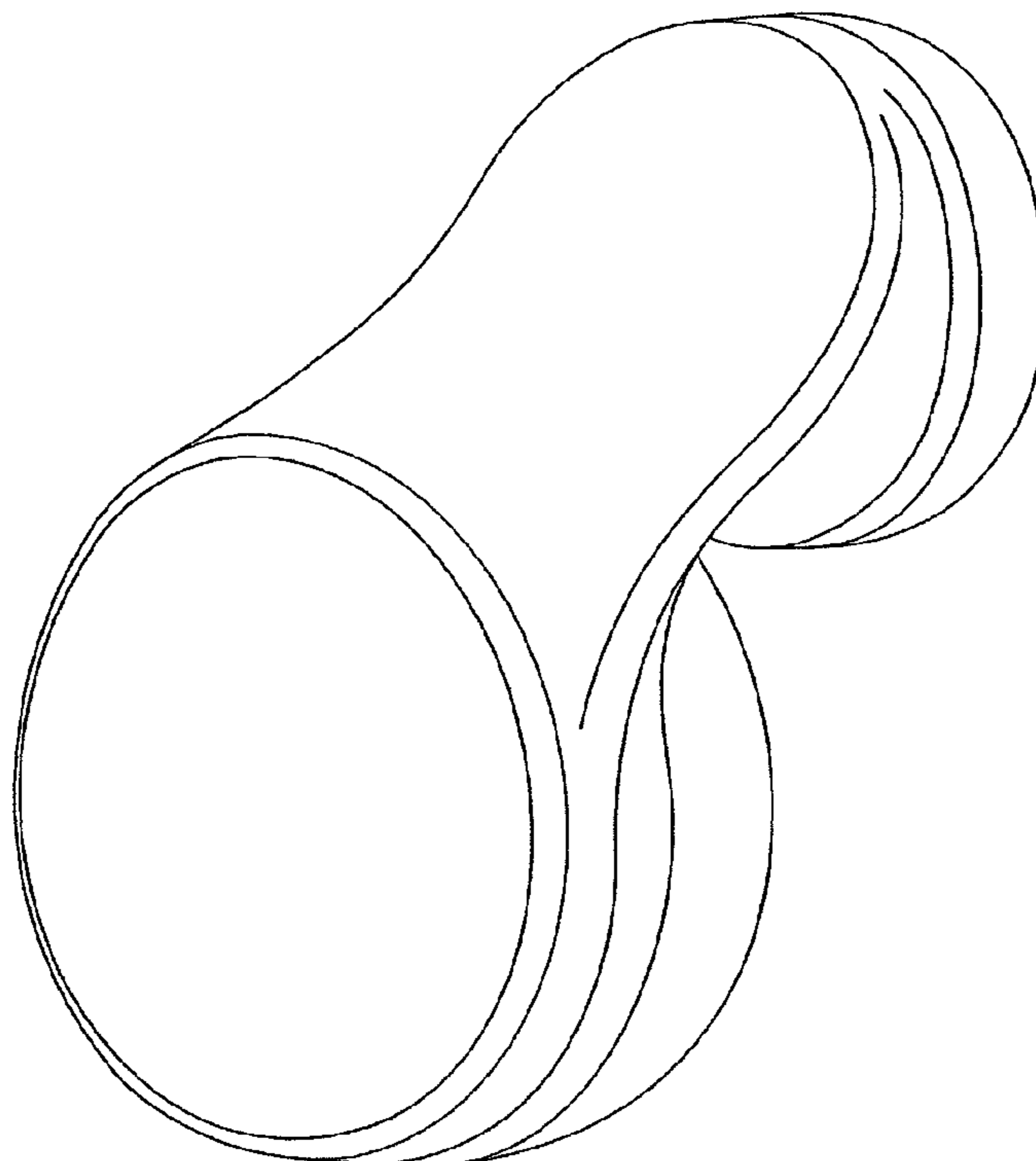


FIG. 1

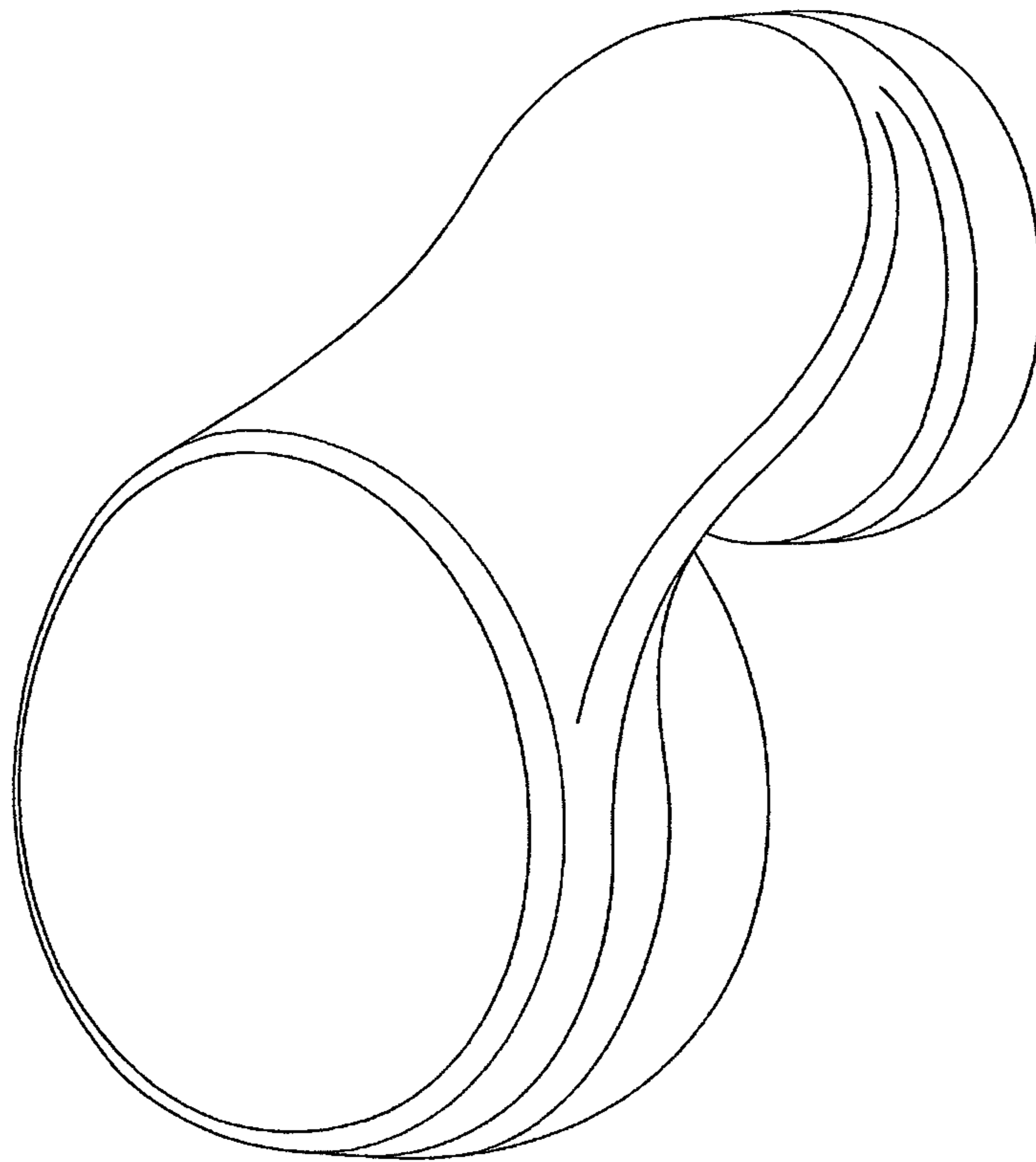


FIG. 2

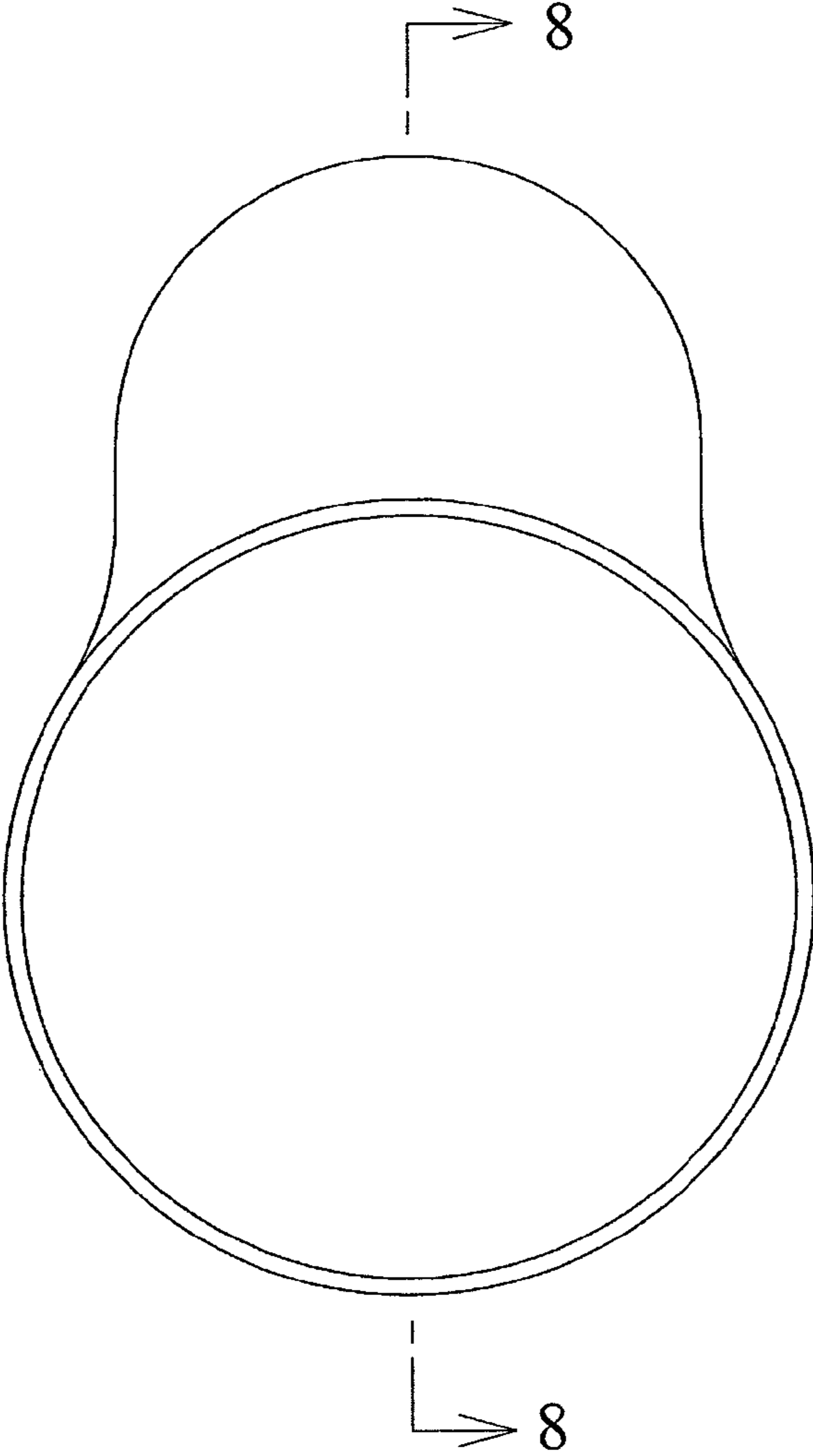


FIG. 3

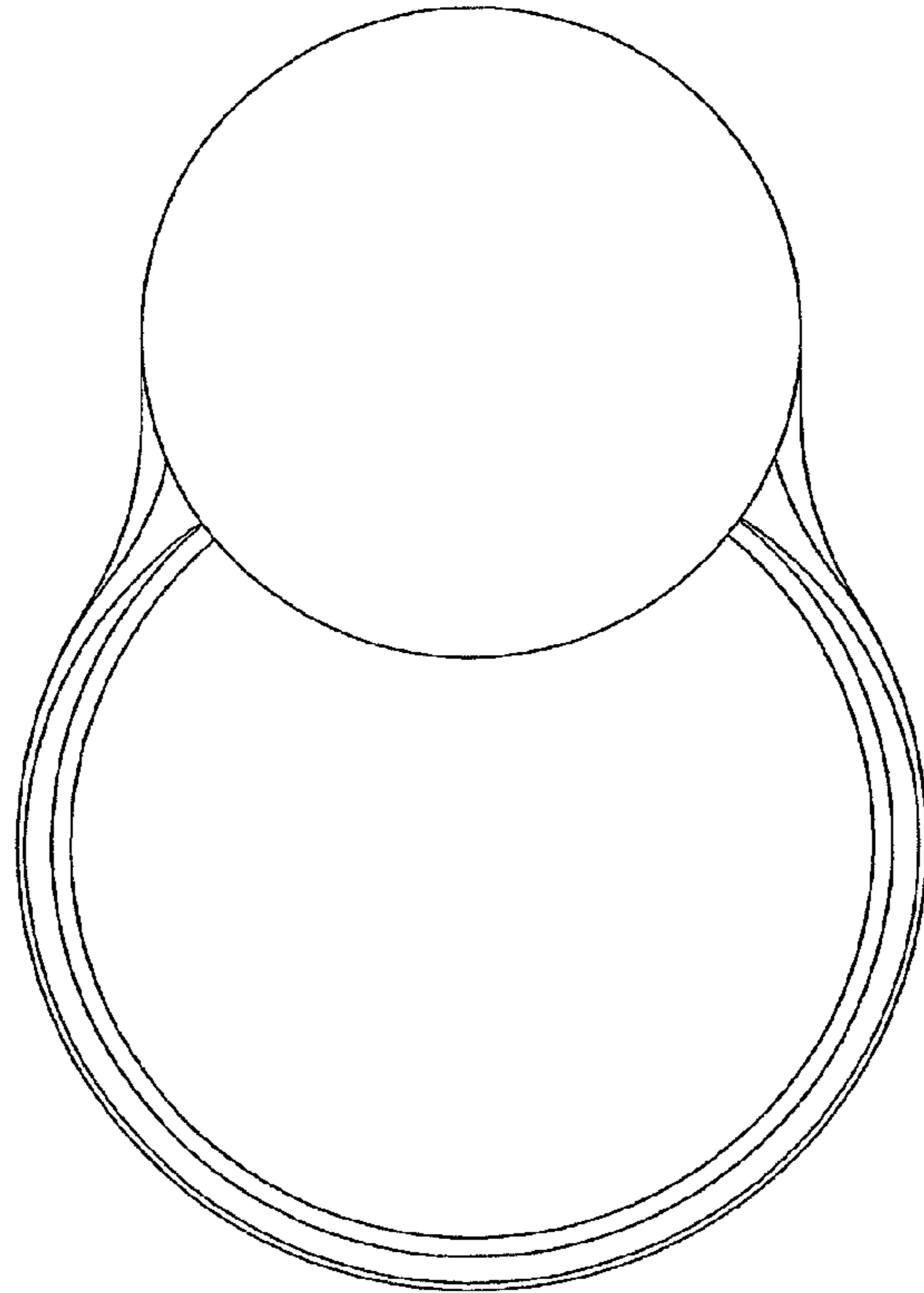


FIG. 4

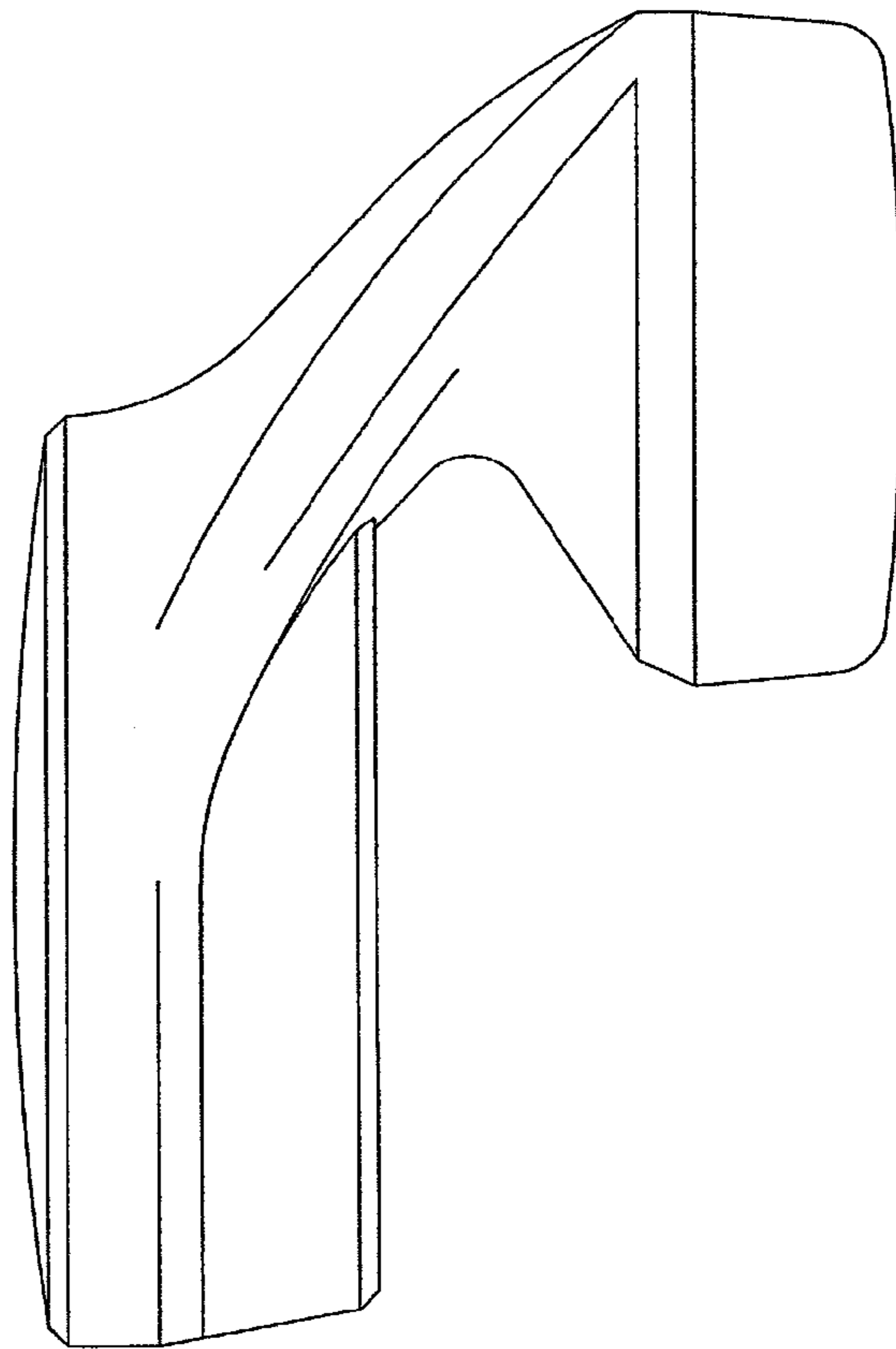


FIG. 5

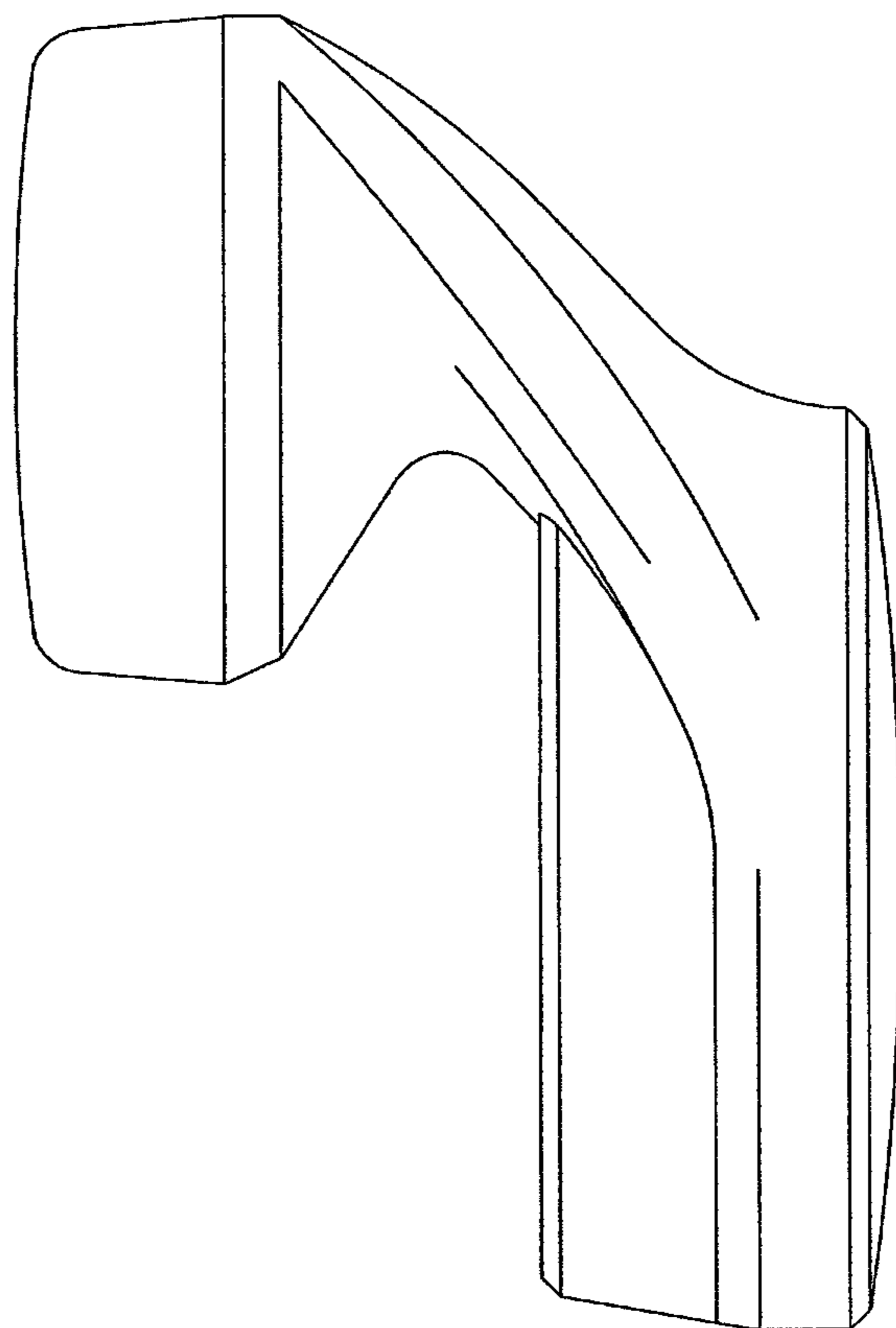


FIG. 6

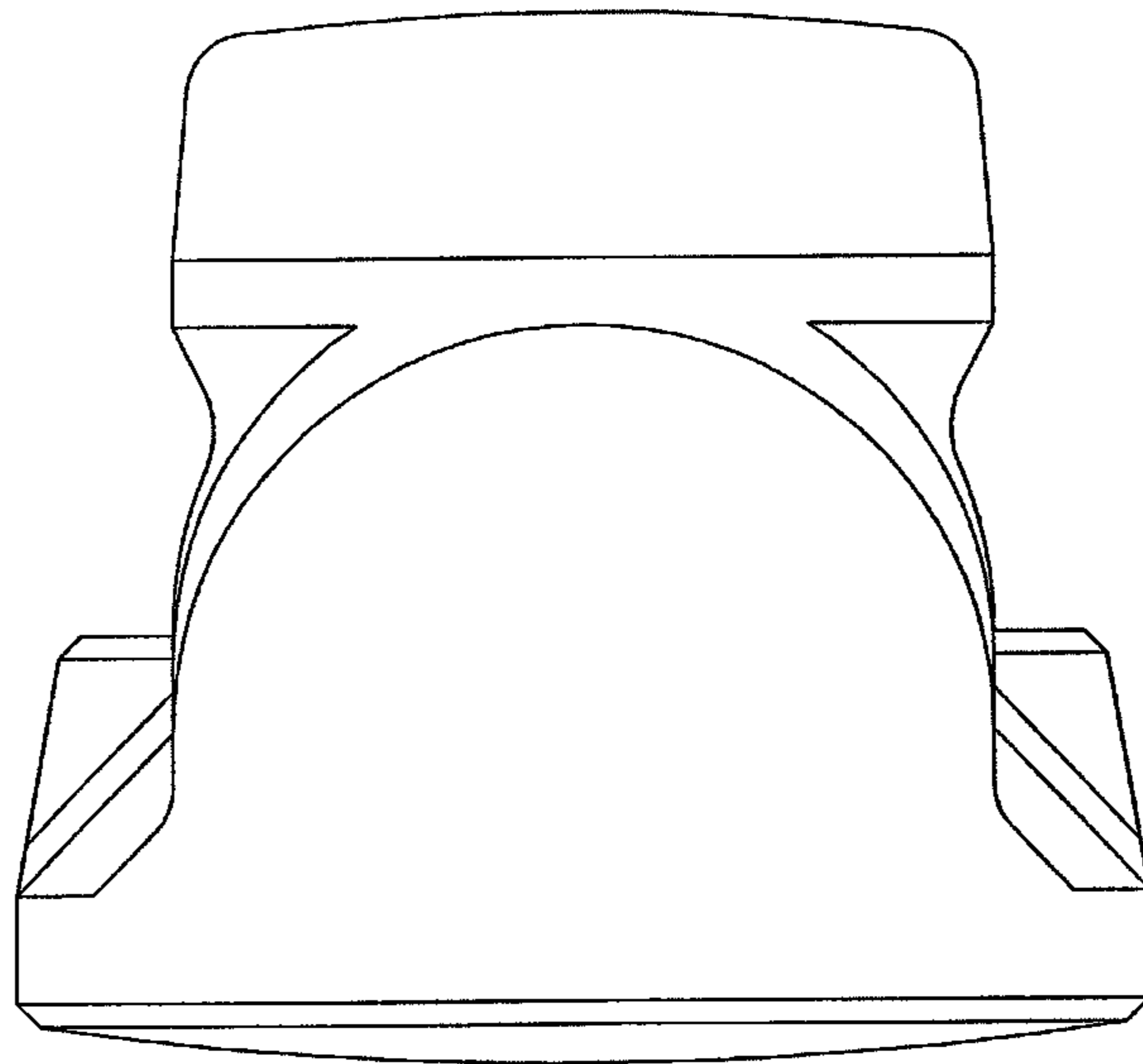


FIG. 7

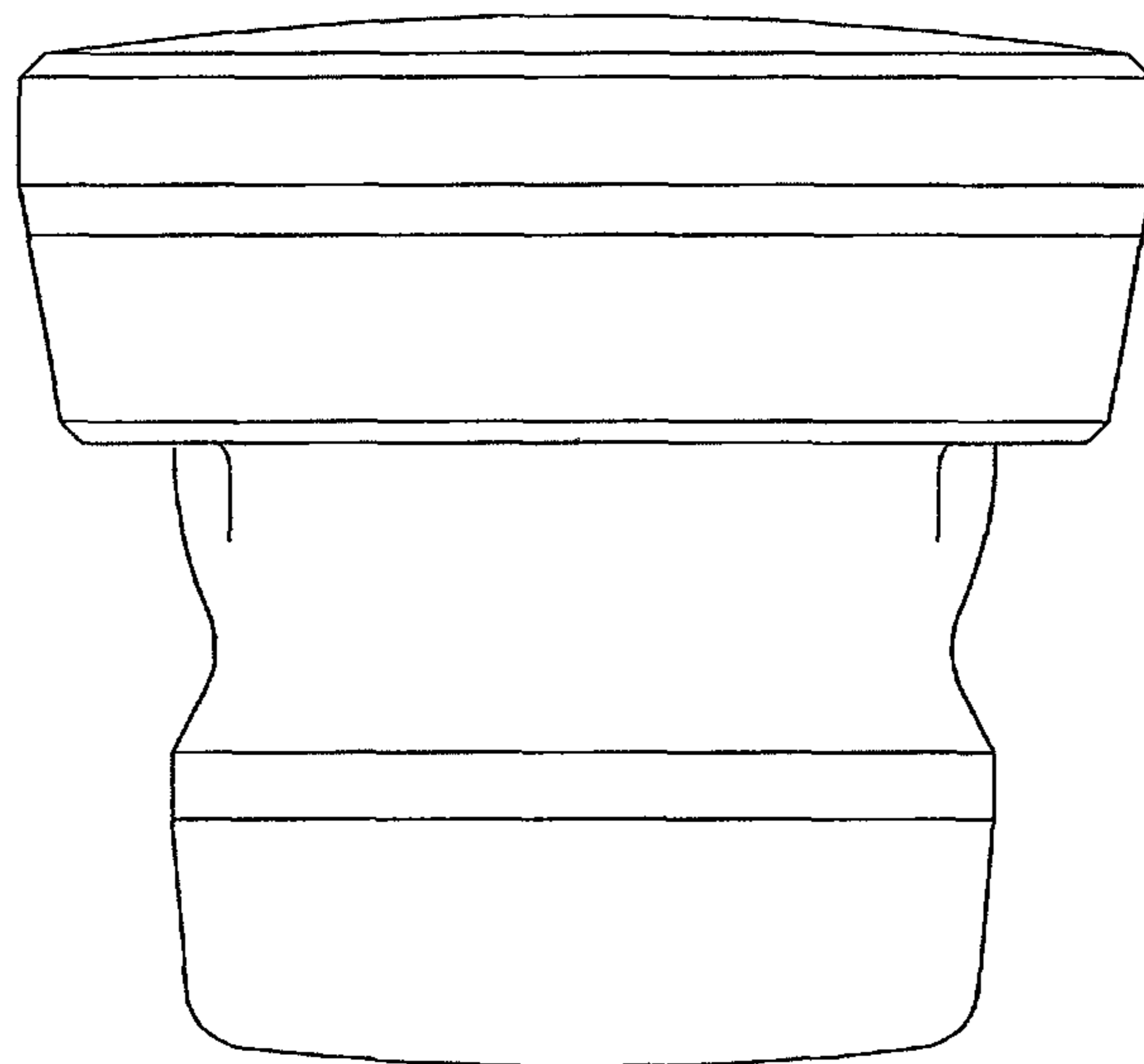
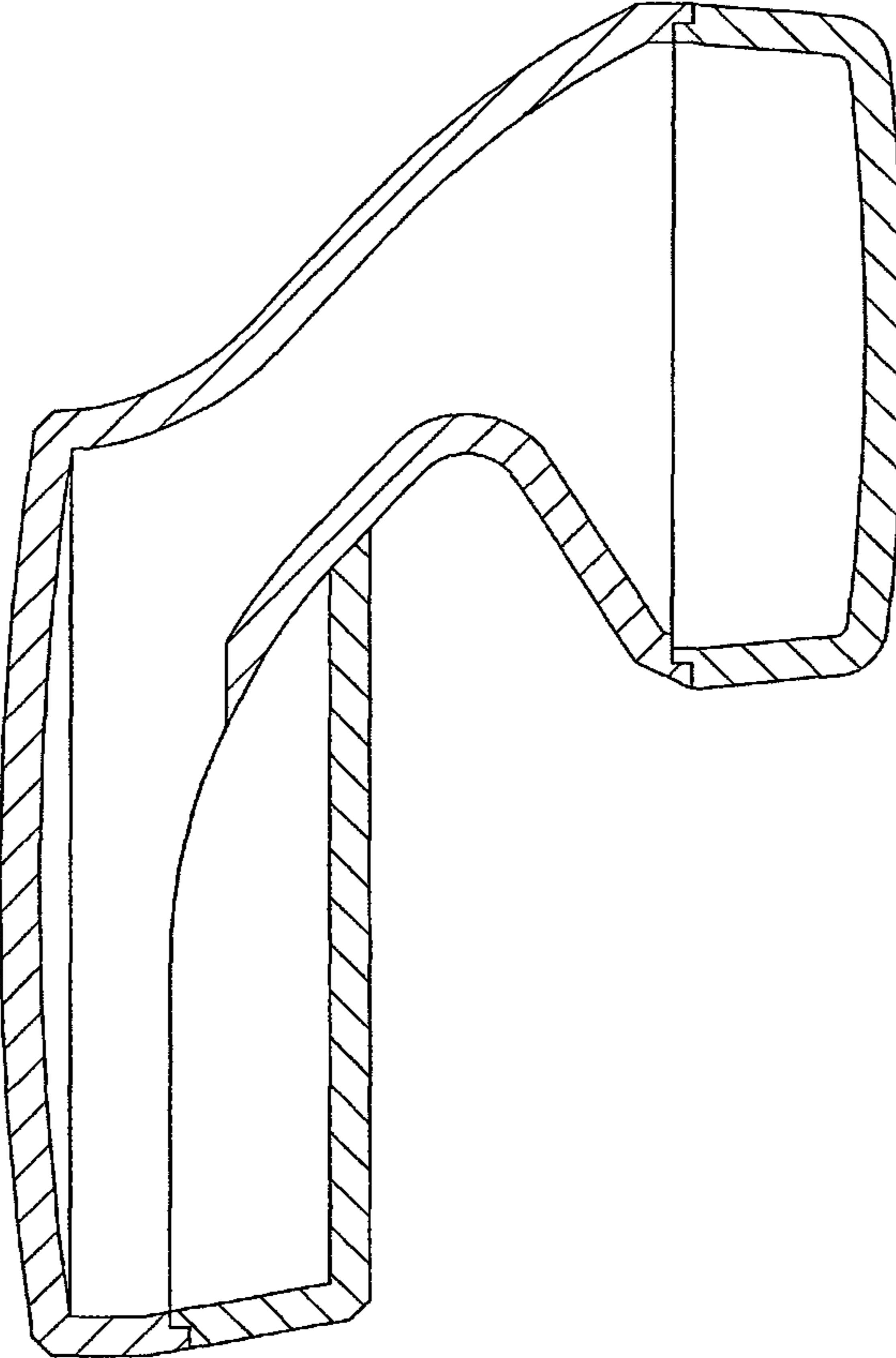




FIG. 8



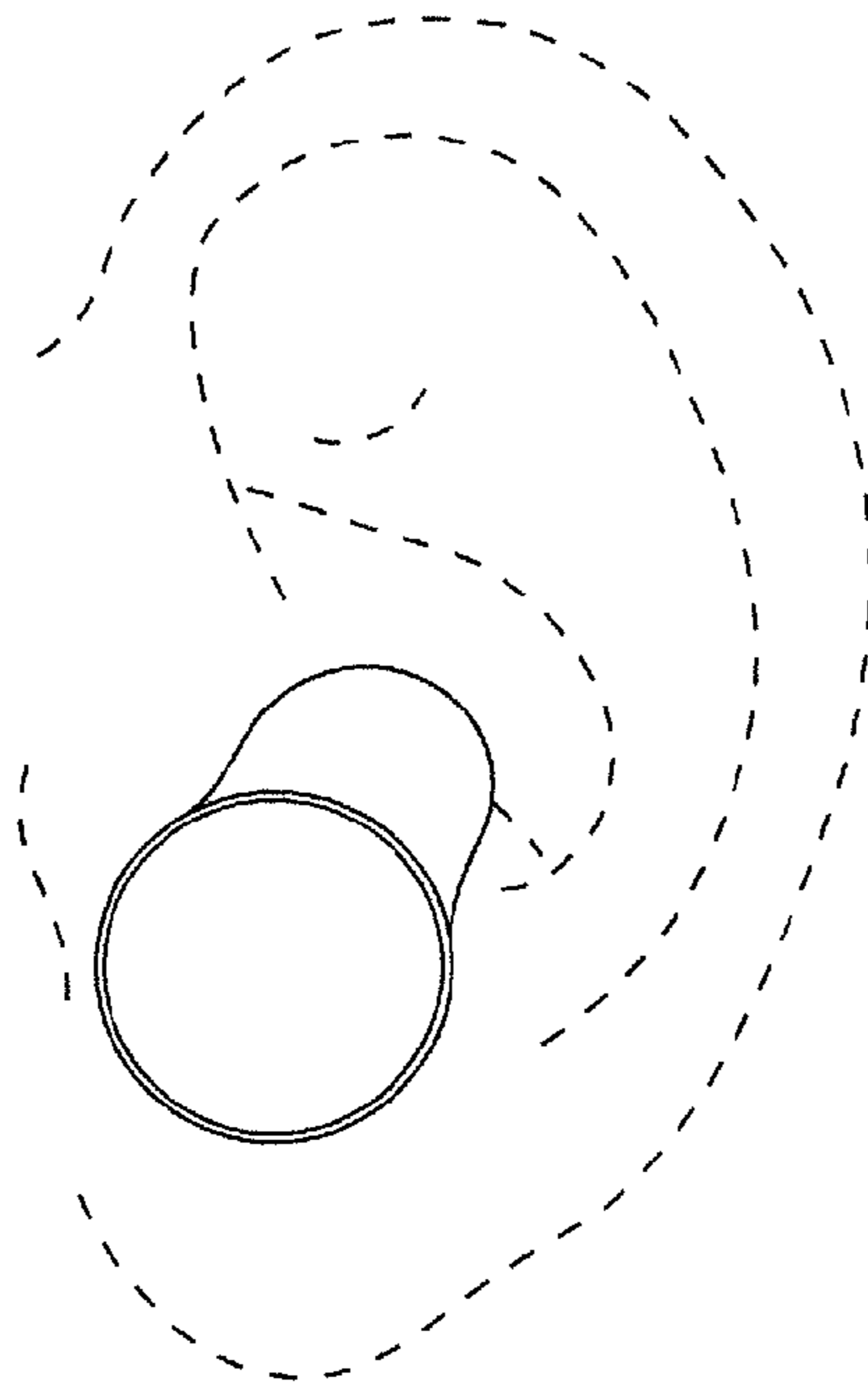


FIG. 9