



US00D698024S

(12) **United States Design Patent**  
**Meinertz**

(10) **Patent No.:** **US D698,024 S**

(45) **Date of Patent:** **\*\* Jan. 21, 2014**

(54) **HEARING AID**

(75) Inventor: **Philip Meinertz**, Gentofte (DK)

(73) Assignee: **GN Resound A/S**, Ballerup (DK)

(\*\*) Term: **14 Years**

(21) Appl. No.: **29/424,612**

(22) Filed: **Jun. 13, 2012**

(30) **Foreign Application Priority Data**

Dec. 16, 2011 (EP) ..... 001964156

(51) **LOC (10) CL.** ..... **24-99**

(52) **U.S. Cl.**  
USPC ..... **D24/174**

(58) **Field of Classification Search**  
USPC ..... D24/173–175, 151; D14/205, 206,  
D14/223–226, 249; 381/23.1, 312,  
381/322–324, 328, 330, 380, 381; 181/135  
See application file for complete search history.

(56) **References Cited**

**U.S. PATENT DOCUMENTS**

D646,788 S \* 10/2011 Dubs et al. .... D24/174  
D667,121 S \* 9/2012 Mori et al. .... D24/174

D670,814 S \* 11/2012 Kwon ..... D24/174  
D676,969 S \* 2/2013 Meinertz ..... D24/174  
D676,970 S \* 2/2013 Mehlsen et al. .... D24/174  
2006/0171550 A1 \* 8/2006 Bryant et al. .... 381/330

\* cited by examiner

*Primary Examiner* — Anhdao Doan

(74) *Attorney, Agent, or Firm* — Vista IP Law Group, LLP

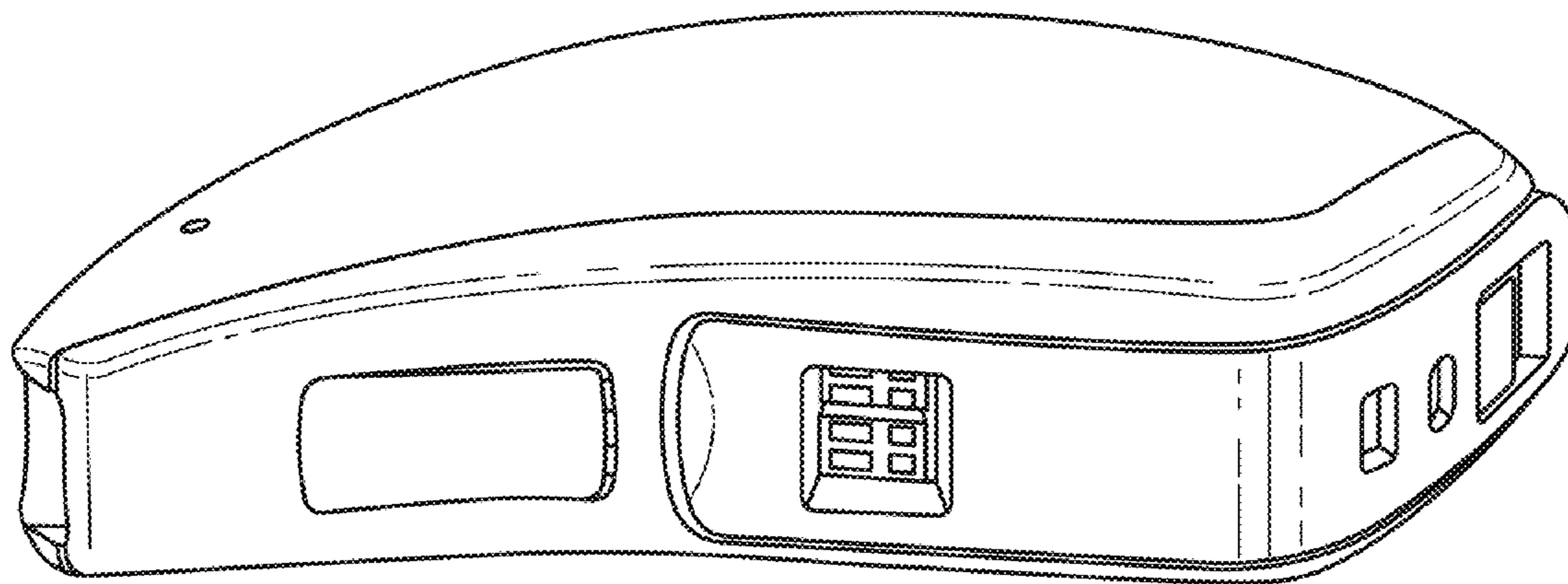
(57) **CLAIM**

The ornamental design for a hearing aid, as shown and described.

**DESCRIPTION**

FIG. 1 is a perspective view of a hearing aid of my design;  
FIG. 2 is side view of the hearing aid of my design;  
FIG. 3 is another side view of the hearing aid of my design;  
FIG. 4 is another perspective view of the hearing aid of my design;  
FIG. 5 is another perspective view of the hearing aid of my design;  
FIG. 6 is another perspective view of the hearing aid of my design; and,  
FIG. 7 is another perspective view of the hearing aid of my design.

**1 Claim, 3 Drawing Sheets**



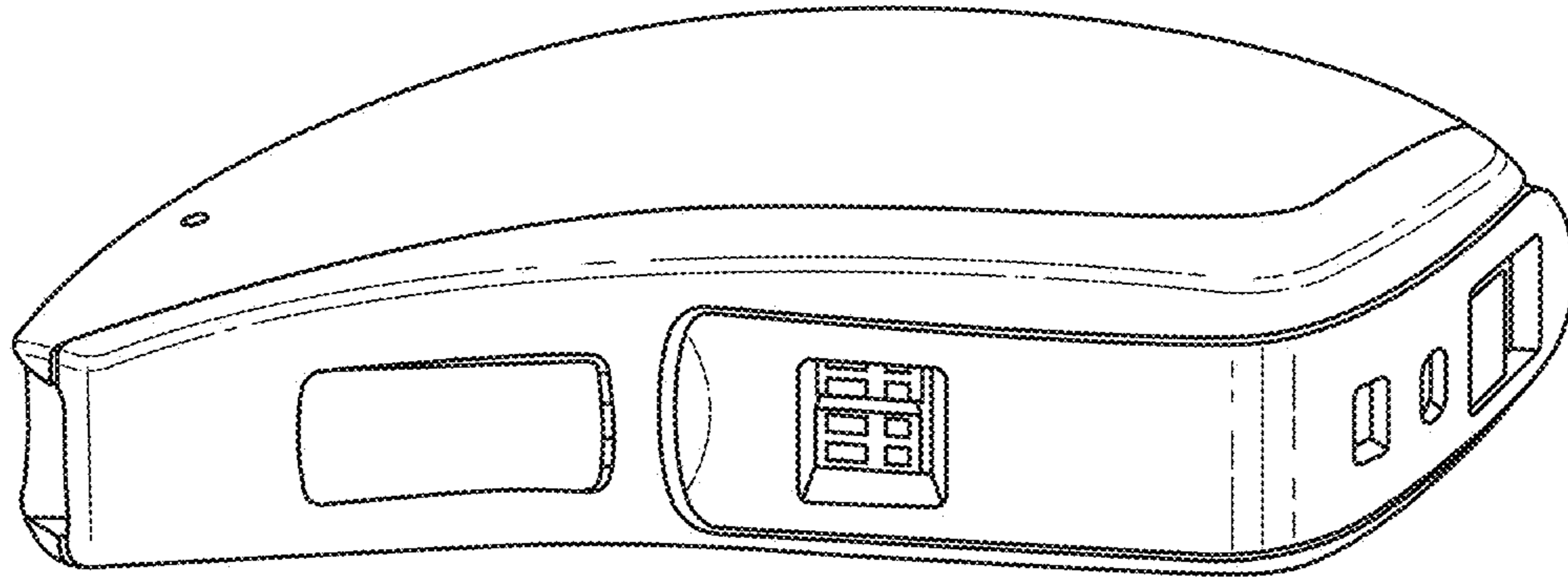


FIG. 1

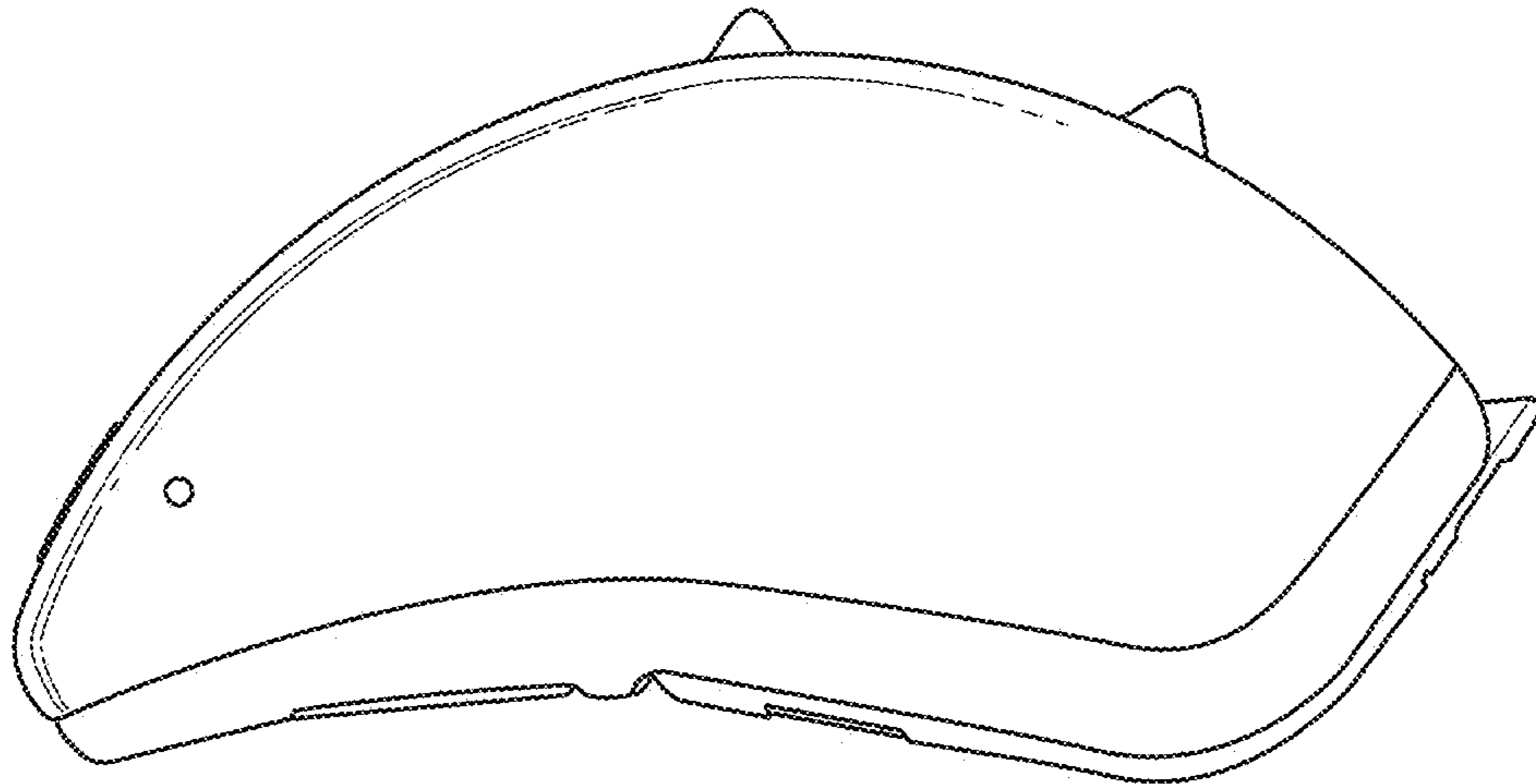


FIG. 2

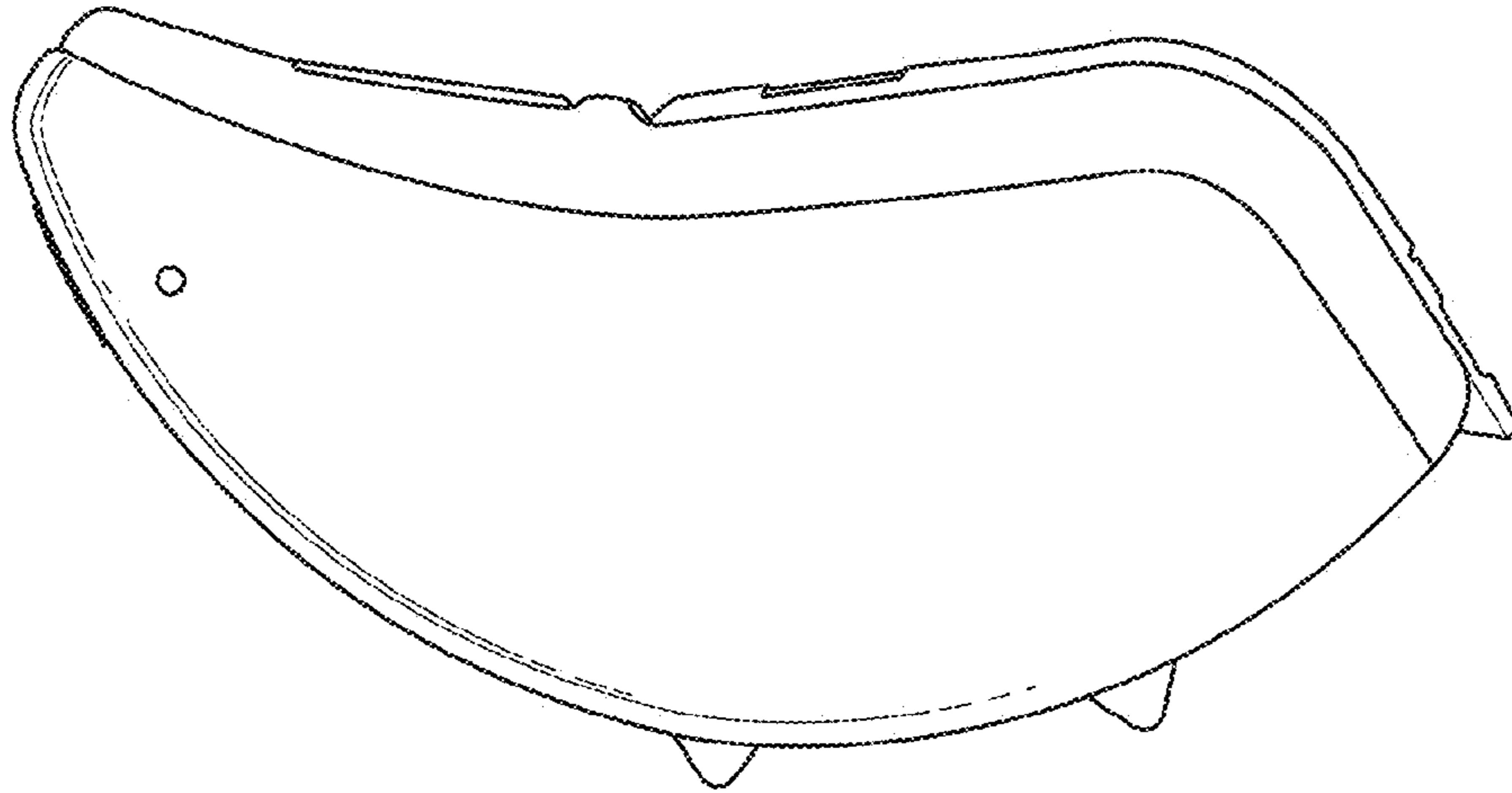


FIG. 3

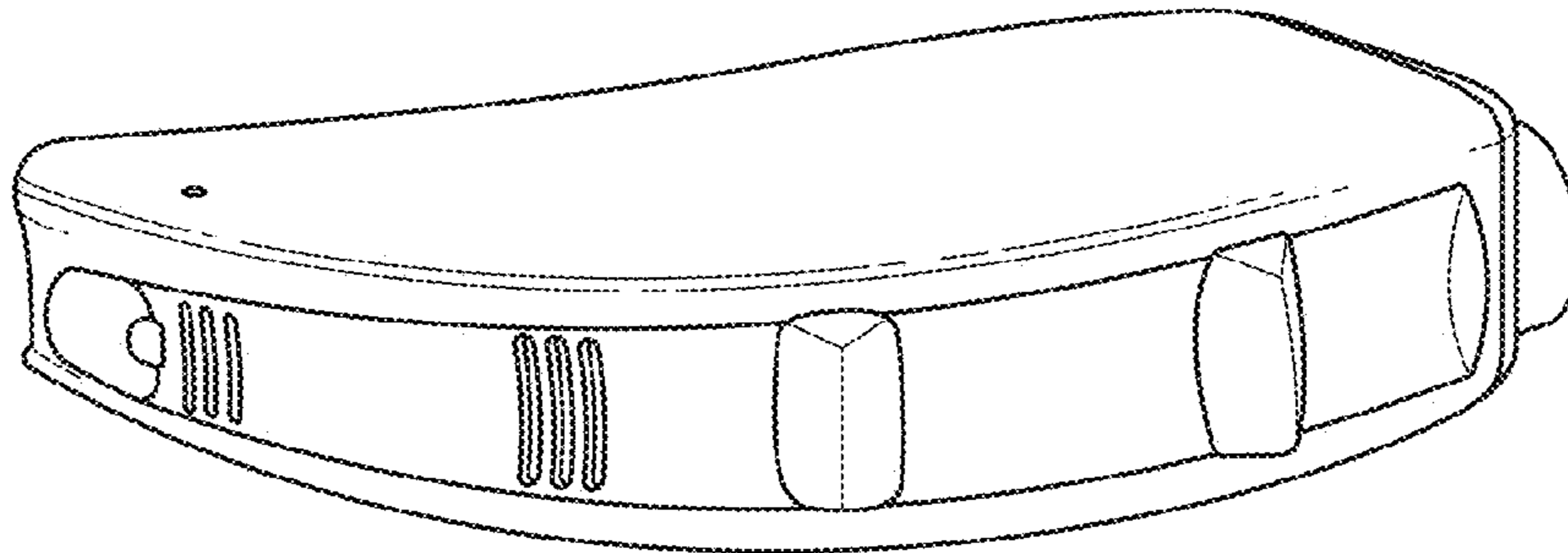


FIG. 4

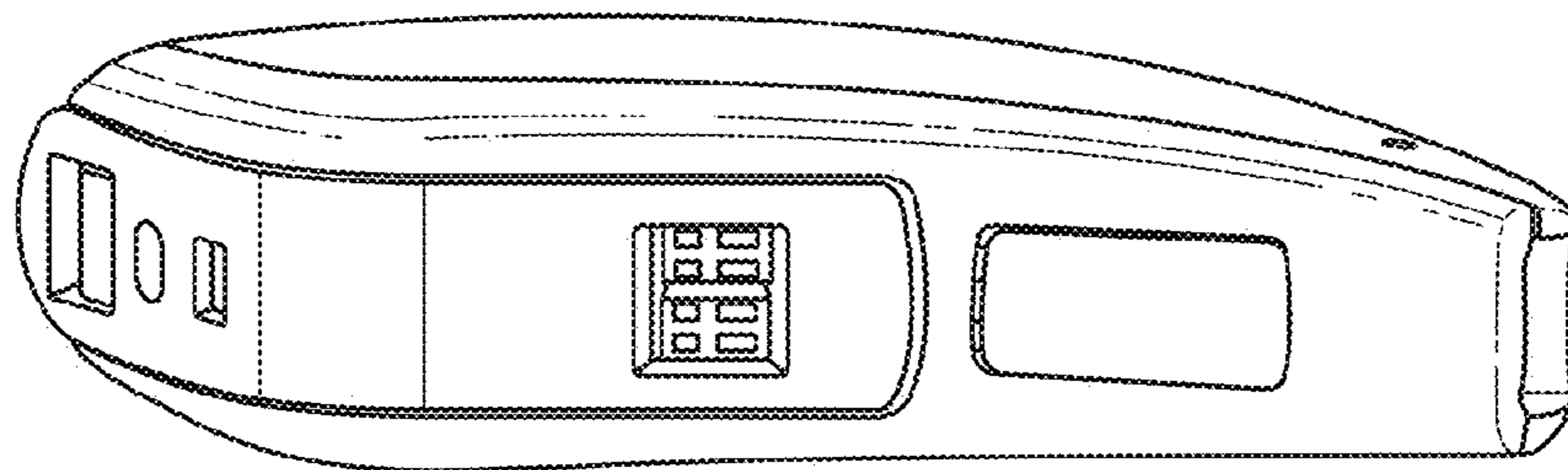


FIG. 5

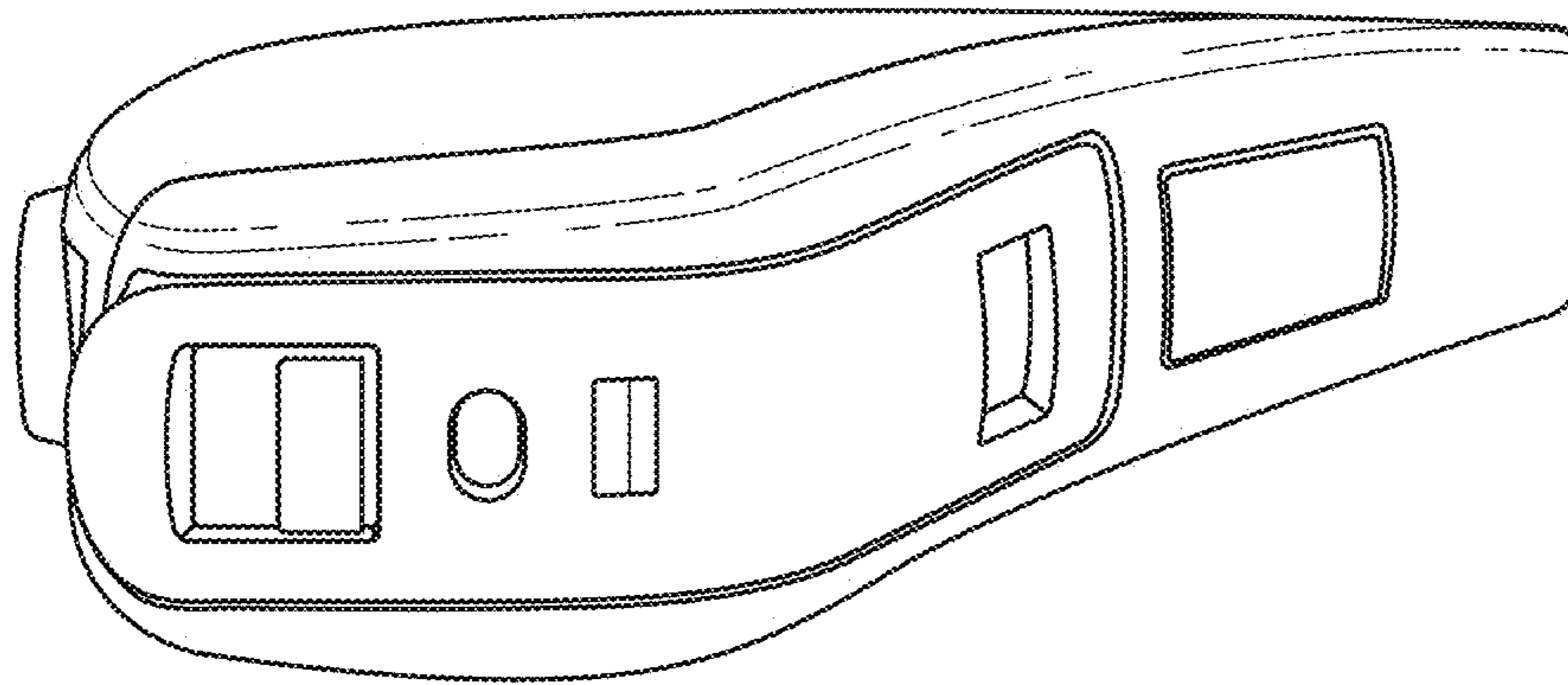


FIG. 6

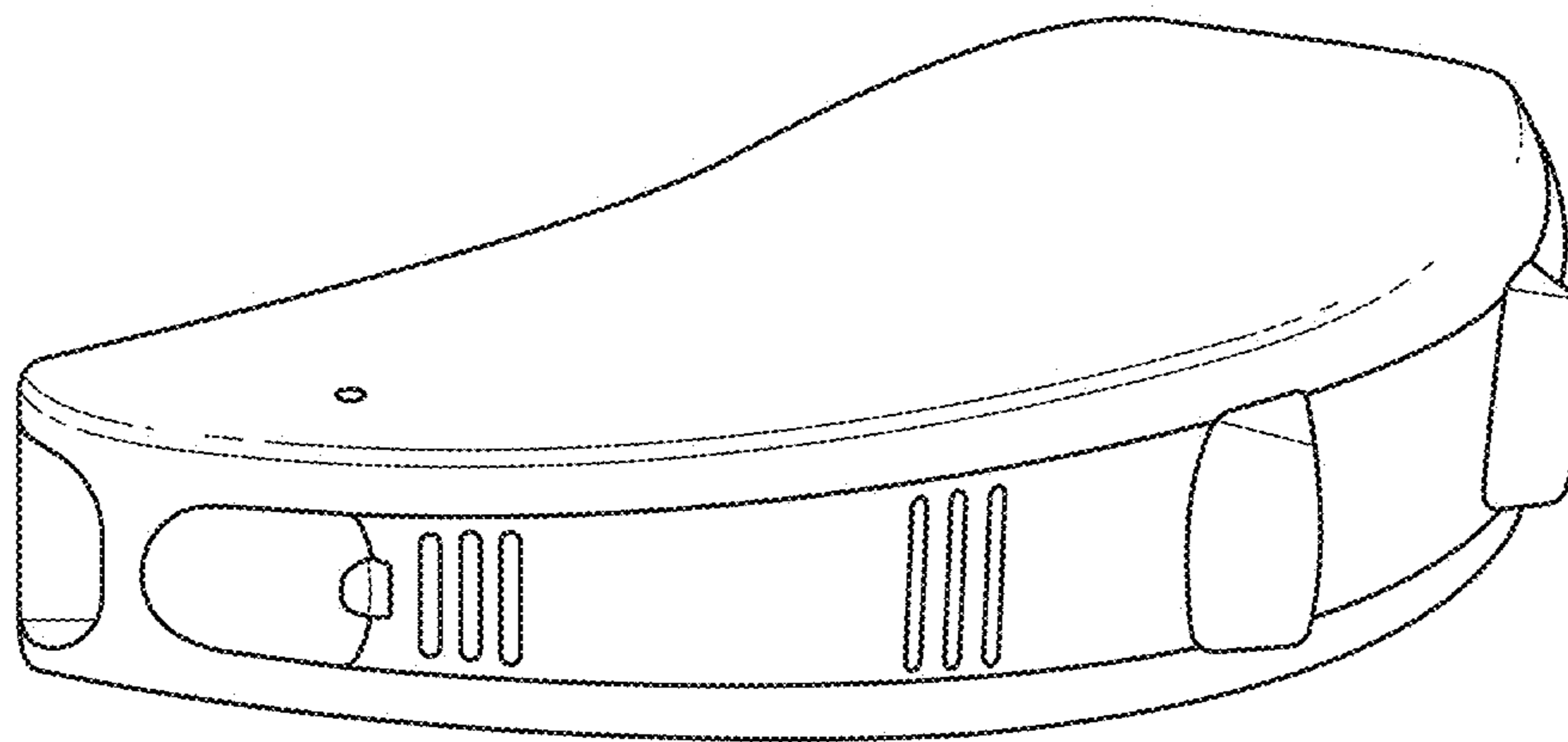


FIG. 7