

US00D698022S

(12) **United States Design Patent**
Flanagan

(10) **Patent No.:** **US D698,022 S**
(45) **Date of Patent:** **** Jan. 21, 2014**

- (54) **HOLDER FOR A DIGITAL DENTAL X-RAY SENSOR**
- (71) Applicant: **DENTSPLY International Inc.**, York, PA (US)
- (72) Inventor: **Thomas A. Flanagan**, Bloomington, MN (US)
- (73) Assignee: **DENTSPLY International Inc.**, York, PA (US)
- (**) Term: **14 Years**
- (21) Appl. No.: **29/456,280**
- (22) Filed: **May 30, 2013**
- (51) **LOC (10) Cl.** **24-01**
- (52) **U.S. Cl.**
USPC **D24/161**
- (58) **Field of Classification Search**
USPC D24/158-161, 185, 186, 152, 176, 177;
D8/394, 396; 378/38-40, 169-170,
378/177, 180, 191, 205
See application file for complete search history.

(56) **References Cited**

U.S. PATENT DOCUMENTS

1,974,936 A	6/1934	Vloch	
2,274,808 A	3/1942	Rinn	
3,936,643 A	2/1976	Toner	
4,075,494 A	2/1978	Jermyn	
4,365,162 A	12/1982	Jarby	
D276,648 S *	12/1984	Stevenson	D24/161
4,489,427 A *	12/1984	Allison et al.	378/170
4,913,288 A	4/1990	Tanaka	
4,916,724 A *	4/1990	Kilber	378/167
5,001,738 A	3/1991	Brooks	
D330,254 S *	10/1992	Brooks	D24/161
D330,423 S *	10/1992	Kilber	D24/156
5,416,822 A	5/1995	Kunik	

5,422,927 A	6/1995	Schmitz	
5,450,465 A	9/1995	Tanaka	
5,677,537 A	10/1997	Pfeiffer	
D406,892 S *	3/1999	Warren	D24/161
6,461,038 B2 *	10/2002	Pellegrini et al.	378/191
6,520,676 B1 *	2/2003	Schmitz	378/191
6,905,244 B2	6/2005	Kilcher et al.	
6,950,496 B2	9/2005	Zimmermann et al.	
6,974,253 B2	12/2005	Ihalainen	
7,140,770 B2	11/2006	Westerlund	
7,425,095 B2	9/2008	Schmulenson et al.	
7,486,767 B2	2/2009	Sonobe et al.	
7,517,148 B2	4/2009	Ceisel et al.	
7,819,579 B2	10/2010	Schmulenson et al.	
7,871,199 B2	1/2011	Szommer	
7,945,013 B2	5/2011	Goto et al.	
7,945,016 B2	5/2011	Bothorel et al.	
7,959,355 B2 *	6/2011	Stantchev	378/191
8,142,074 B2	3/2012	Schmulenson et al.	
8,333,507 B2	12/2012	Schmulenson et al.	
2009/0168969 A1 *	7/2009	Schmulenson et al.	378/170

* cited by examiner

Primary Examiner — Ahndao Doan

(74) *Attorney, Agent, or Firm* — Douglas J. Hura; Leana Levin; David A. Zdurne

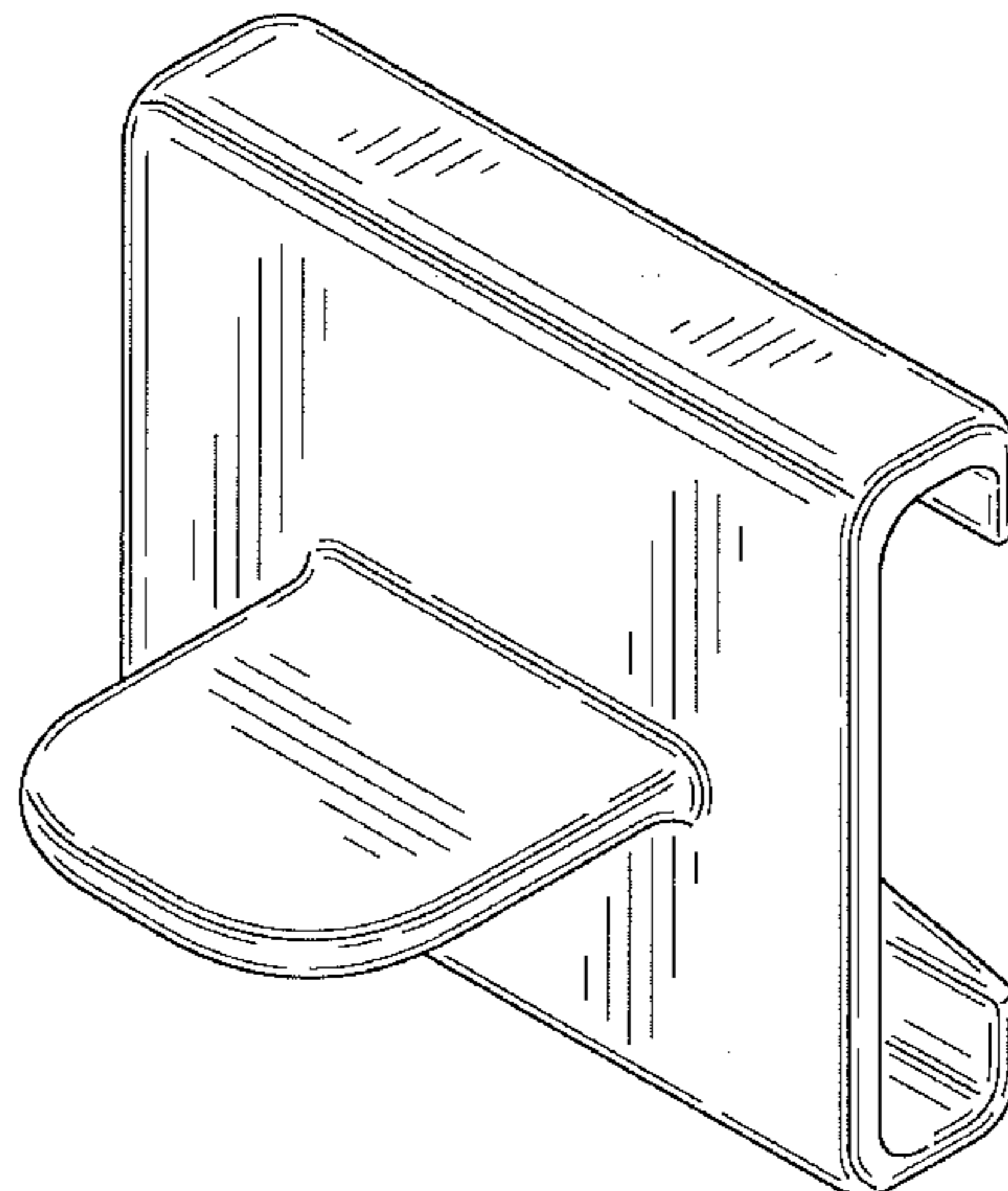
(57) **CLAIM**

The ornamental design for a holder for a digital dental x-ray sensor, as shown and described.

DESCRIPTION

FIG. 1 is front perspective view of a holder for a digital dental x-ray sensor showing our new design; FIG. 2 is a front elevational view thereof; FIG. 3 is a rear elevational view thereof; FIG. 4 is a side elevational view thereof; FIG. 5 is another side elevational view thereof; FIG. 6 is a bottom plan view thereof; and, FIG. 7 is a top plan view thereof.

1 Claim, 4 Drawing Sheets



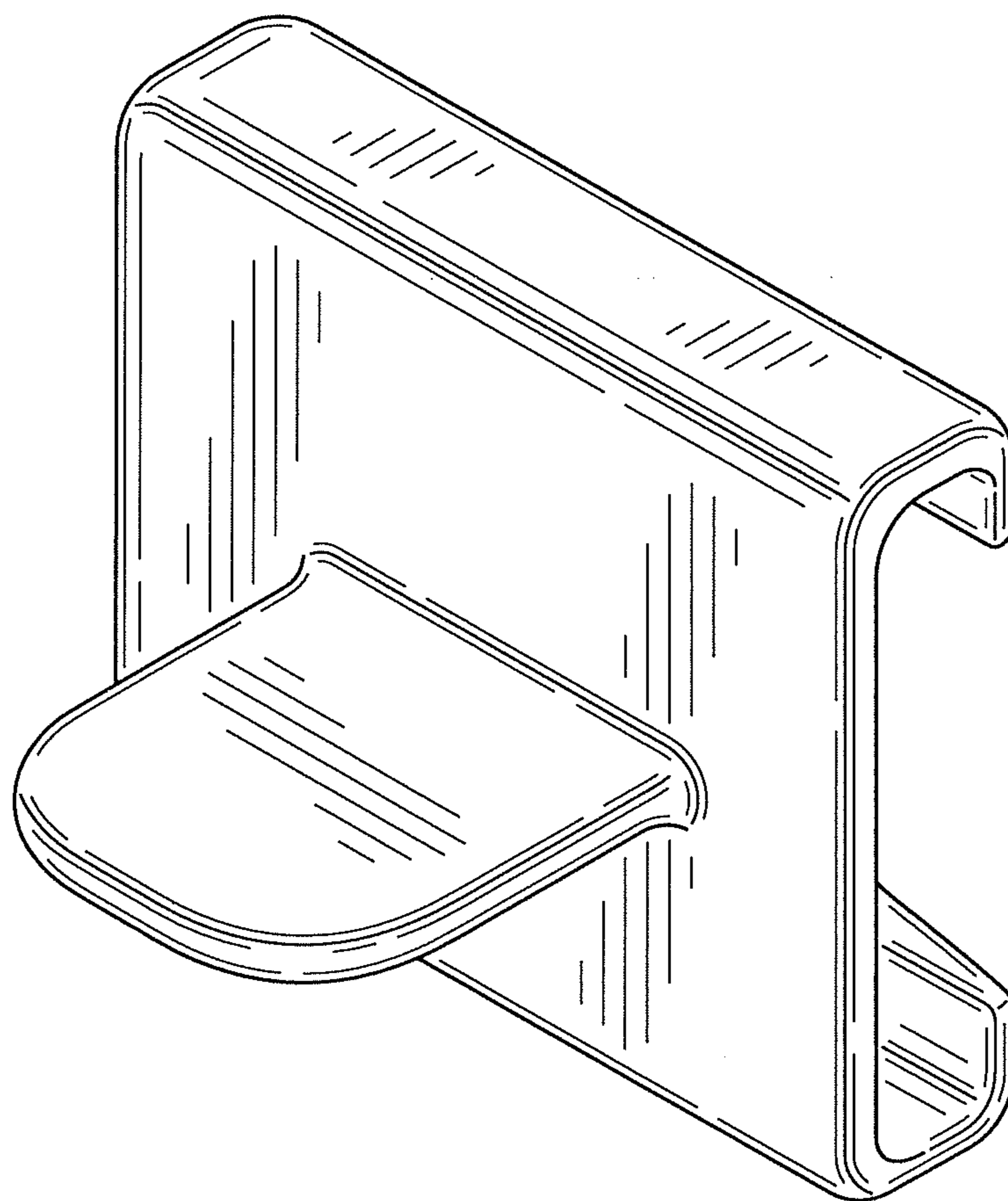


FIG. 1

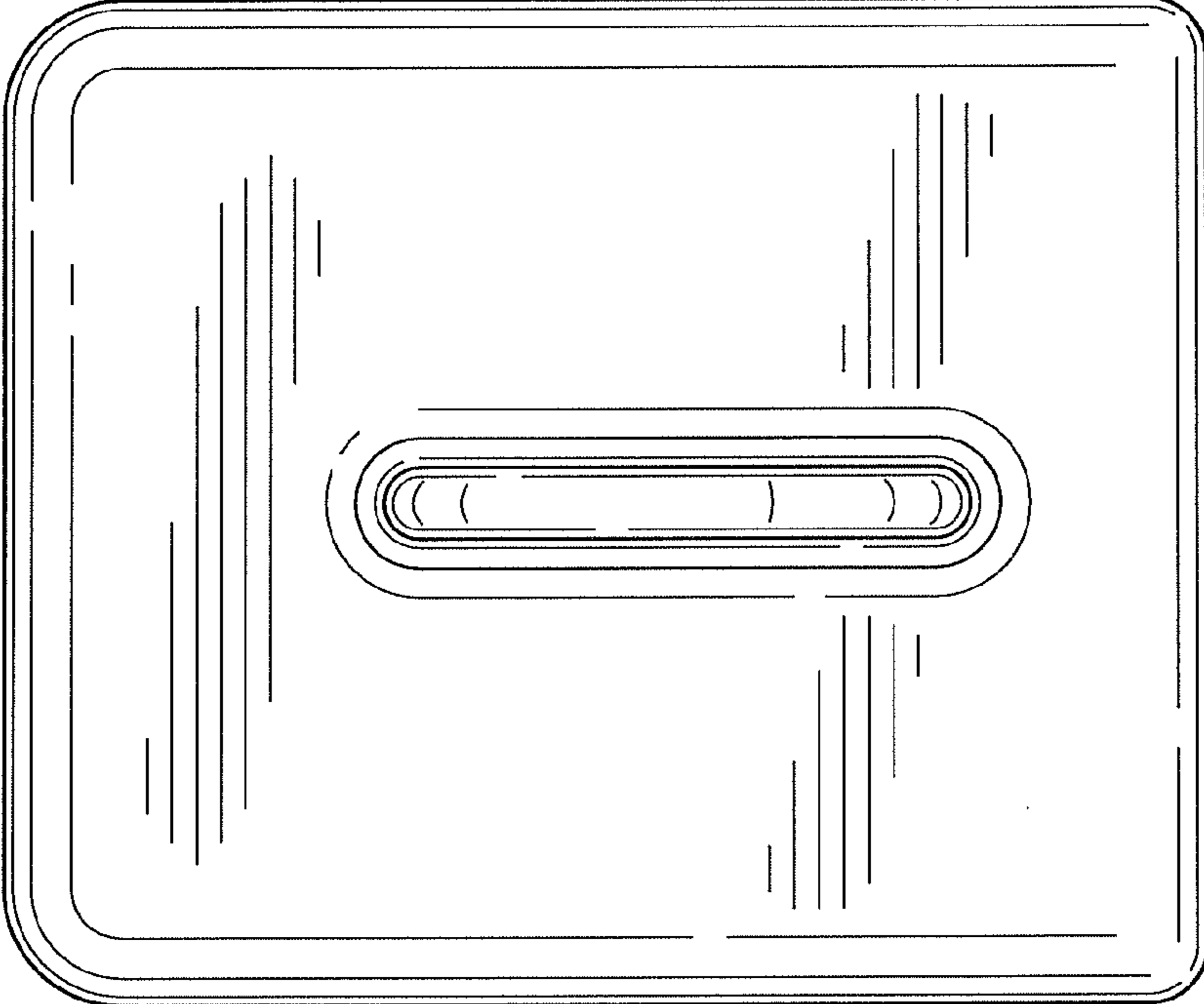


FIG. 2

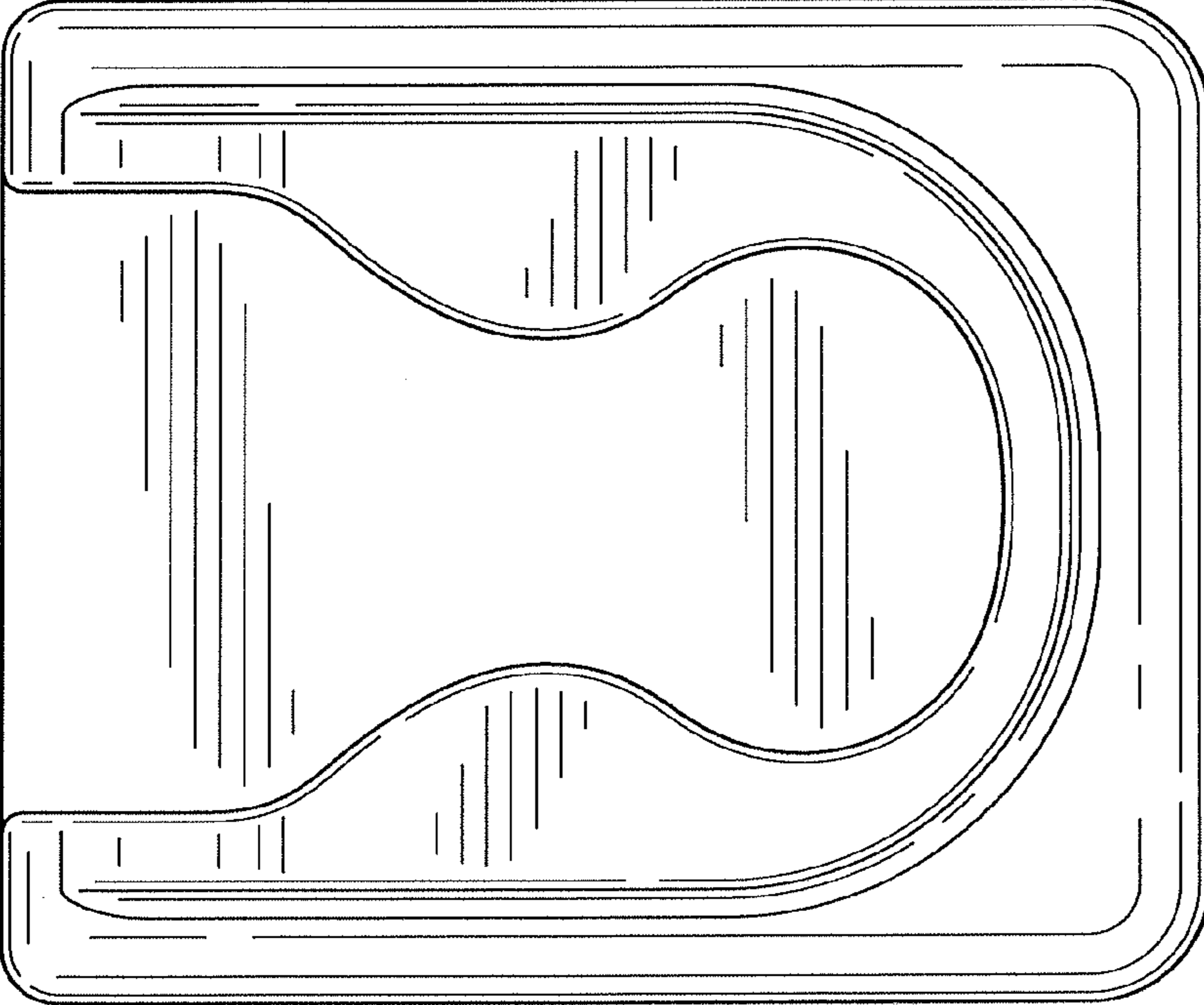


FIG. 3

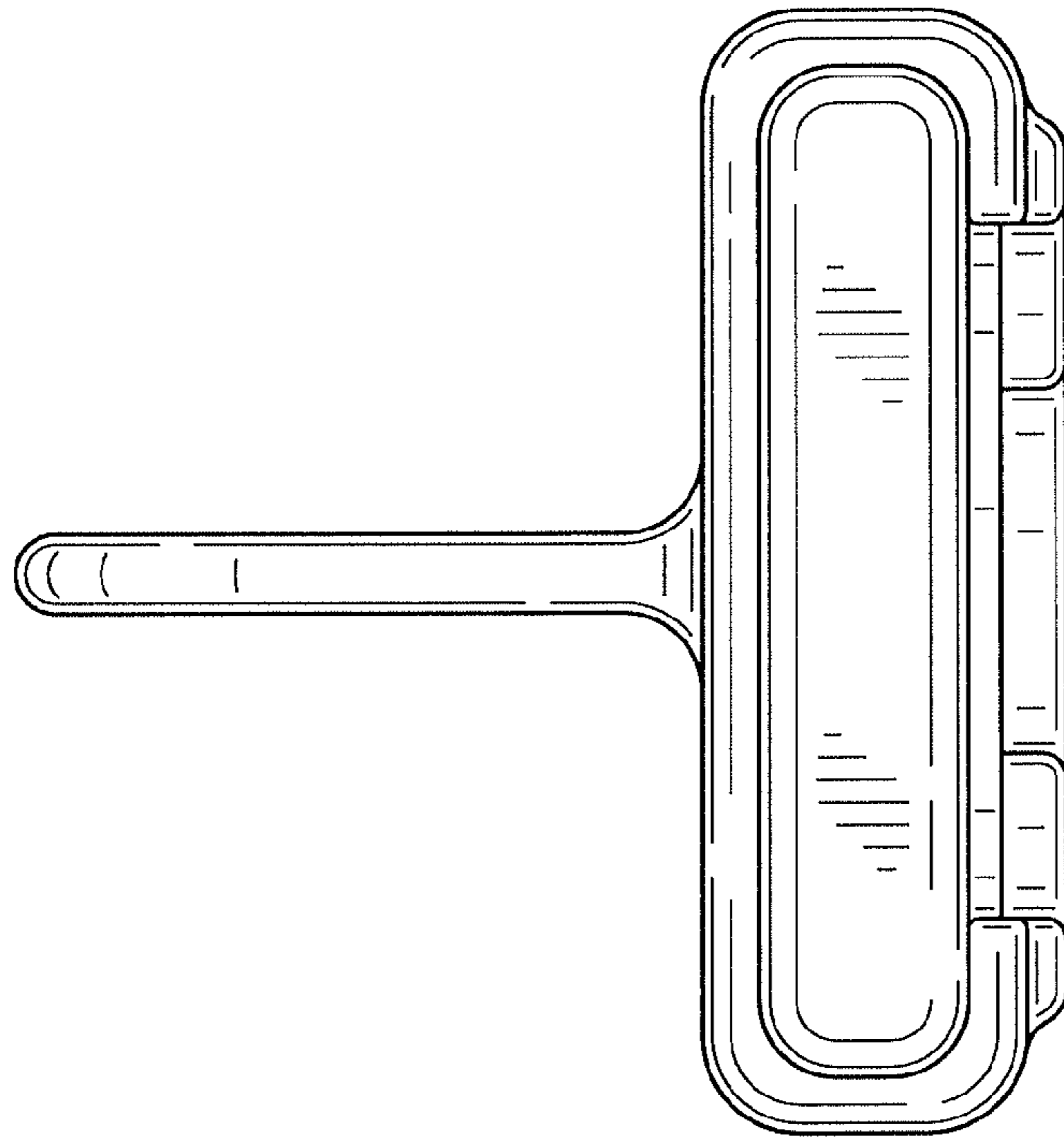


FIG. 4

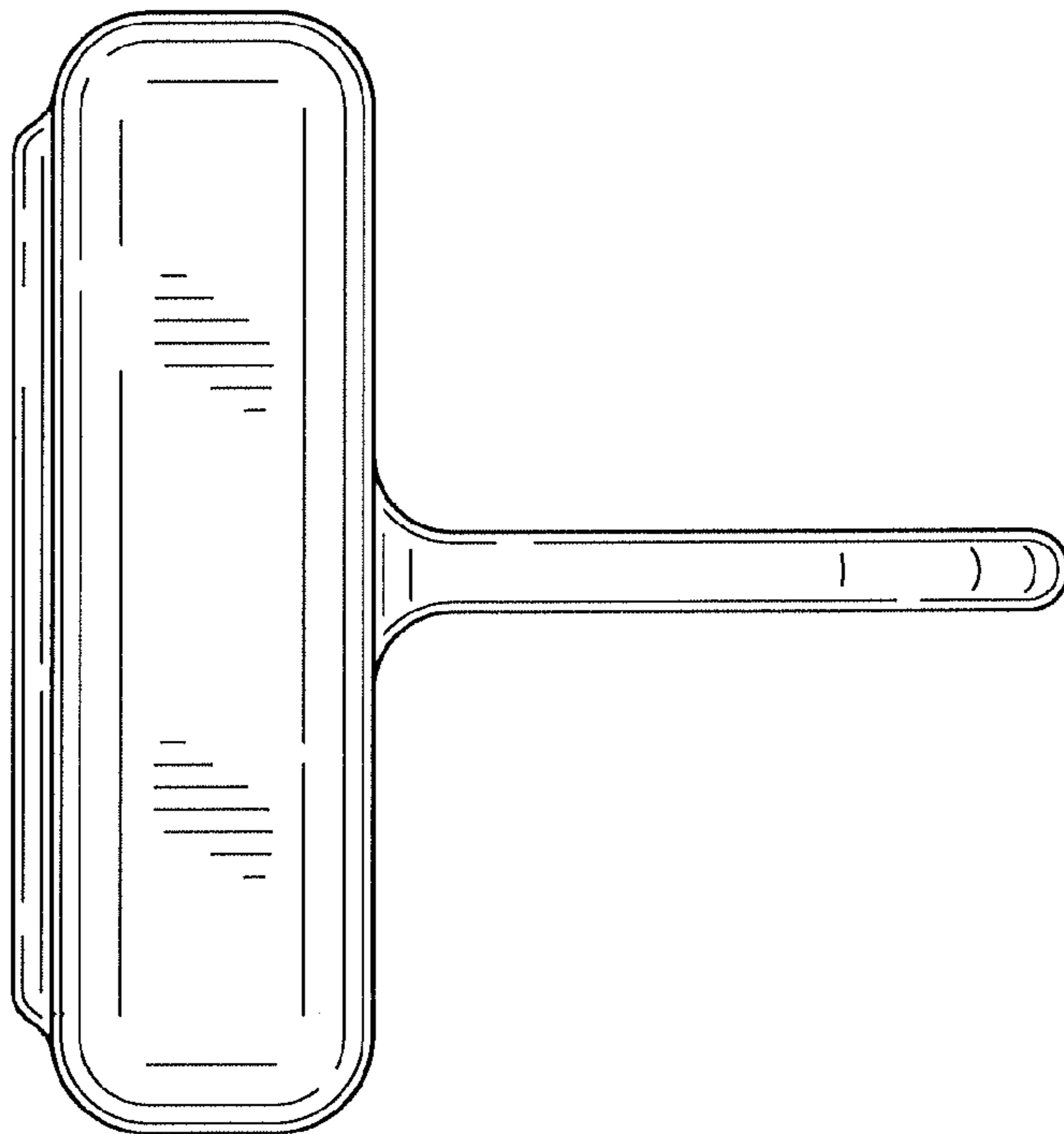


FIG. 5

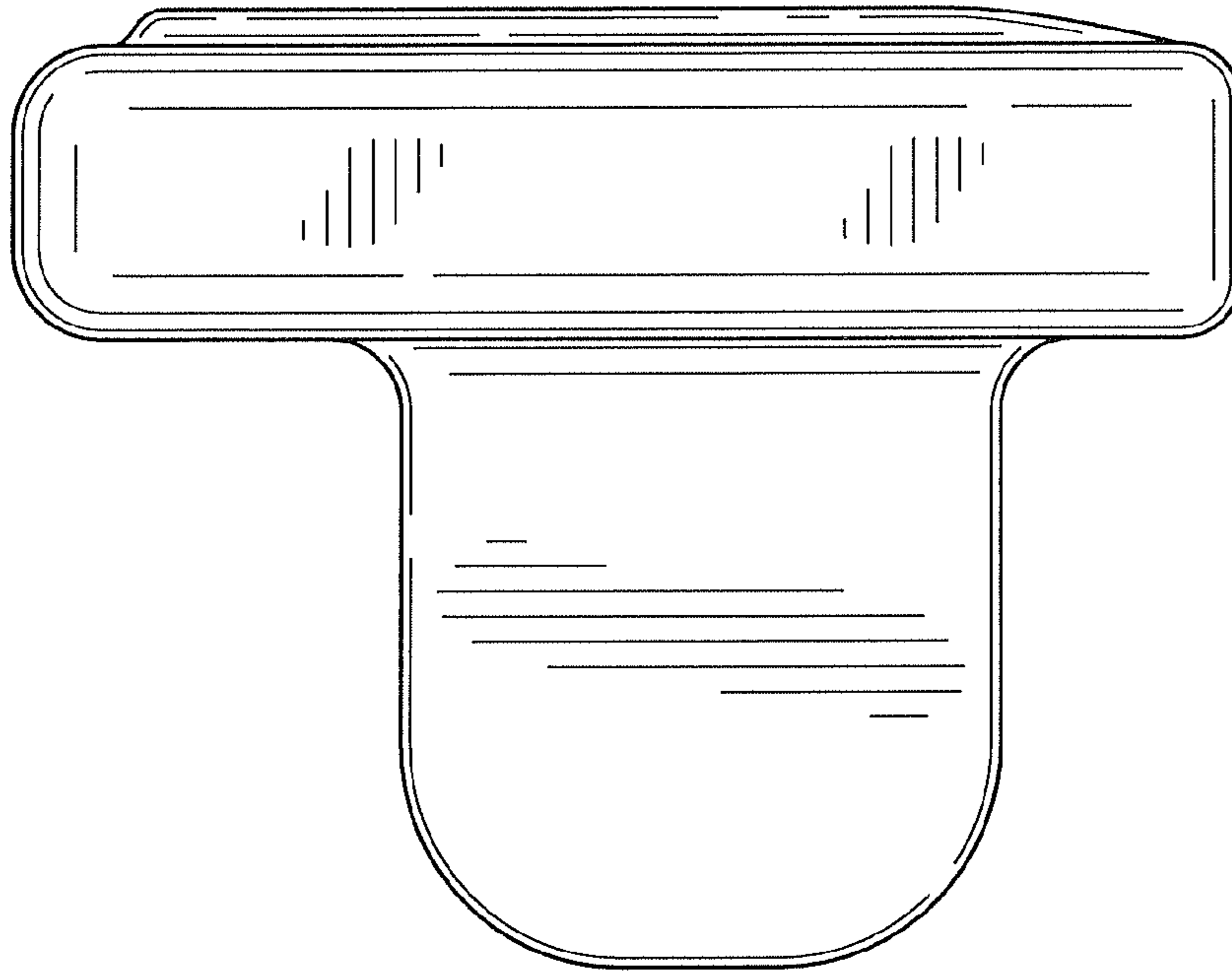


FIG. 6

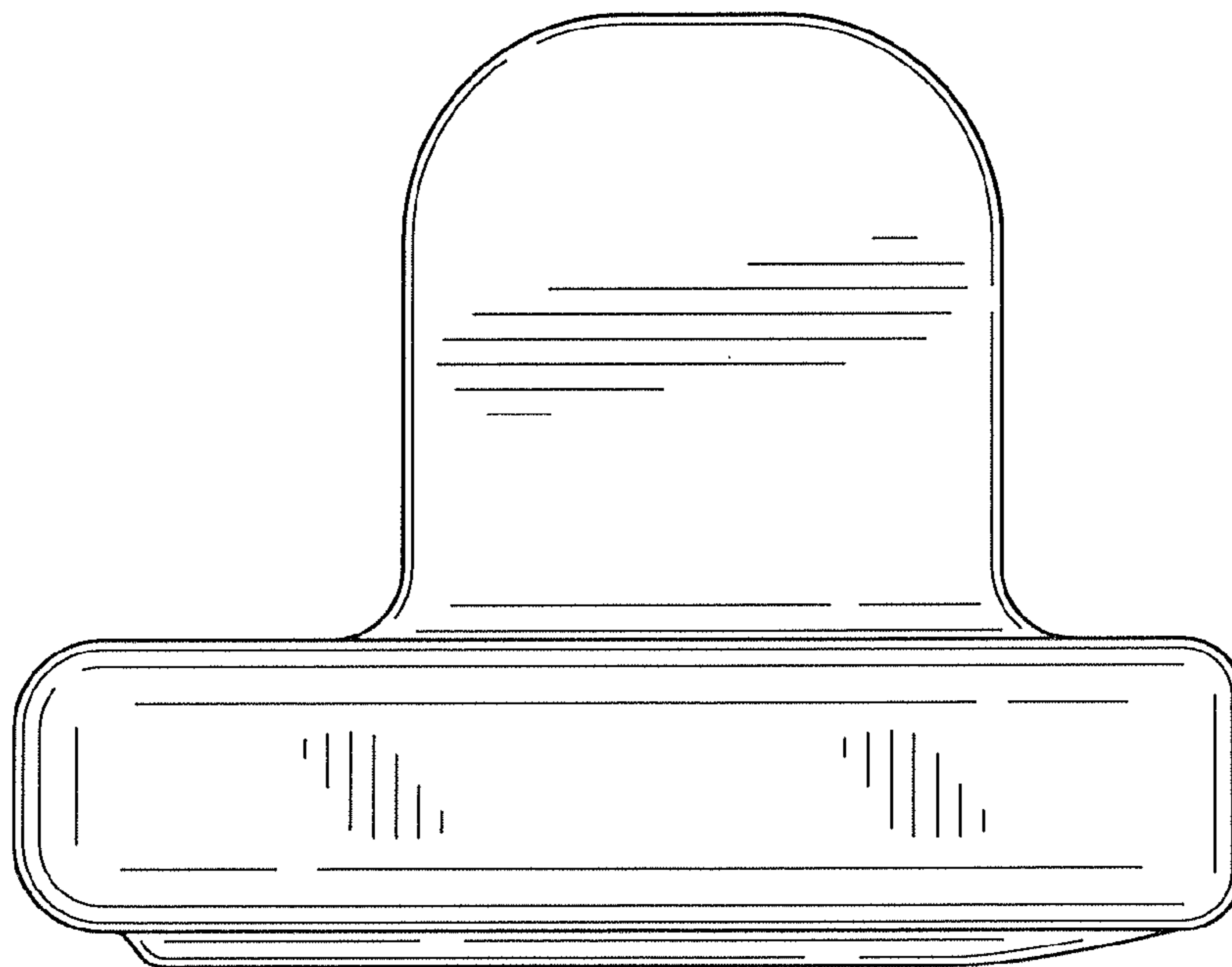


FIG. 7