



US00D698020S

(12) **United States Design Patent**
Takemoto

(10) **Patent No.:** **US D698,020 S**
(45) **Date of Patent:** **** Jan. 21, 2014**

(54) **PORTION OF A MEDICAL SYRINGE WITH NEEDLE**

(75) Inventor: **Masafumi Takemoto**, Minami-Alps (JP)

(73) Assignee: **Terumo Kabushiki Kaisha**, Tokyo (JP)

(**) Term: **14 Years**

(21) Appl. No.: **29/391,802**

(22) Filed: **May 13, 2011**

(30) **Foreign Application Priority Data**

May 2, 2011 (JP) 2011-010172
May 2, 2011 (JP) 2011-010173
May 2, 2011 (JP) 2011-010174

(51) **LOC (10) Cl.** **24-02**

(52) **U.S. Cl.**
USPC **D24/130**

(58) **Field of Classification Search**

USPC D24/112-114, 127-131, 133, 186, 146,
D24/147; 606/162, 180, 181, 185; 604/264,
604/272, 115, 1, 2, 19, 3, 309, 73, 540, 232,
604/187, 158, 164.08, 192, 263, 163, 181,
604/184, 198, 227; 600/572, 101, 139, 143;
128/200.24, 207.14, 207.151; 132/317;
401/196

See application file for complete search history.

(56) **References Cited**

U.S. PATENT DOCUMENTS

D377,687 S * 1/1997 Udovch D24/114
D405,882 S * 2/1999 Yale D24/112
D412,206 S * 7/1999 Basile et al. D24/130
D473,305 S * 4/2003 Halseth D24/129
D476,417 S * 6/2003 Swenson et al. D24/130
6,629,962 B2 * 10/2003 Correa et al. 604/272
D487,149 S * 2/2004 Farris D24/130

(Continued)

OTHER PUBLICATIONS

“Prefilled Syringes: Innovations that meet the growing demand,”
issued by ONdrugDelivery Ltd., published 2005 (5 pages).

(Continued)

Primary Examiner — David Muller

(74) *Attorney, Agent, or Firm* — Fitch, Even, Tabin &
Flannery, LLP

(57) **CLAIM**

The ornamental design for a portion of a medical syringe with
needle, as shown and described.

DESCRIPTION

FIG. 1 is a rear, top and right side perspective view of a portion
of a medical syringe with needle, showing my new design;

FIG. 2 is an enlarged fragmented view thereof, taken along
the line 2-2 in FIG. 1;

FIG. 3 is a front elevational view thereof; the opposite side
being a mirror image thereof;

FIG. 4 is a top plan view thereof;

FIG. 5 is a bottom plan view thereof;

FIG. 6 is a left side elevational view thereof;

FIG. 7 is a right side elevational view thereof;

FIG. 8 is an enlarged fragmented cross sectional view thereof,
taken along the line 8-8 in FIG. 3;

FIG. 9 is a cross sectional view thereof, taken along the line
9-9 in FIG. 7;

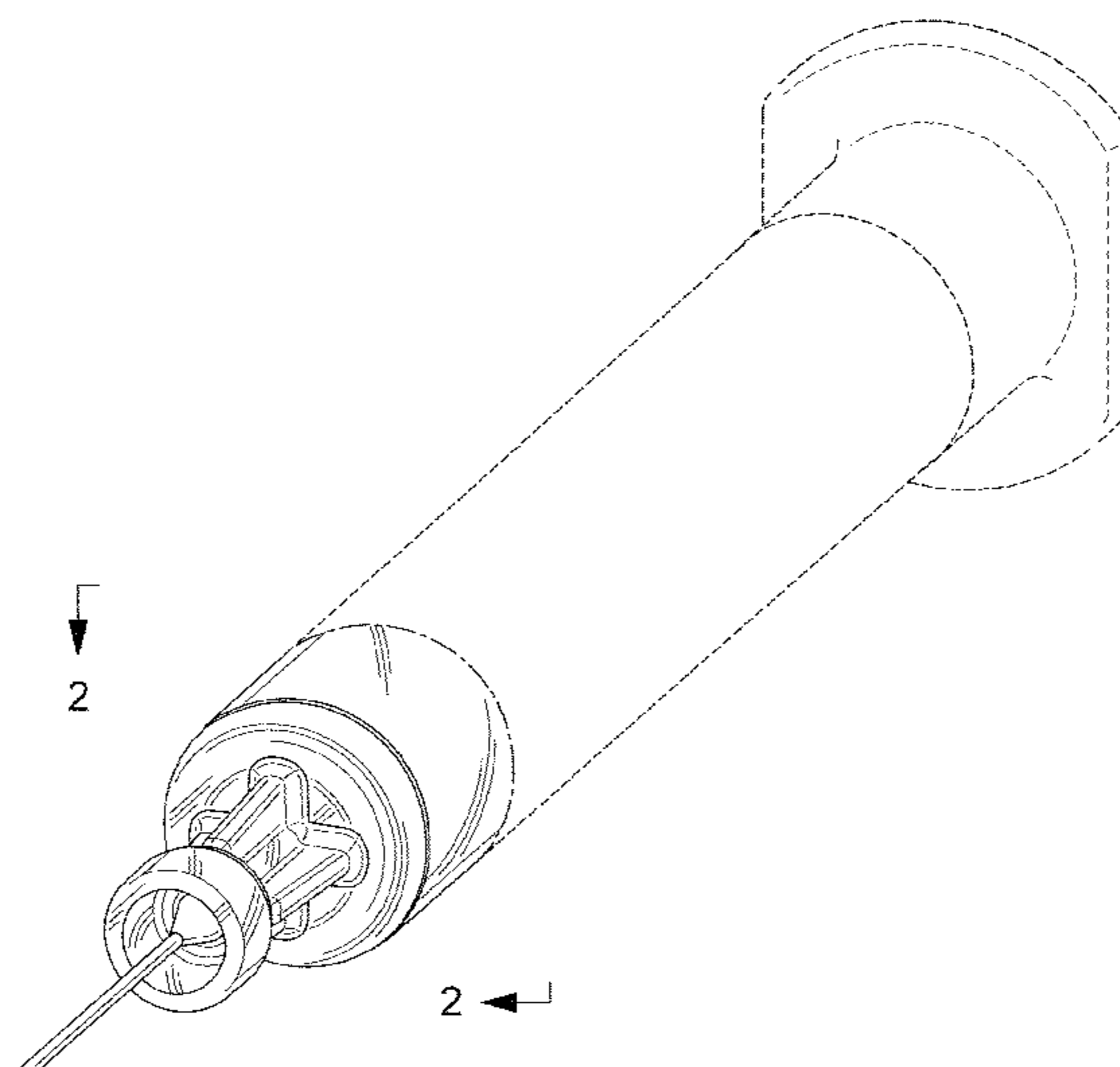
FIG. 10 is a cross sectional view thereof, taken along the line
10-10 in FIG. 7;

FIG. 11 is an enlarged fragmented view thereof, taken along
the line 11-11 in FIG. 9; and,

FIG. 12 is an enlarged fragmented view thereof, taken along
the line 12-12 in FIG. 10.

The dash and dotted lines immediately adjacent the shaded
areas represent the bounds of the claimed design while all
other broken lines are directed to environment only; the bro-
ken lines from no part of the claimed design.

1 Claim, 10 Drawing Sheets



(56)

References Cited

OTHER PUBLICATIONS

U.S. PATENT DOCUMENTS

D492,404 S * 6/2004 Prais et al. D24/112
D558,340 S * 12/2007 Hochman et al. D24/130
7,418,880 B1 * 9/2008 Smith D24/114
D585,983 S * 2/2009 Wang D24/114
D588,693 S * 3/2009 Strong et al. D24/129
D635,249 S * 3/2011 Becker D24/114

European Community Design Registration No. 001118905-0001,
published on May 14, 2009 from the Trade Marks and Designs
Registration Office of the European Union (2 pages).

* cited by examiner

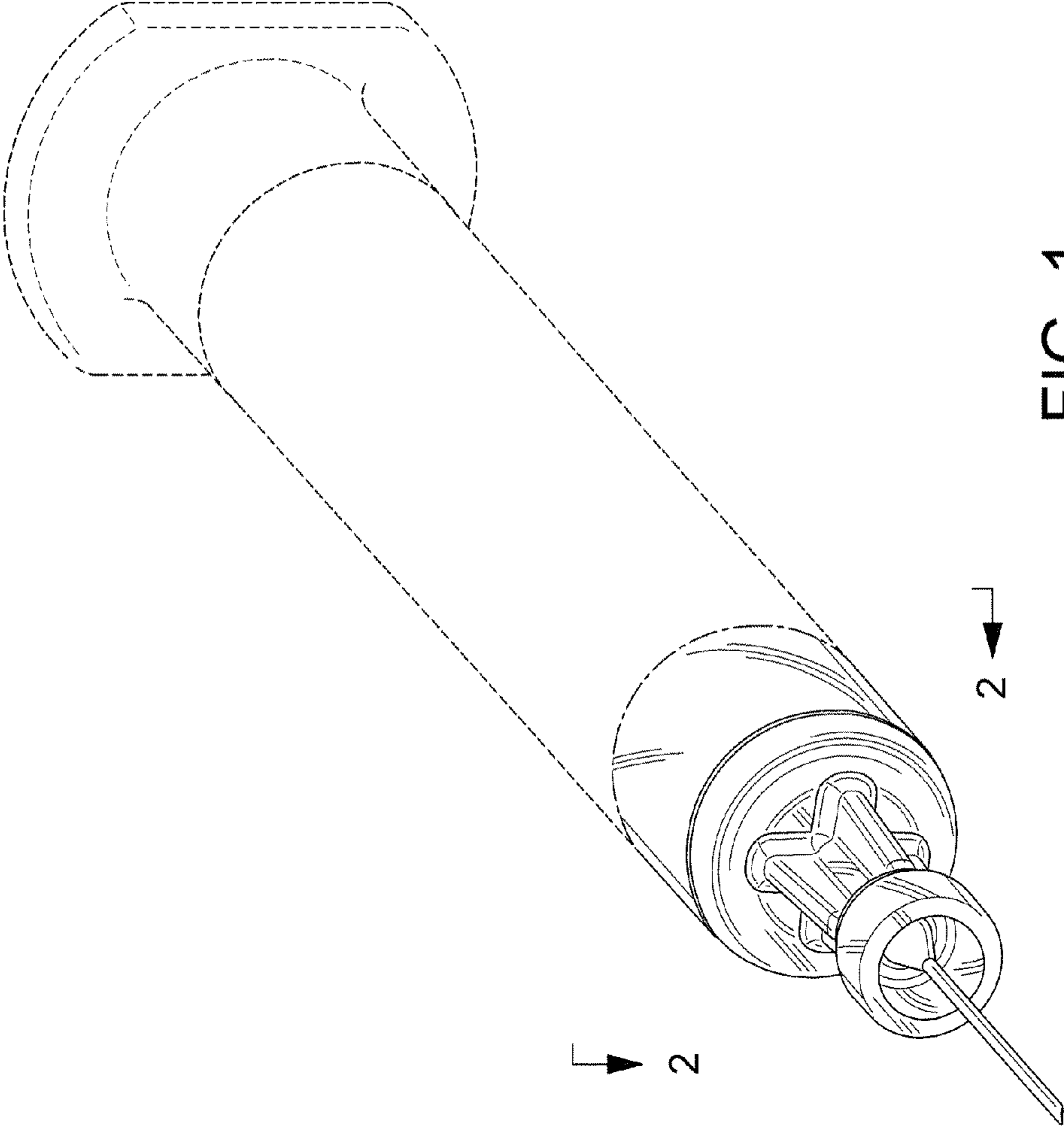


FIG. 1

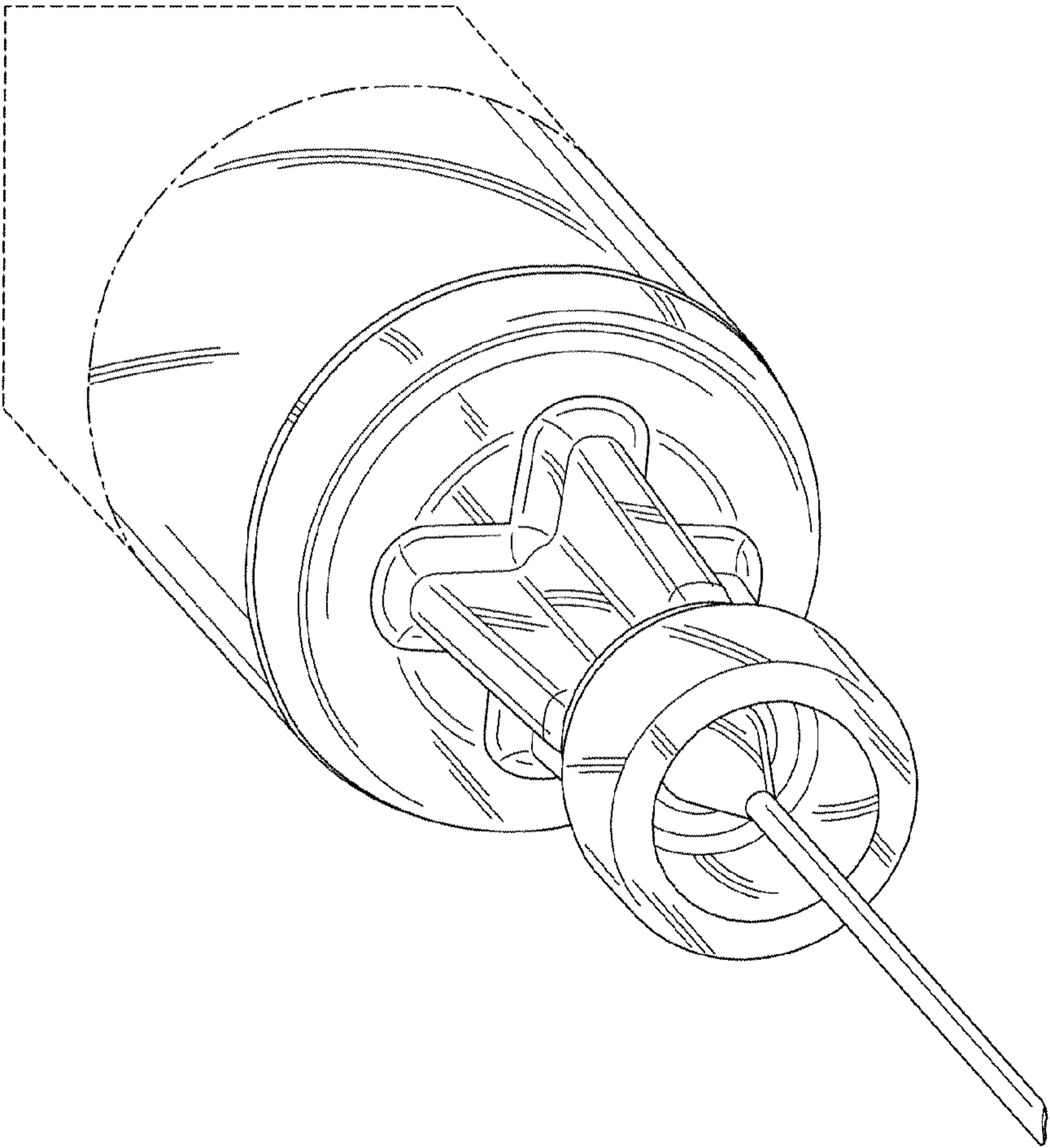


FIG. 2

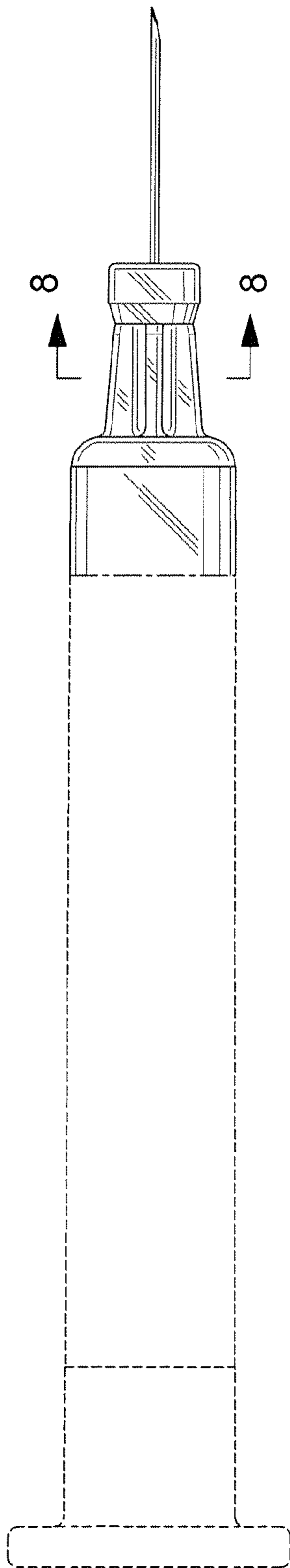


FIG. 3

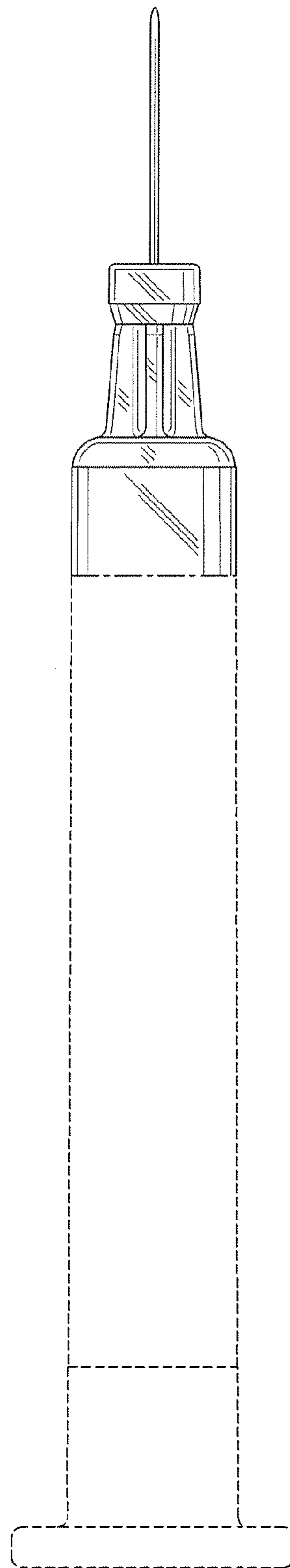


FIG. 4

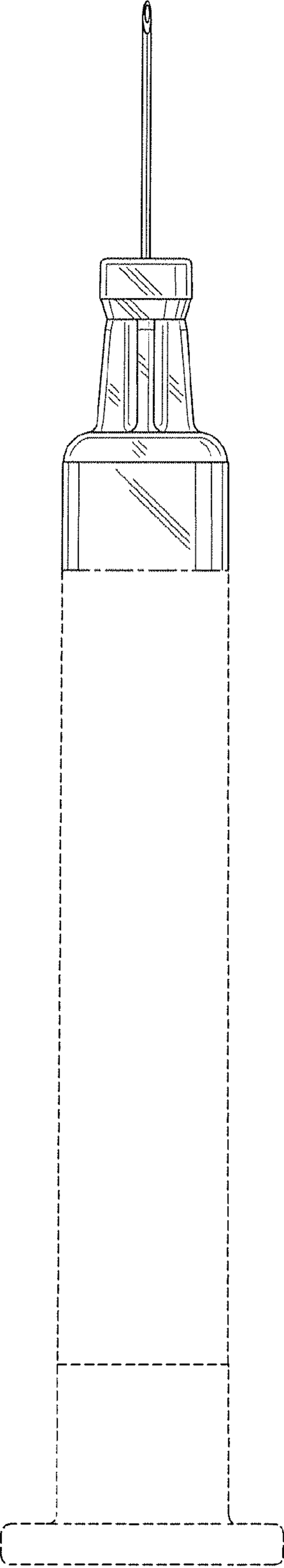


FIG. 5

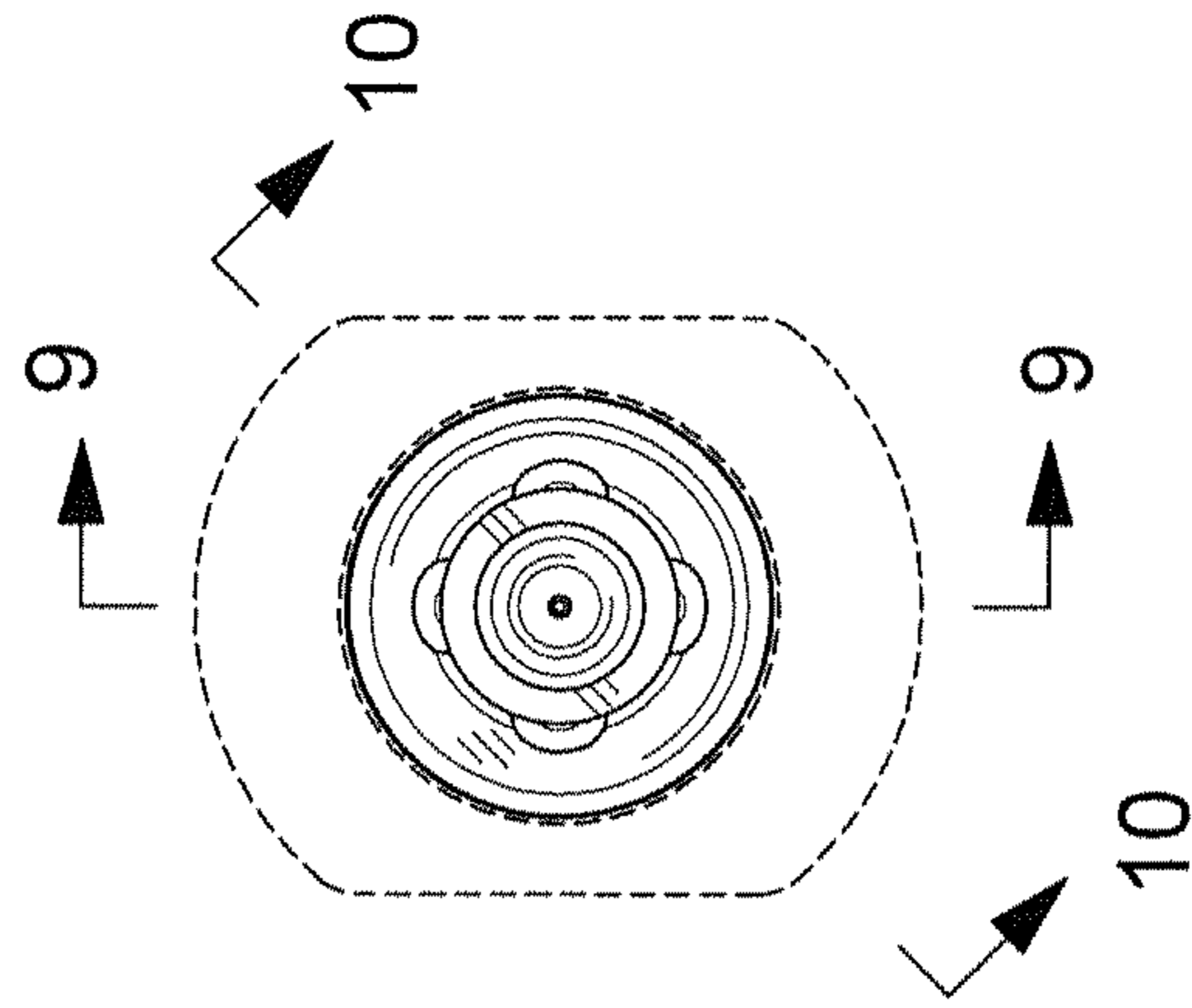


FIG. 6

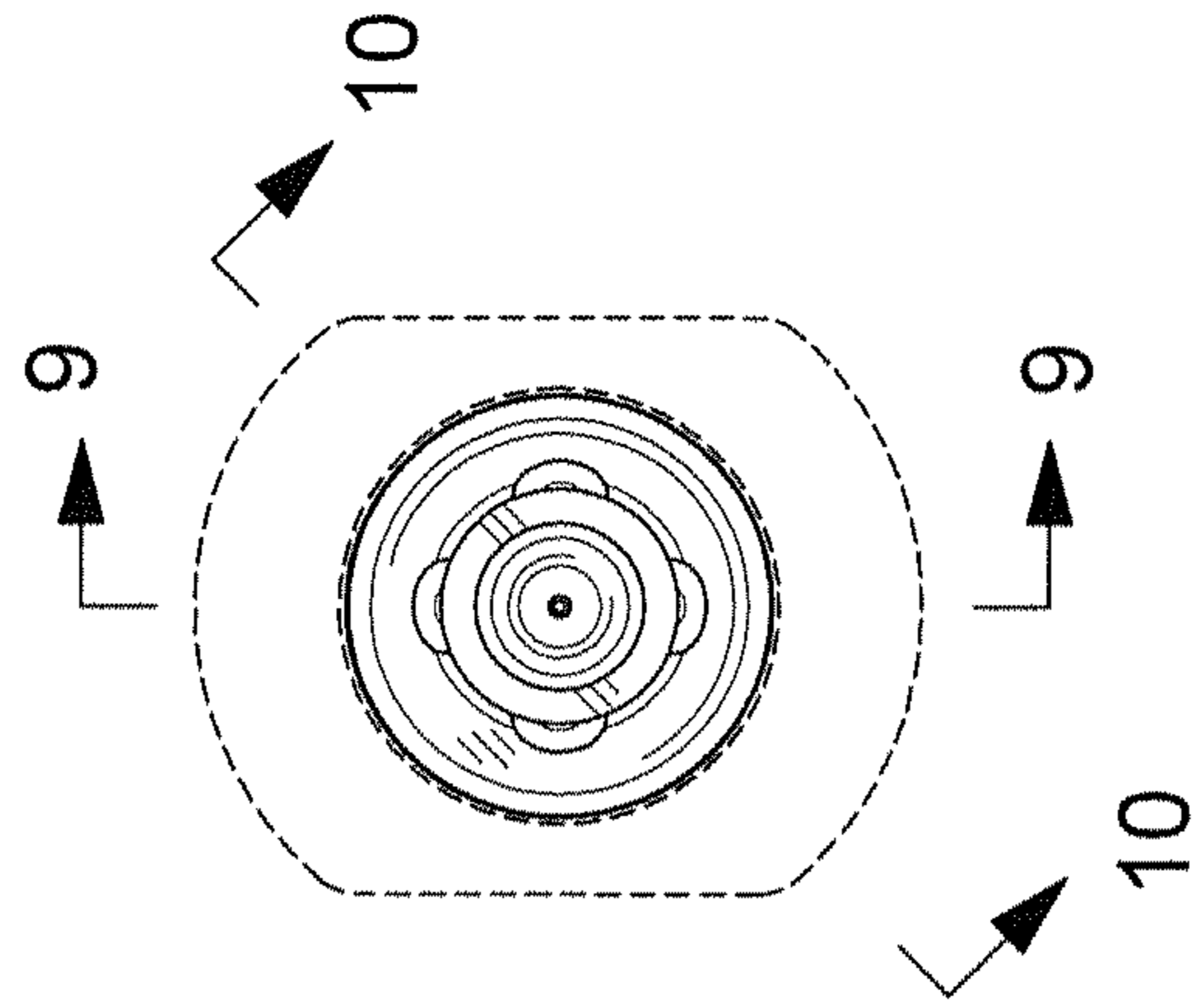


FIG. 7

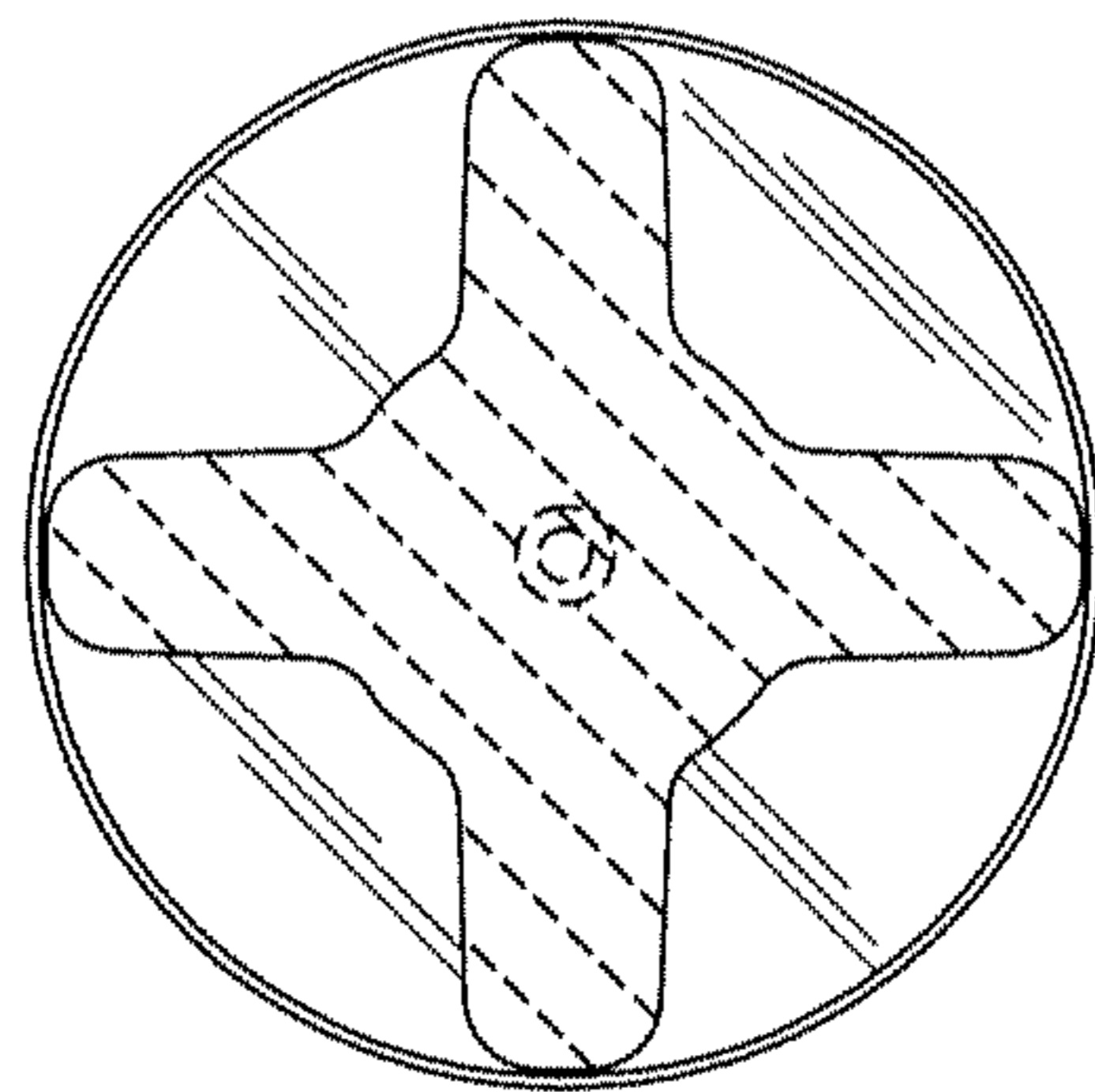


FIG. 8

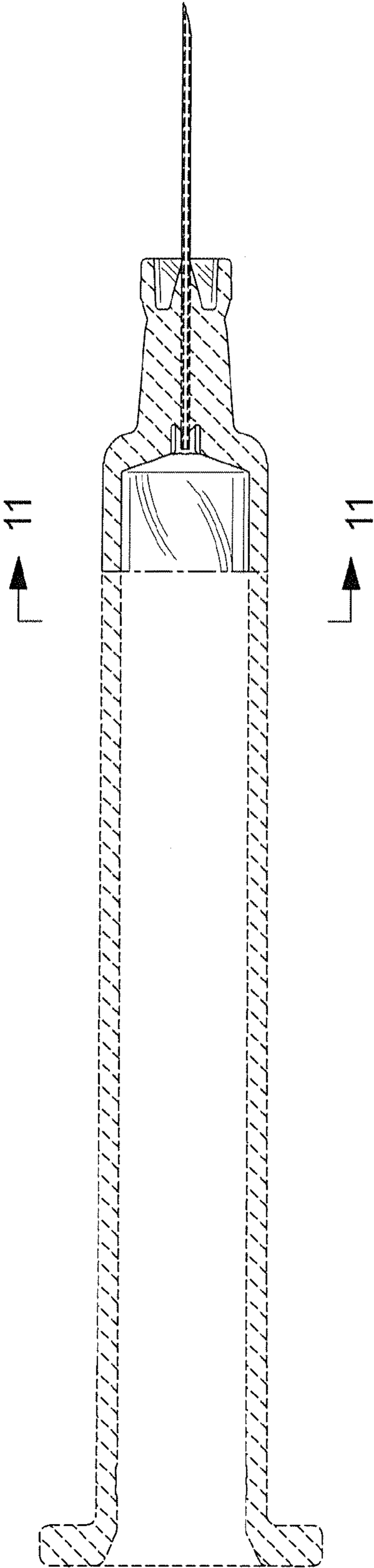


FIG. 9

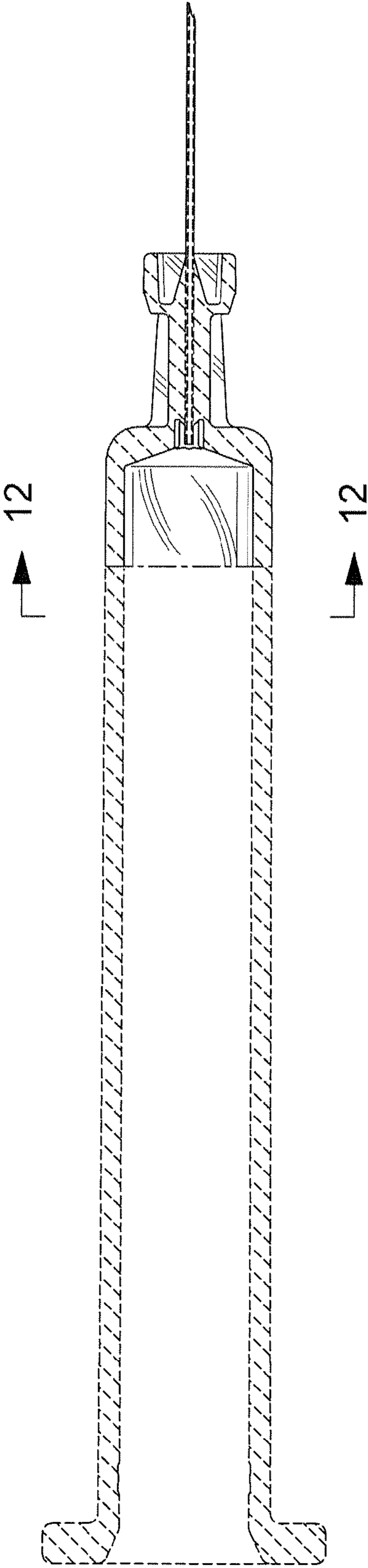


FIG. 10

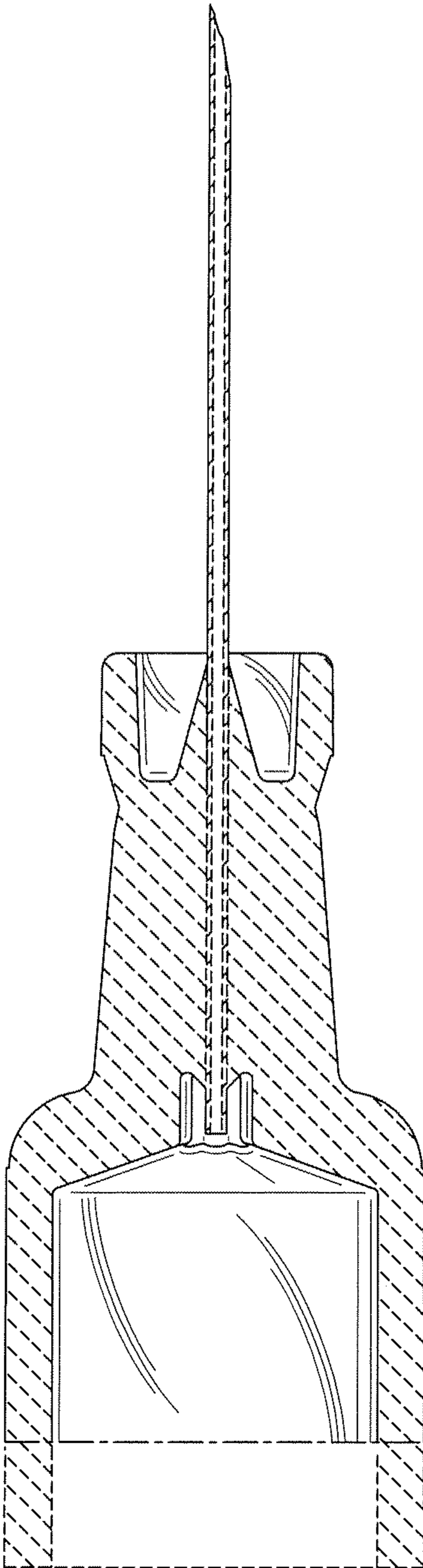


FIG. 11

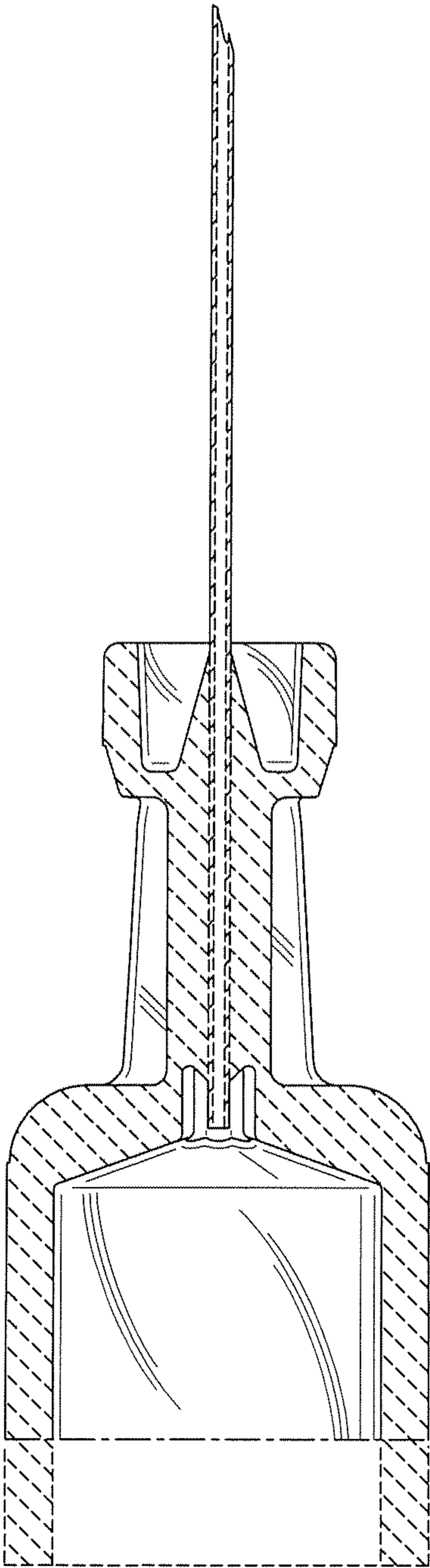


FIG. 12