

US00D698019S

(12) **United States Design Patent**  
**Oliveira**

(10) **Patent No.:** **US D698,019 S**  
(45) **Date of Patent:** **\*\* Jan. 21, 2014**

(54) **OPHTHALMIC SURGICAL CASSETTE**

FOREIGN PATENT DOCUMENTS

(71) Applicant: **Alcon Research, Ltd.**, Fort Worth, TX  
(US)

AU 2004320405 B2 12/2005  
CA 2 759 590 A1 10/2010

(Continued)

(72) Inventor: **Mel Matthew Oliveira**, Huntington  
Beach, CA (US)

OTHER PUBLICATIONS

(73) Assignee: **Alcon Research, Ltd.**, Fort Worth, TX  
(US)

Alcon, Cataract Consumables & Accessories, Infiniti® Vision System Packs Catalog, 2008, p. 25.

(\*\*) Term: **14 Years**

*Primary Examiner* — Ian Simmons  
*Assistant Examiner* — Richelle G Shelton

(21) Appl. No.: **29/447,571**

(57) **CLAIM**

The ornamental design for a ophthalmic surgical cassette, as shown and described.

(22) Filed: **Mar. 5, 2013**

(51) **LOC (10) Cl.** ..... **24-02**

(52) **U.S. Cl.**  
USPC ..... **D24/111**

(58) **Field of Classification Search**  
USPC ..... D24/111, 172; 417/474, 477.2; 604/35  
See application file for complete search history.

**DESCRIPTION**

FIG. 1 is an isometric view of the ophthalmic surgical cassette of the present invention.

FIG. 2 is a top view of the ophthalmic surgical cassette of the present invention.

FIG. 3 is a first side view of the ophthalmic surgical cassette of the present invention.

FIG. 4 is a second side view of the ophthalmic surgical cassette of the present invention.

FIG. 5 is a bottom view of the ophthalmic surgical cassette of the present invention.

FIG. 6 is a front view of the ophthalmic surgical cassette of the present invention; and,

FIG. 7 is a rear view of the ophthalmic surgical cassette of the present invention.

The broken line showing of portions of the article is included for the purpose of illustrating structural environment and forms no part of the claimed design. The broken line showing of lettering and a transparent bag is included for the purpose of illustrating environmental structure superimposed upon the underlying claimed surface, but forms no part of the claimed design.

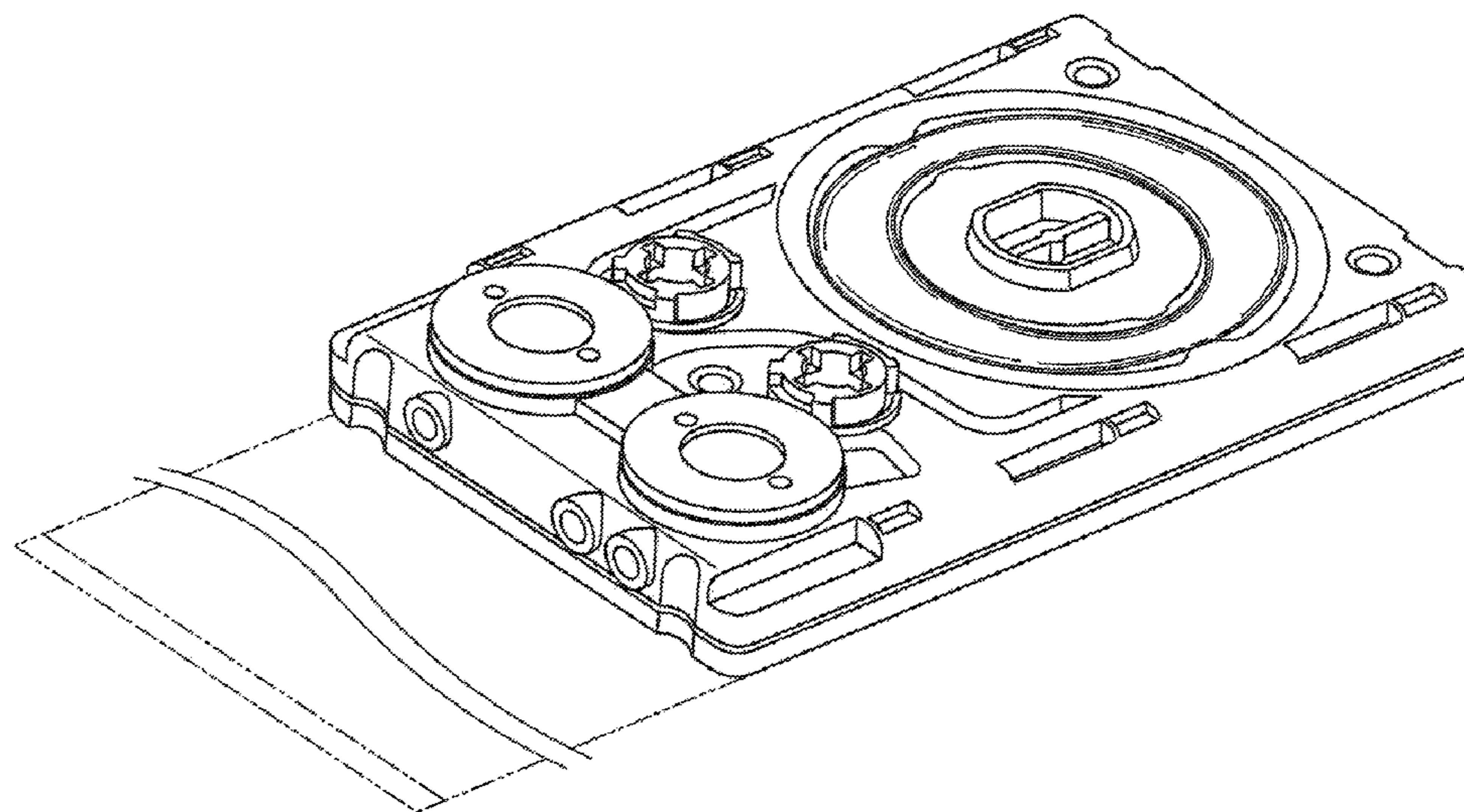
(56) **References Cited**

U.S. PATENT DOCUMENTS

3,693,613 A	9/1972	Kelman
3,902,495 A	9/1975	Weiss et al.
3,920,014 A	11/1975	Banko
4,041,947 A	8/1977	Weiss et al.
4,180,074 A	12/1979	Murry et al.
4,274,411 A	6/1981	Dotson, Jr.
4,395,258 A	7/1983	Wang et al.
4,493,698 A	1/1985	Wang et al.
4,496,342 A	1/1985	Banko
4,560,460 A	12/1985	Blasing et al.
4,758,238 A	7/1988	Sundblom et al.
4,764,165 A	8/1988	Reimels et al.
5,195,960 A	3/1993	Hossain et al.
5,242,404 A	9/1993	Conley et al.
5,267,956 A	12/1993	Beuchat
5,287,851 A	2/1994	Beran et al.

(Continued)

**1 Claim, 5 Drawing Sheets**



(56)

References Cited

U.S. PATENT DOCUMENTS

5,342,293 A 8/1994 Zanger  
 D350,823 S \* 9/1994 Lanigan ..... D24/111  
 5,354,268 A 10/1994 Peterson et al.  
 5,380,280 A 1/1995 Peterson  
 5,403,276 A 4/1995 Schechter et al.  
 5,429,601 A 7/1995 Conley et al.  
 5,556,378 A 9/1996 Storz et al.  
 5,569,188 A 10/1996 Mackool  
 5,584,824 A 12/1996 Gillette et al.  
 5,669,876 A 9/1997 Schechter et al.  
 5,693,013 A 12/1997 Geuder  
 5,697,898 A 12/1997 Devine  
 5,700,240 A 12/1997 Barwick, Jr. et al.  
 5,704,927 A 1/1998 Gillette et al.  
 5,725,495 A 3/1998 Strukel et al.  
 5,733,256 A 3/1998 Costin  
 5,810,765 A 9/1998 Oda  
 5,899,674 A 5/1999 Jung et al.  
 6,013,049 A 1/2000 Rockley et al.  
 6,083,195 A 7/2000 Perkins et al.  
 6,162,187 A 12/2000 Buzzard et al.  
 6,165,154 A 12/2000 Gray et al.  
 6,210,361 B1 4/2001 Kamen et al.  
 6,224,583 B1 5/2001 Perkins et al.  
 6,258,111 B1 7/2001 Ross et al.  
 6,293,926 B1 9/2001 Sorensen et al.  
 6,319,223 B1 11/2001 Wortrich et al.  
 6,425,883 B1 7/2002 Urich et al.  
 6,464,667 B1 10/2002 Kamen et al.  
 6,585,679 B1 7/2003 Hallen  
 6,599,271 B1 7/2003 Easley  
 6,599,277 B2 7/2003 Neubert  
 6,629,986 B1 10/2003 Ross et al.  
 6,726,656 B2 4/2004 Kamen et al.  
 6,780,166 B2 8/2004 Kanda et al.  
 6,902,542 B2 \* 6/2005 Gordon ..... 604/35  
 6,908,451 B2 6/2005 Brody et al.  
 6,962,488 B2 \* 11/2005 Davis et al. .... 417/477.2  
 7,063,680 B2 6/2006 Lee et al.  
 7,070,578 B2 7/2006 Leukanech et al.  
 7,168,930 B2 1/2007 Cull et al.  
 7,214,210 B2 5/2007 Kamen et al.  
 7,335,217 B2 2/2008 Wang et al.  
 7,393,189 B2 \* 7/2008 Davis et al. .... 417/477.2  
 7,604,607 B2 10/2009 Cull et al.  
 7,670,330 B2 3/2010 Claus et al.  
 D615,189 S \* 5/2010 McGill et al. .... D24/111  
 D616,539 S \* 5/2010 McGill ..... D24/111  
 7,713,237 B2 5/2010 Nazarifar et al.  
 7,775,780 B2 8/2010 Hopkins et al.  
 7,785,316 B2 8/2010 Claus et al.  
 7,798,997 B2 9/2010 Kamen et al.  
 7,947,009 B2 5/2011 Kubler et al.  
 8,011,905 B2 \* 9/2011 Artsyukhovich et al. ... 417/477.2  
 8,070,712 B2 12/2011 Muri et al.  
 8,308,856 B2 11/2012 Brueckner et al.  
 2001/0016711 A1 8/2001 Sorensen et al.  
 2001/0023331 A1 9/2001 Kanda et al.  
 2003/0225359 A1 12/2003 Hallen  
 2003/0225363 A1 \* 12/2003 Gordon et al. .... 604/35  
 2004/0036386 A1 2/2004 Olivera  
 2004/0049217 A1 3/2004 Ross et al.

2004/0253129 A1 12/2004 Sorensen et al.  
 2005/0065462 A1 3/2005 Nazarifar et al.  
 2005/0069419 A1 3/2005 Cull et al.  
 2005/0070859 A1 3/2005 Cull et al.  
 2005/0070871 A1 3/2005 Lawton et al.  
 2005/0186098 A1 8/2005 Davis et al.  
 2005/0285025 A1 12/2005 Boukhny et al.  
 2006/0052741 A1 3/2006 Boukhny et al.  
 2006/0078448 A1 4/2006 Holden  
 2006/0173403 A1 8/2006 Injev  
 2006/0224163 A1 10/2006 Sutton  
 2007/0085049 A1 4/2007 Houle et al.  
 2007/0107490 A1 5/2007 Artsyukhovich et al.  
 2007/0135760 A1 6/2007 Williams  
 2008/0015515 A1 \* 1/2008 Hopkins et al. .... 604/244  
 2008/0033349 A1 2/2008 Suzuki  
 2008/0058727 A1 3/2008 Domash et al.  
 2008/0082040 A1 4/2008 Kubler et al.  
 2008/0112828 A1 5/2008 Muri et al.  
 2008/0114289 A1 5/2008 Muri et al.  
 2008/0114290 A1 5/2008 King et al.  
 2008/0114300 A1 5/2008 Muri et al.  
 2008/0114311 A1 5/2008 Muri et al.  
 2008/0147023 A1 6/2008 Hopkins et al.  
 2008/0319374 A1 12/2008 Zacharias  
 2008/0319451 A1 12/2008 Zacharias  
 2009/0048607 A1 2/2009 Rockley  
 2009/0163852 A1 6/2009 Cull  
 2009/0259242 A1 10/2009 Gerg et al.  
 2010/0130915 A1 5/2010 Claus et al.  
 2010/0130929 A1 5/2010 Hertweck  
 2010/0274168 A1 10/2010 Gronau et al.  
 2010/0286651 A1 11/2010 Sorensen  
 2011/0087156 A1 4/2011 Claus et al.  
 2011/0178457 A1 7/2011 Kuebler et al.  
 2012/0041360 A1 2/2012 Gerg et al.  
 2012/0041362 A1 2/2012 Gerg et al.  
 2012/0065580 A1 3/2012 Gerg et al.  
 2012/0330254 A1 \* 12/2012 Walter et al. .... 604/319

FOREIGN PATENT DOCUMENTS

DE 102007031722 A1 1/2009  
 EP 1 074 271 A2 2/2001  
 EP 0 555 625 B1 4/2002  
 EP 0 778 750 B1 10/2003  
 EP 2 059 275 B1 7/2011  
 EP 2004114 B1 10/2011  
 EP 2 178 478 B1 2/2012  
 EP 2086608 B1 3/2012  
 GB 1213723 A 11/1970  
 JP 2002-527147 A 8/2002  
 WO 96/13216 A1 5/1996  
 WO 2005/033511 A1 4/2005  
 WO 2005/033512 A1 4/2005  
 WO 2005/119181 A1 12/2005  
 WO 2006/101908 A2 9/2006  
 WO 2007/143797 A1 12/2007  
 WO 2009/007212 A2 1/2009  
 WO 2009/023699 A2 2/2009  
 WO 2009/076717 A1 6/2009  
 WO 2009/076717 A9 8/2009  
 WO 2011/063794 A1 6/2011

\* cited by examiner



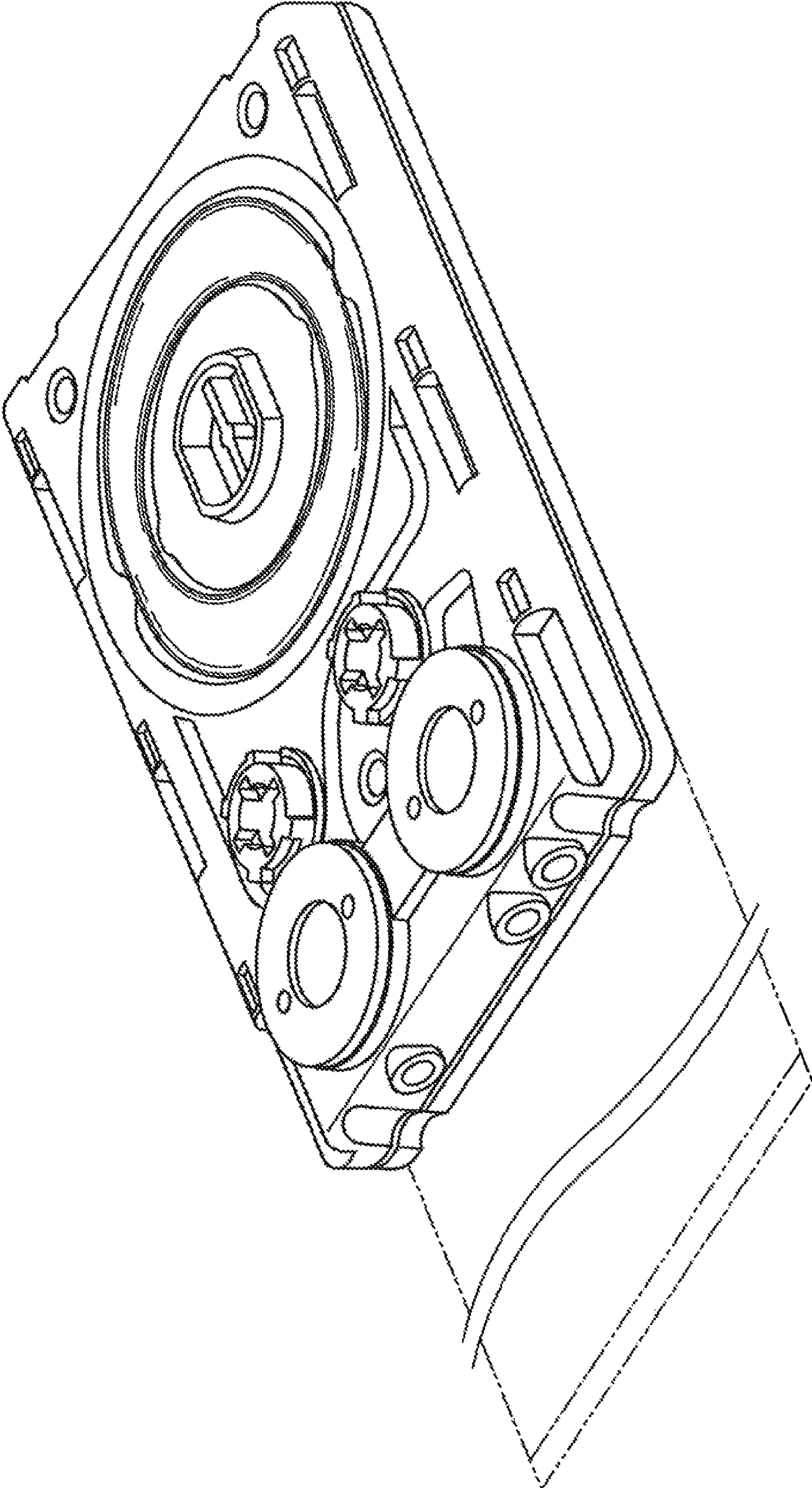
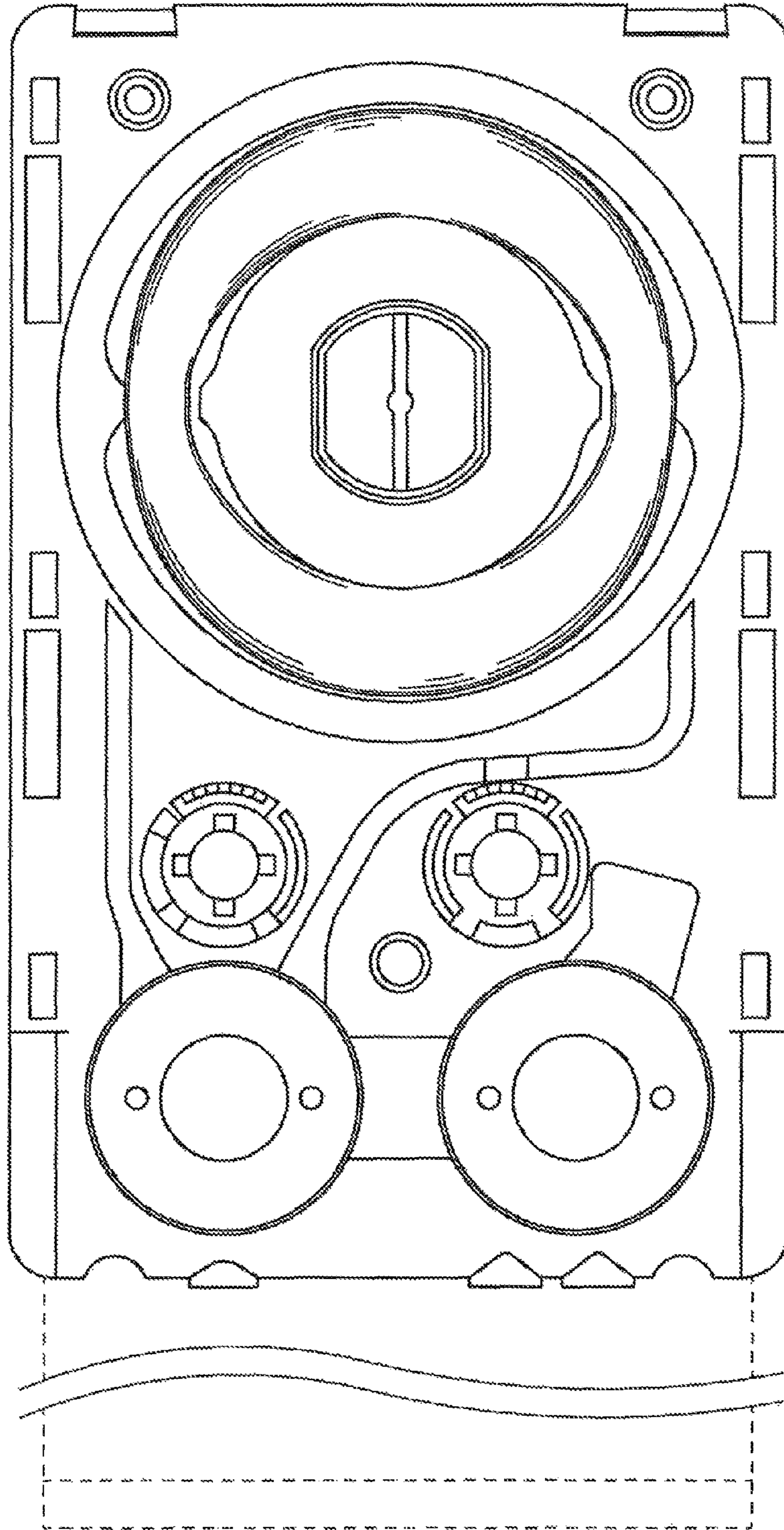


FIG. 1

FIG. 2



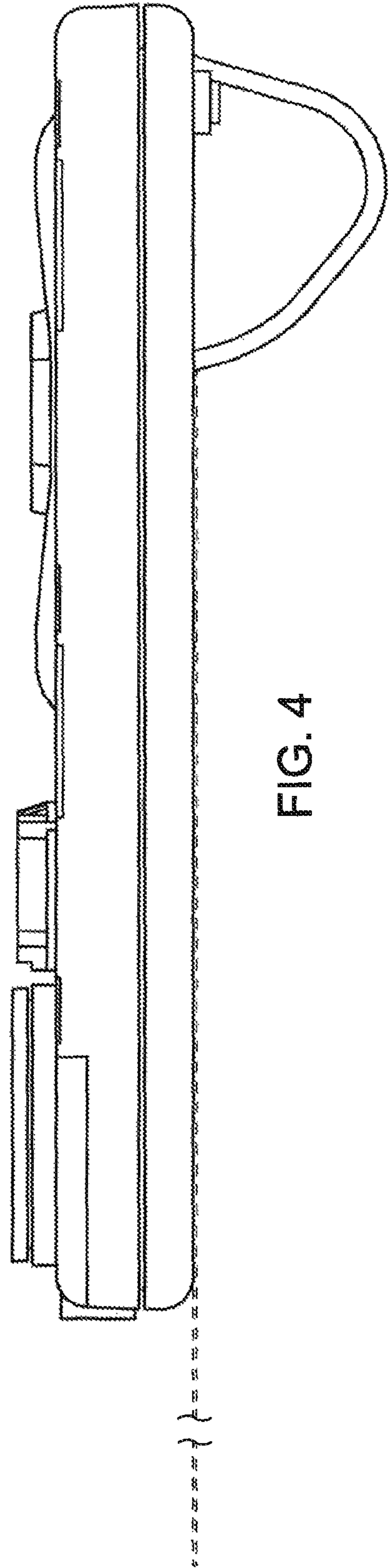
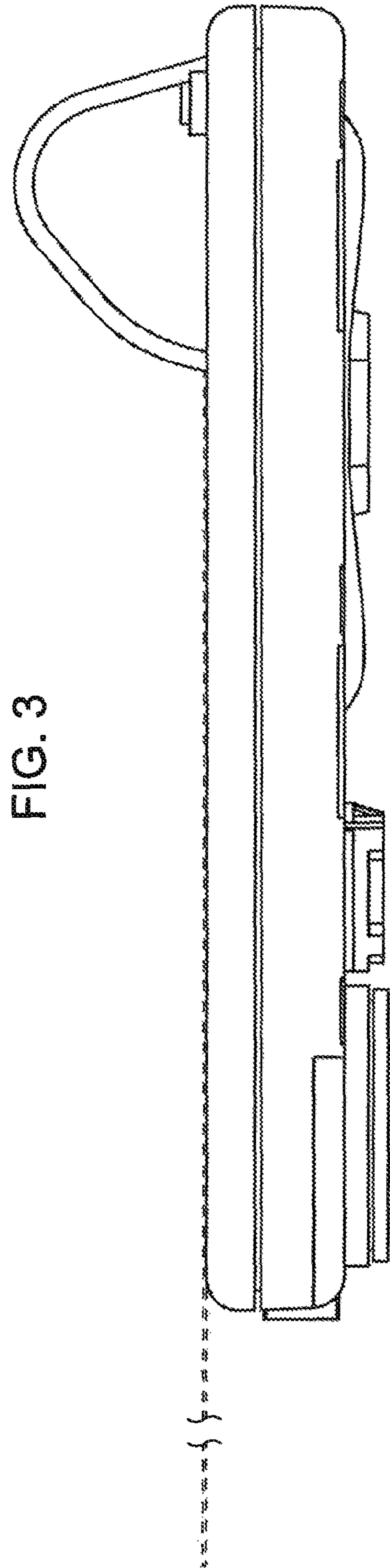




FIG. 5

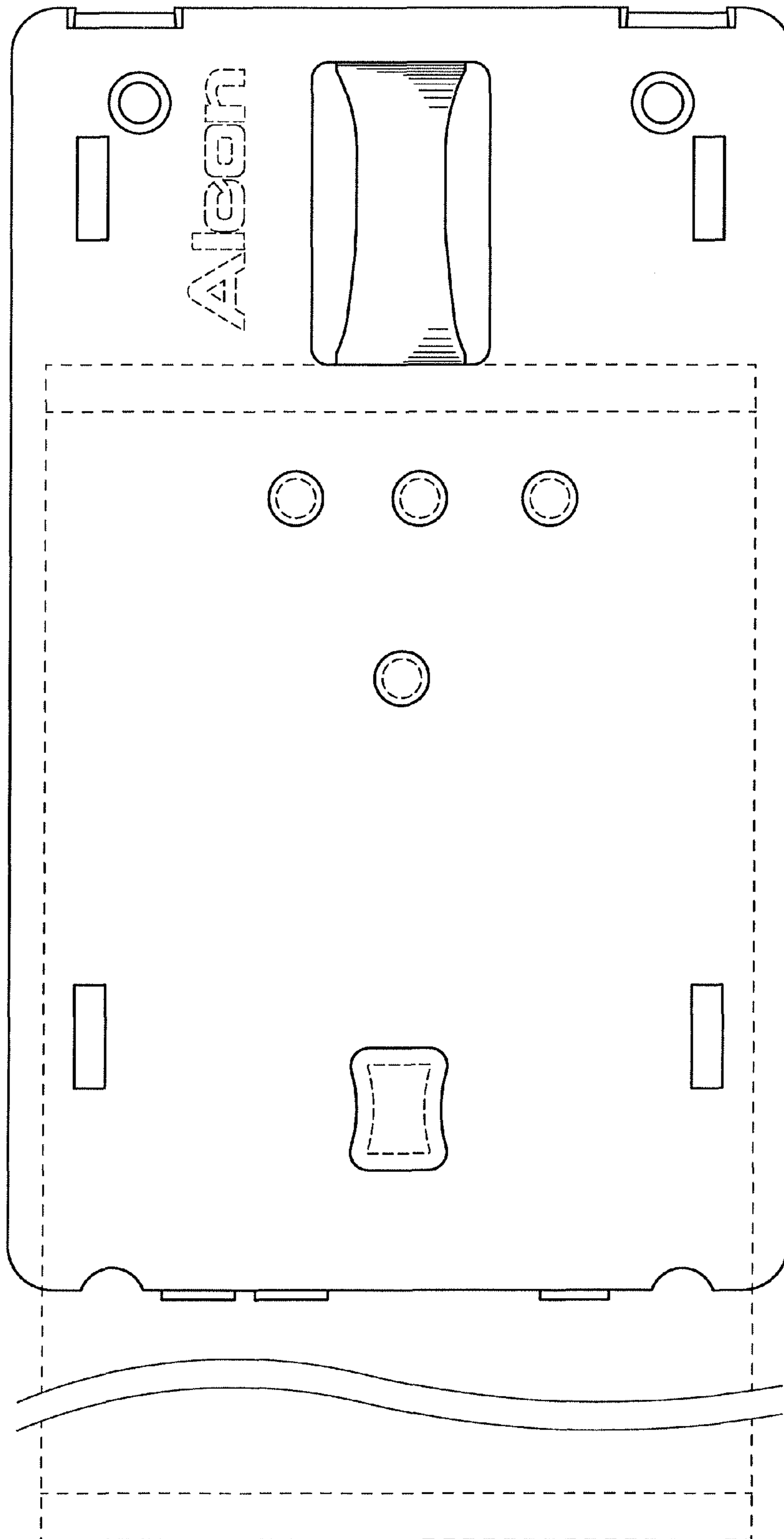


FIG. 6

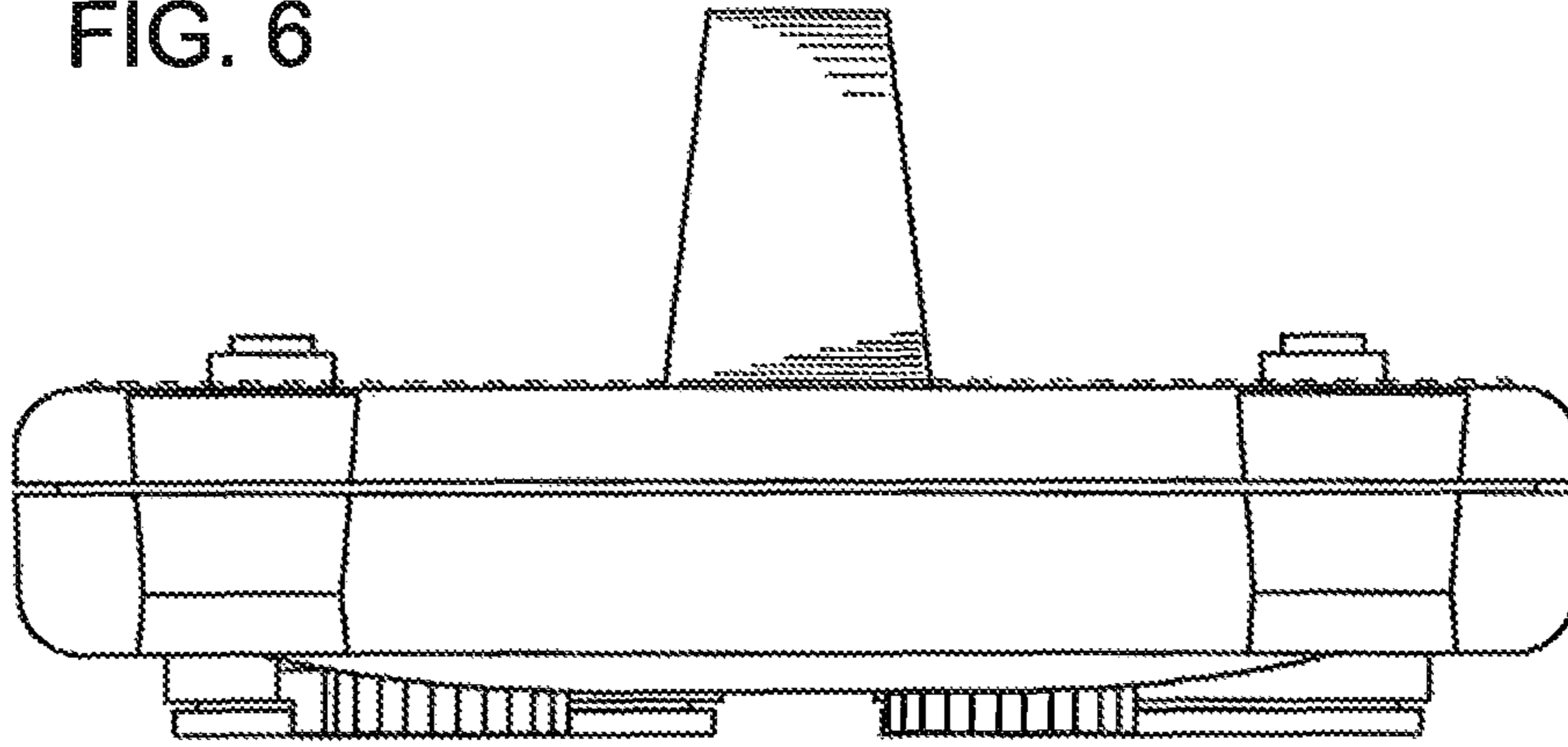


FIG. 7

