



US00D698016S

(12) **United States Design Patent**
Hurley

(10) **Patent No.:** **US D698,016 S**
(45) **Date of Patent:** **** Jan. 21, 2014**

(54) **AIR PURIFICATION DISK PLATE SYSTEM**

(76) Inventor: **John Hurley**, Toronto (CA)

(**) Term: **14 Years**

(21) Appl. No.: **29/363,082**

(22) Filed: **Jun. 4, 2010**

(51) **LOC (10) Cl.** **23-04**

(52) **U.S. Cl.**
USPC **D23/364**

(58) **Field of Classification Search**
USPC D23/365, 209, 363, 358, 386, 354, 341,
D23/364, 389, 355, 370, 395, 330;
55/385.3, 502, 497, 506, 505, 521,
55/495, 422, 493, DIG. 30; 210/435, 130,
210/136, 248, 339, 448, 452, 497.1;
D32/31; D15/5; 62/285

See application file for complete search history.

(56) **References Cited**

U.S. PATENT DOCUMENTS

3,923,098	A	*	12/1975	Ares	62/285
4,350,025	A	*	9/1982	Izumi	62/285
D325,967	S	*	5/1992	Dieterle et al.	D23/386
D352,774	S	*	11/1994	Godfrey et al.	D23/389
D373,417	S	*	9/1996	Lee	D23/386
D374,713	S	*	10/1996	Ford et al.	D23/355

D382,048	S	*	8/1997	Bennett	D23/335
D402,025	S	*	12/1998	Dodson	D23/370
D423,090	S	*	4/2000	Barbosa	D23/330
D423,661	S	*	4/2000	Pelonis	D23/395
D449,675	S	*	10/2001	Shih	D23/330
D454,950	S	*	3/2002	Cain	D23/395
D574,923	S	*	8/2008	Crawford et al.	D23/209

* cited by examiner

Primary Examiner — David Muller

(74) *Attorney, Agent, or Firm* — Miltons IP/p.i.

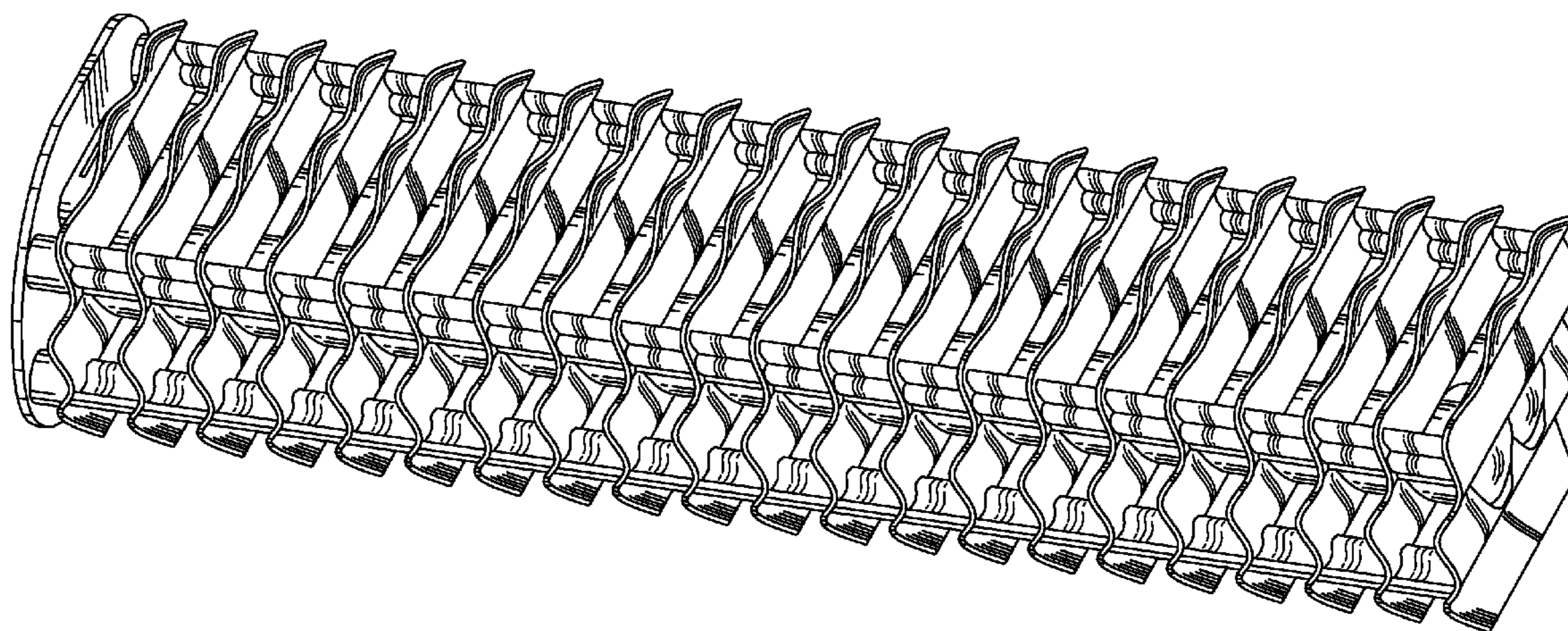
(57) **CLAIM**

I claim the ornamental design of an air purification disk plate system, as shown and described.

DESCRIPTION

FIG. 1 is a top perspective view of the air purification disk plate system;
FIG. 2 is a side view of the air purification disk plate system of FIG. 1;
FIG. 3 is a top view of the air purification disk plate system of FIG. 1;
FIG. 4 is a front view of the air purification disk plate system of FIG. 1; and,
FIG. 5 is a rear view of the air purification disk plate system of FIG. 1.

1 Claim, 3 Drawing Sheets



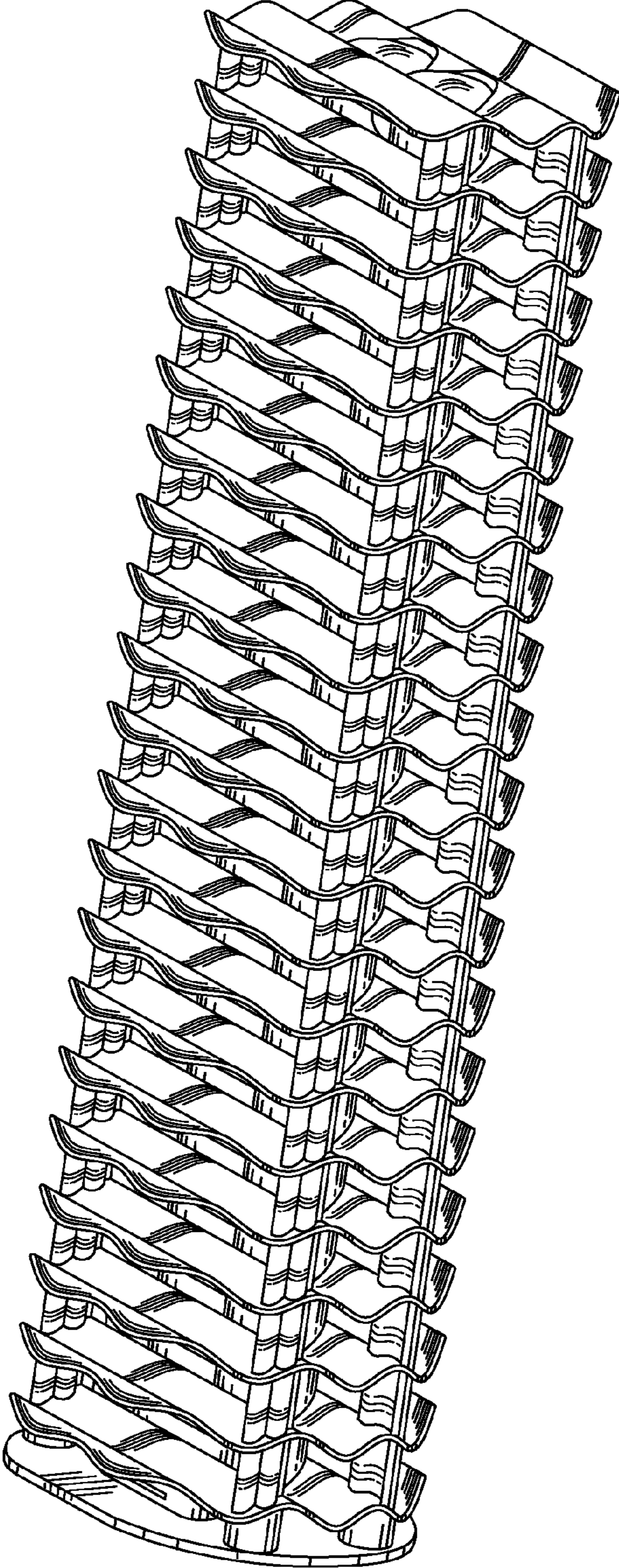


FIG. 1

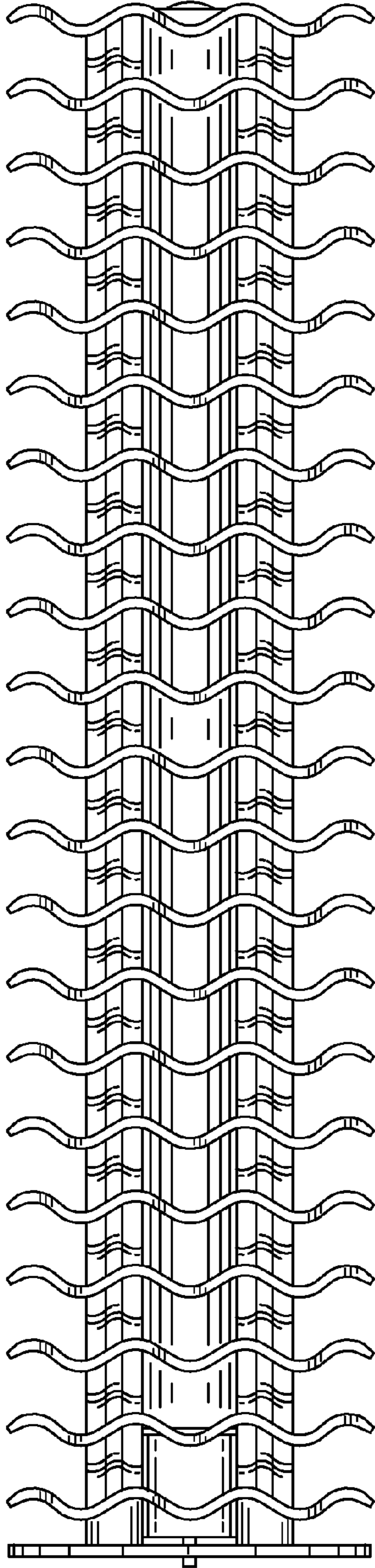


FIG. 2

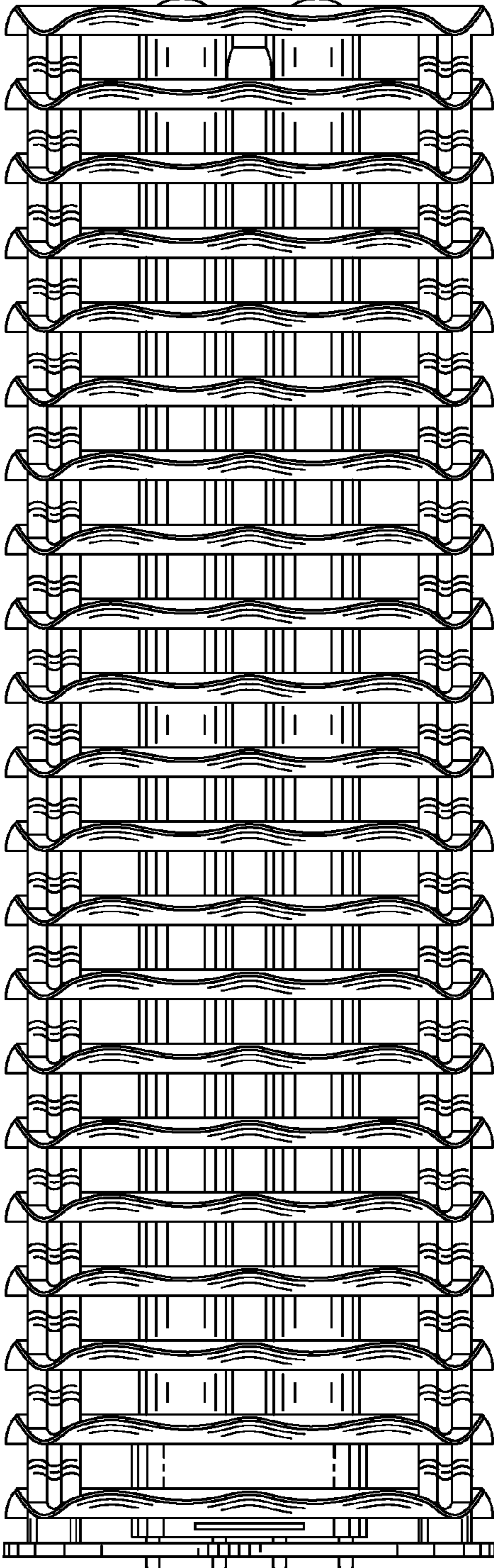


FIG. 3

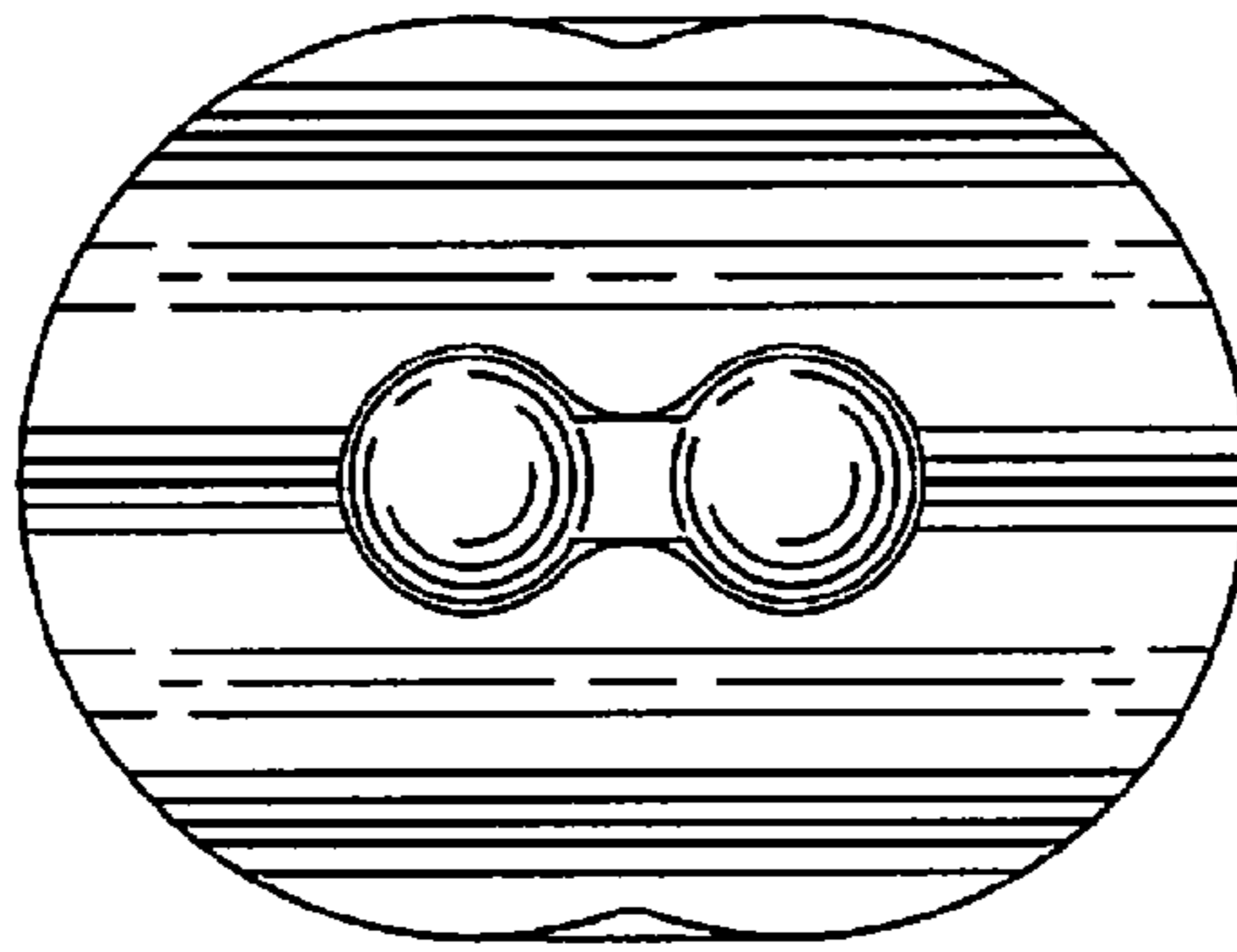


FIG. 4

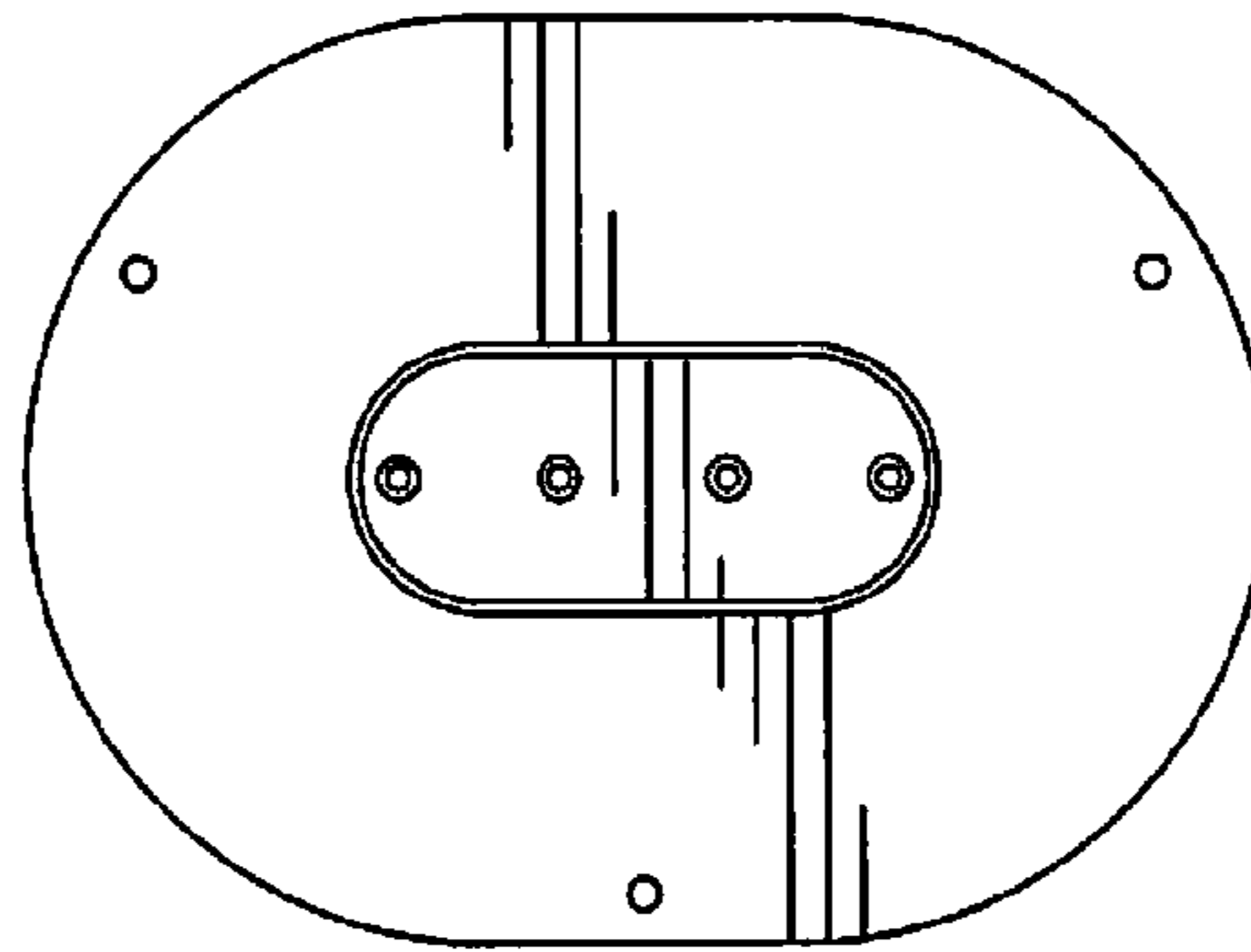


FIG. 5