



US00D698015S

(12) **United States Design Patent**
Vo et al.

(10) **Patent No.:** **US D698,015 S**
(45) **Date of Patent:** **** Jan. 21, 2014**

(54) **HEATER**

(71) Applicants: **Cuong Quoc Vo**, Cambridge (CA);
Douglas Greenway, Guelph (CA)

(72) Inventors: **Cuong Quoc Vo**, Cambridge (CA);
Douglas Greenway, Guelph (CA)

(73) Assignee: **Greenway Home Products Ltd.**,
Guelph (CA)

(**) Term: **14 Years**

(21) Appl. No.: **29/438,365**

(22) Filed: **Nov. 29, 2012**

(51) **LOC (10) Cl.** **23-03**

(52) **U.S. Cl.**
USPC **D23/342**

(58) **Field of Classification Search**
USPC D23/323, 328, 332, 336, 339, 342, 386,
D23/338, 314, 317, 344, 343; 126/25 R, 67,
126/92 A, 92 B, 9 A, 500, 520, 544, 547;
362/92, 217, 253, 231; 431/331, 344

See application file for complete search history.

(56) **References Cited**

U.S. PATENT DOCUMENTS

D218,901 S * 10/1970 Punt D23/343
D219,816 S * 2/1971 Punt D23/343

* cited by examiner

Primary Examiner — T. Chase Nelson

Assistant Examiner — Ania Aman

(74) *Attorney, Agent, or Firm* — Lorelei G. Graham

(57) **CLAIM**

The ornamental design for a heater, as shown and described.

DESCRIPTION

FIG. 1 is a Front Perspective view of the heater.

FIG. 2 is a Back Perspective view of the heater.

FIG. 3 is a Front view of the heater.

FIG. 4 is a Back view of the heater.

FIG. 5 is a Left Side view of the heater.

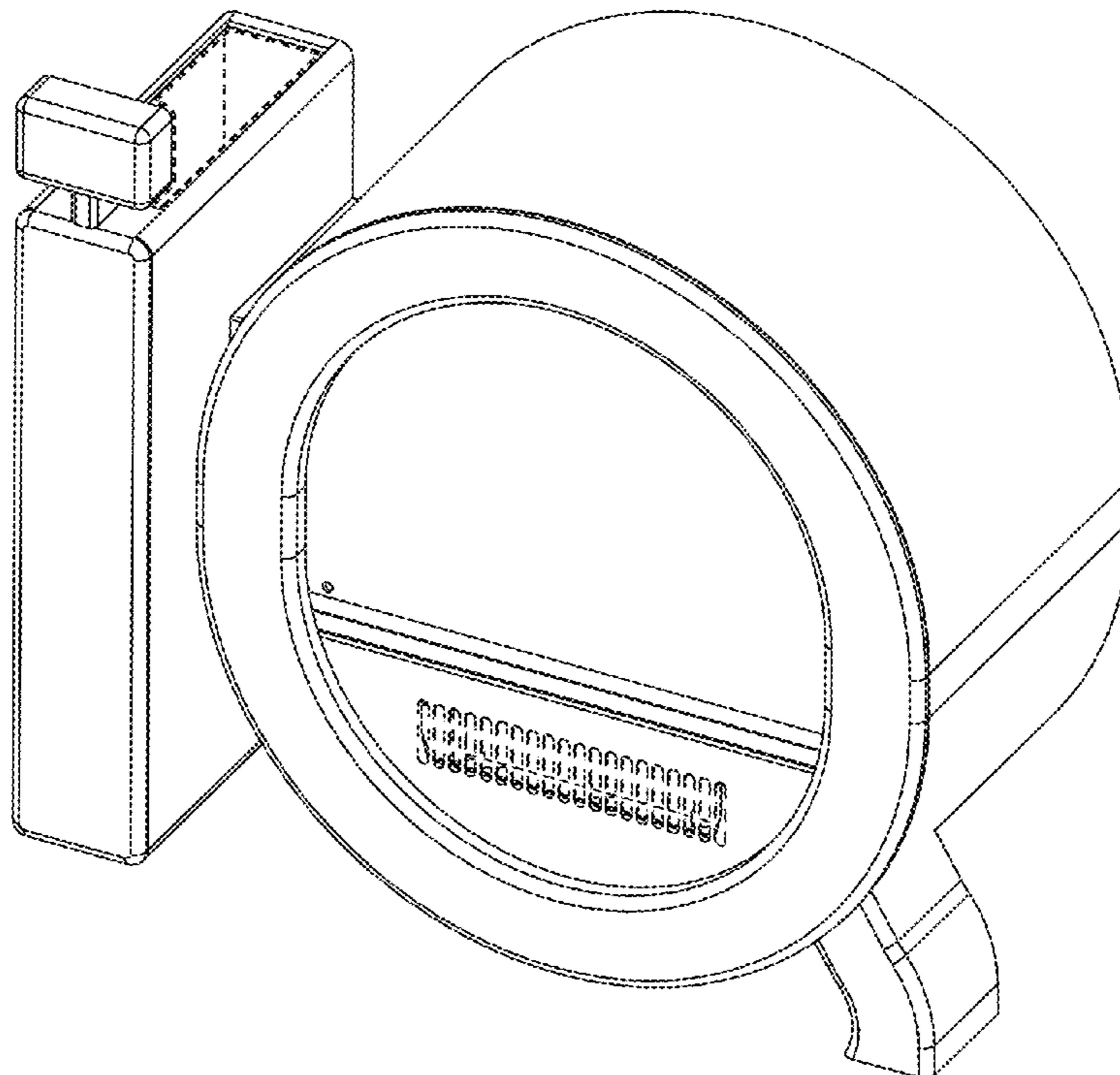
FIG. 6 is a Right Side view of the heater.

FIG. 7 is a Top plan view of the heater; and,

FIG. 8 is a Bottom plan view of the heater.

The broken line shown in the drawings are for the purpose of illustrating portions of the article that form no part of the claim design.

1 Claim, 6 Drawing Sheets



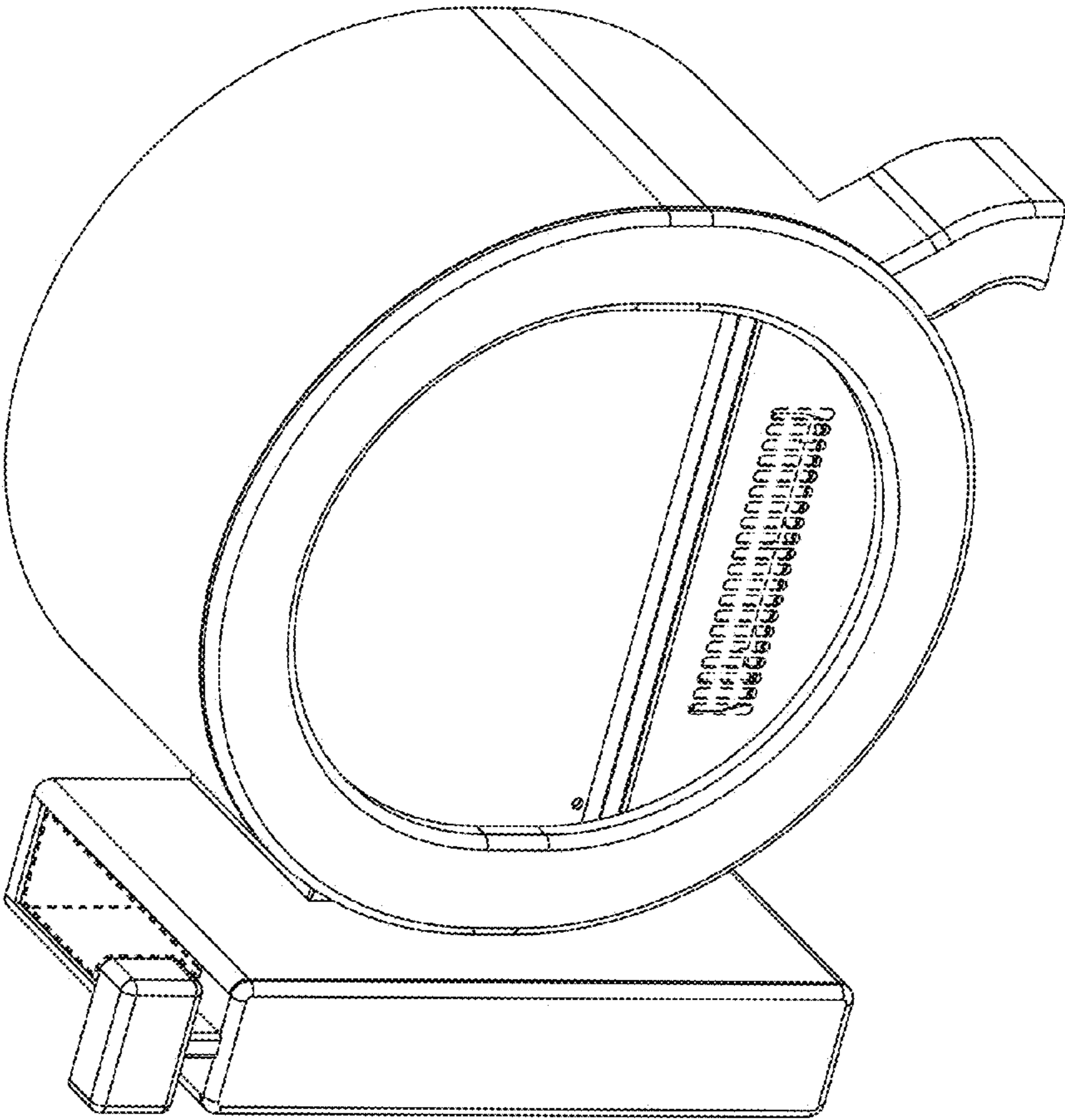


Figure 1

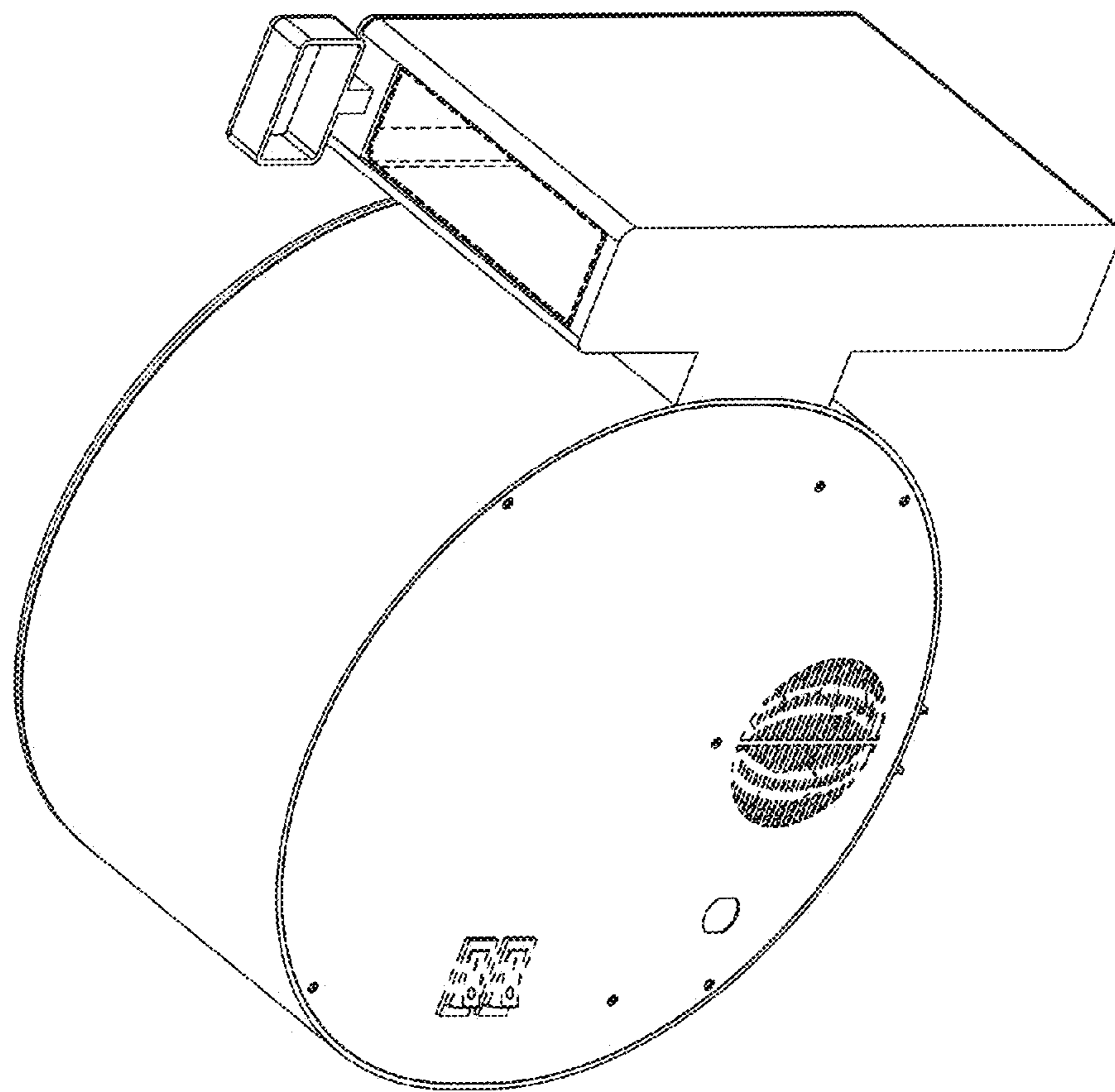


Figure 2

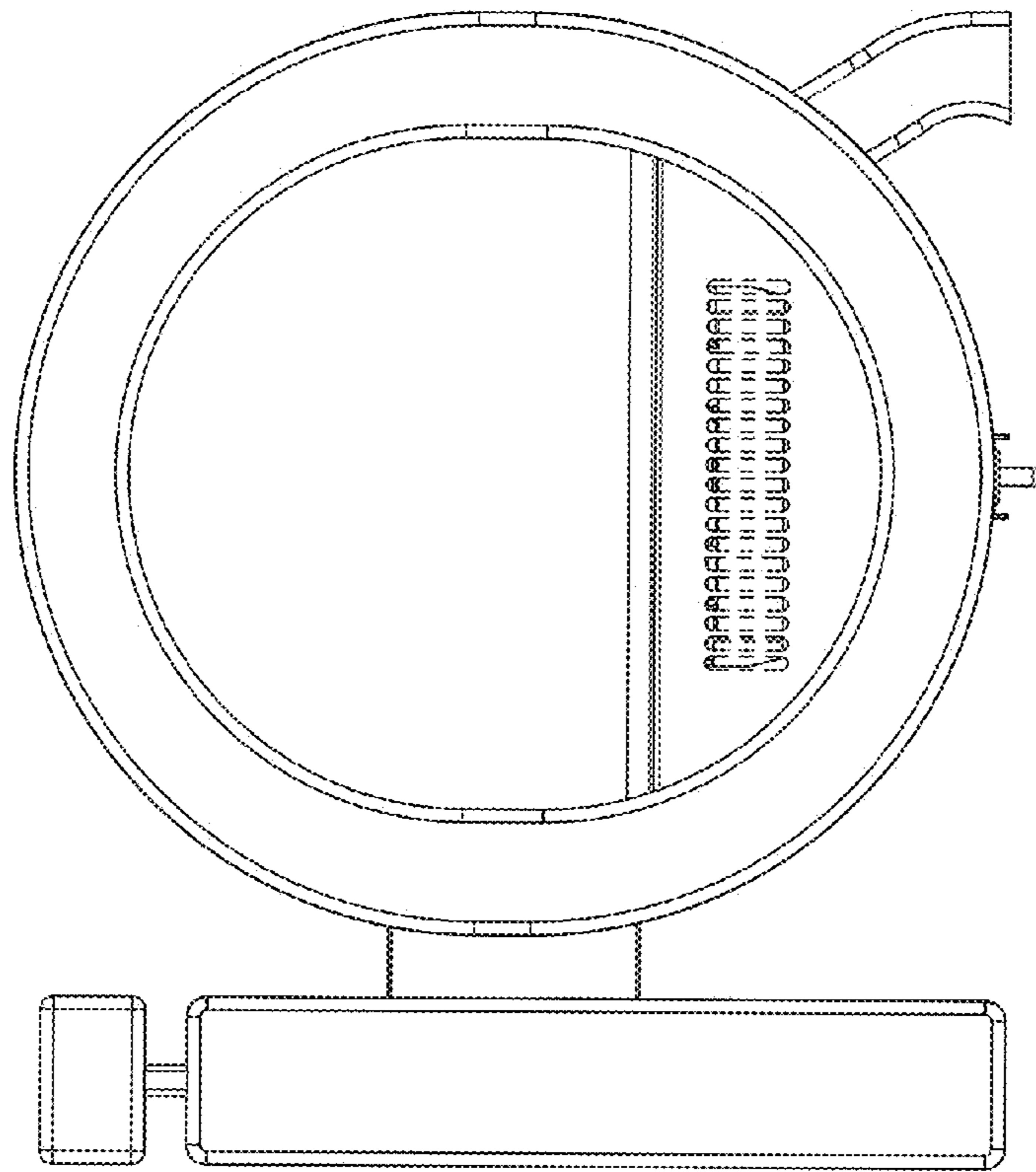


Figure 3

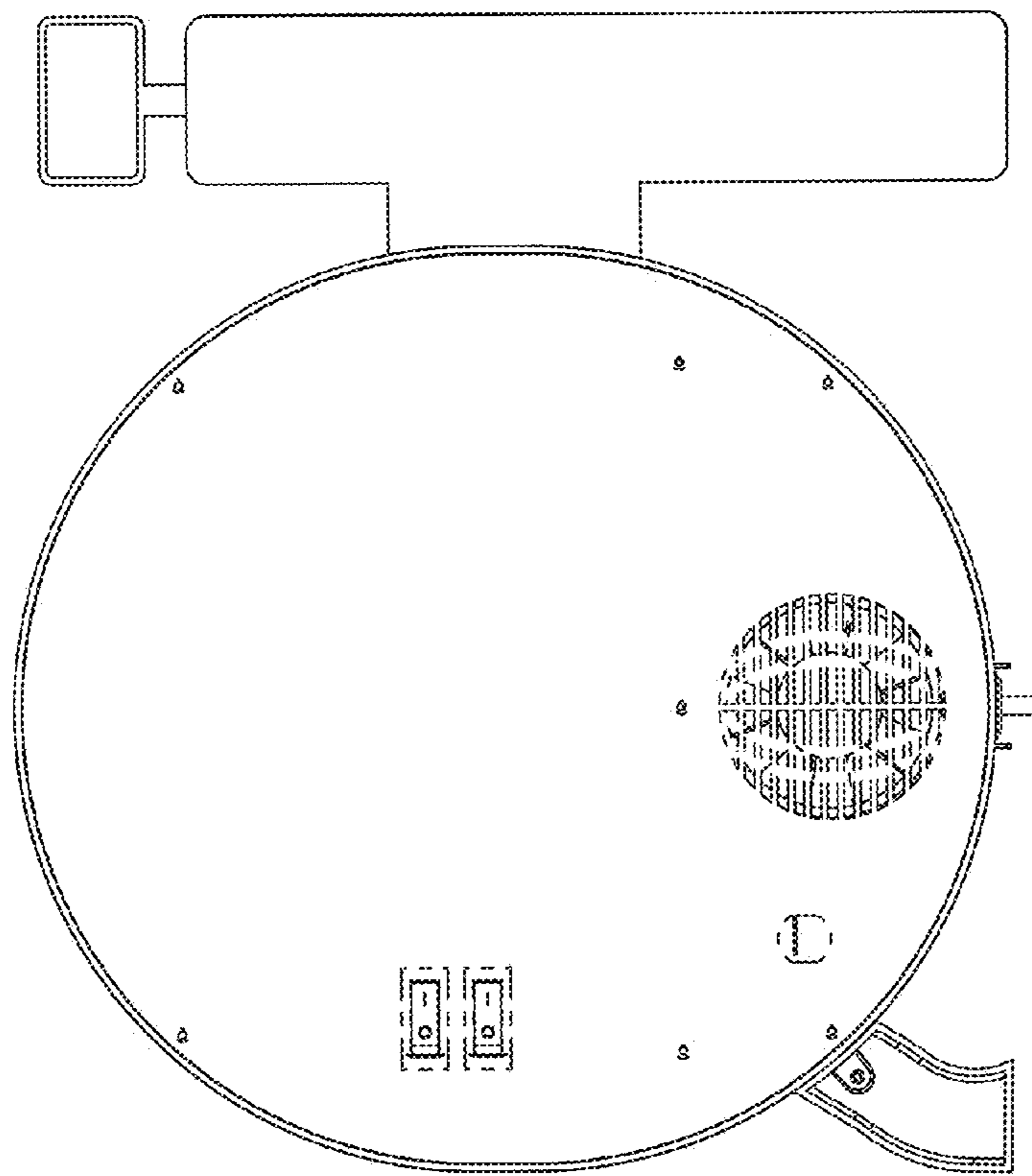


Figure 4

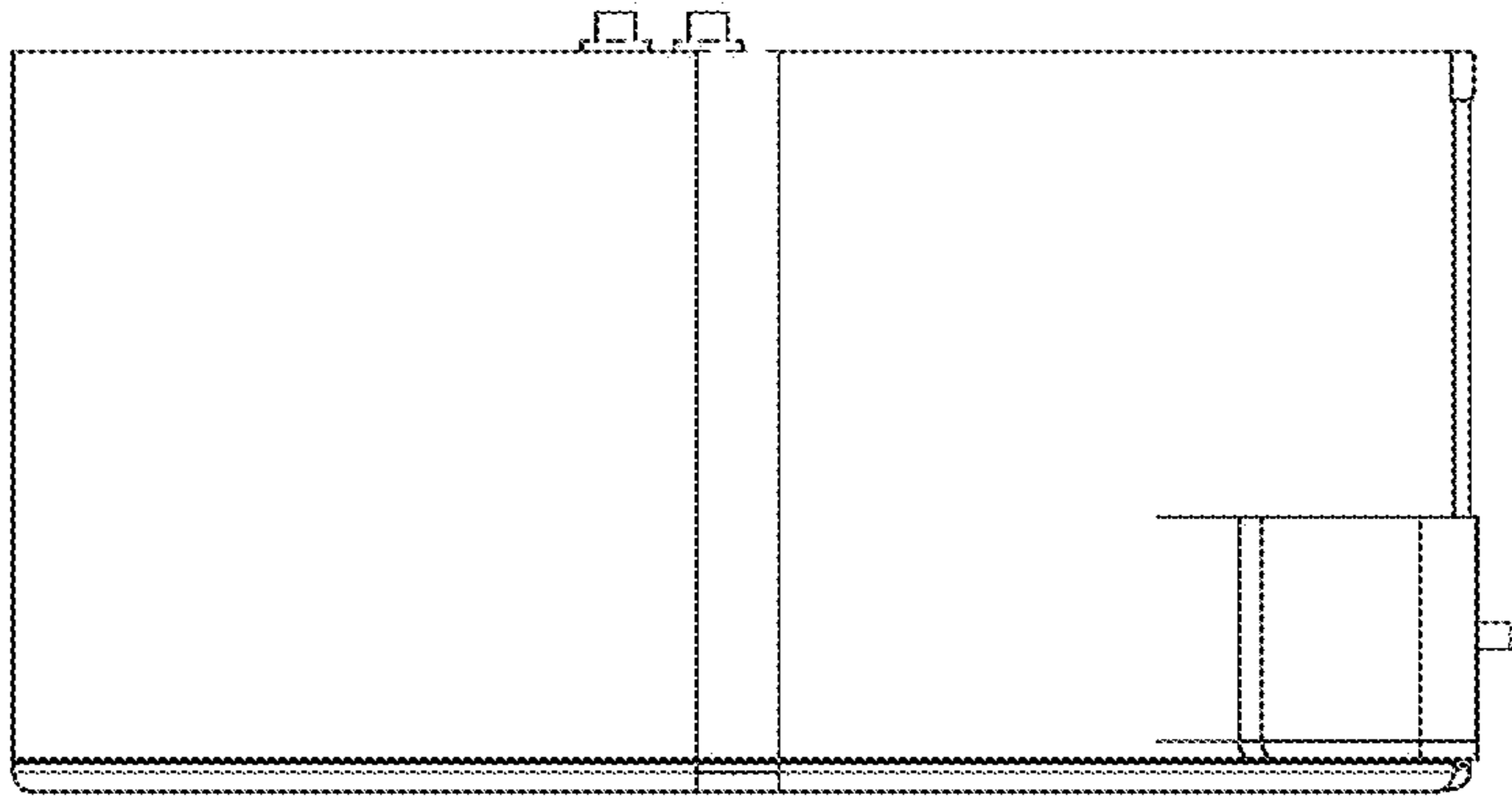


Figure 6



Figure 5

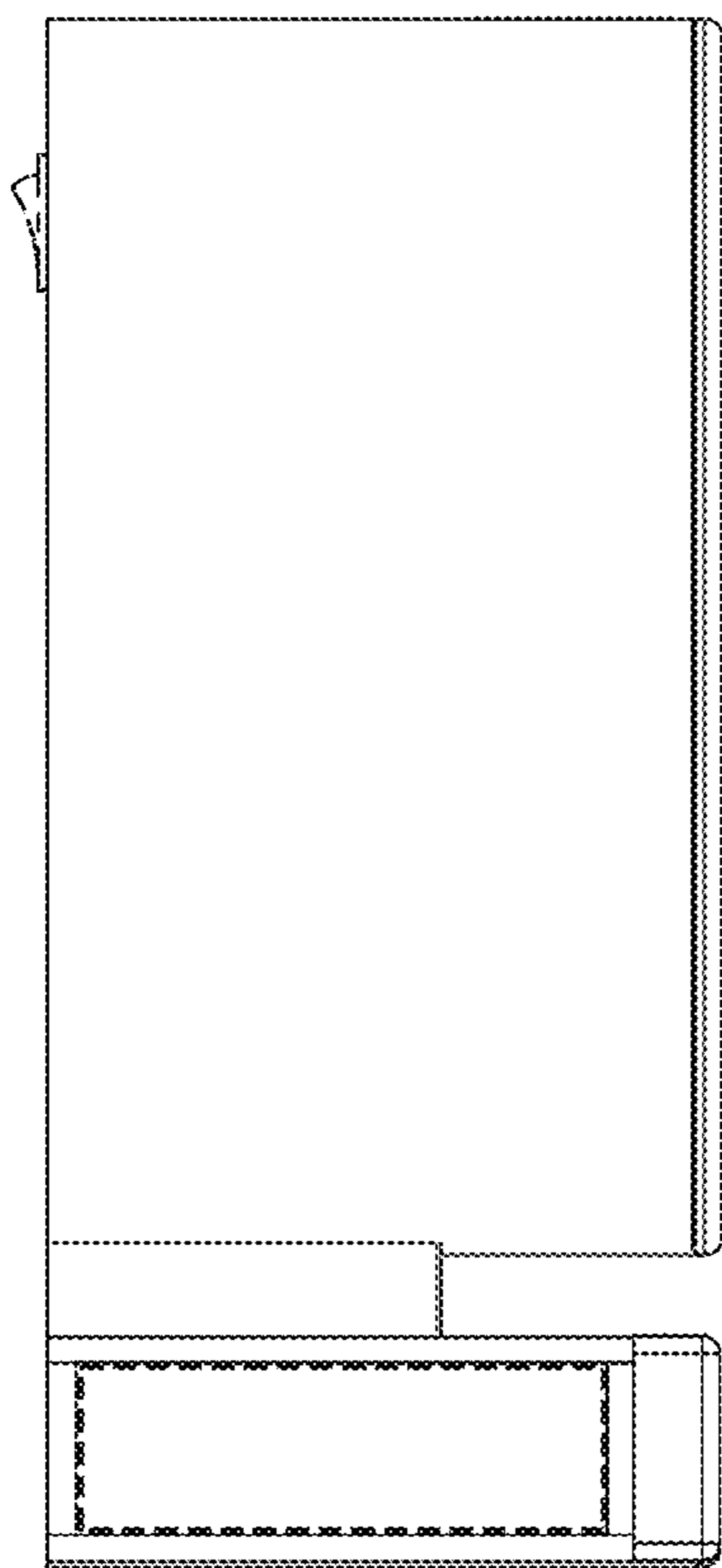


Figure 7

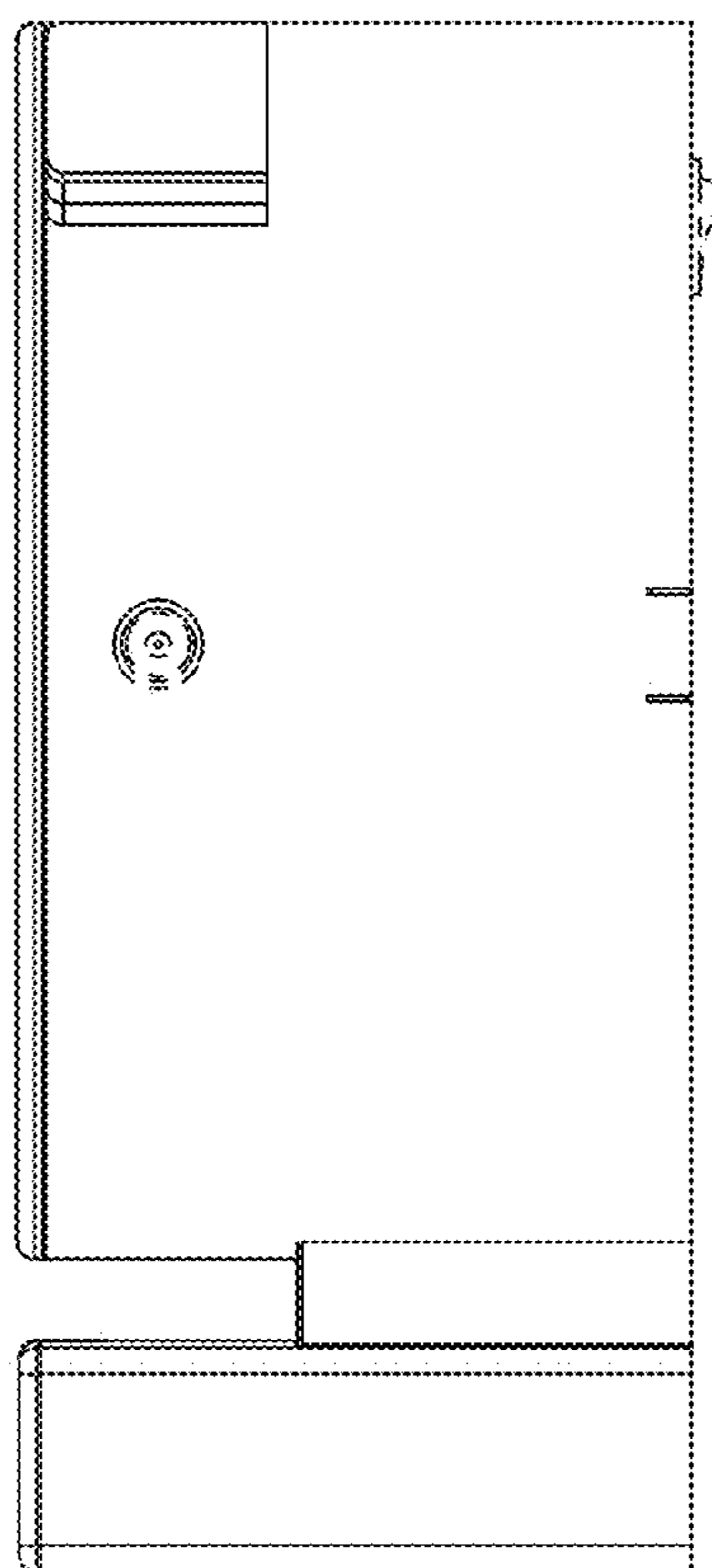


Figure 8