



US00D698010S

(12) **United States Design Patent**
Boyer

(10) **Patent No.:** **US D698,010 S**
(45) **Date of Patent:** **** Jan. 21, 2014**

(54) **GAS PRESSURE REGULATOR**

(71) Applicant: **Victor Equipment Company**, Denton,
TX (US)

(72) Inventor: **Robert A. Boyer**, Flower Mound, TX
(US)

(73) Assignee: **Victor Equipment Company**, Denton,
TX (US)

(**) Term: **14 Years**

(21) Appl. No.: **29/444,304**

(22) Filed: **Jan. 29, 2013**

(51) **LOC (10) Cl.** **23-01**

(52) **U.S. Cl.**
USPC **D23/235**

(58) **Field of Classification Search**
USPC D23/233-237, 244-249; D24/110.6;
D10/46, 85, 98, 102, 122-127;
137/505.42, 557, 382

See application file for complete search history.

(56) **References Cited**

U.S. PATENT DOCUMENTS

D153,063 S *	3/1949	Hammon	D23/235
D153,064 S *	3/1949	Hammon	D23/235
D259,734 S *	6/1981	Cerrato	D23/235
D288,469 S *	2/1987	Pryor	D23/235
D318,318 S *	7/1991	Datta et al.	D23/235
D678,476 S *	3/2013	Shumway	D23/235
D686,699 S *	7/2013	Evans et al.	D23/233

* cited by examiner

Primary Examiner — Cynthia Ramirez

(74) *Attorney, Agent, or Firm* — Brinks Gilson & Liono

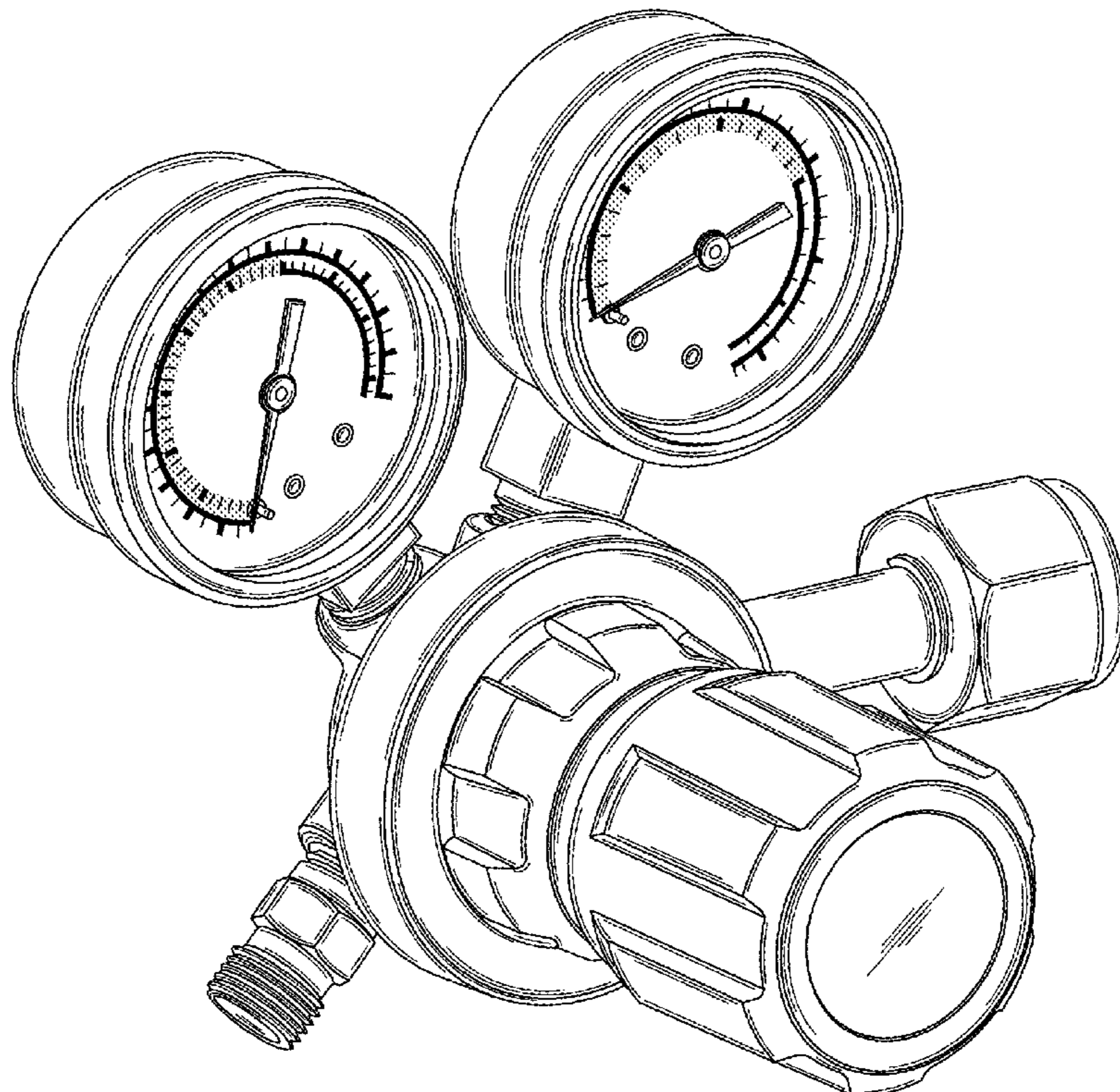
(57) **CLAIM**

The ornamental design for a gas pressure regulator, as shown and described.

DESCRIPTION

FIG. 1 is a top perspective view of the gas pressure regulator; FIG. 2 is another top perspective view thereof; FIG. 3 is a front view thereof; FIG. 4 is rear view thereof; FIG. 5 is a left side view thereof; FIG. 6 is a right side view thereof; FIG. 7 is a top view thereof; and, FIG. 8 is a bottom view thereof.

1 Claim, 8 Drawing Sheets



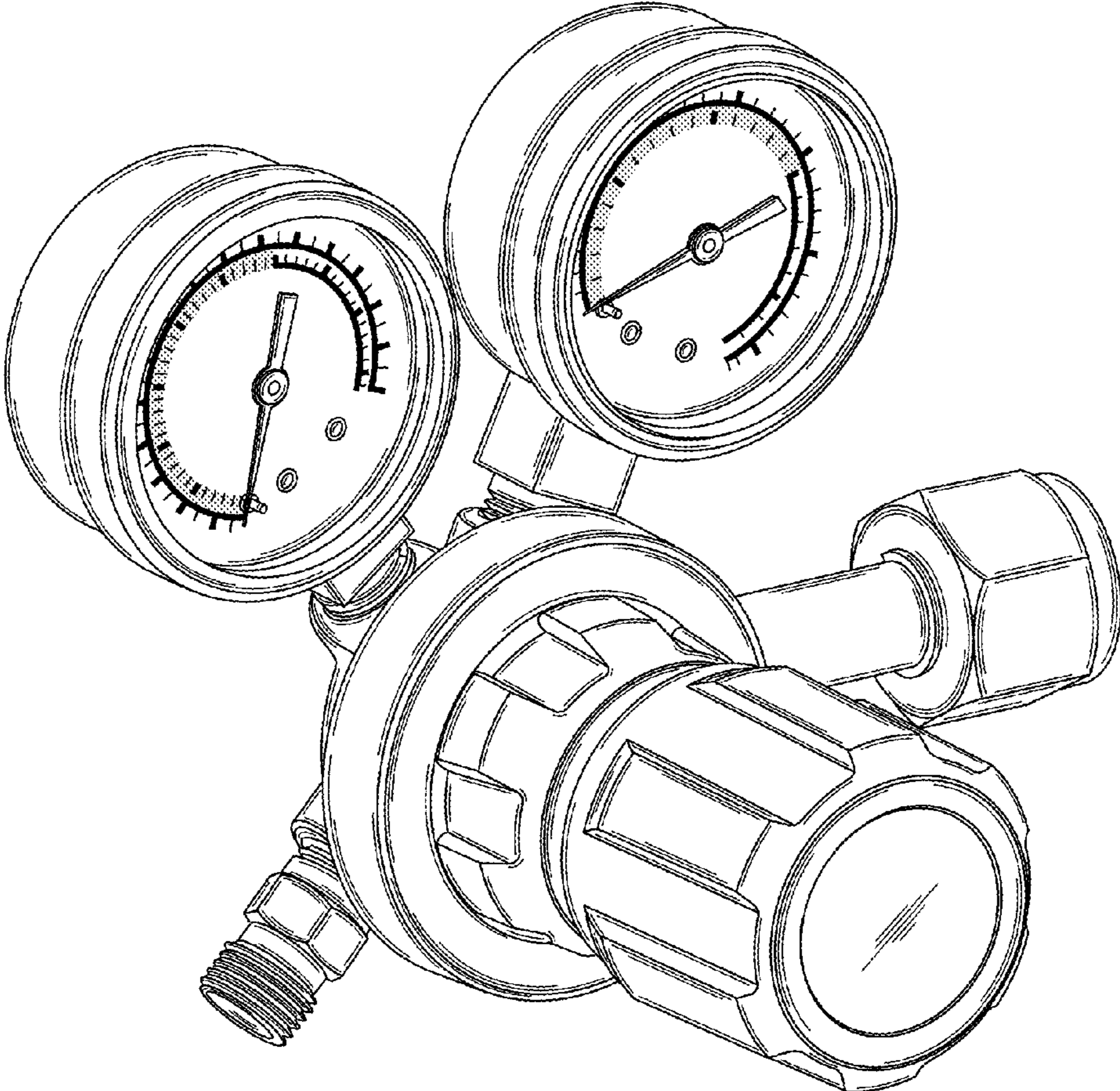


FIG. 1

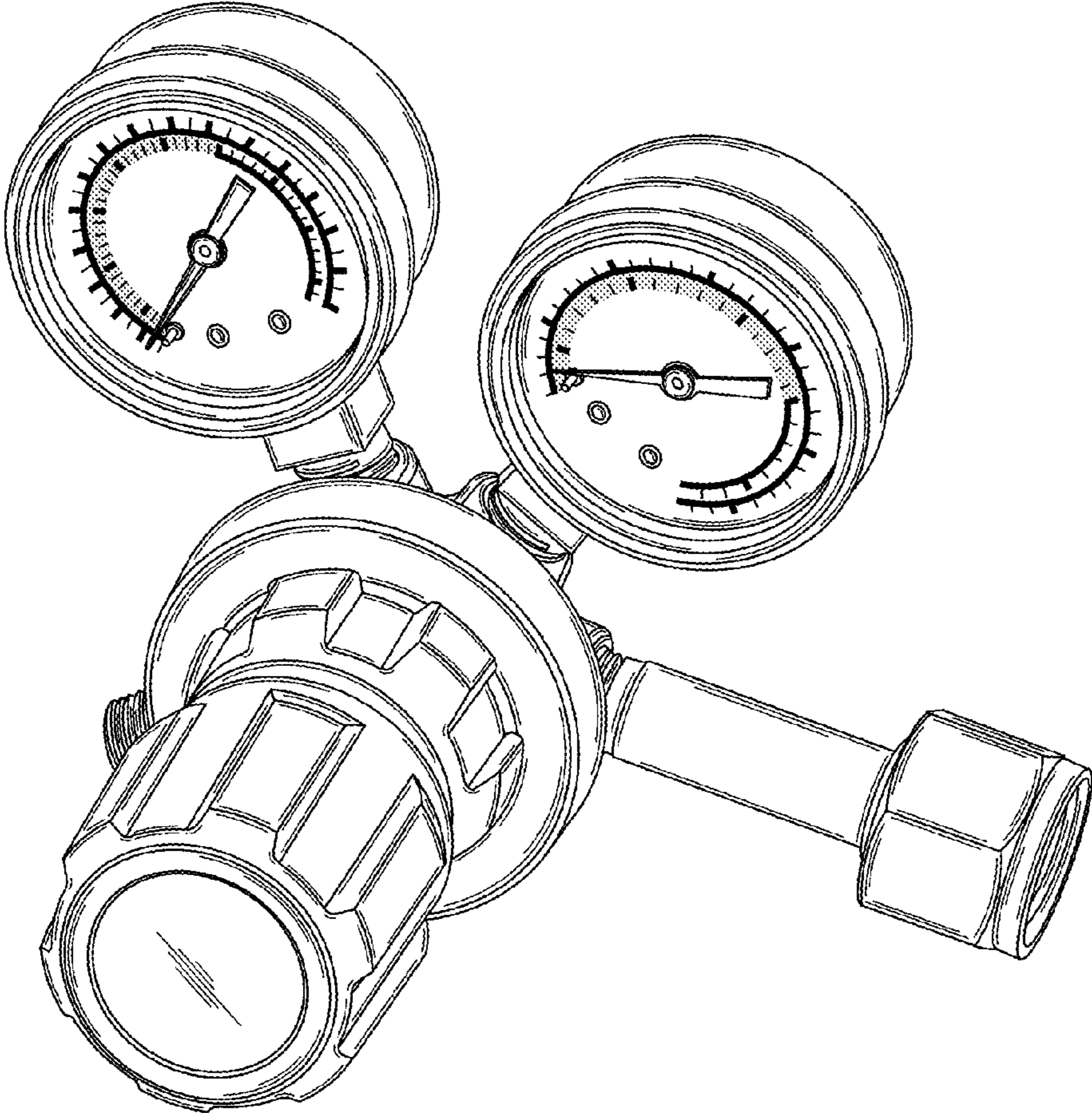


FIG. 2

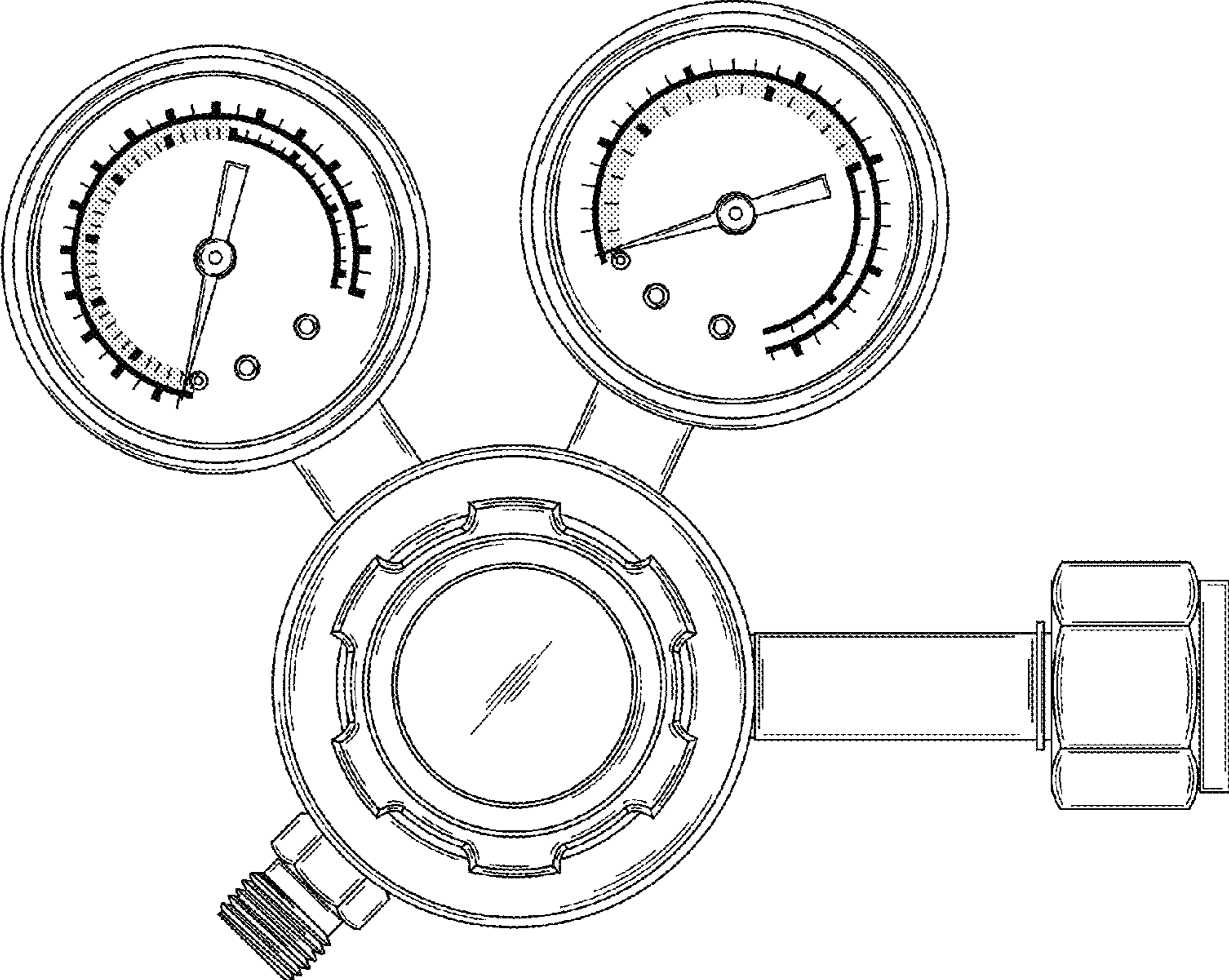


FIG. 3

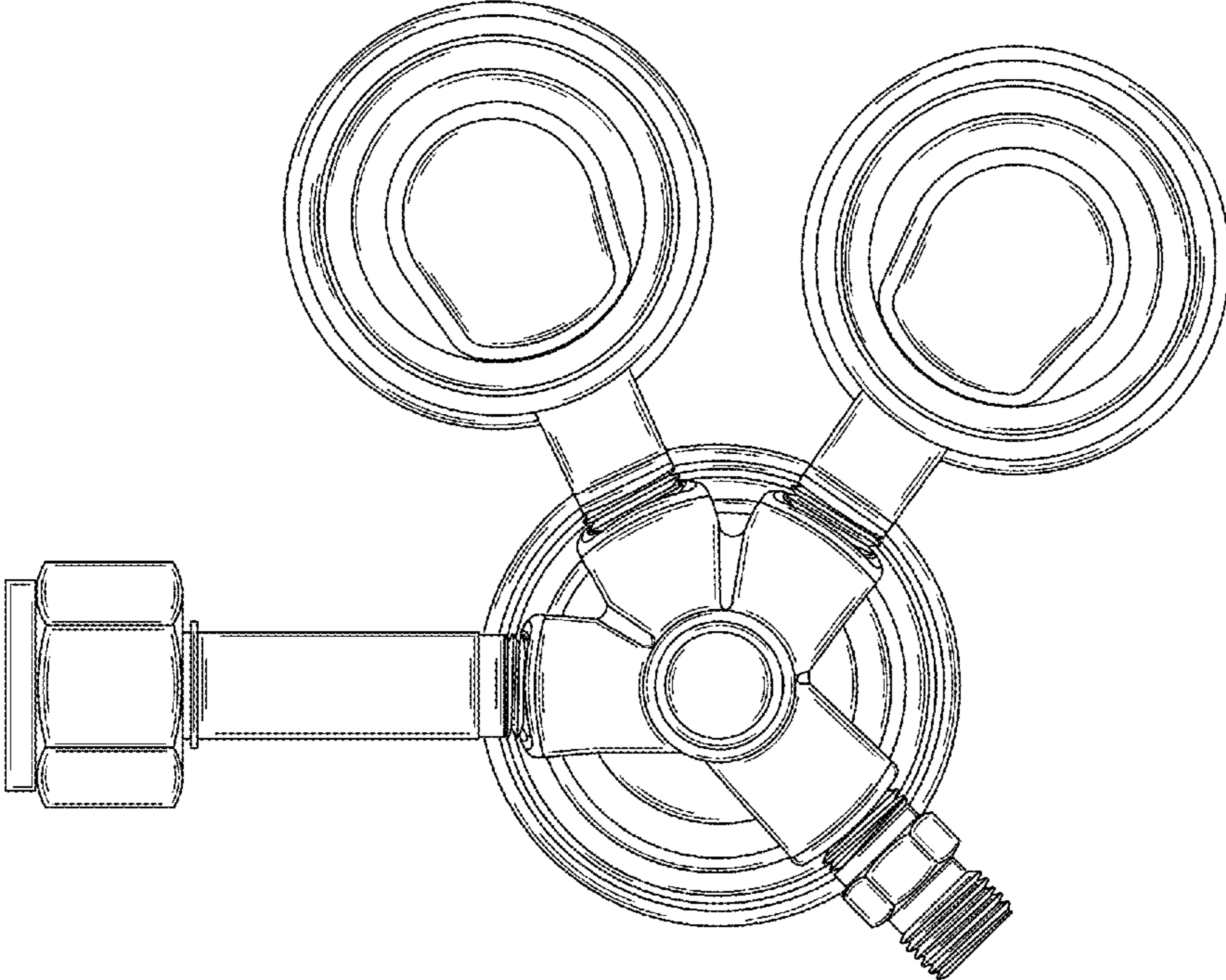


FIG. 4

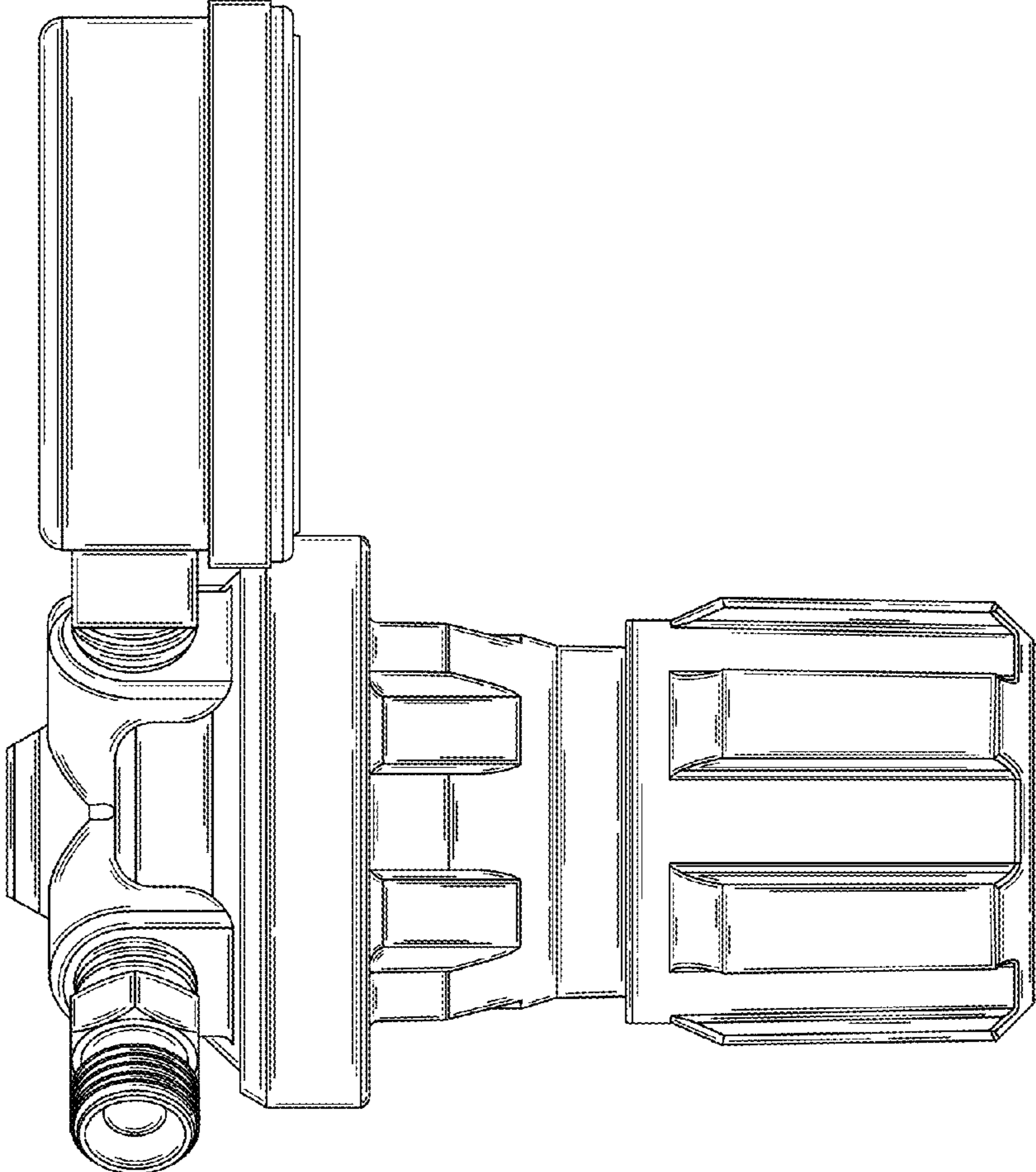


FIG. 5

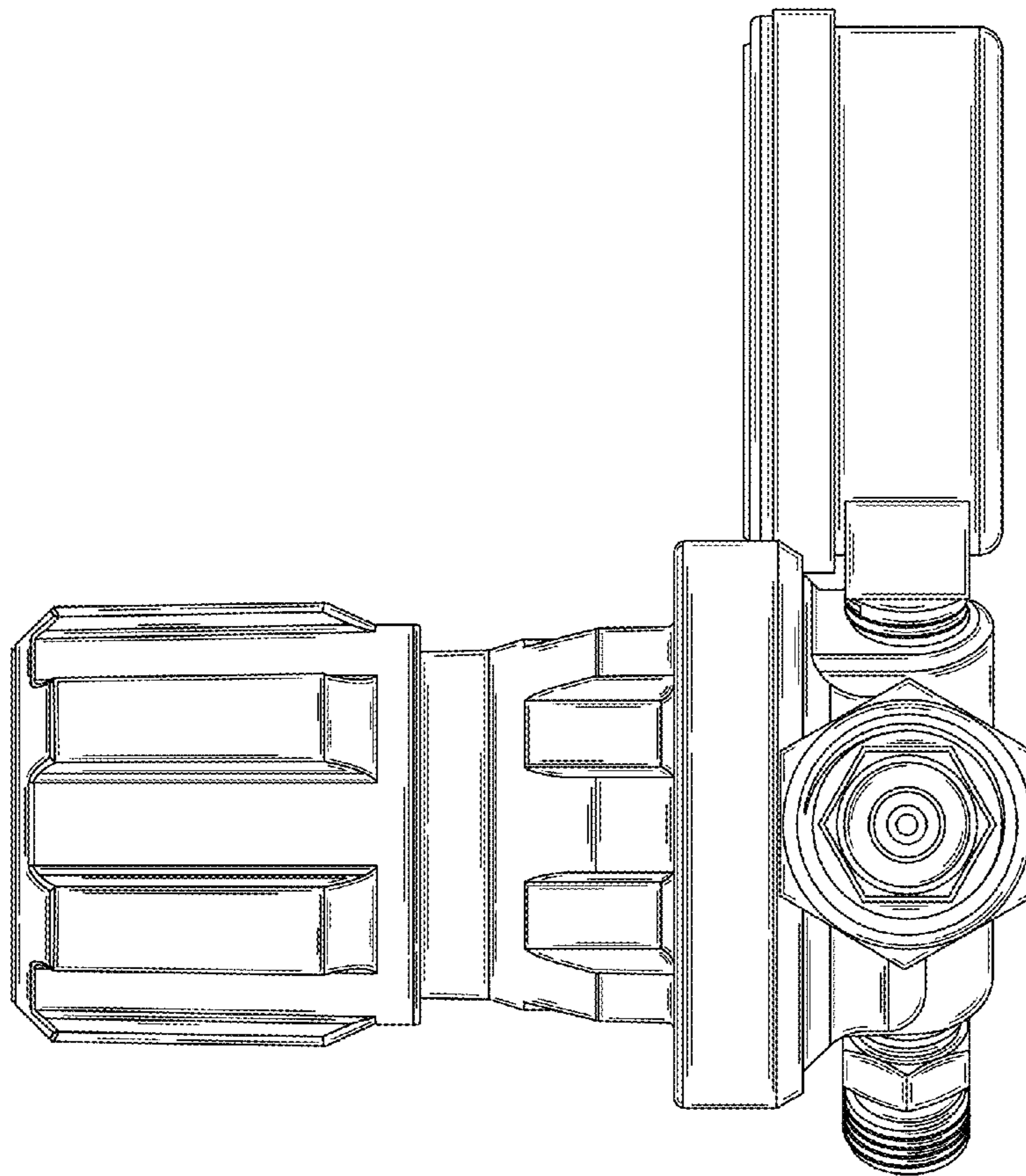


FIG. 6

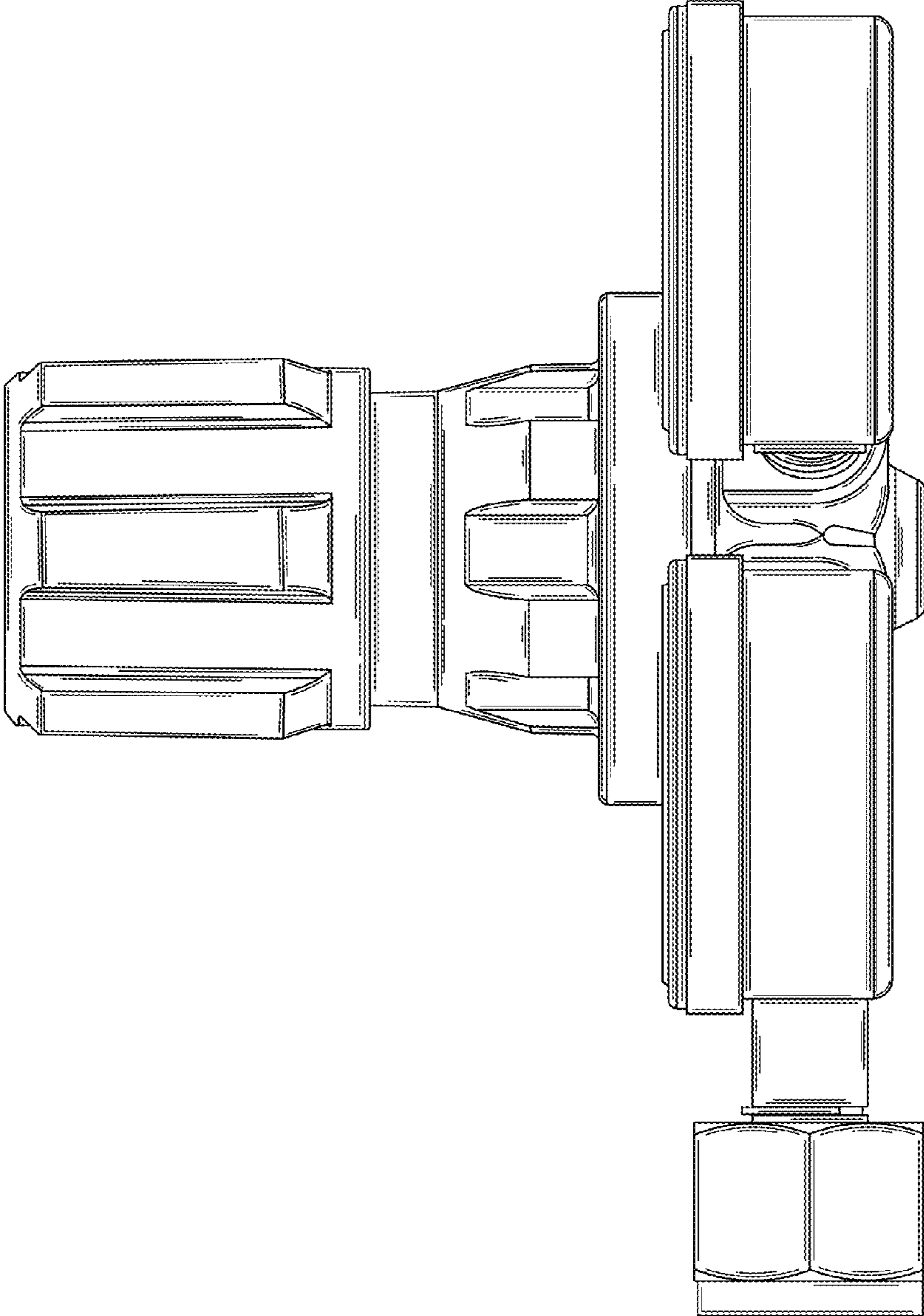


FIG. 7

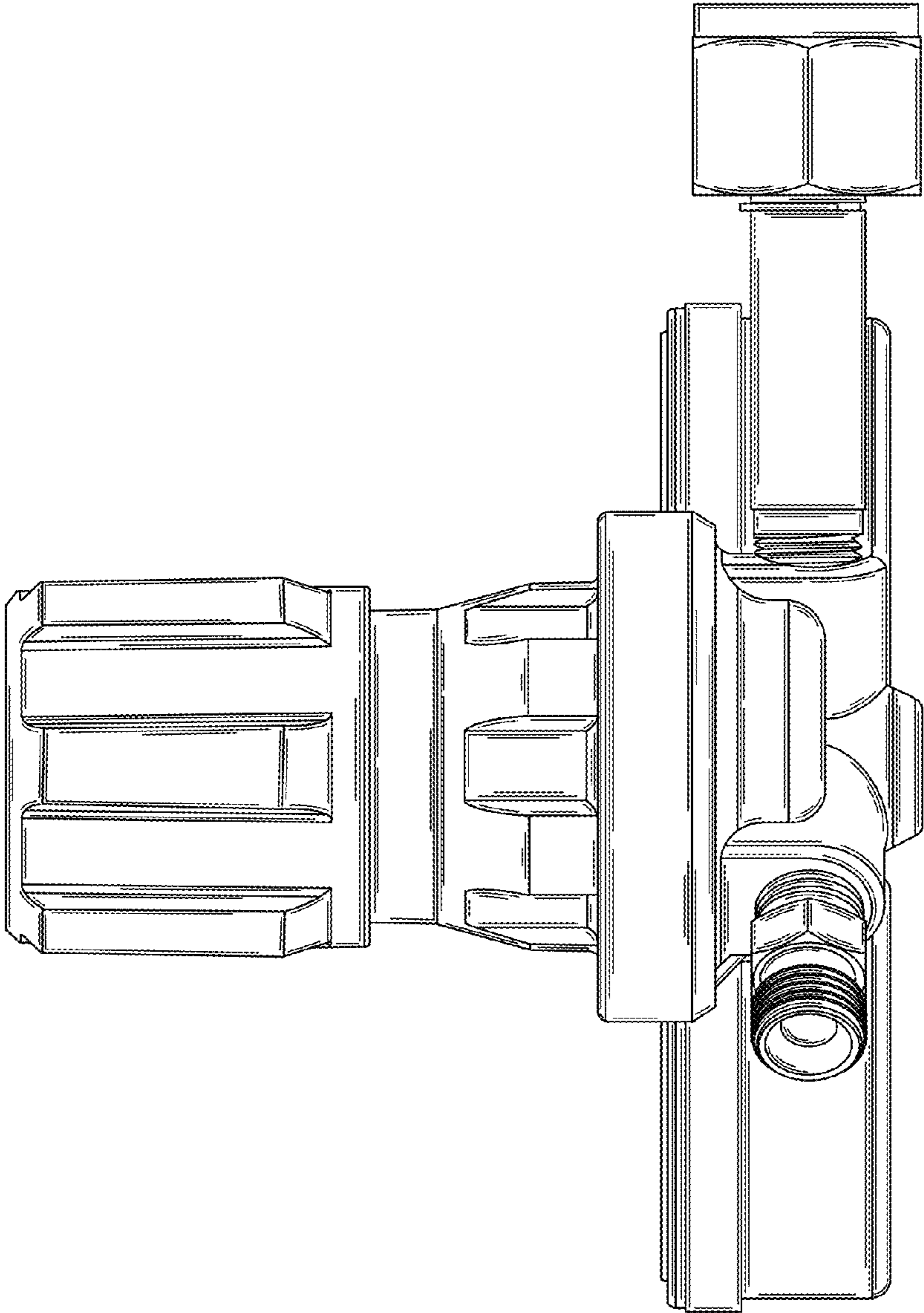


FIG. 8